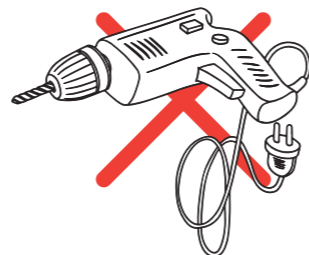


To deodorize the leather, leave the chair in a shaded and well-ventilated outdoor area for 1-2 days.



For long-term use, periodically re-tighten all bolts with the provided hex wrench. Do not use an electric screwdriver, as it may damage the chair. Always tighten the bolts manually.

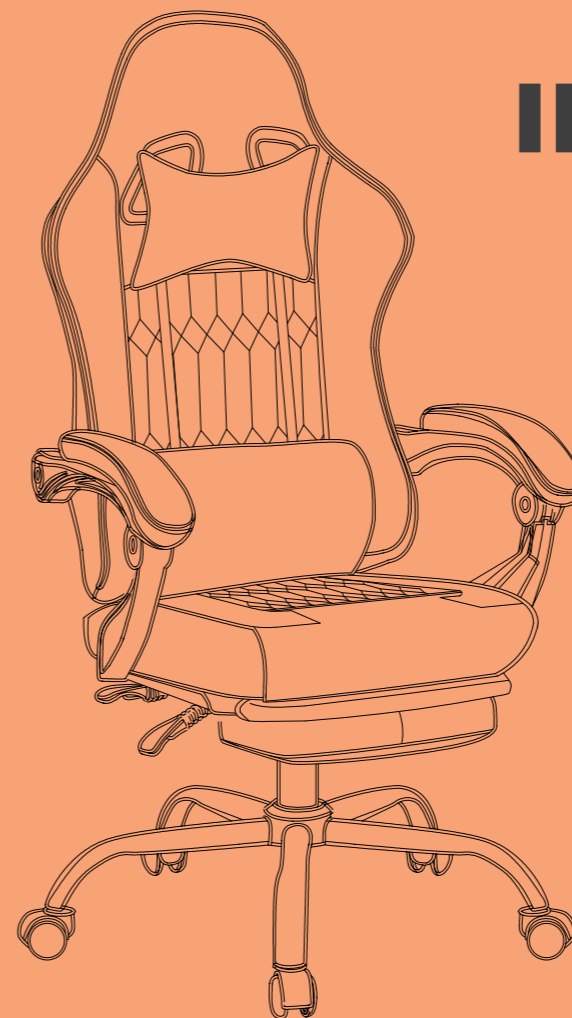


Safety Information



INSTRUCTION MANUAL

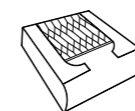
INSTRUCTION MANUAL



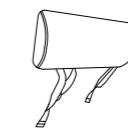
Parts List



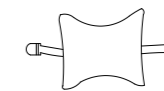
(A)*1



(B)*1



(C)*1



(D)*1



(E)*2



(F)*1



(G)*1



(H)*2



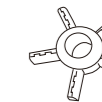
(I)*5



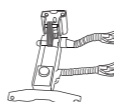
(J)*1



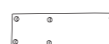
(K)*5



(L)*1



(M)*1



(N)*1



(O)*6

M6*25mm



(P)*4

M8*25mm



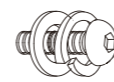
(Q)*8

M8*20mm



(R)*10

M6*10mm



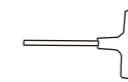
(S)*4

M8*40mm



(T)*1

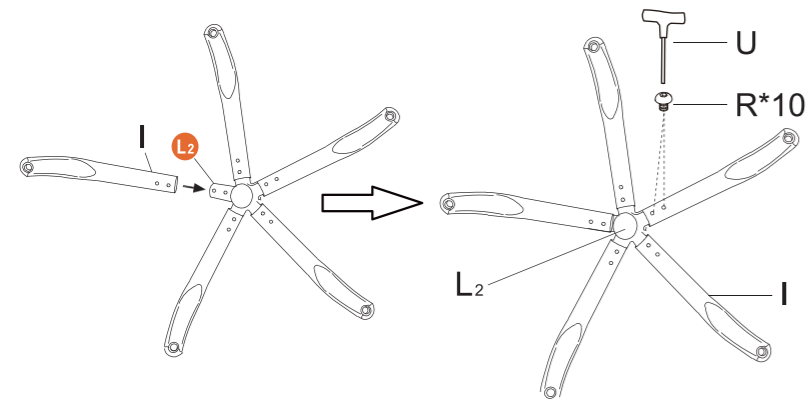
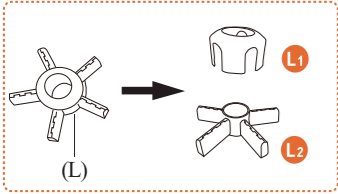
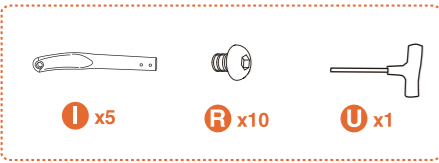
M5*10mm



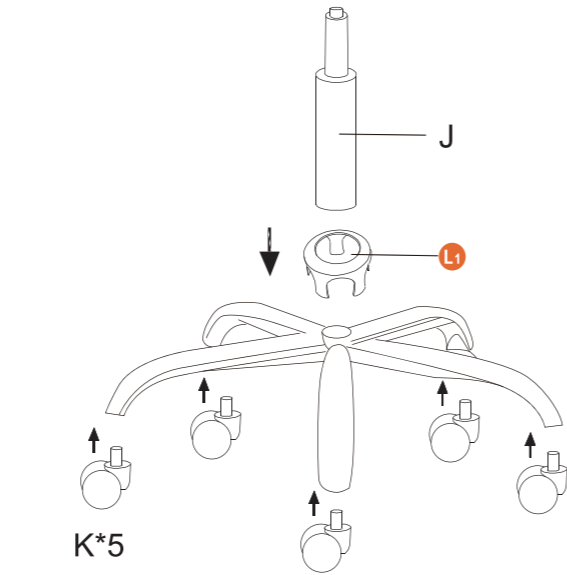
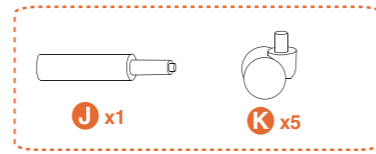
(U)*1

Assembly Instruction

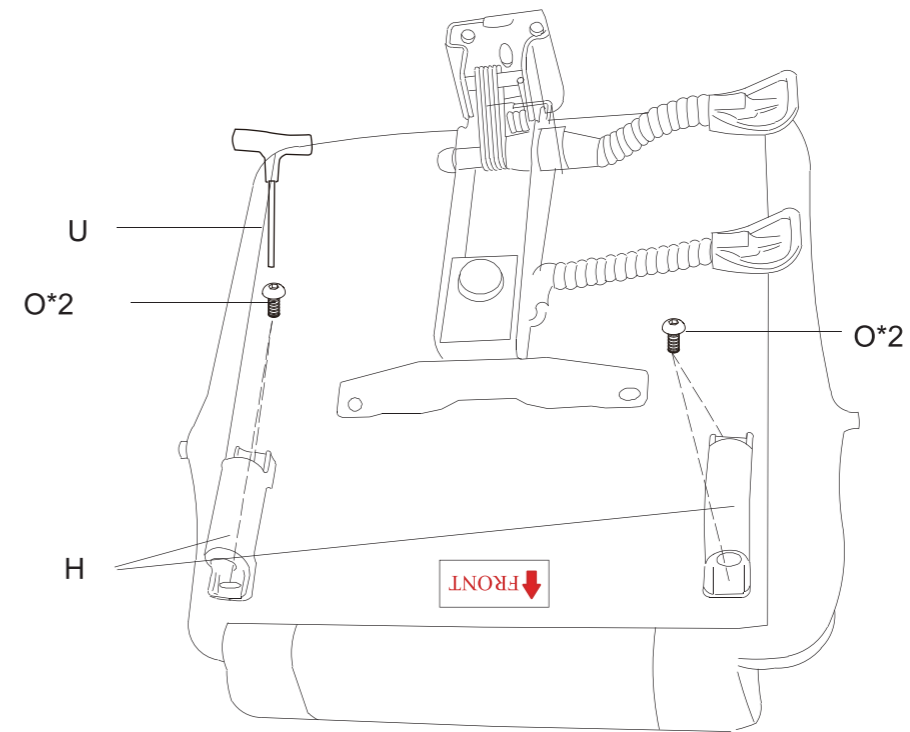
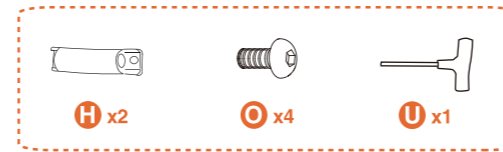
Step 1



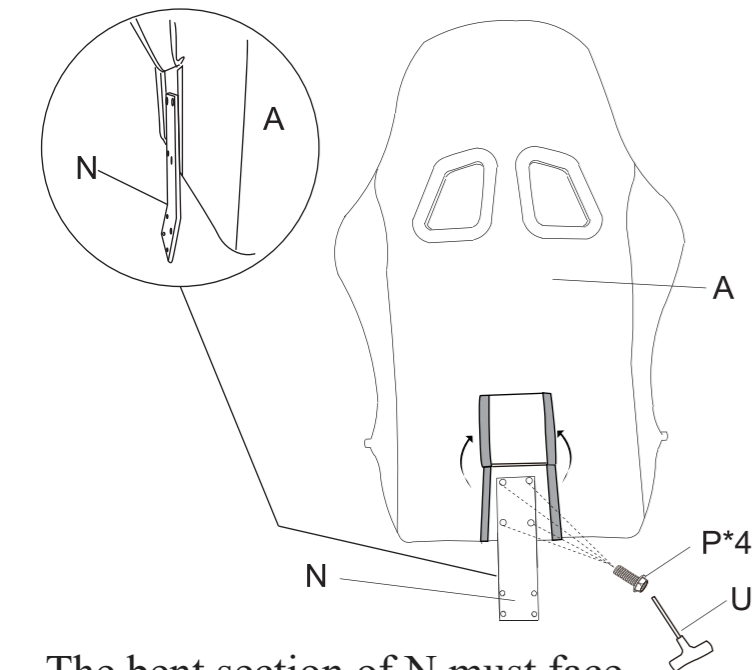
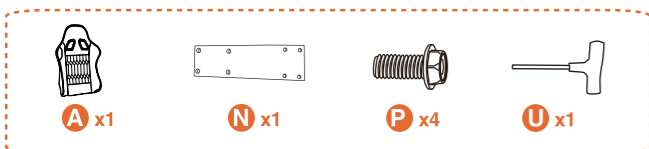
Step 2



Step 5

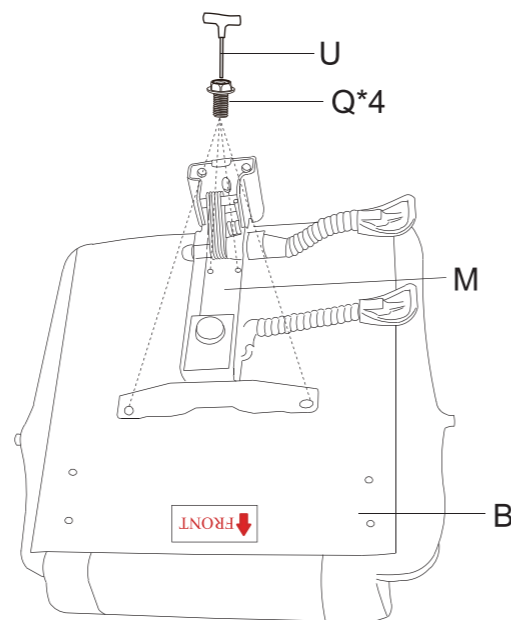
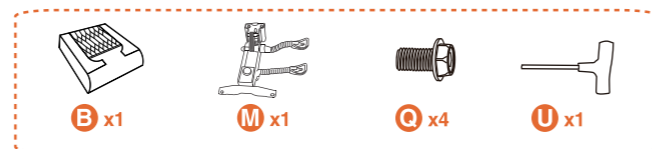


Step 3

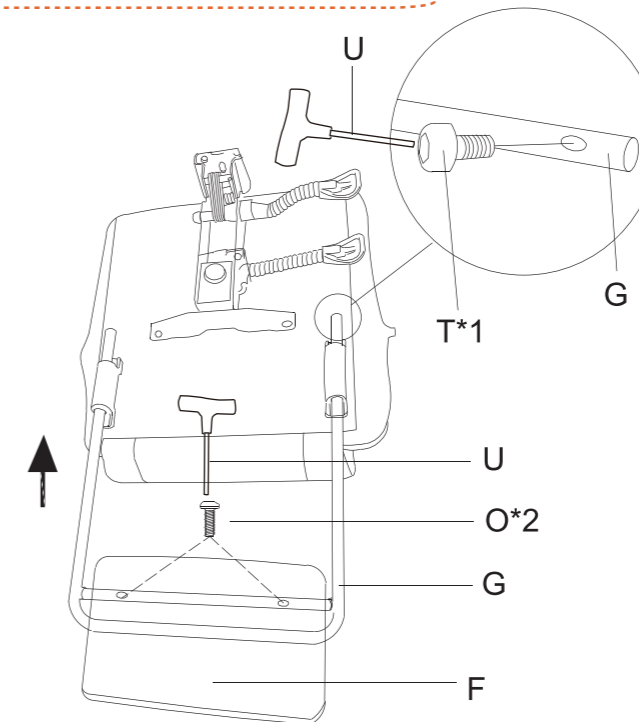
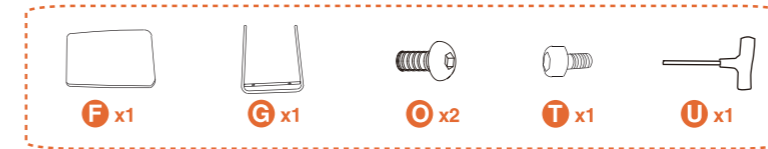


The bent section of N must face the direction shown in the illustration.

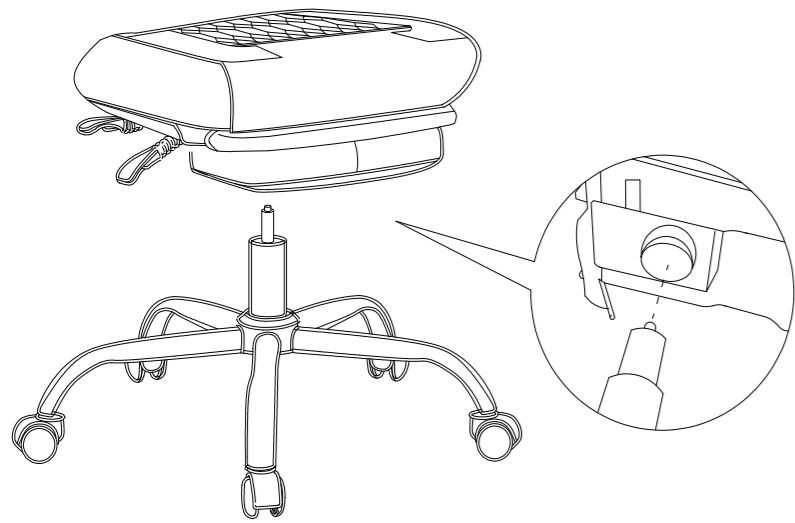
Step 4



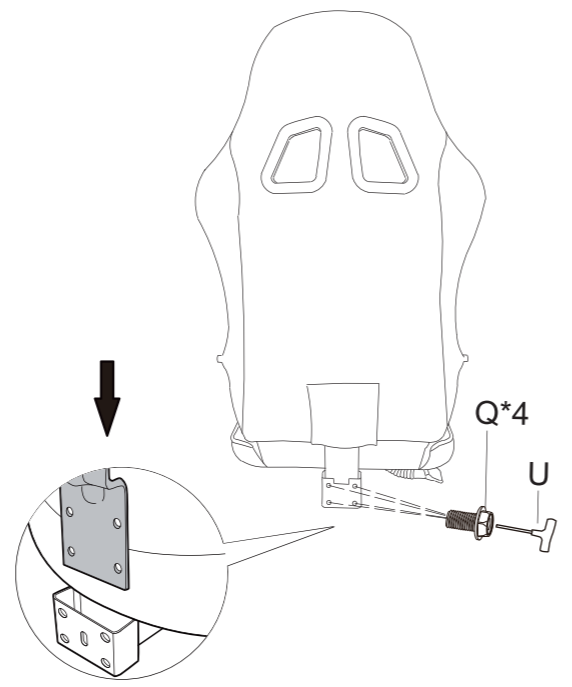
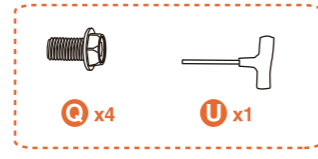
Step 6



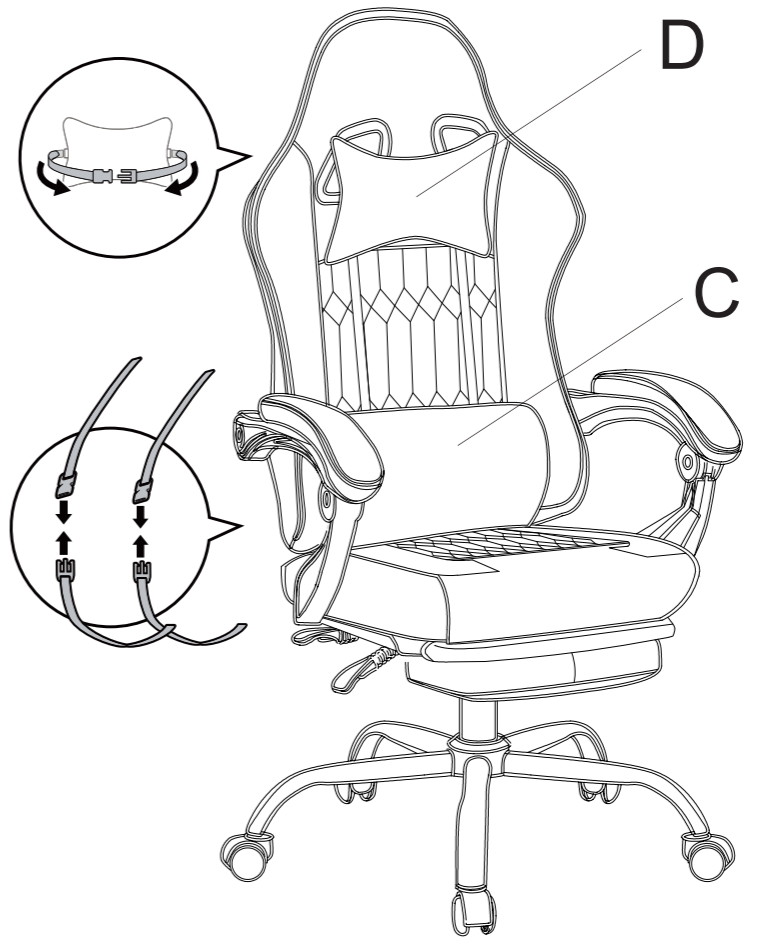
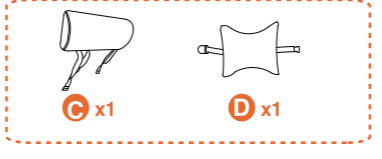
Step 7



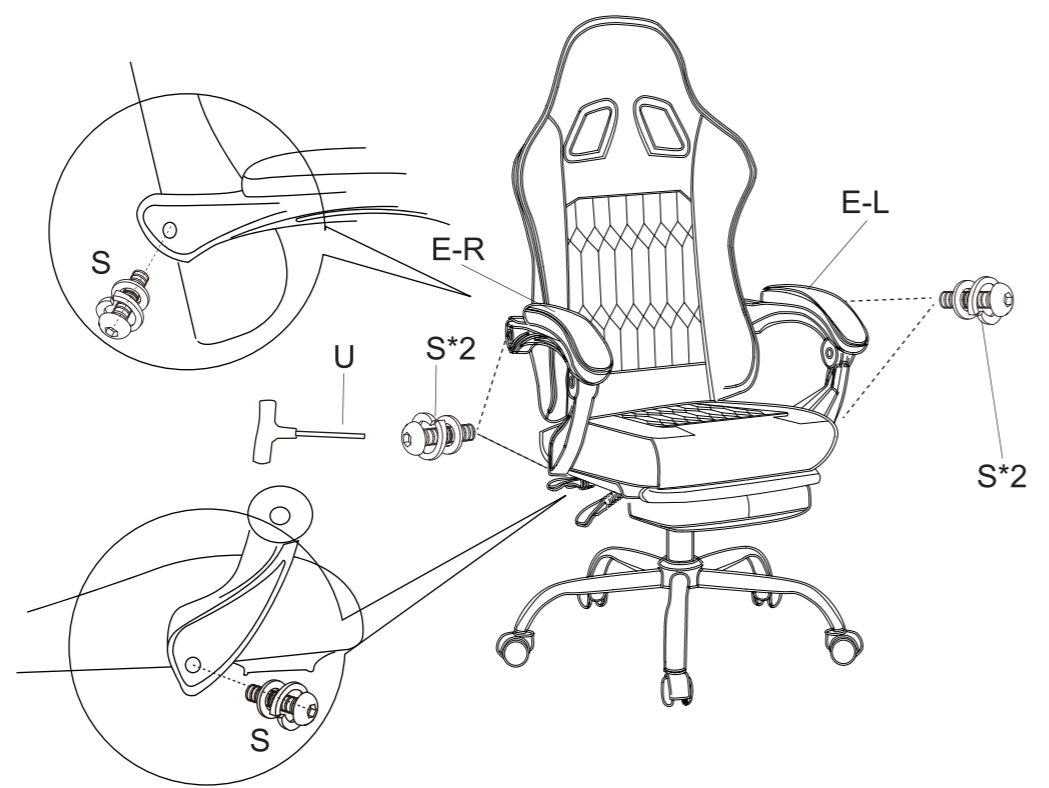
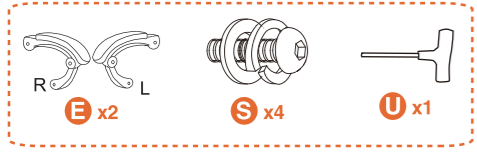
Step 8



Step 10



Step 9



Instructions For Use



NOTE:

Do not fully tighten the bolts until installation is complete.

CAUTION:

* Before use, ensure all bolts are fully tightened.