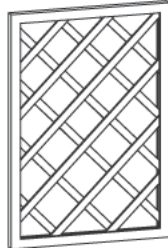
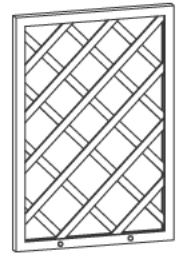

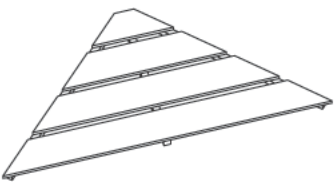

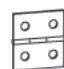





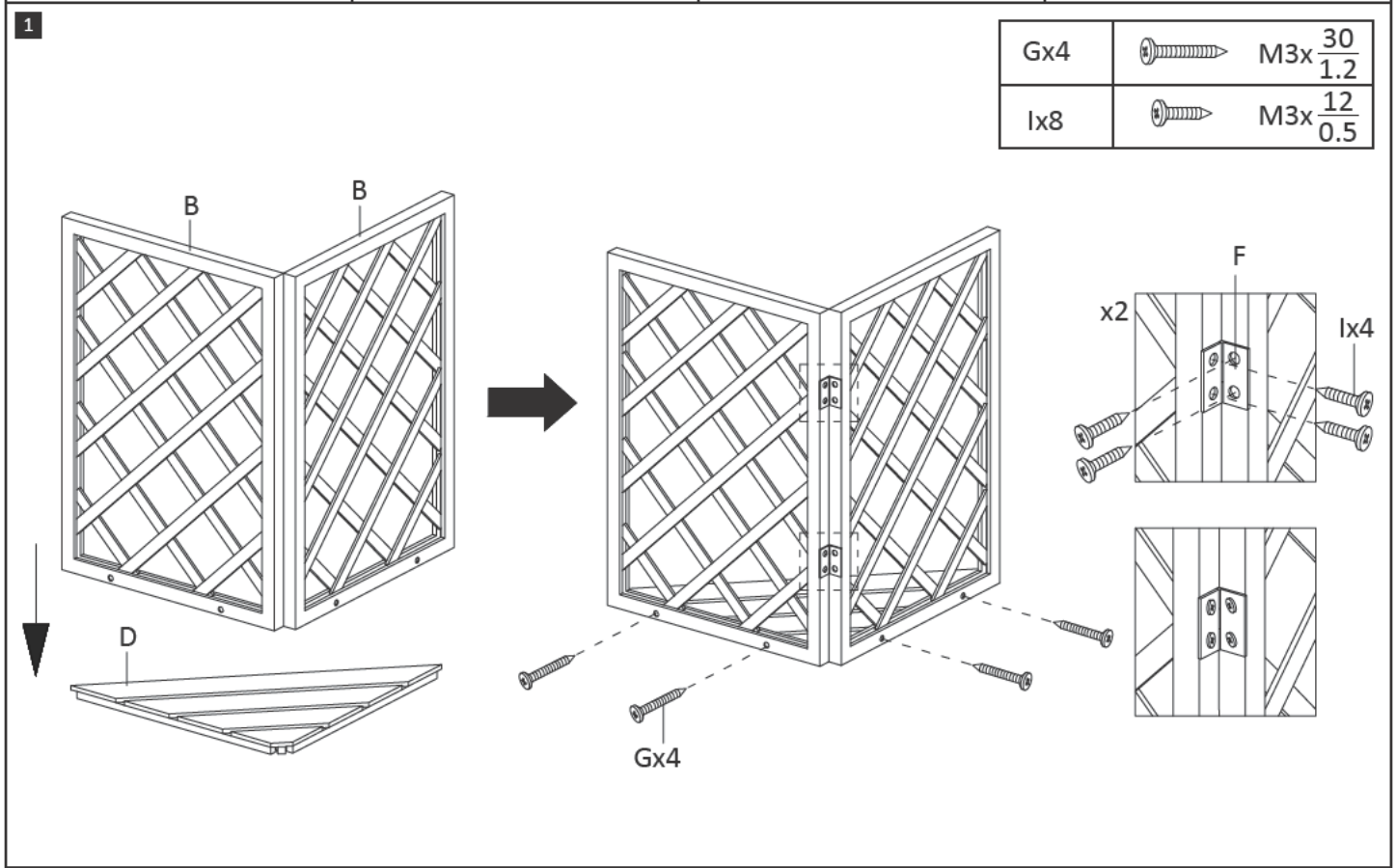
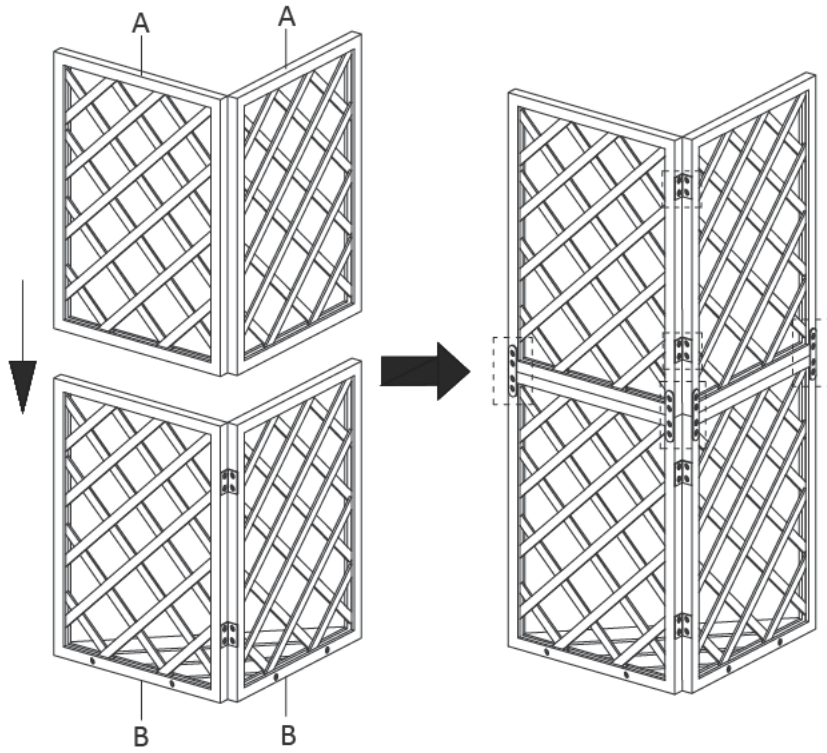




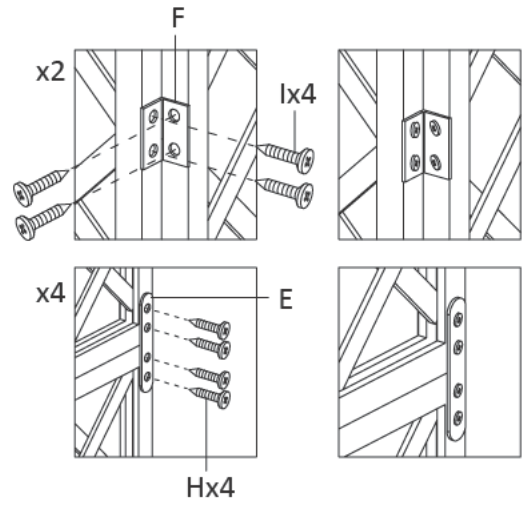
<p>Ax2</p> 	<p>Bx2</p> 	<p>Cx1</p> 	<p>Dx1</p> 
<p>Ex4</p> 	<p>Fx4</p> 	<p>Gx4</p>  <p>M3x $\frac{30}{1.2}$</p>	<p>Hx20</p>  <p>M3x $\frac{20}{0.8}$</p>
<p>Ix16</p>  <p>M3x $\frac{12}{0.5}$</p>		 <p>mm inch</p> <p>x2</p>	



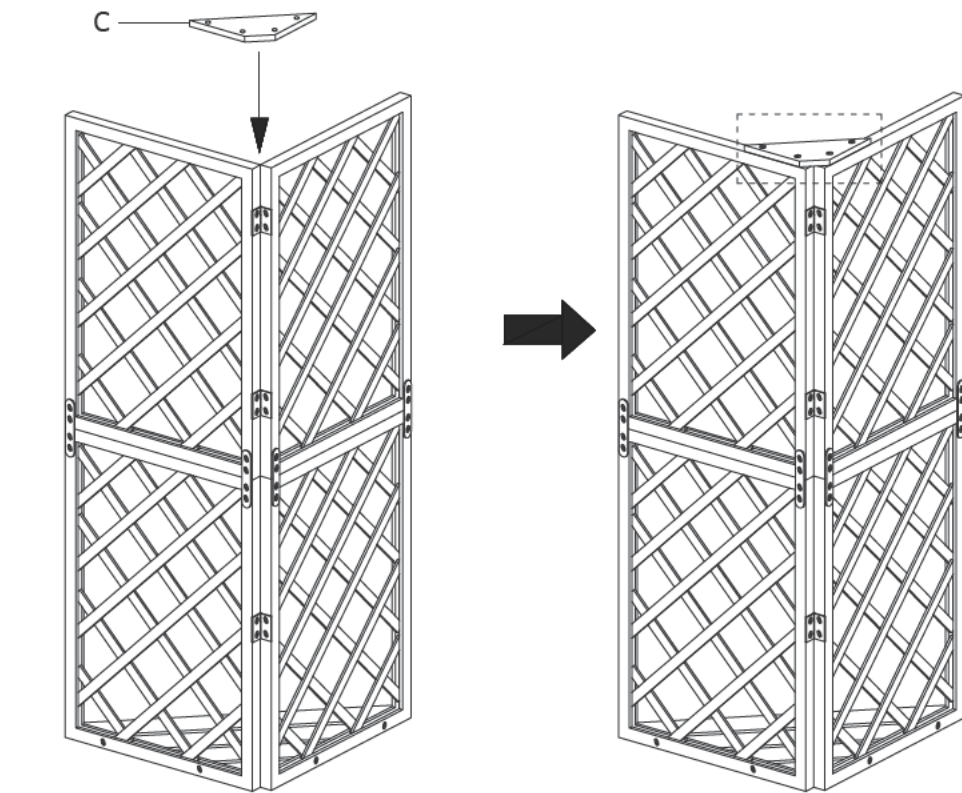
2




Hx16		M3x $\frac{20}{0.8}$
lx8		M3x $\frac{12}{0.5}$



3



Hx4		M3x $\frac{20}{0.8}$
-----	---	----------------------

