

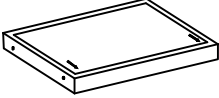
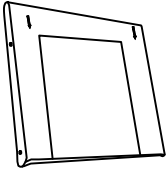
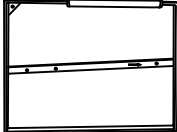
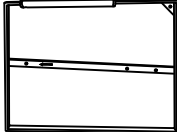
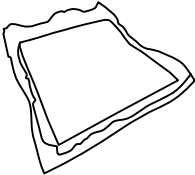
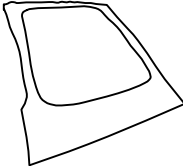
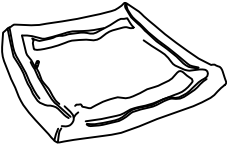
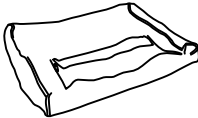




Assembly Instructions

Your recliner comes packaged in one box. Carefully remove all of components from the packaging and set aside for assembly.

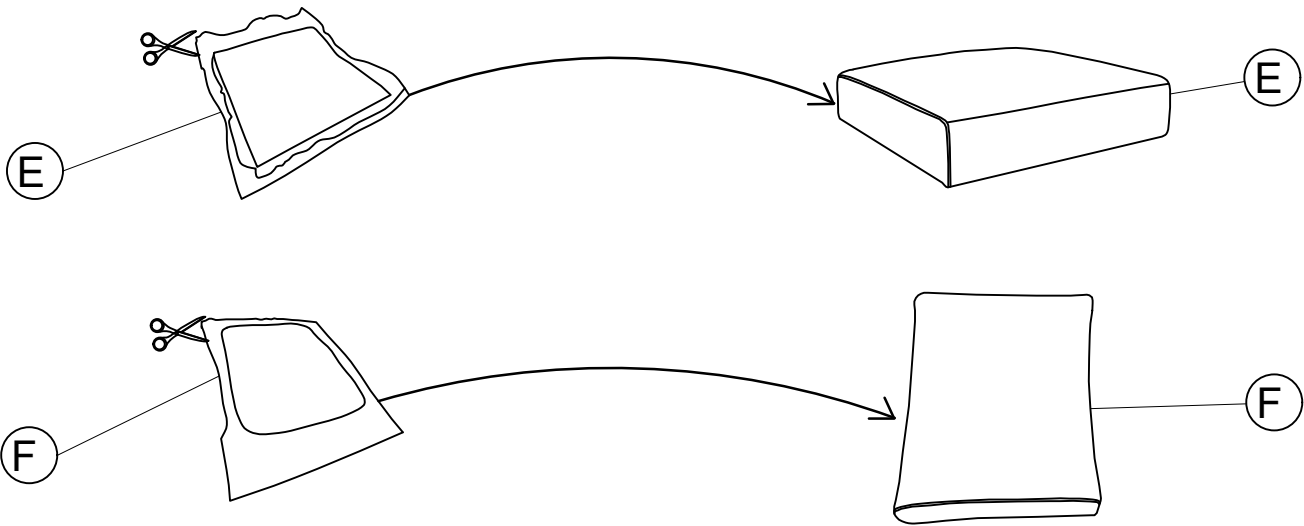
CAUTION:

DO NOT use any sharp objects to open plastic wrapped components as damage to product or components may result.

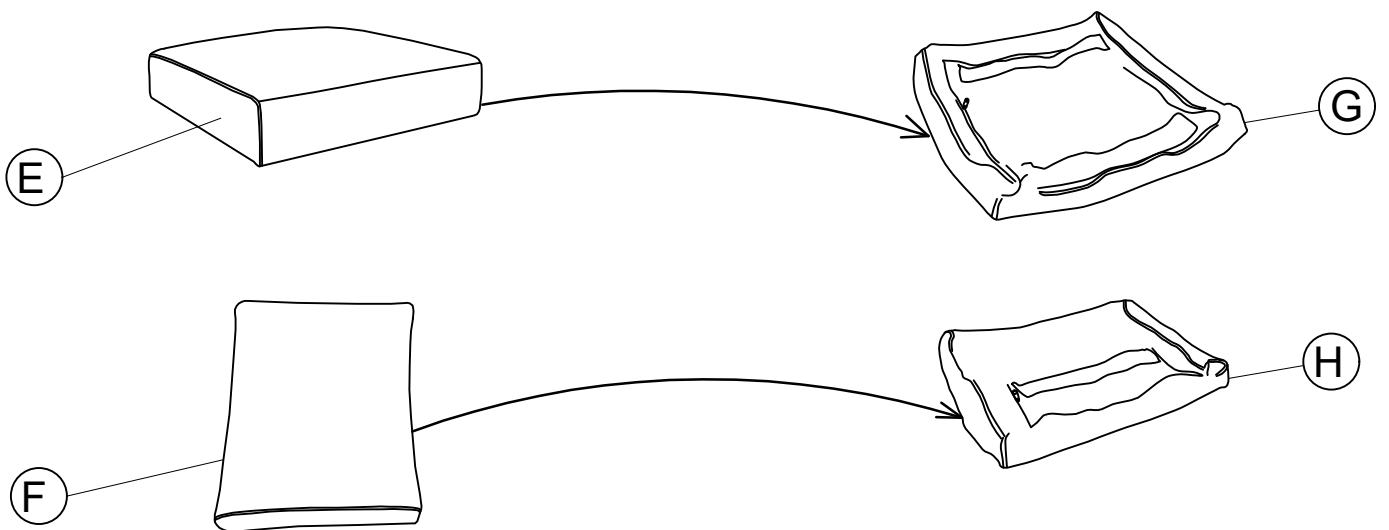
Package Contents

				
A 1* Chair Seat	B 1* Chair Back	C 1* Left Armrest	D 1* Right Armrest	E 1* Compression Cushion Liner
				
F 1* Compression Back Cushion Liner	G 1* Cushion Leather Cover	H 1* Back Cushion Leather Cover		
				
I 8* Bolts 5/16*40mm	J 8* Flat Washers	K 8* Lock Washers	L 1* Allen Wrench	

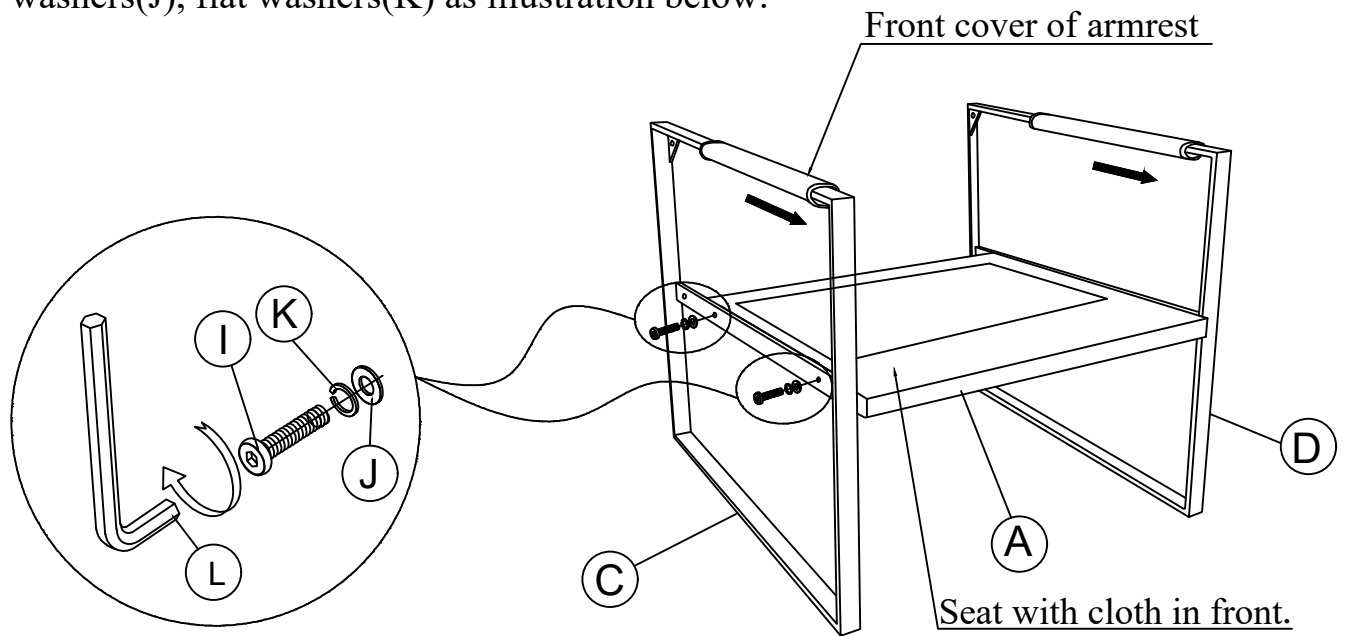
Step 1: Use scissors to cut open the compression packaging bags of Compression Cushion Liner (E) and Compression Back Cushion Liner (F), take out Compression Cushion Liner (E) and Compression Back Cushion Liner (F), and restore their height and elasticity.



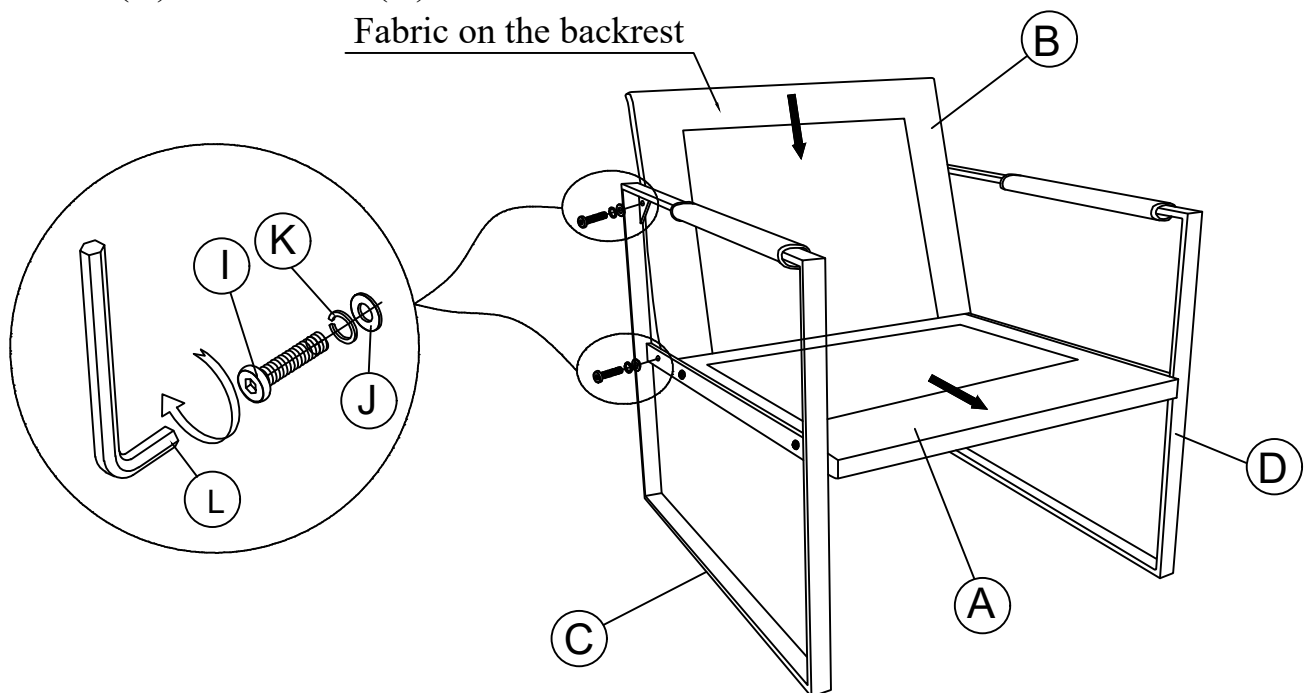
Step 2: Unzip the bottom of Cushion Leather Cover (G) and tuck Cushion Liner (E) into Cushion Leather Cover (G); unzip the bottom of Back Cushion Leather Cover (H) and tuck Back Cushion Liner (F) into Back Cushion Leather Cover (H).



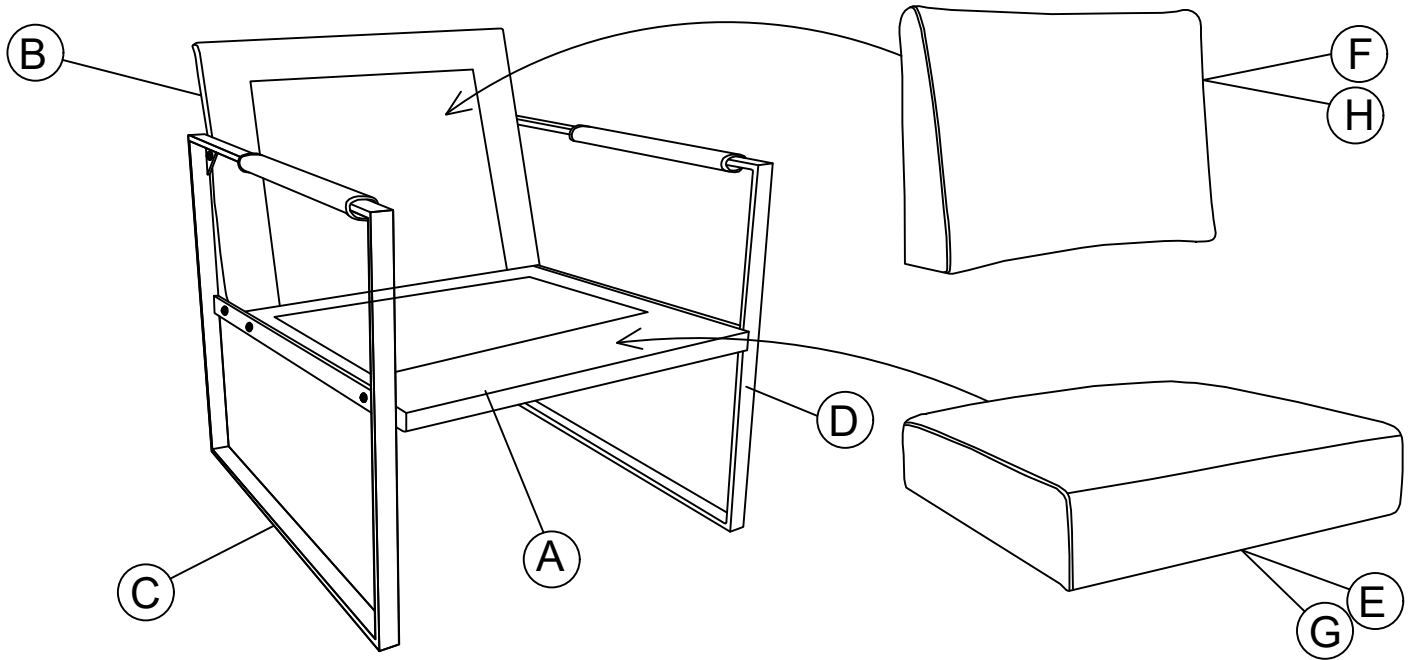
Step 3: Assemble Left Armrest(C) and Right Armrest(D) to Chair Seat (A). Lock the armrests to the seat using allen wrench(L) to loosely tighten bolts(I), lock washers(J), flat washers(K) as illustration below:



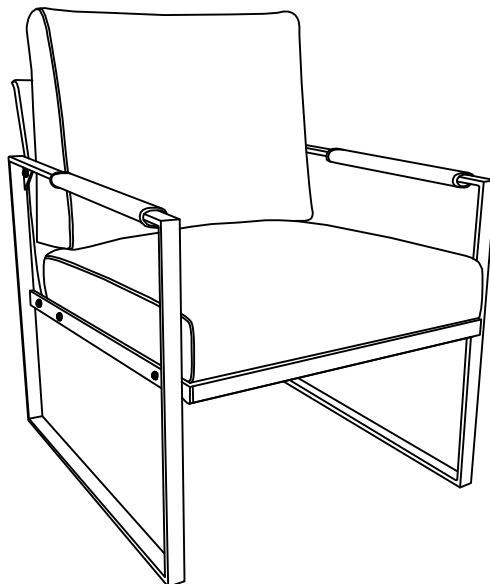
Step 4: Insert Chair Back(B) to Left Armrest(D) and Right Armrest(E). Lock the chair back to the armrests using allen wrench(I) to loosely tighten bolts(F), lock washers(H), flat washers(G) as illustration below:



Step 5: Insert Cushion(E&G) and Back Cushion(F&H) on the chair seat and chair back by velcro.



Step 6: Turn the chair over and place it upright on a level surface. Assembly is complete.



ATTENTION!!

Bolts may loosen during normal everyday use. They should be periodically inspected and re-tightened to prevent damage or injury. Always check to ensure that all hardware is kept tightened.

Warnings

1. Please check if the components of the chair are all included and can be used normally.
2. Assemble all components according to the instruction correctly.
3. If the chair is damaged or doesn't match the website description, please send clear pictures of the product and label of the carton to our service team for further help.

If the chair still doesn't assembly, please feed the information back to our customer service in time and we'll help you solve the matter as soon as possible

4. If you have any questions with the product, please contact us.