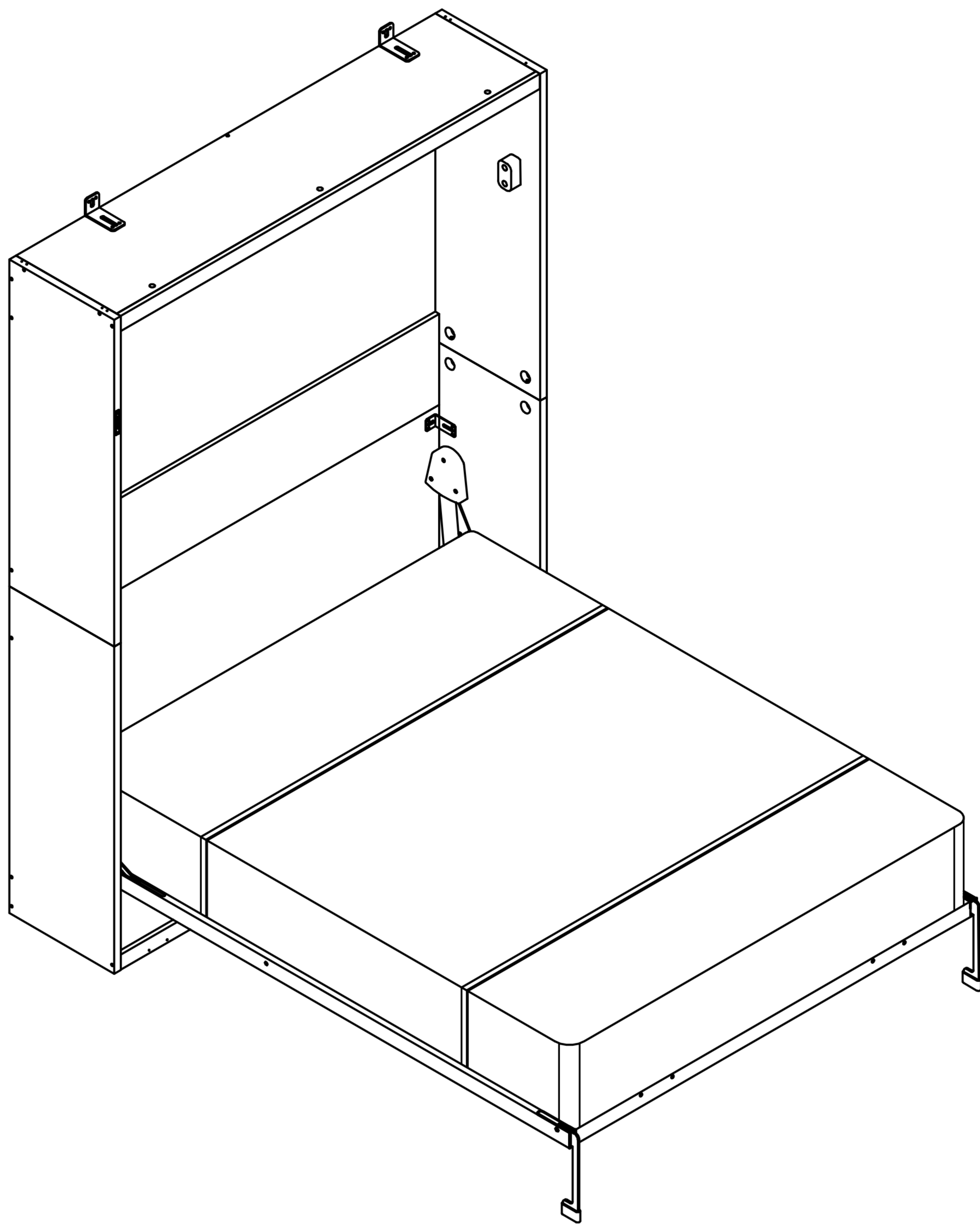
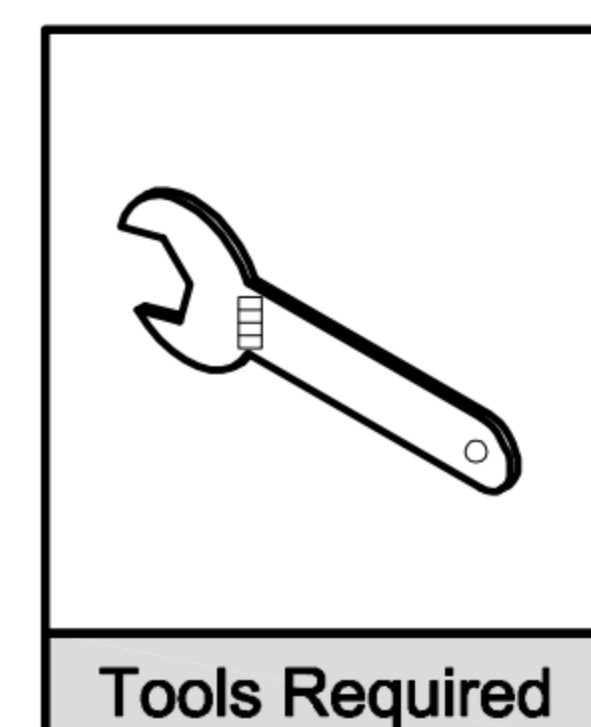
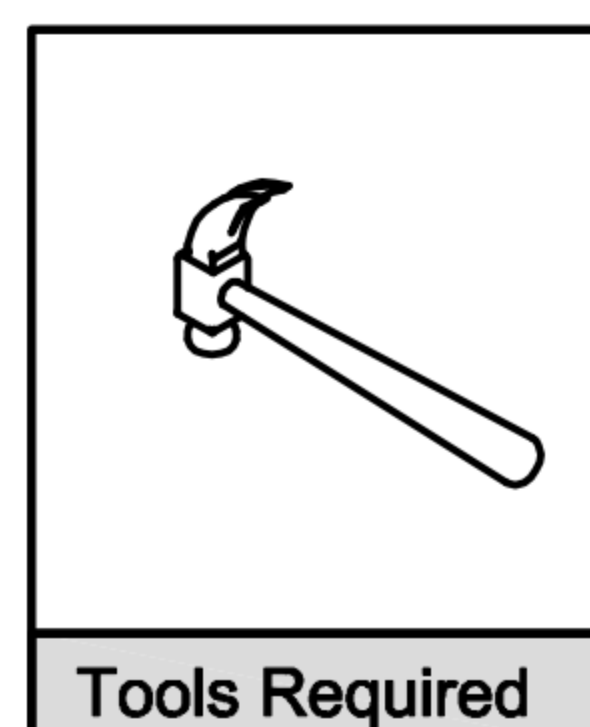
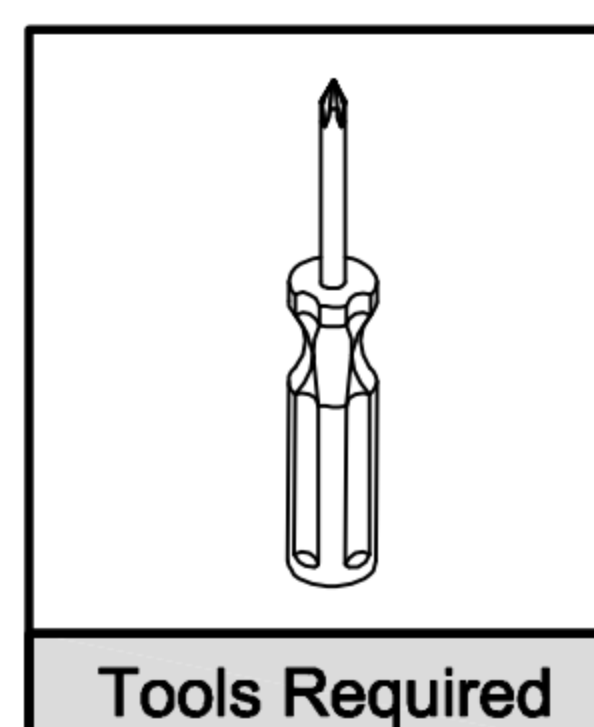
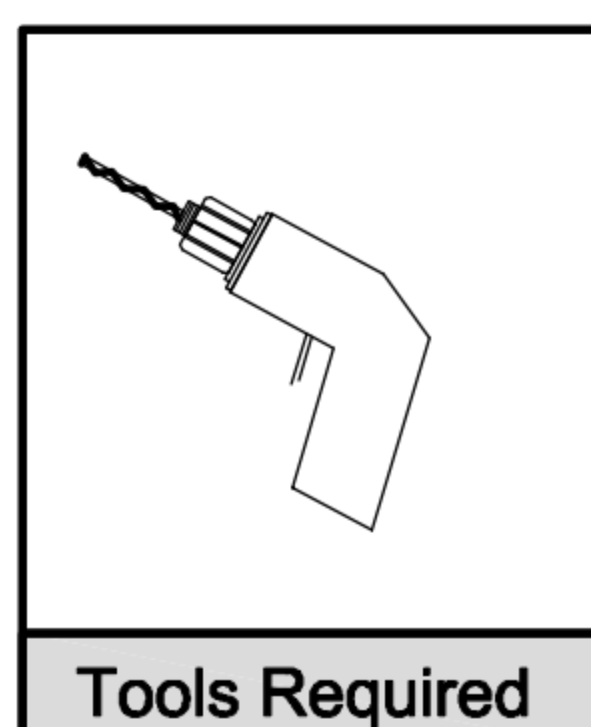
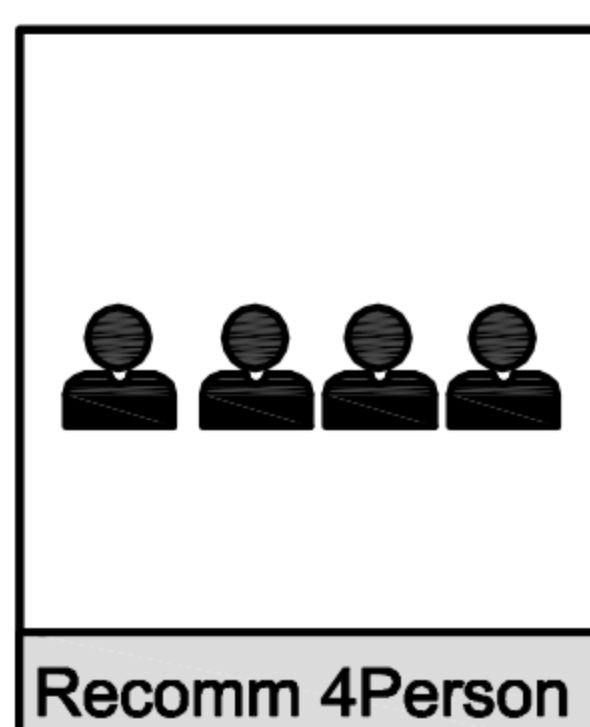
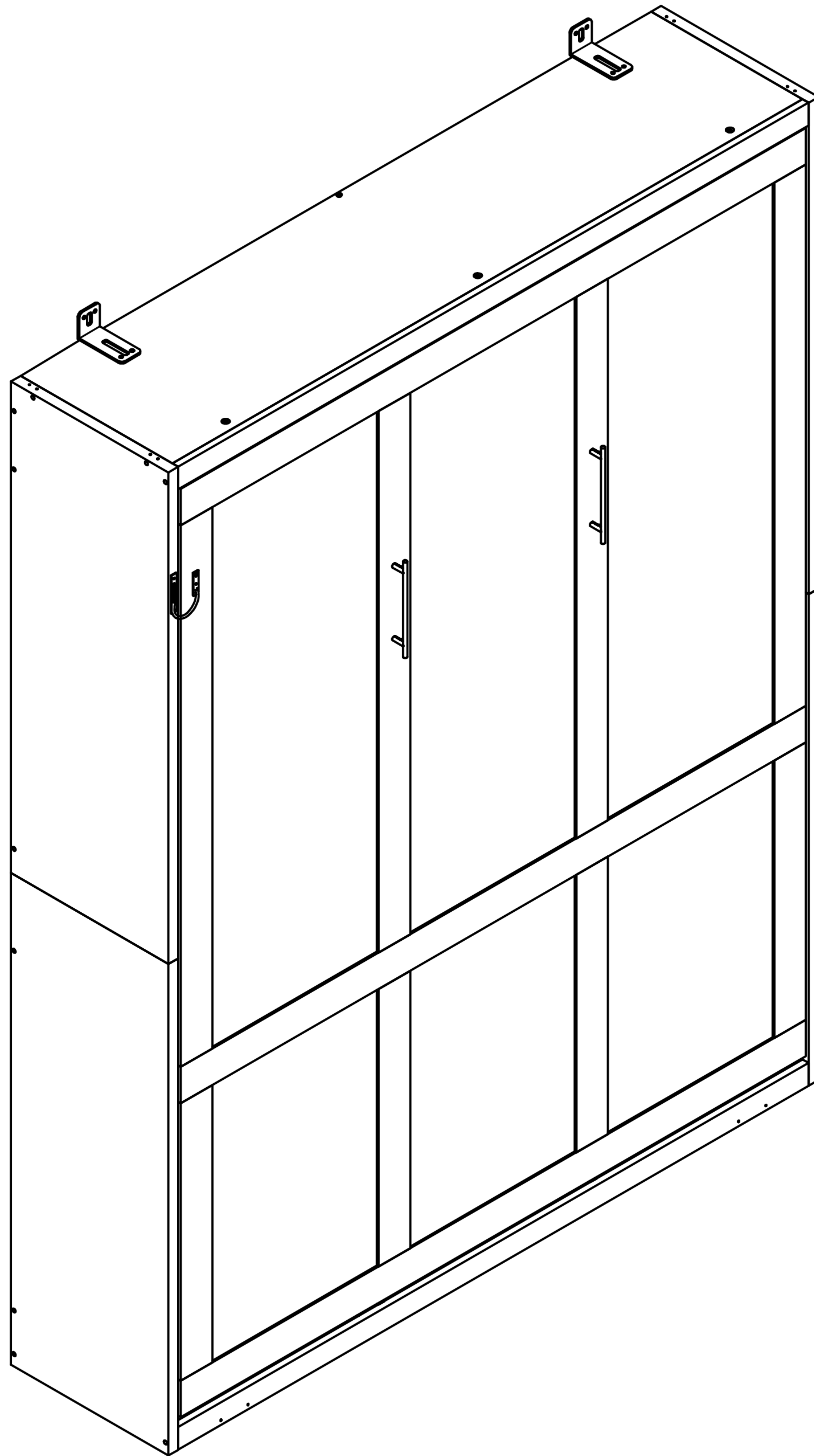


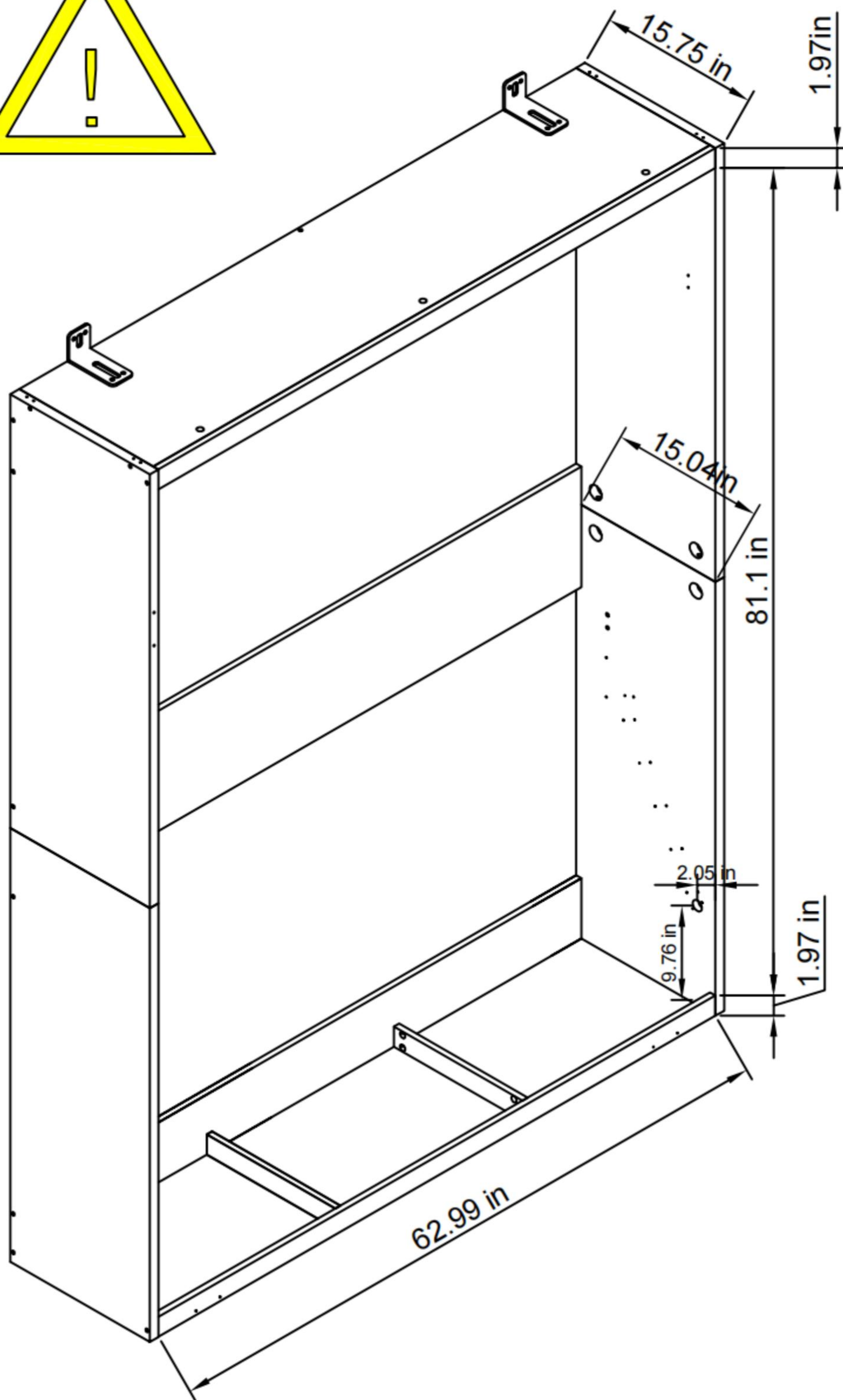
Murphy bed

Installation product manual

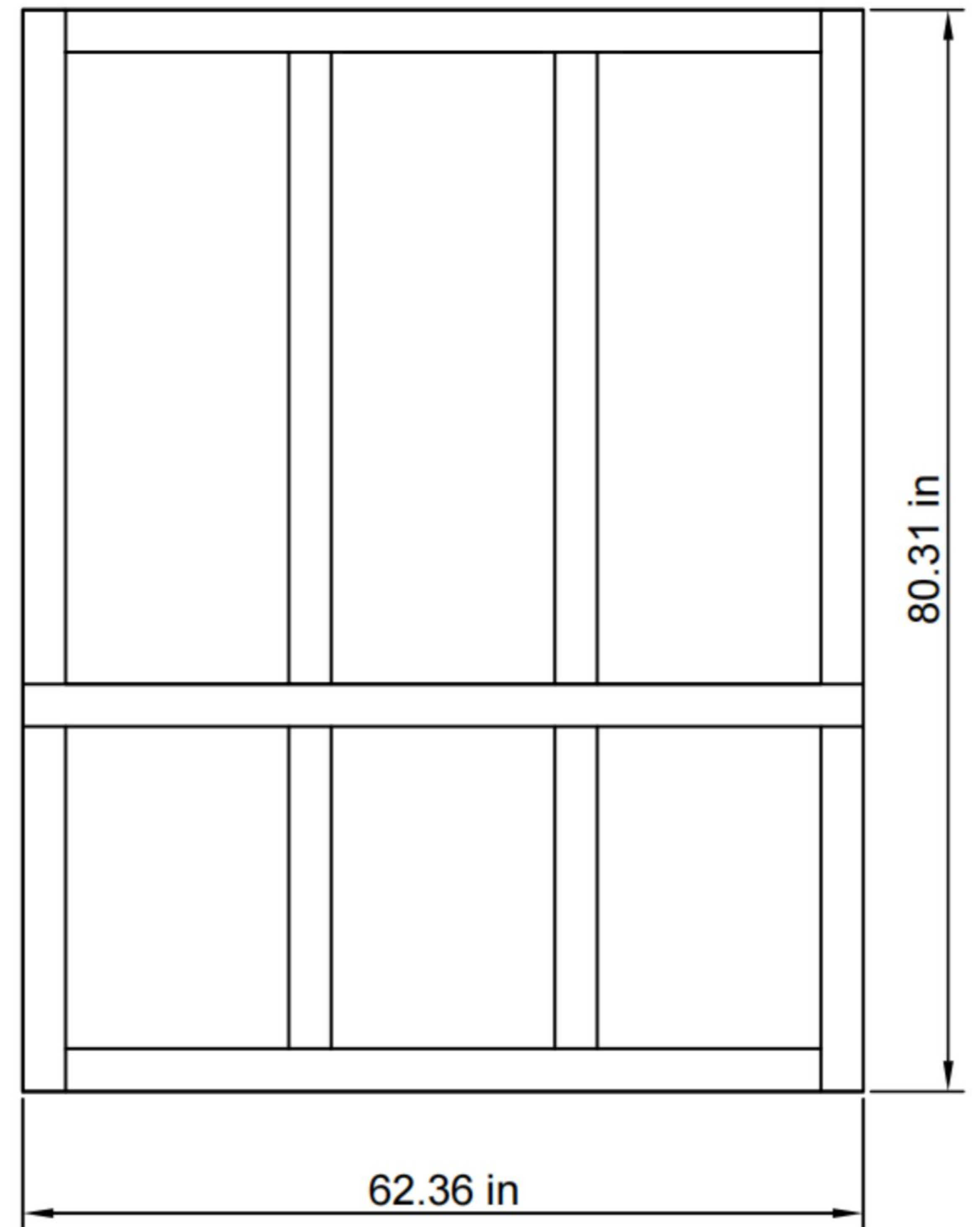


Assembly Instruction



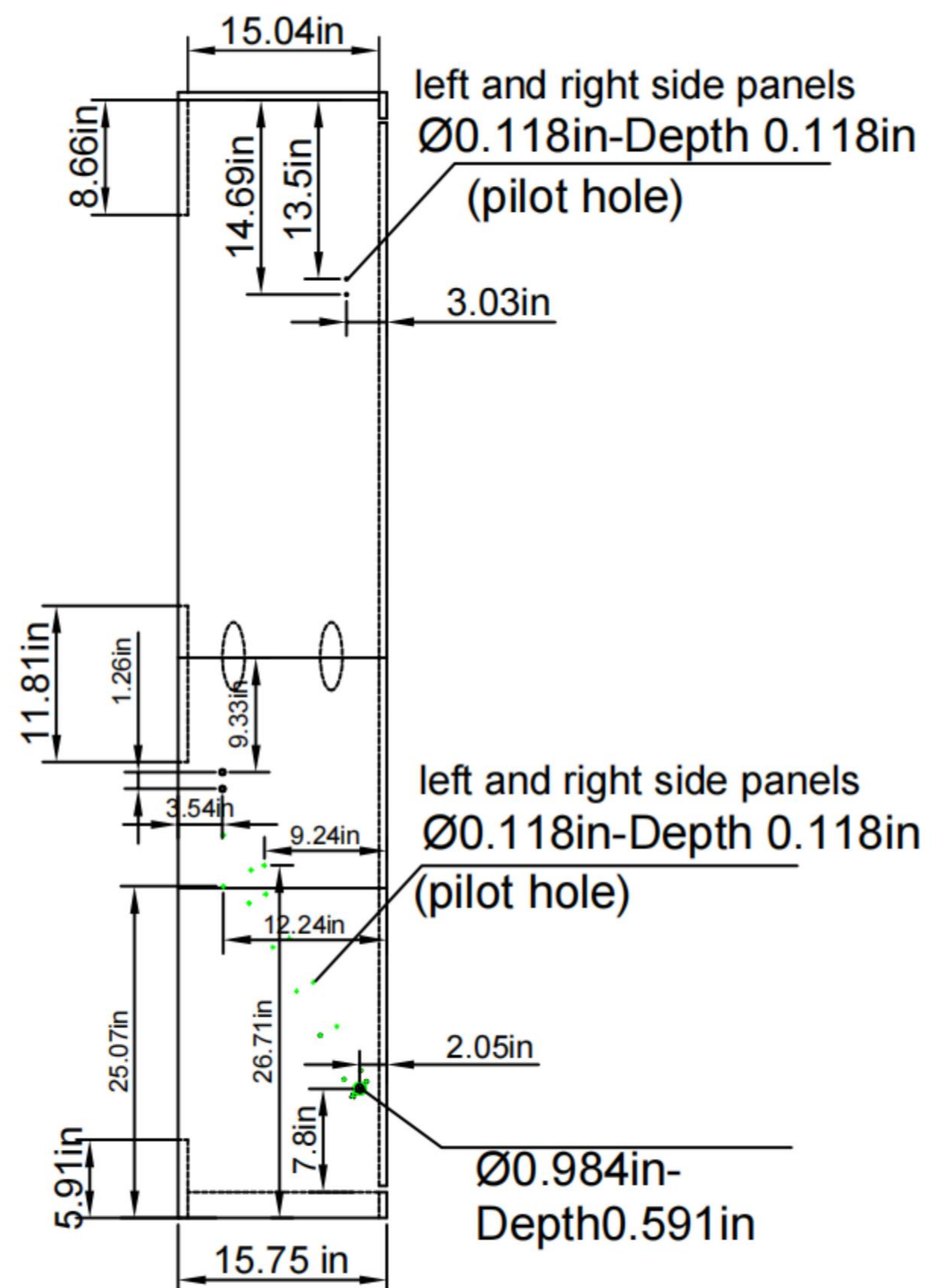


Decorative door panel:
W62.36xD0.591xH80.31 inches

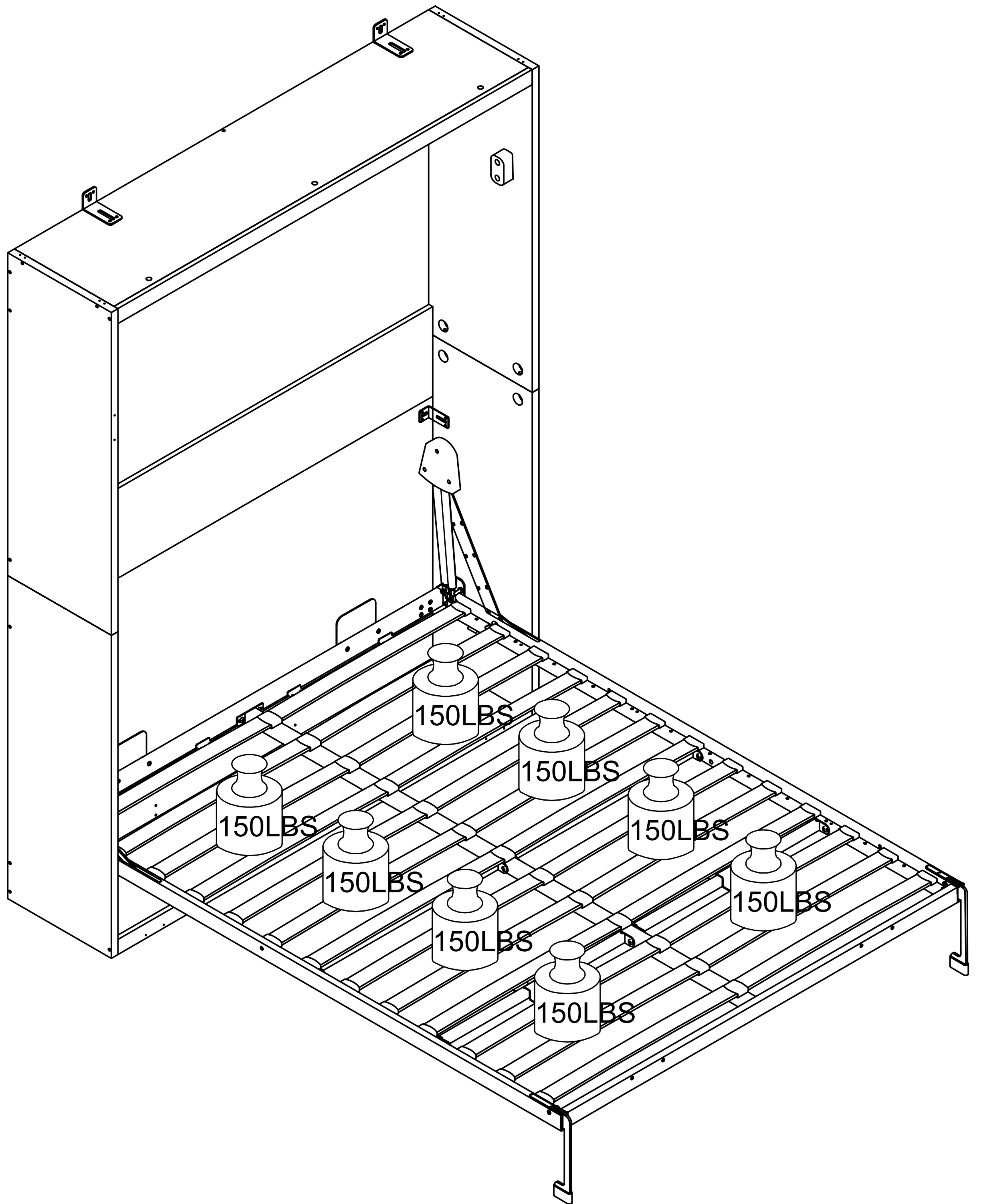


- If you choose to DIY the cabinet when just bought our murphy bed hardware kit, Please pay attention to the following keys for cabinet dimension datas and requirements:
1. The internal dimensions of cabinet should be accurate reserved to:
W62.99xD14.961xH81.102 inches;
 2. The total dimension of cabinet door panel (divided into 3-4 pieces to be made):
W62.36xD0.591xH80.31 inches;
 3. The baseboard height which from the ground to inside cabinet: 1.97 inches;

The cabinet must be fixed to the wall using the matched corner brackets and expansion screws.



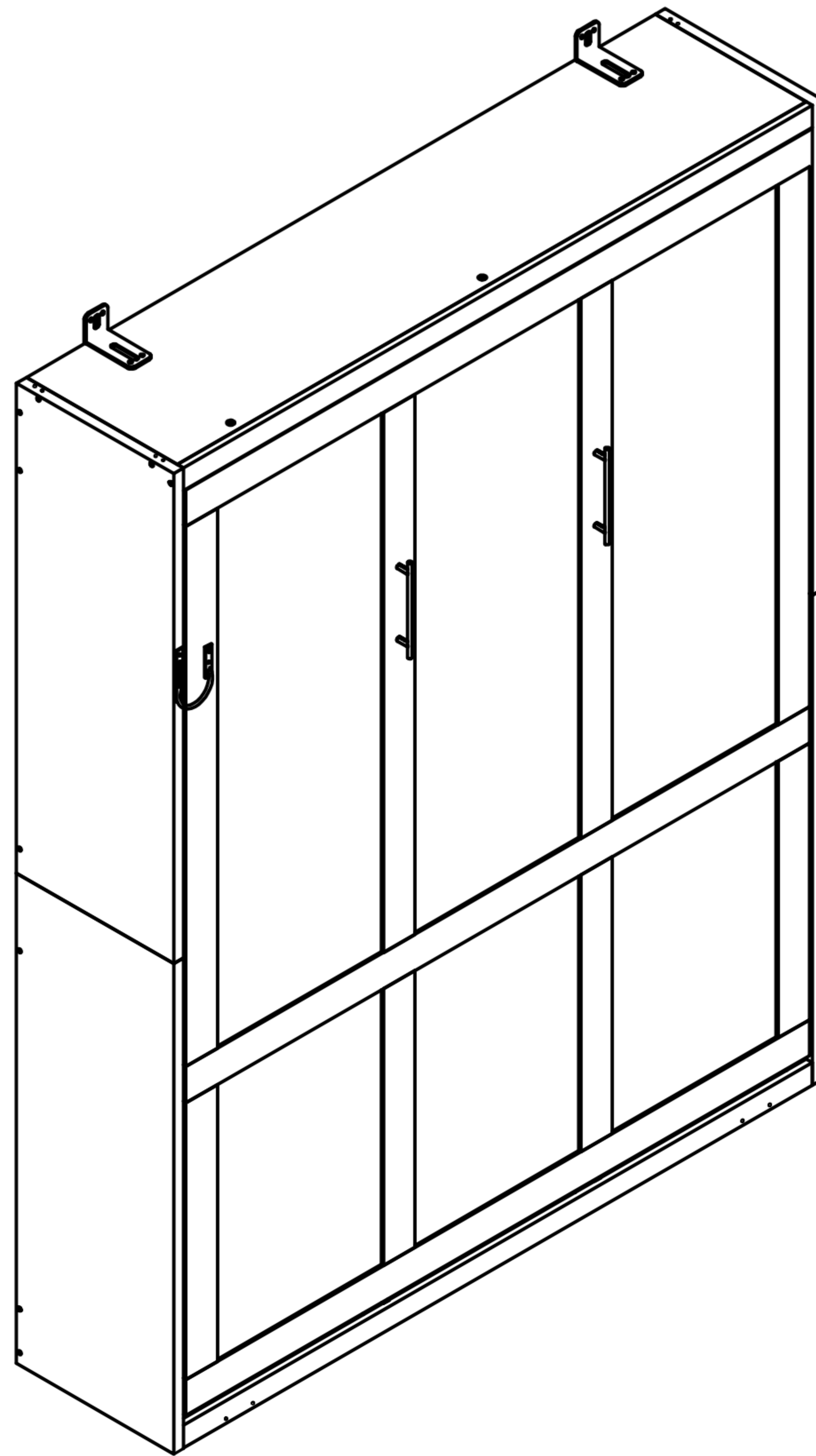
The maximum width of the mattress that the bed frame will fit is 60inch, the maximum length is 80inch, and the maximum thickness is 10inch. Suggested Mattress Size:Queen, Suggested Mattres Thickness: 8inch. (please note that the mattress weight less than 80lbs may cause the feet of the bed frame are off the ground)





WARNING

Recommended Maximum Weight



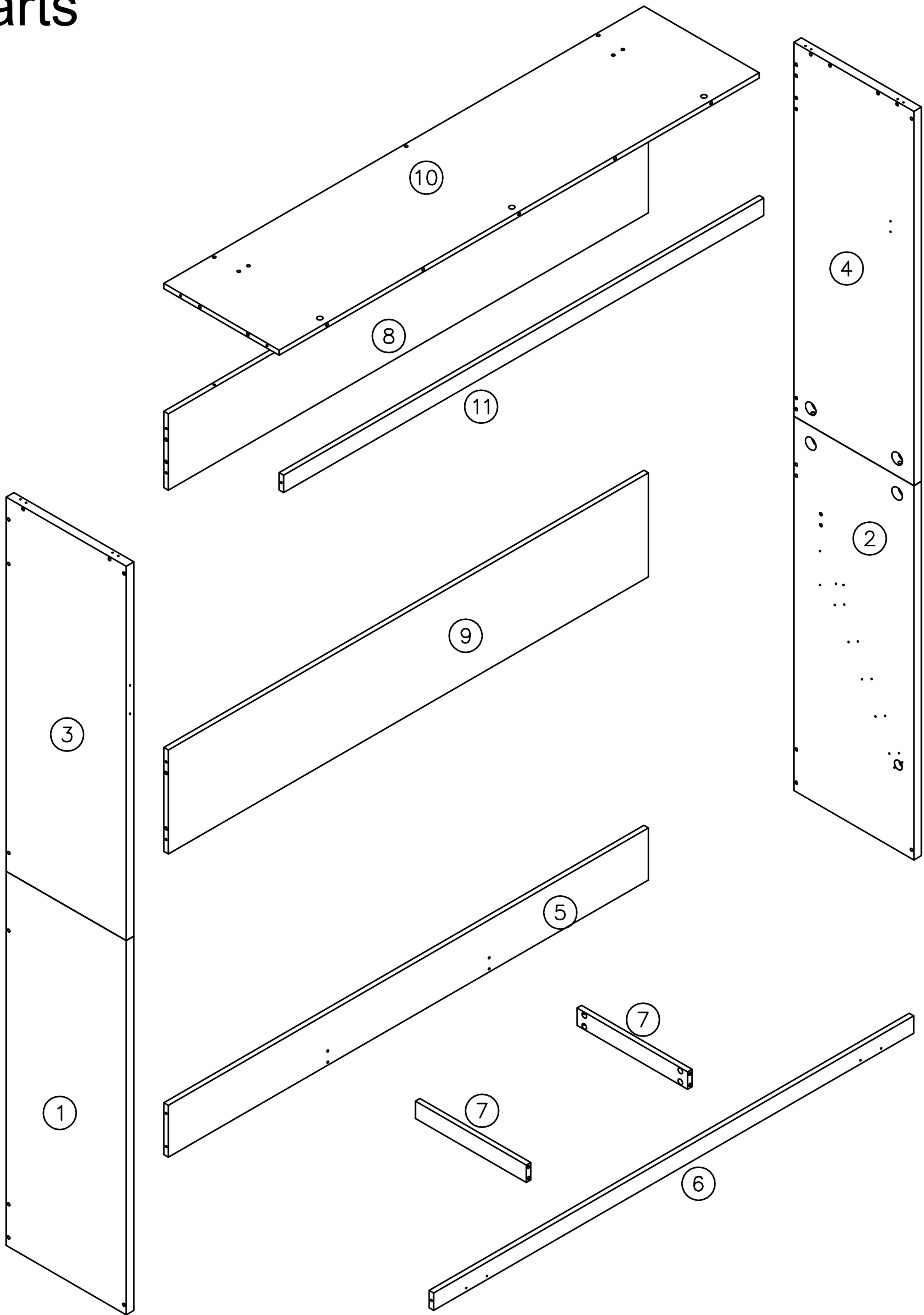
Read all instructions before using this product.

1. This unit has been designed to support the maximum loads shown. Exceeding these load limits could cause sagging, instability, product collapse, and/or serious injury.
2. Avoid sharp objects and corrosive chemicals to prevent damage to the product or bodily injury.
3. Not intended for use in humid environment to prevent mildew, such as bathrooms, laundry areas and similar indoor locations. Do not use outdoors.
4. Don't allow anybody stand or climb on the unit. Serious or fatal crushing injuries can occur from furniture tip over. To prevent tip over this furniture must be used with the wall attachment devices provided.

Useful Hints before you start:

1. Place soft packaging material on the floor to protect surface of product during assembly work.
2. It is important that each step is performed in correct order to avoid difficulties.
3. Align all screws with corresponding pre-drilled holes first and tighten.
4. Screws may become loose during long-term use, retighten them to ensure stability and security.
5. Using incompatible hardware might cause damage to product.

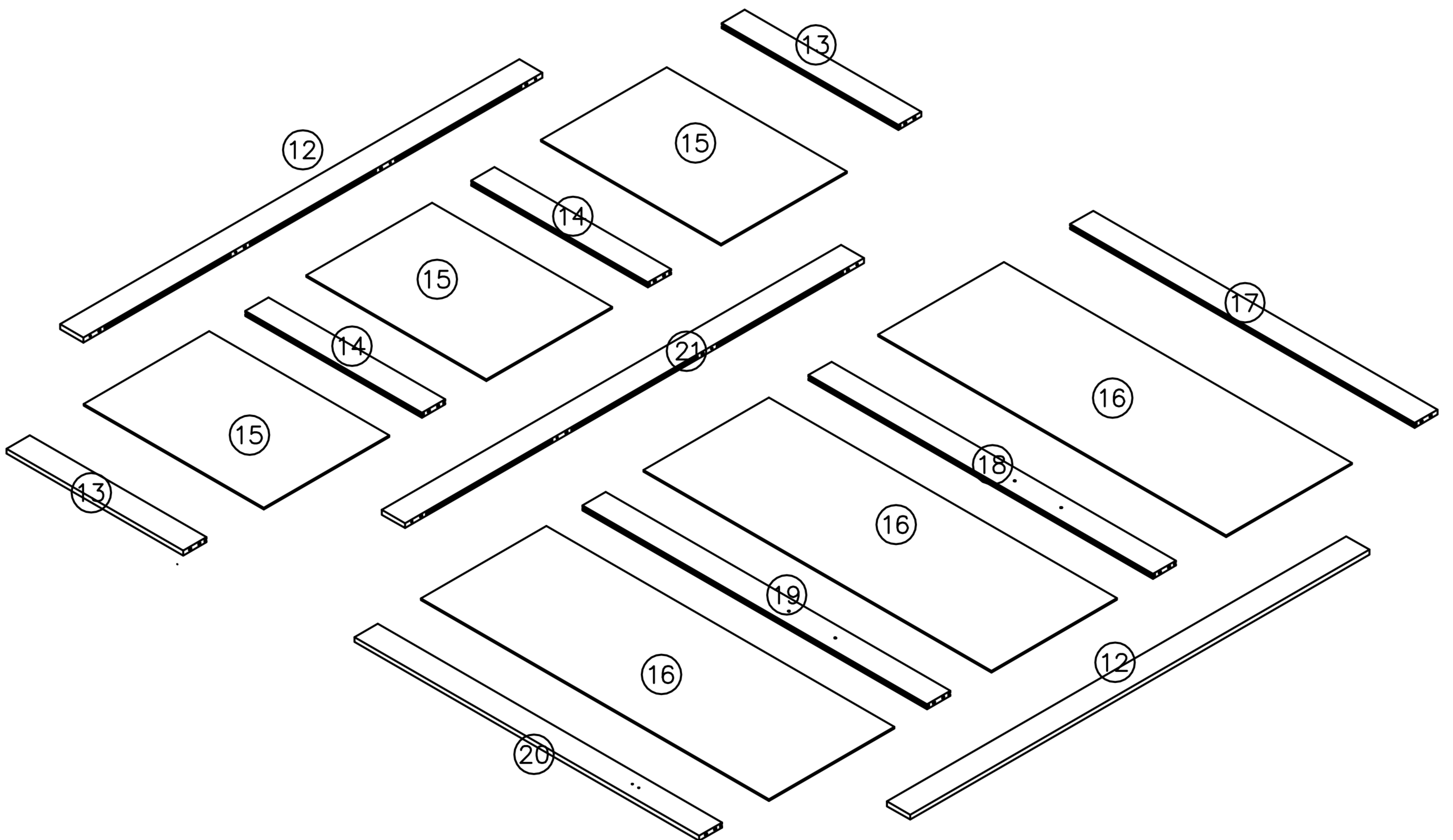
parts



WARNING:

To avoid causing unnecessary troubles,
Please check whether the components with corresponding
numbers are installed correctly according to the diagram.

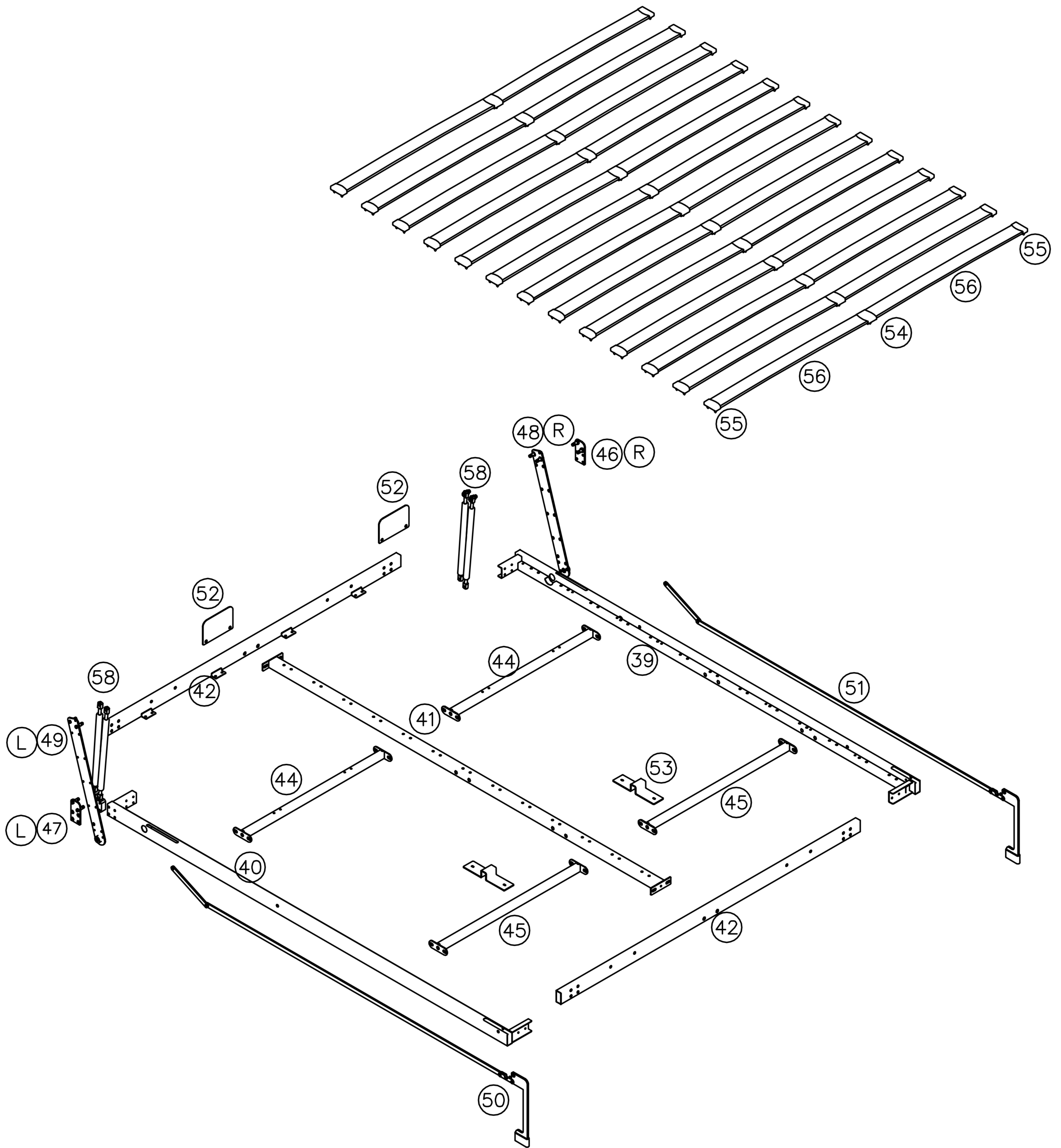
parts



WARNING:

To avoid causing unnecessary troubles,
Please check whether the components with corresponding
numbers are installed correctly according to the diagram.

parts

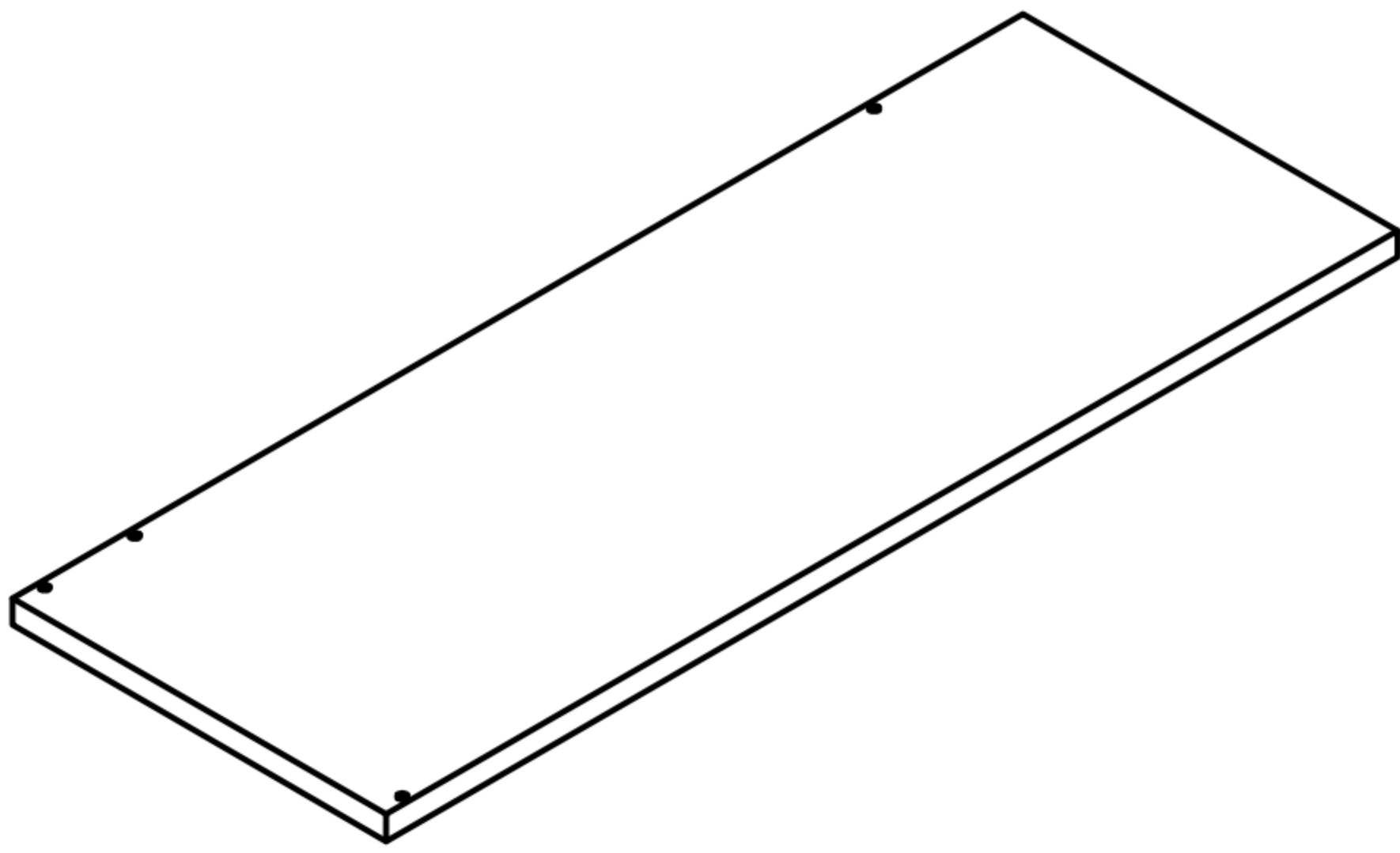


WARNING:

To avoid causing unnecessary troubles,
Please check whether the components with corresponding
numbers are installed correctly according to the diagram.

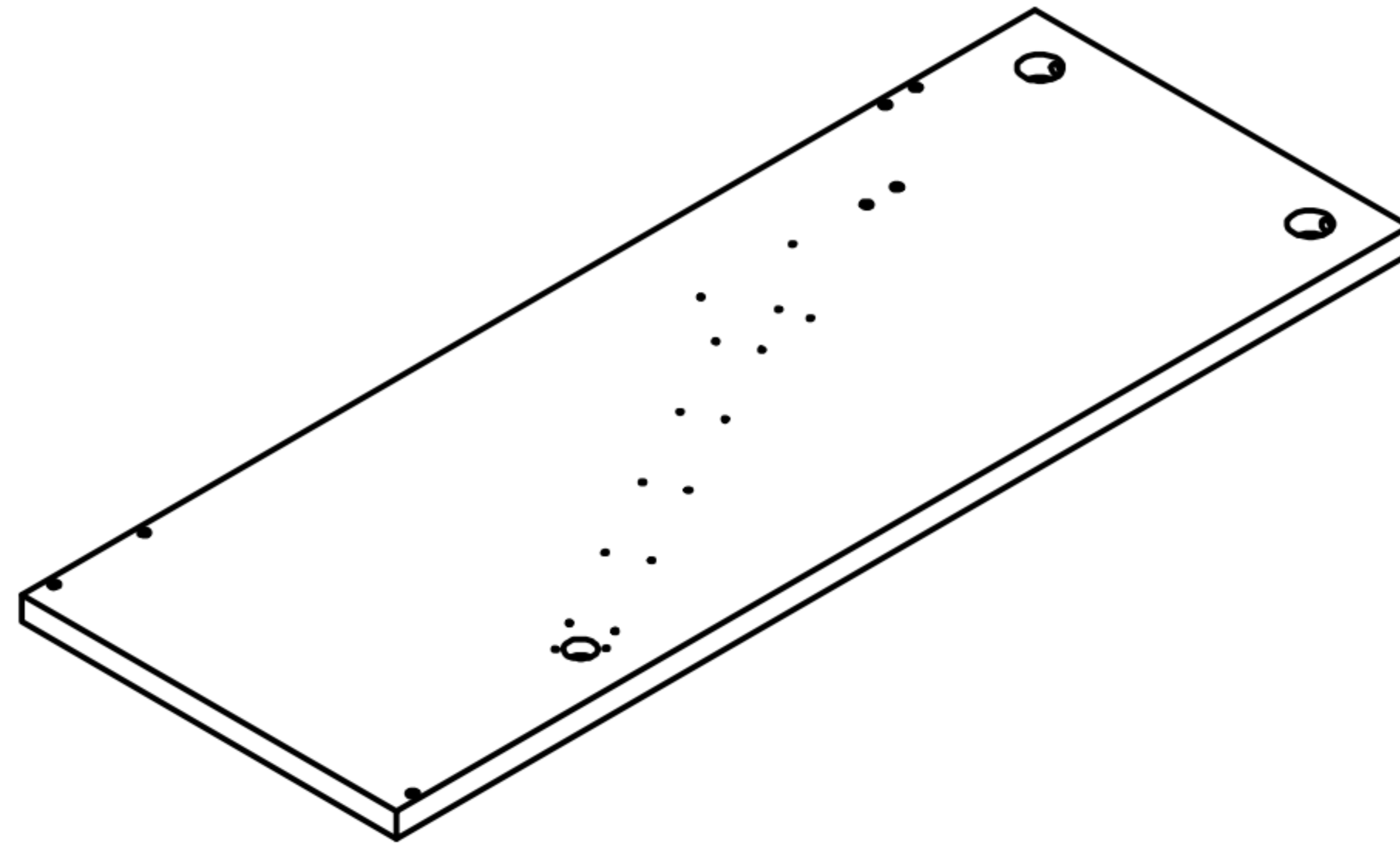
BOX: W5290P457916

①



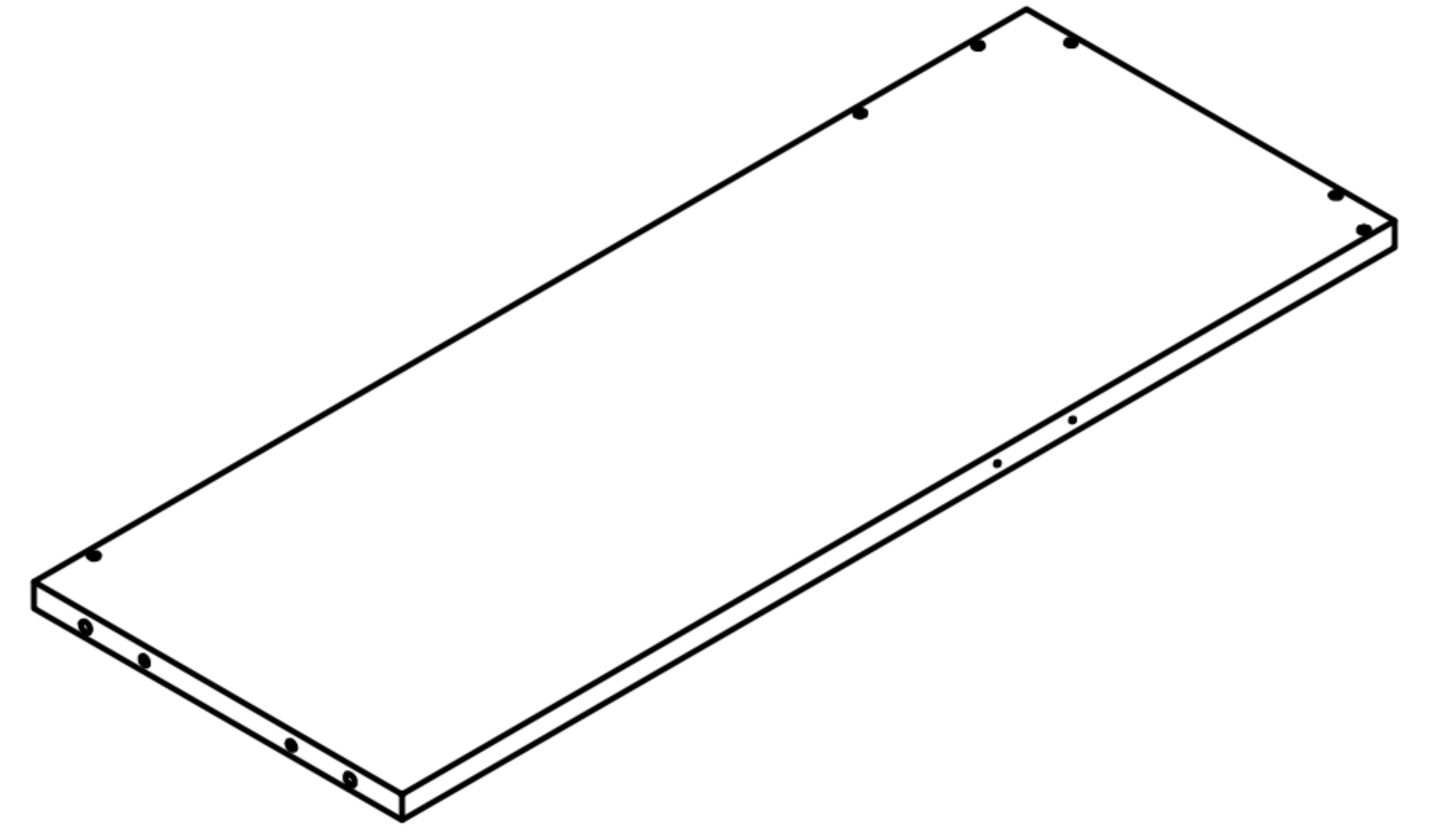
1080X400X25=1PC

②



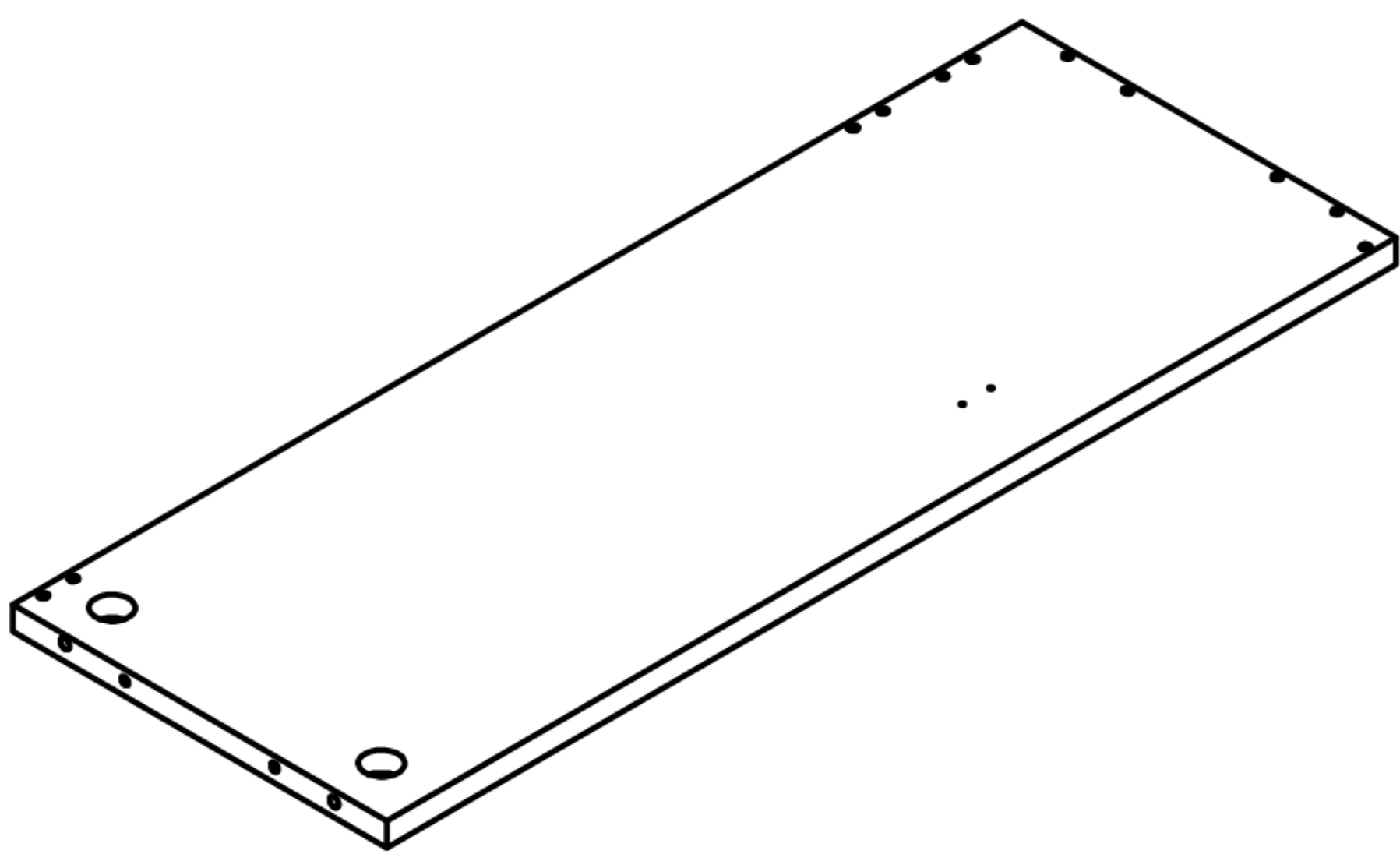
1080X400X25=1PC

③



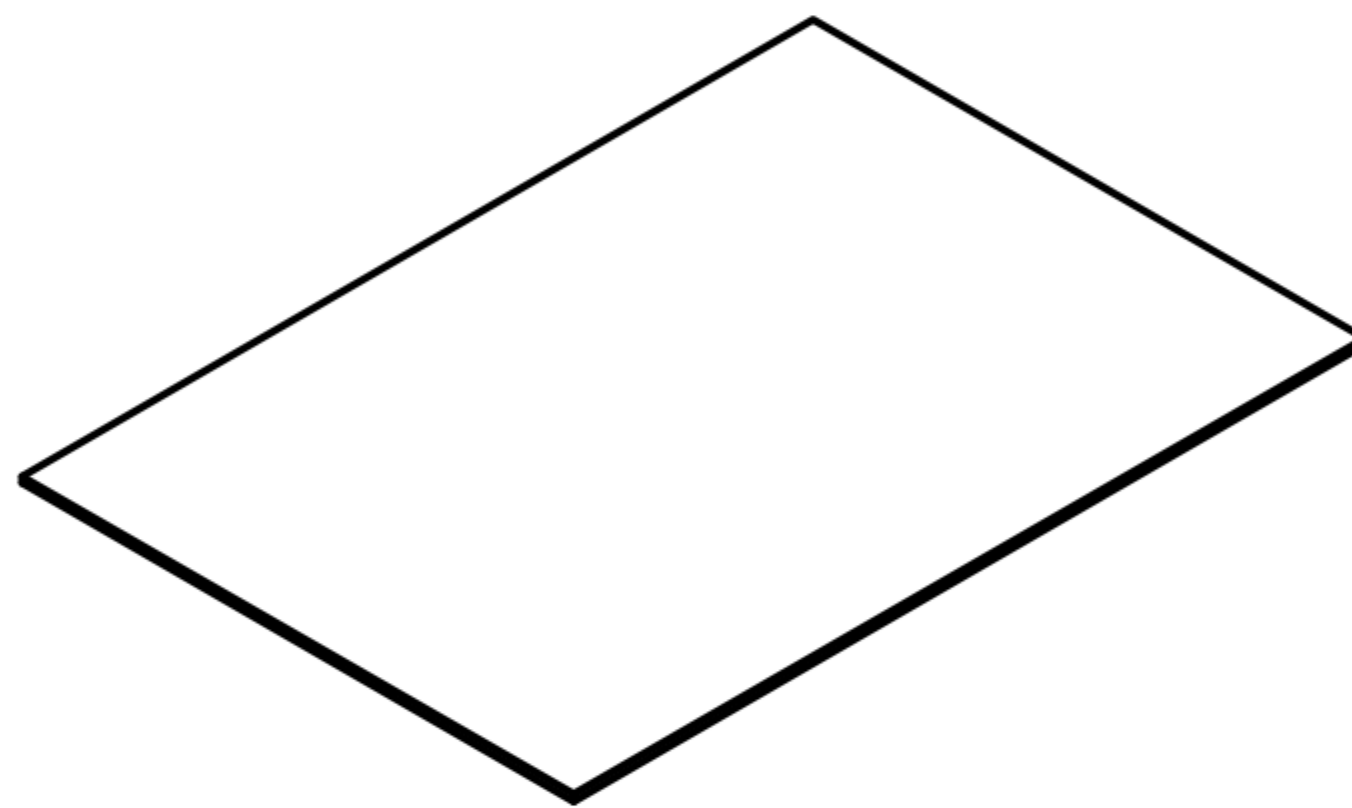
1080X400X25=1PC

④



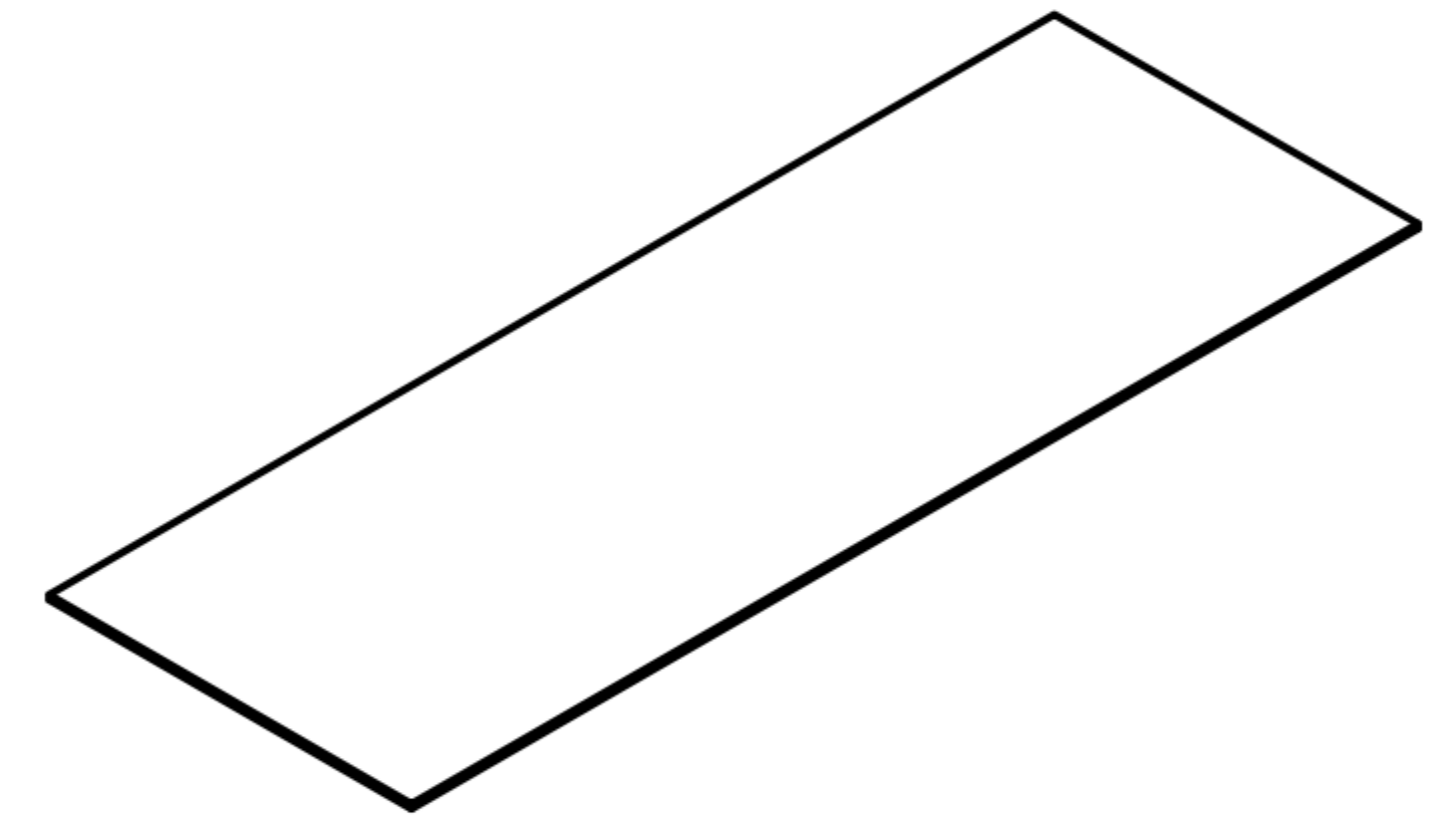
1080X400X25=1PC

⑮



622X434X5=3PCS

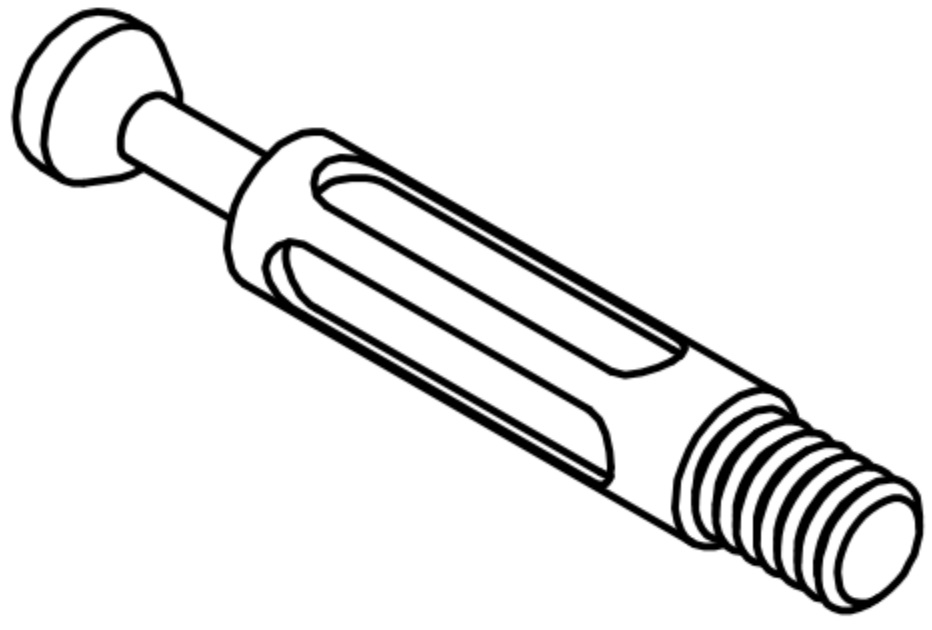
⑯



1202X434X5=3PCS

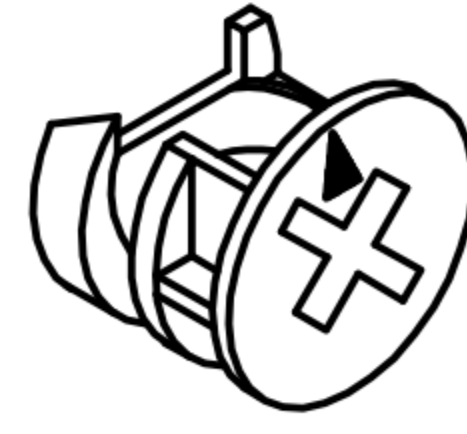
BOX: W5290P457916

(A)



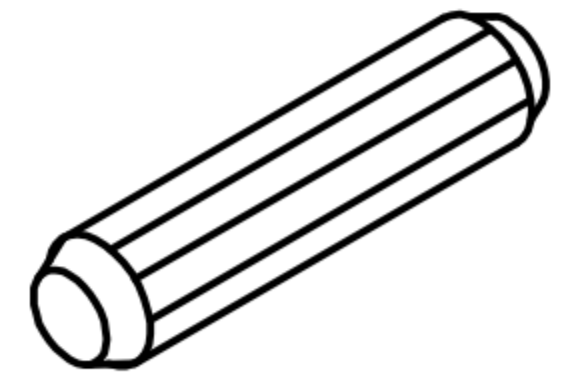
$\Phi 7 * 32 = 27 + 2 \text{PCS}$

(B)



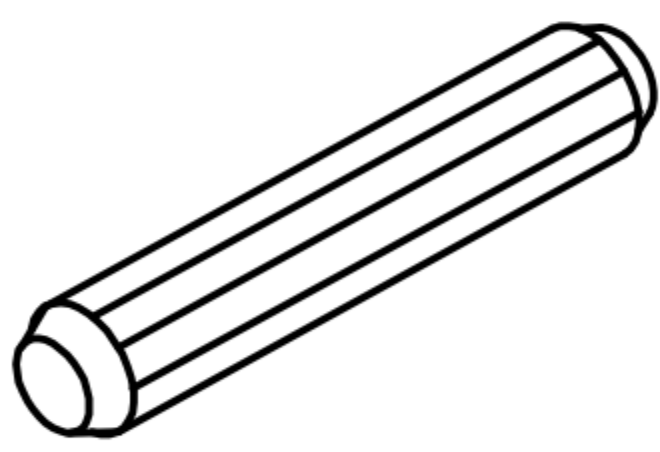
$\Phi 15 * 11.5 = 27 + 2 \text{PCS}$

(C1)



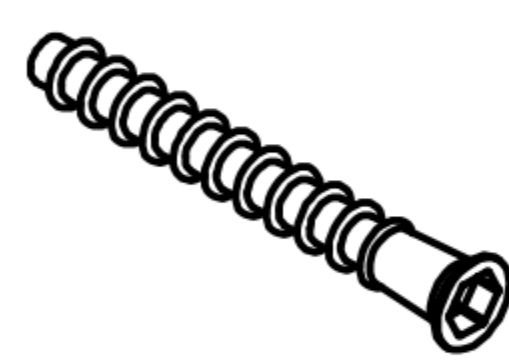
$\Phi 8 * 30 = 32 + 2 \text{PCS}$

(C2)



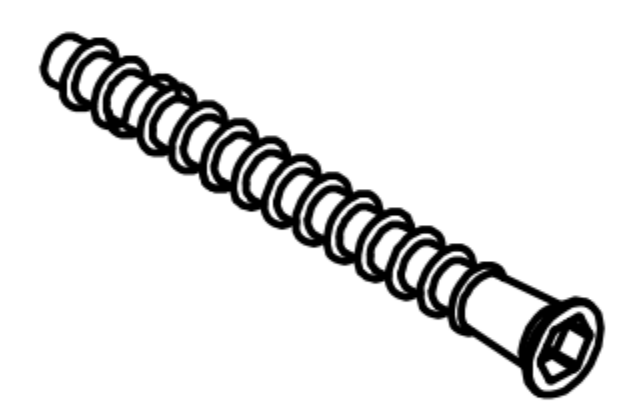
$\Phi 8 * 50 = 4 \text{PCS}$

(D1)



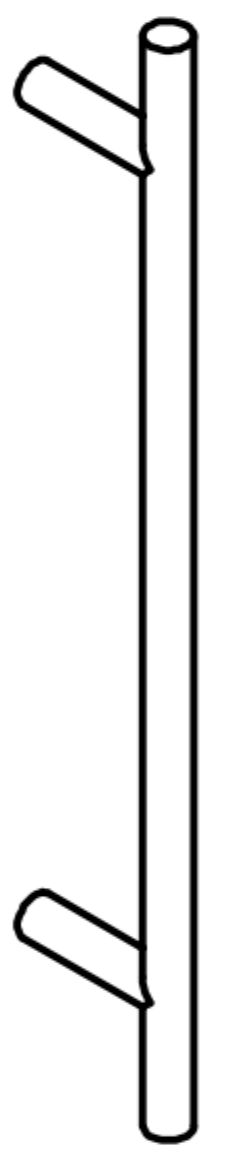
$\Phi 7 * 40 = 3 \text{PCS}$

(D2)



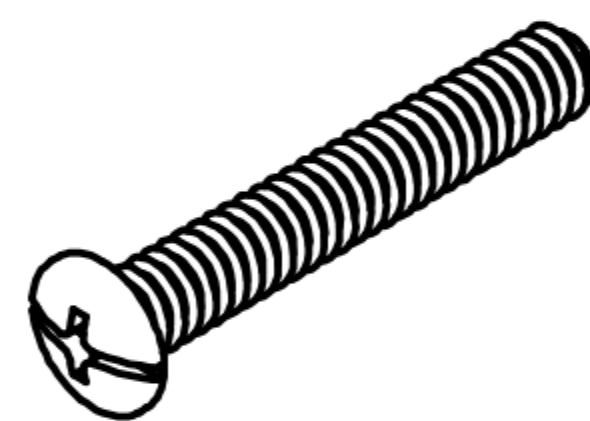
$\Phi 7 * 60 = 20 + 1 \text{PCS}$

(E1)



$= 2 \text{PCS}$

(E2)



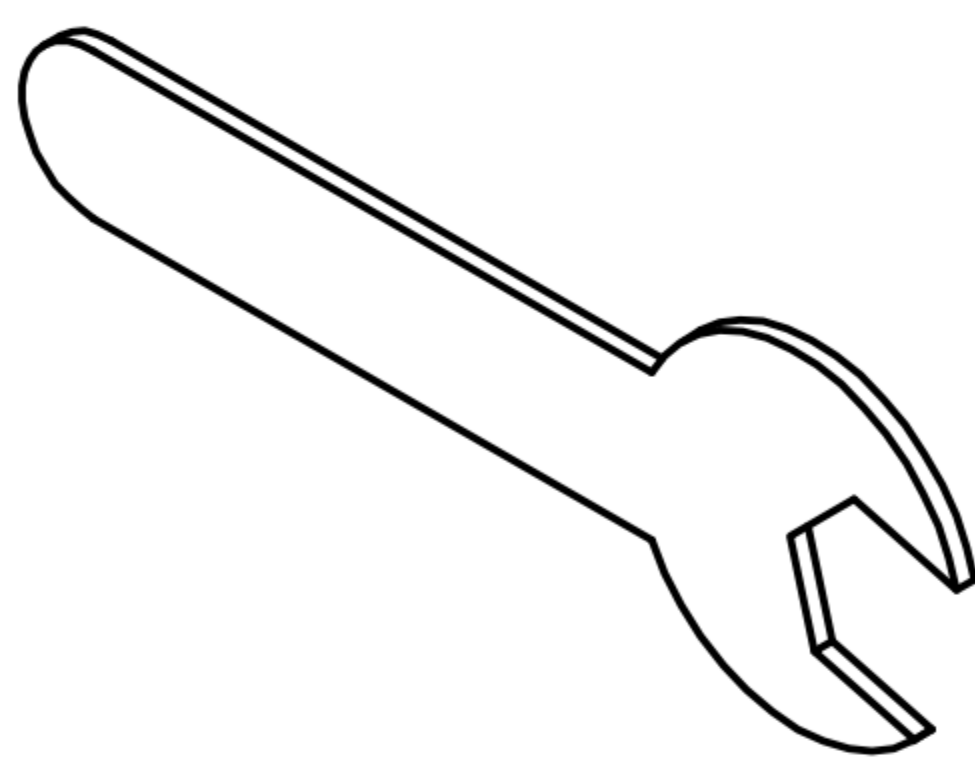
$= 4 \text{PCS}$

(F)



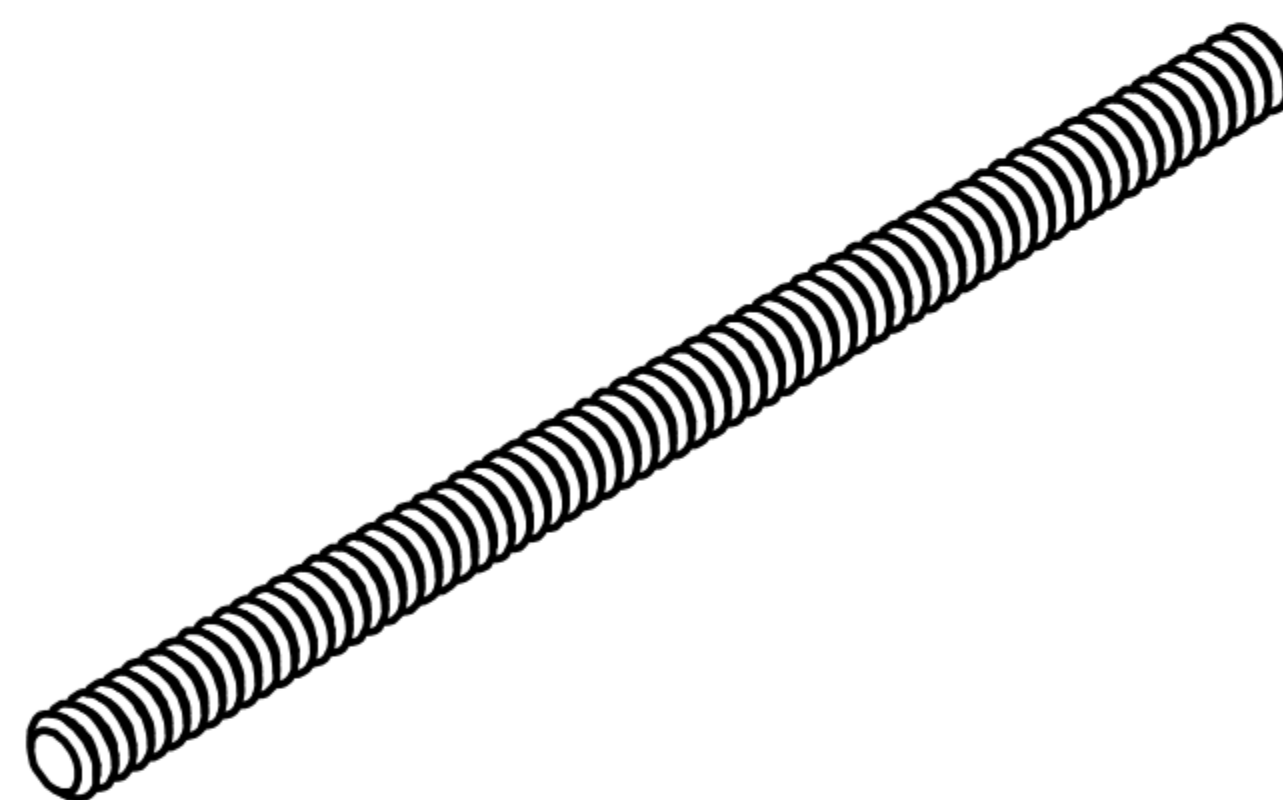
$= 1 \text{PC}$

(K)



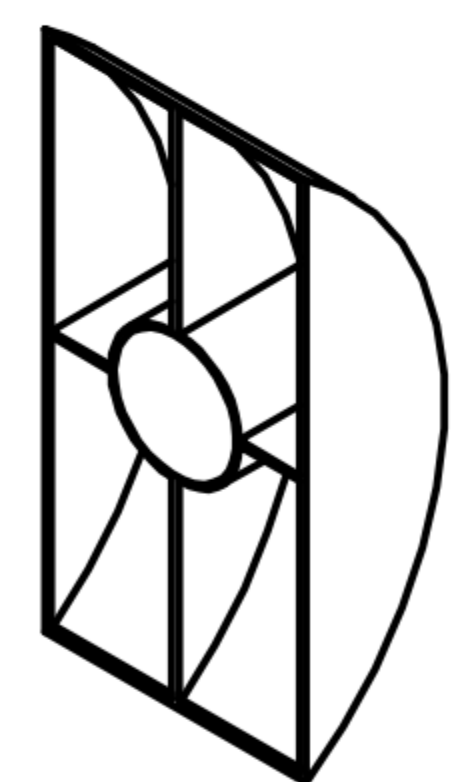
2PCS

(G1)



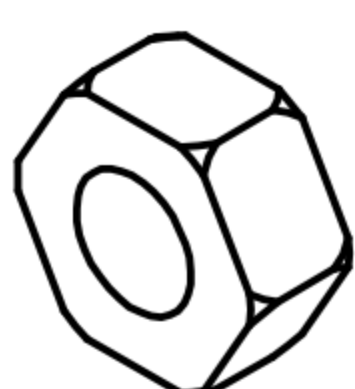
$M8 * 100 = 4 \text{PCS}$

(G2)



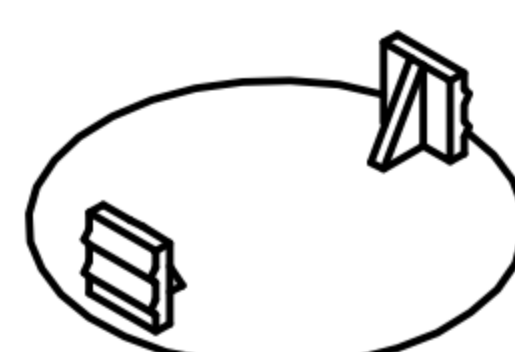
$= 8 \text{PCS}$

(G3)



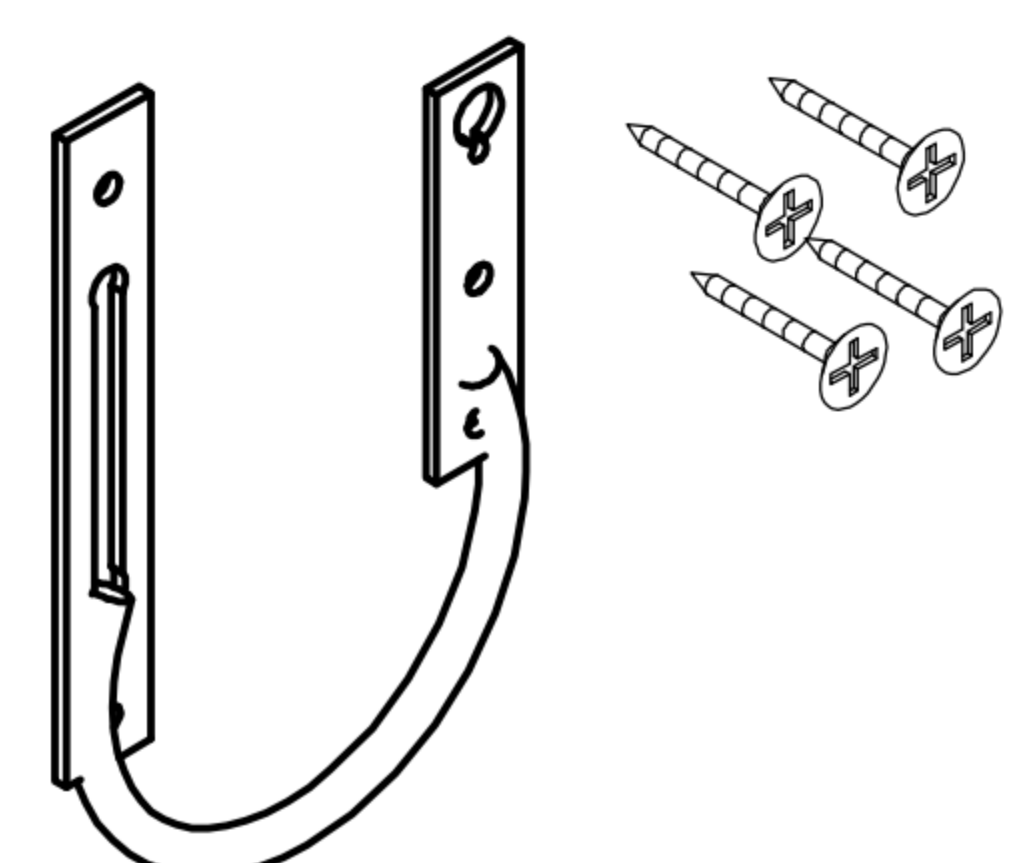
$M8 = 8 \text{PCS}$

(G4)



$\Phi 35 = 8 \text{PCS}$

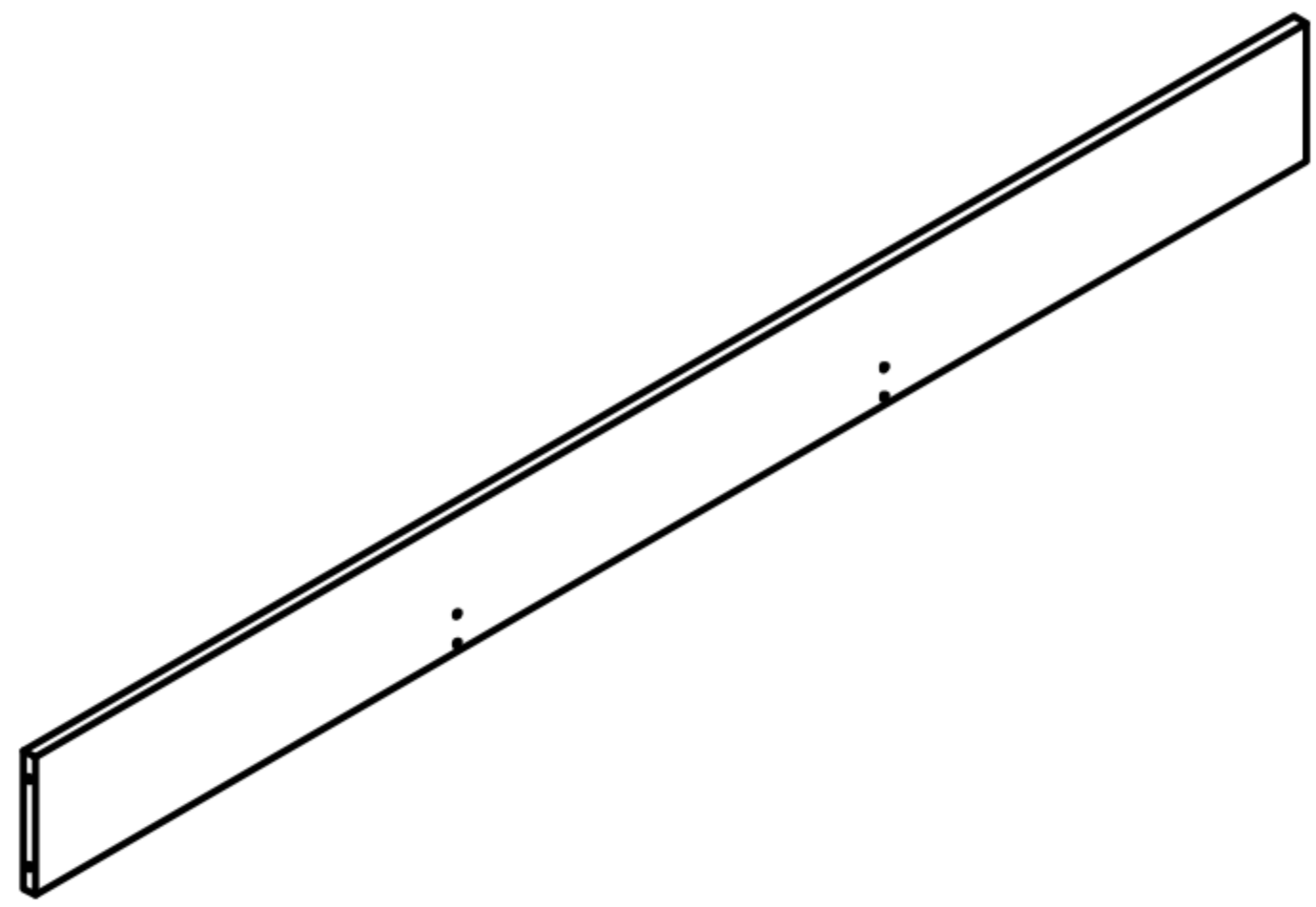
(H1)



$= 1 \text{PC}$

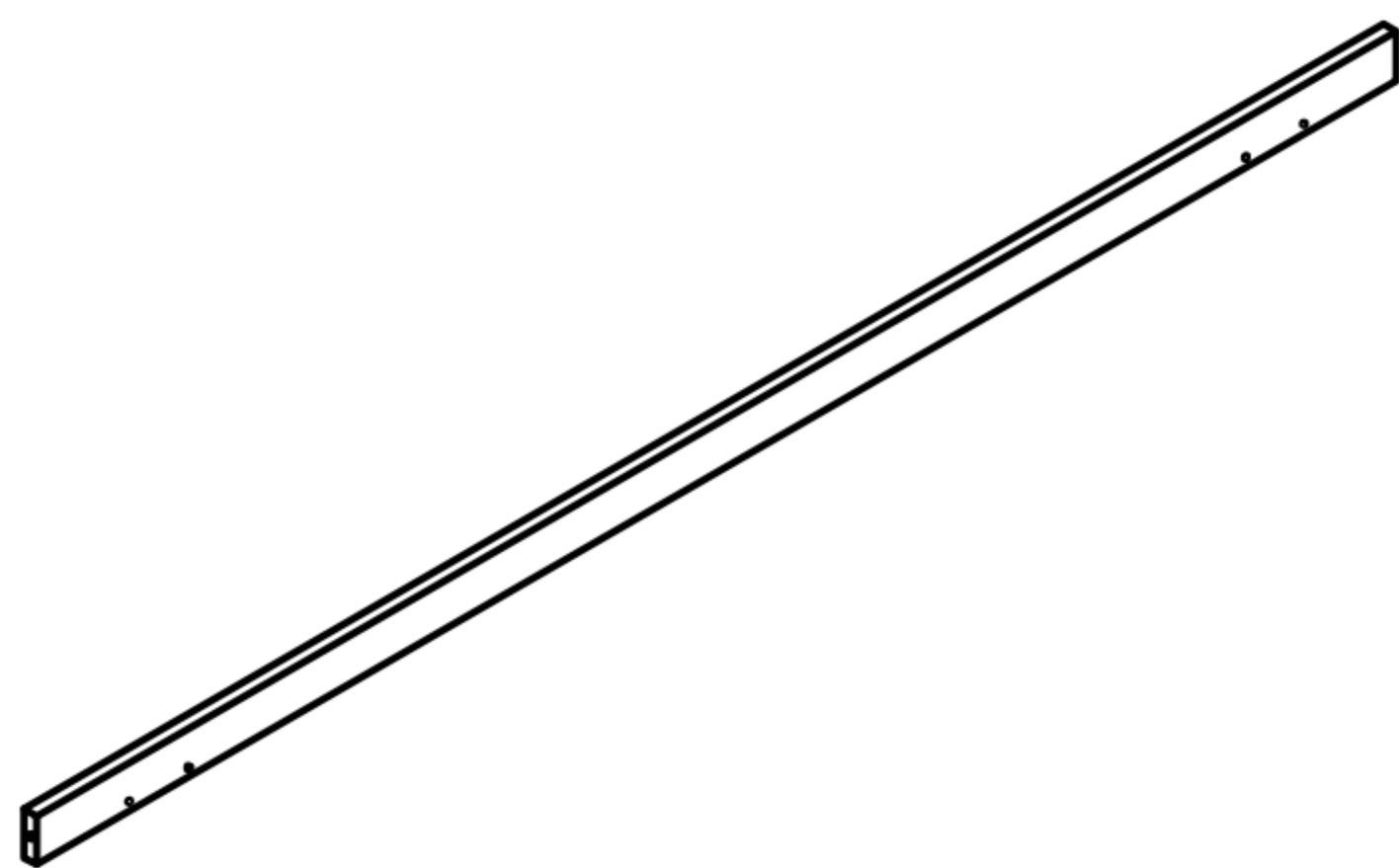
BOX:W5290P457897

⑤



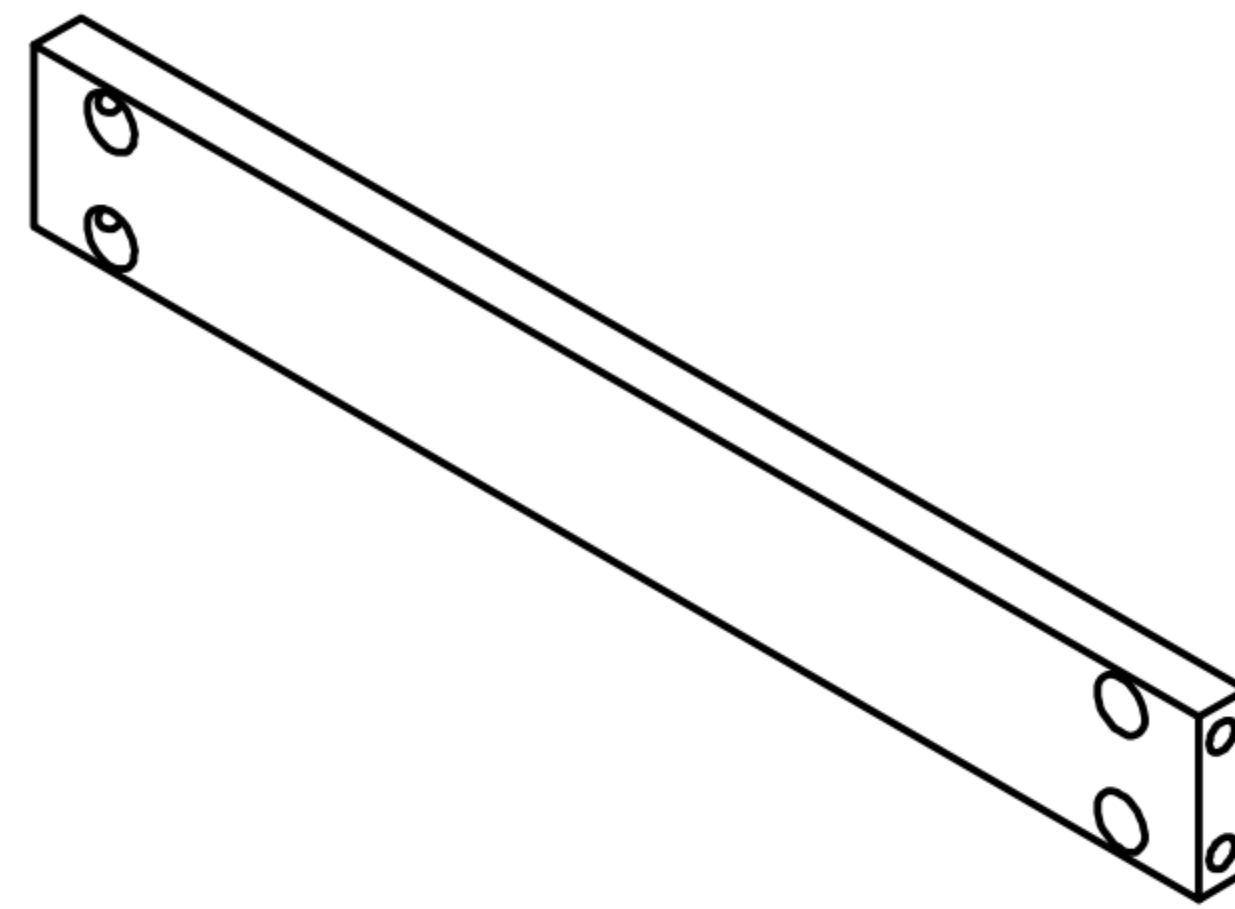
1600X150X15=1PC

⑥



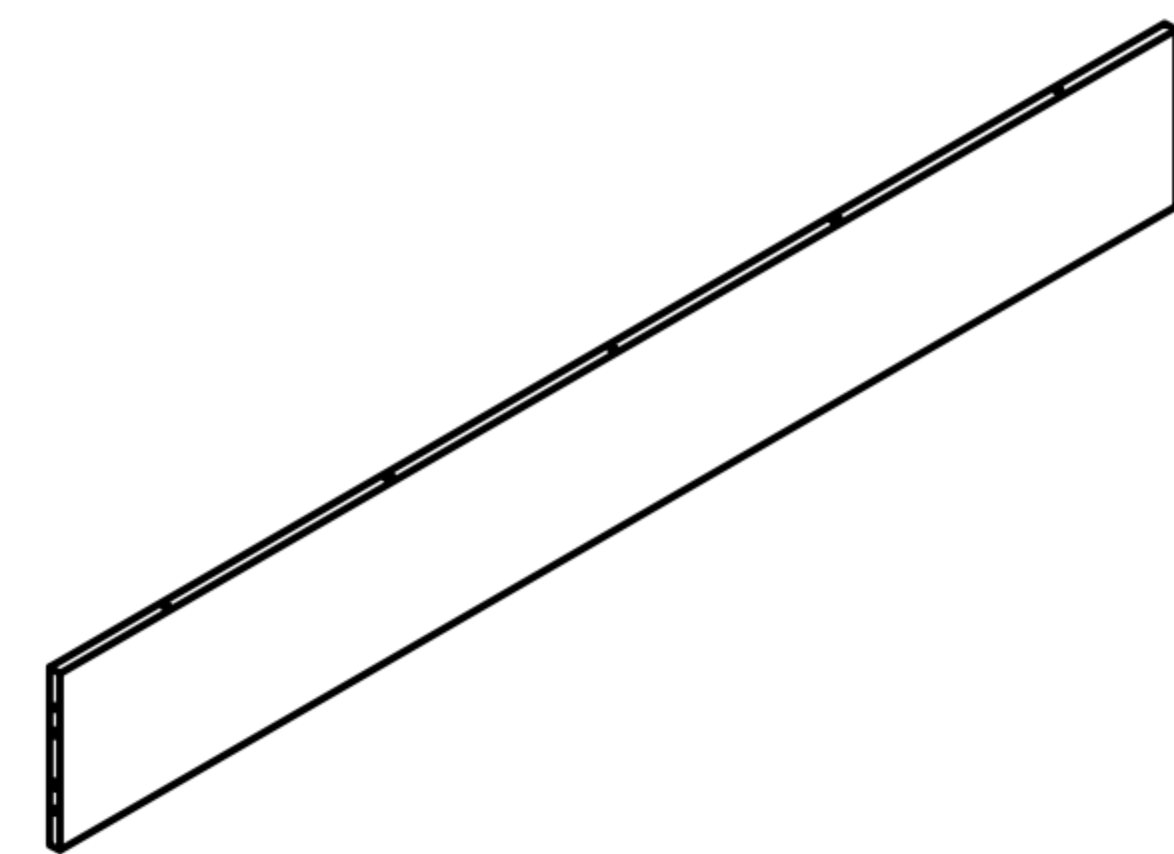
1600X50X15=1PC

⑦



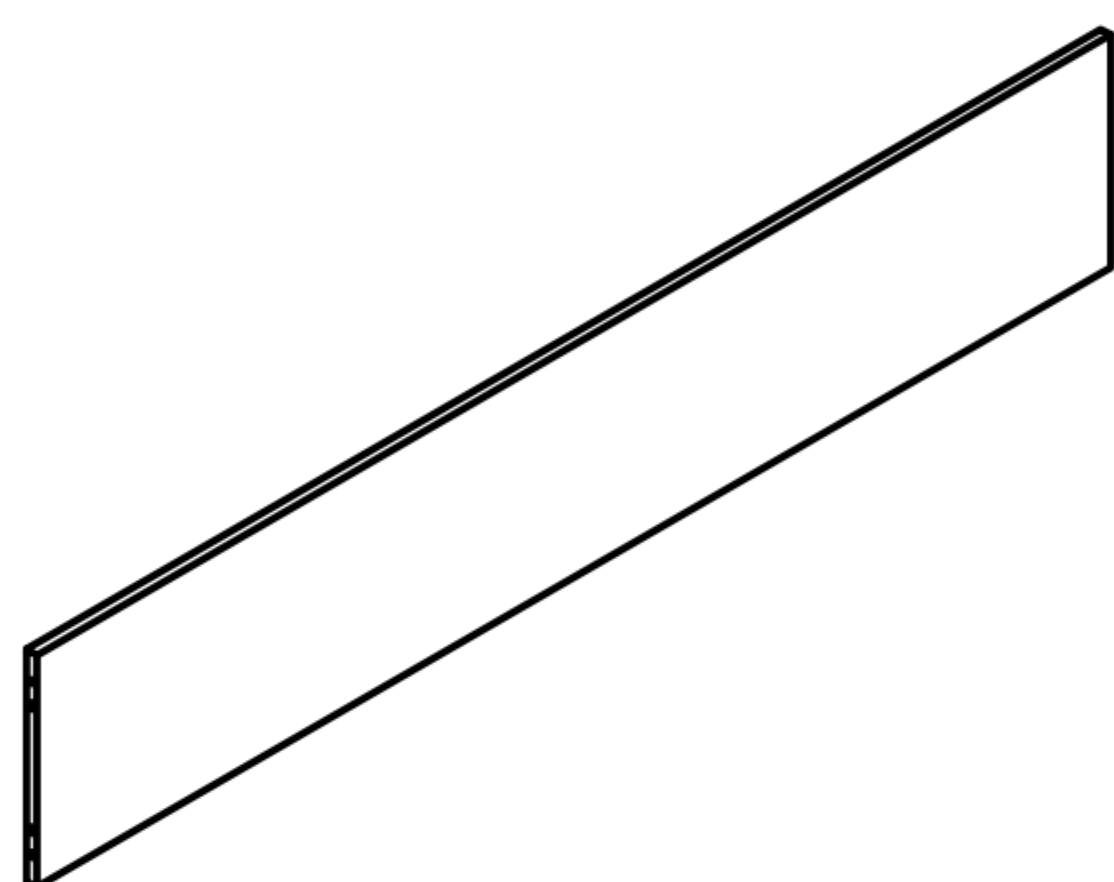
369X50X15=2PCS

⑧



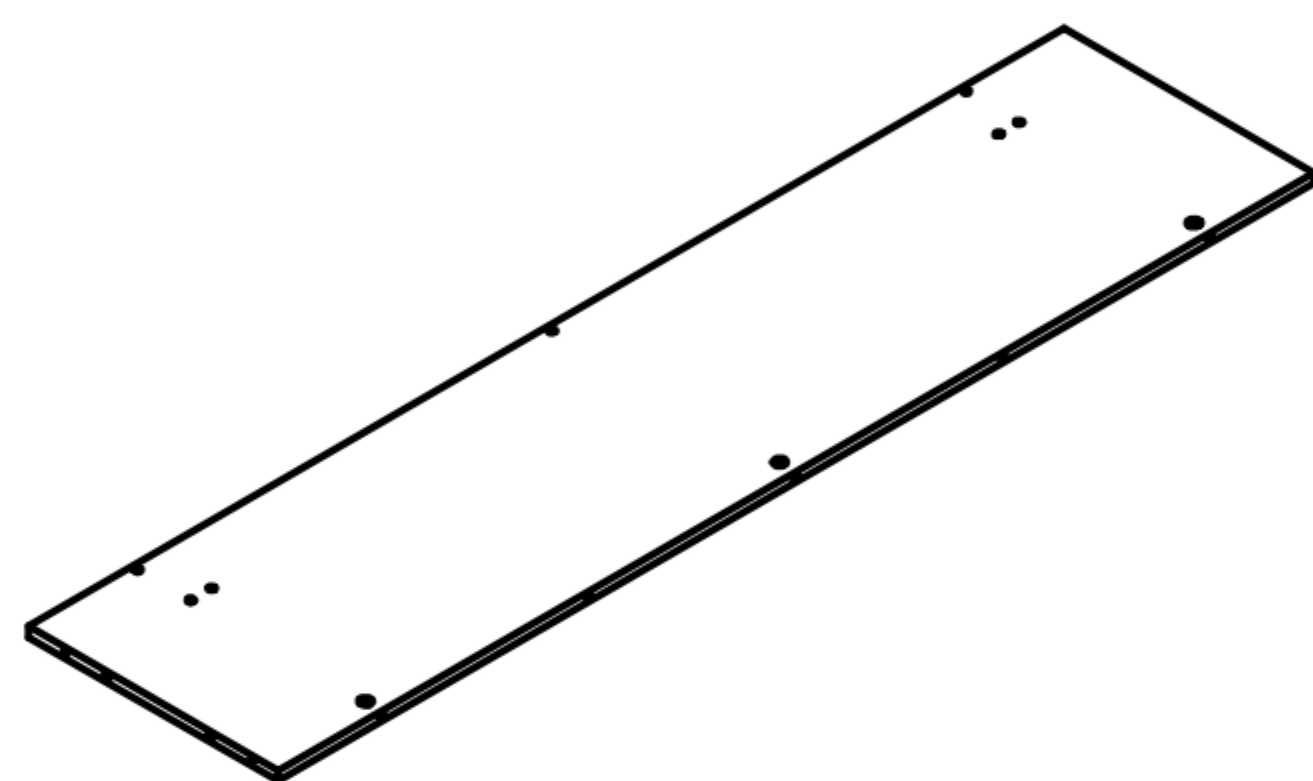
1600X220X15=1PC

⑨



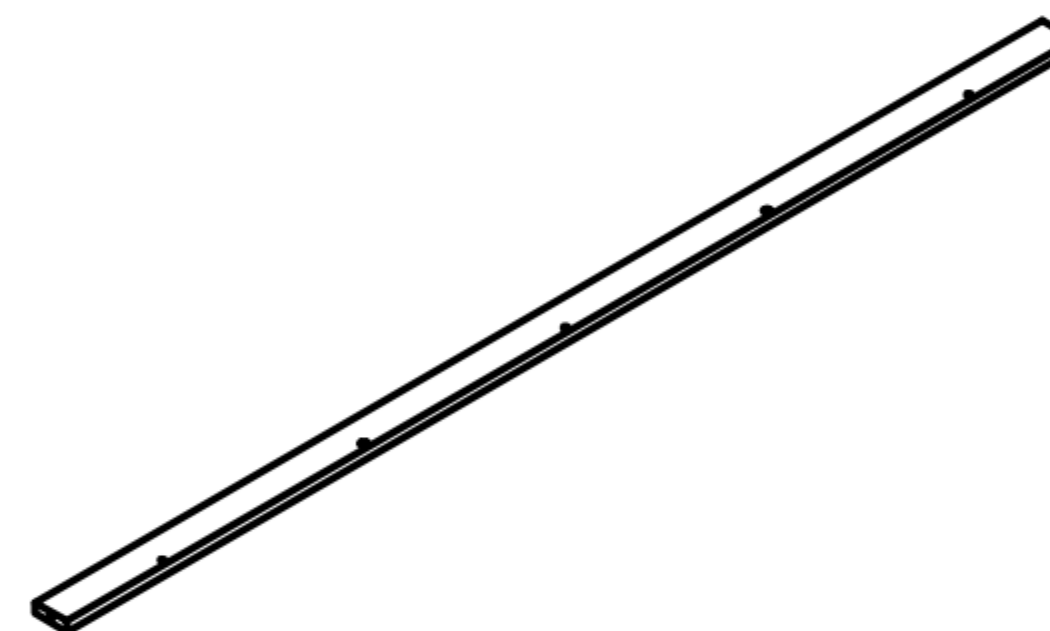
1600X300X15=1PC

⑩



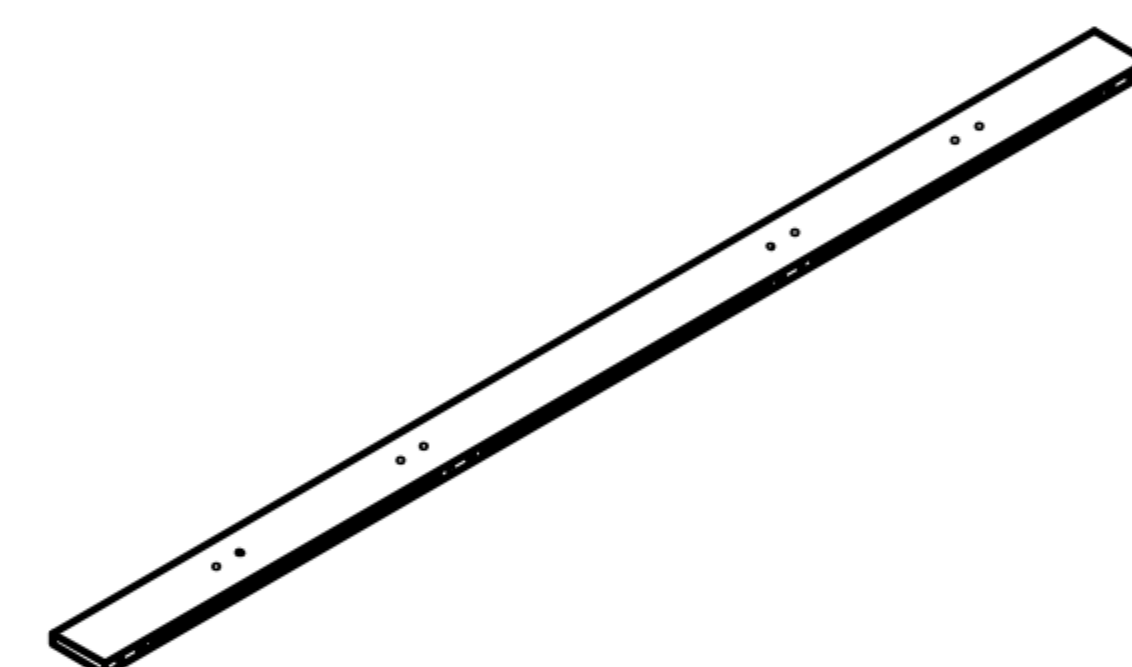
1600X385X15=1PC

⑪



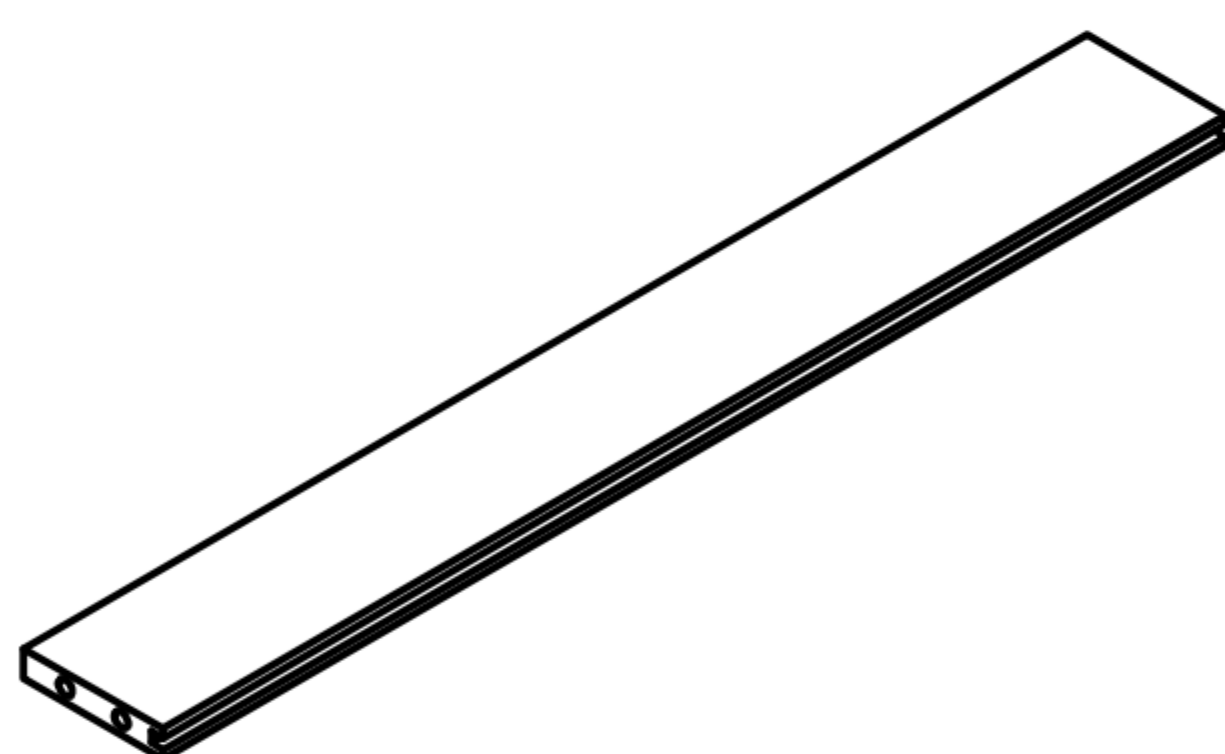
1600X50X15=1PC

⑫



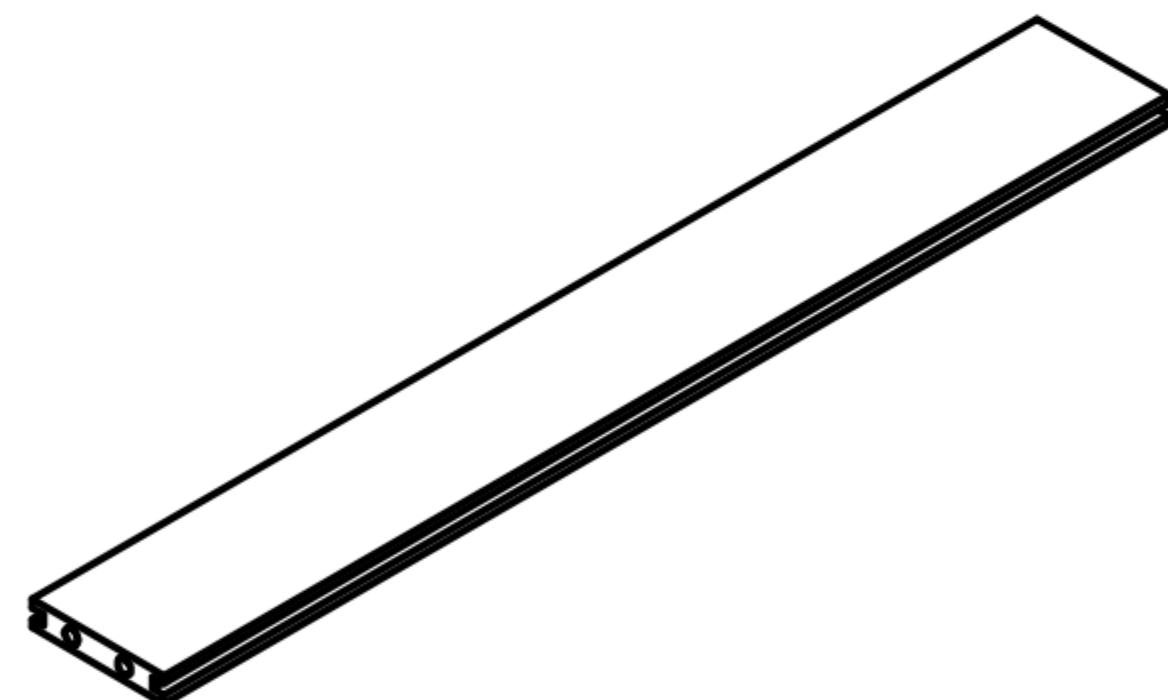
1586X80X15=2PCS

⑬



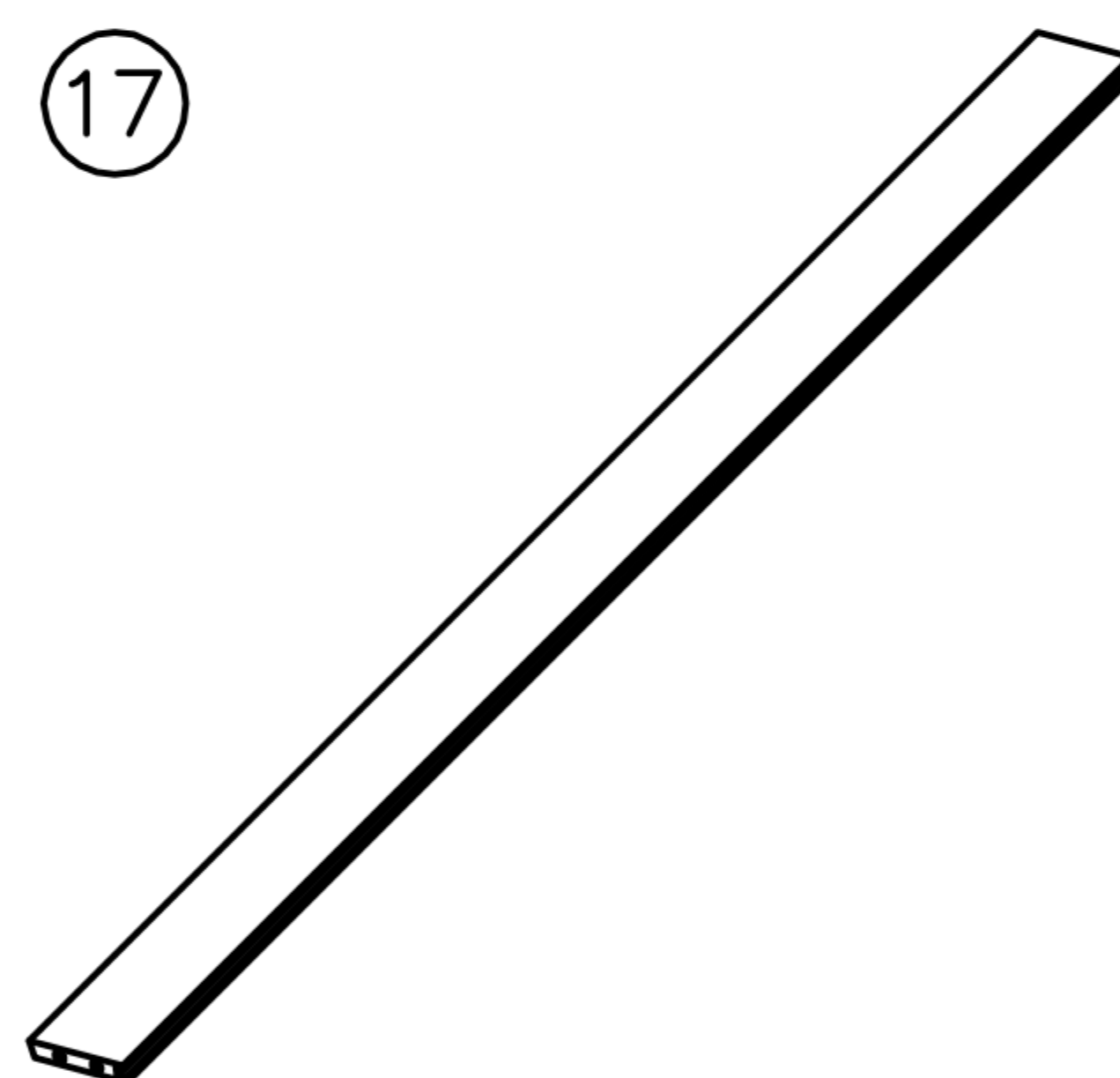
610X80X15=2PCS

⑭



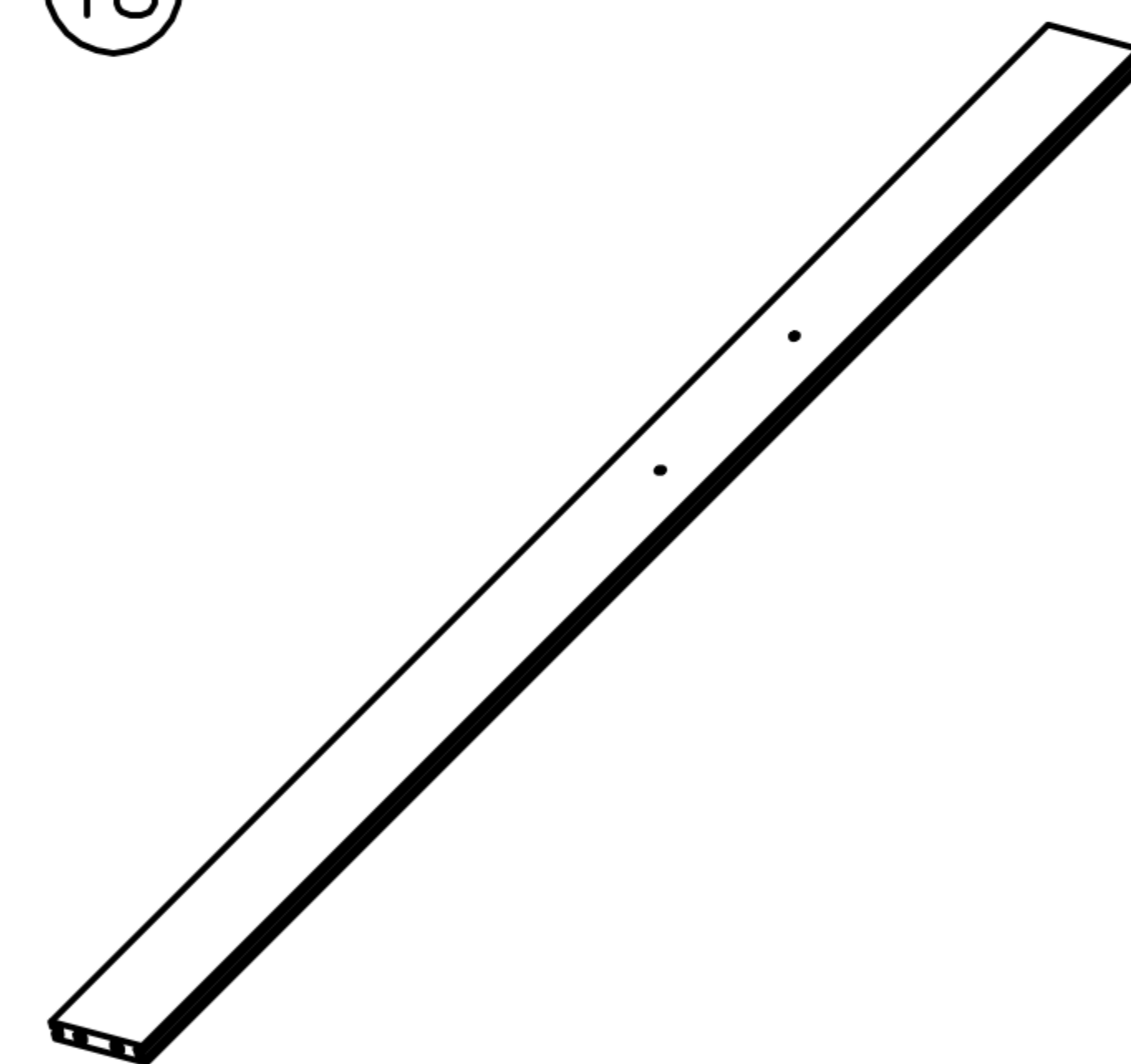
610X80X15=2PCS

⑰



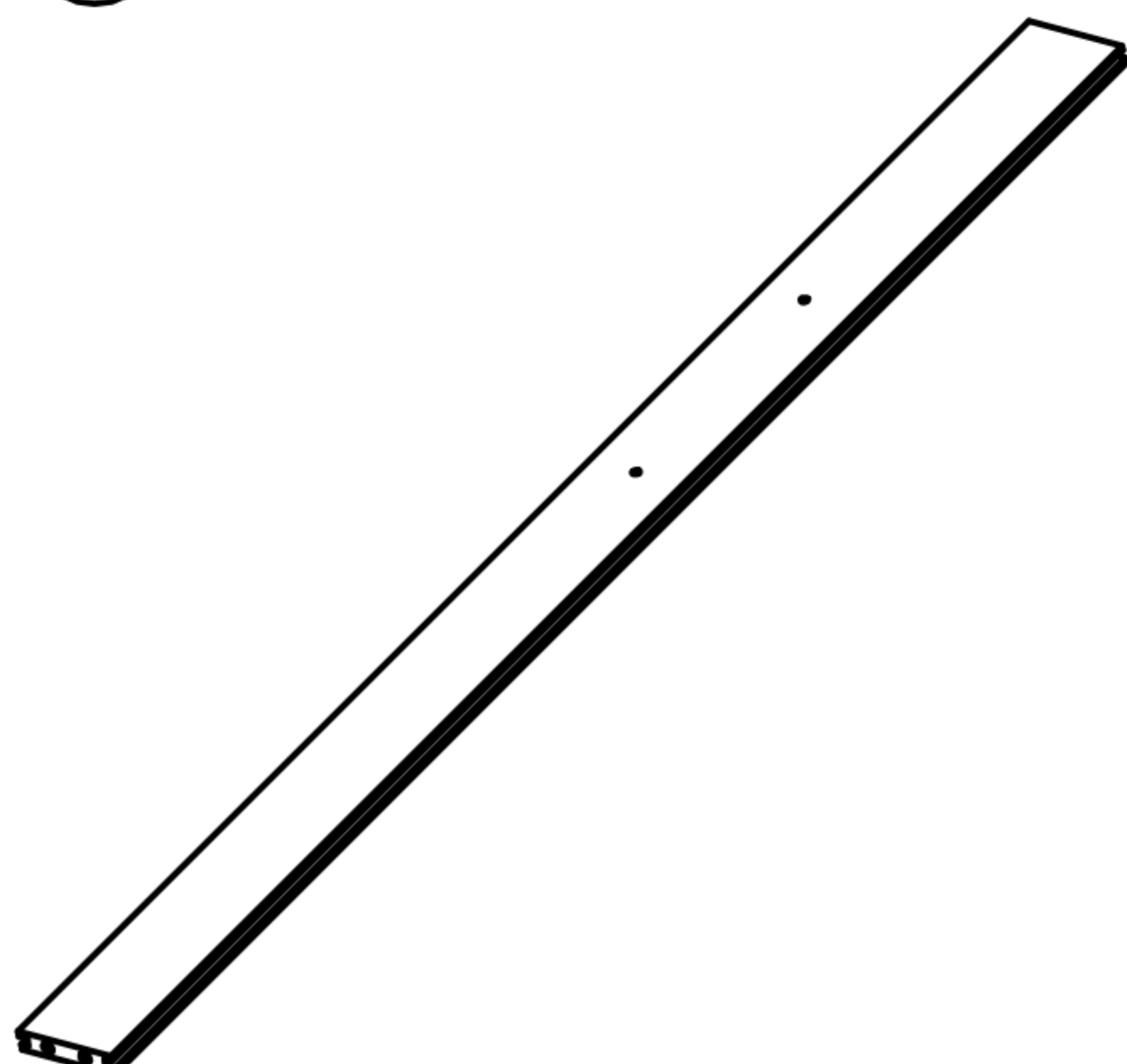
1190X80X15=1PC

⑱



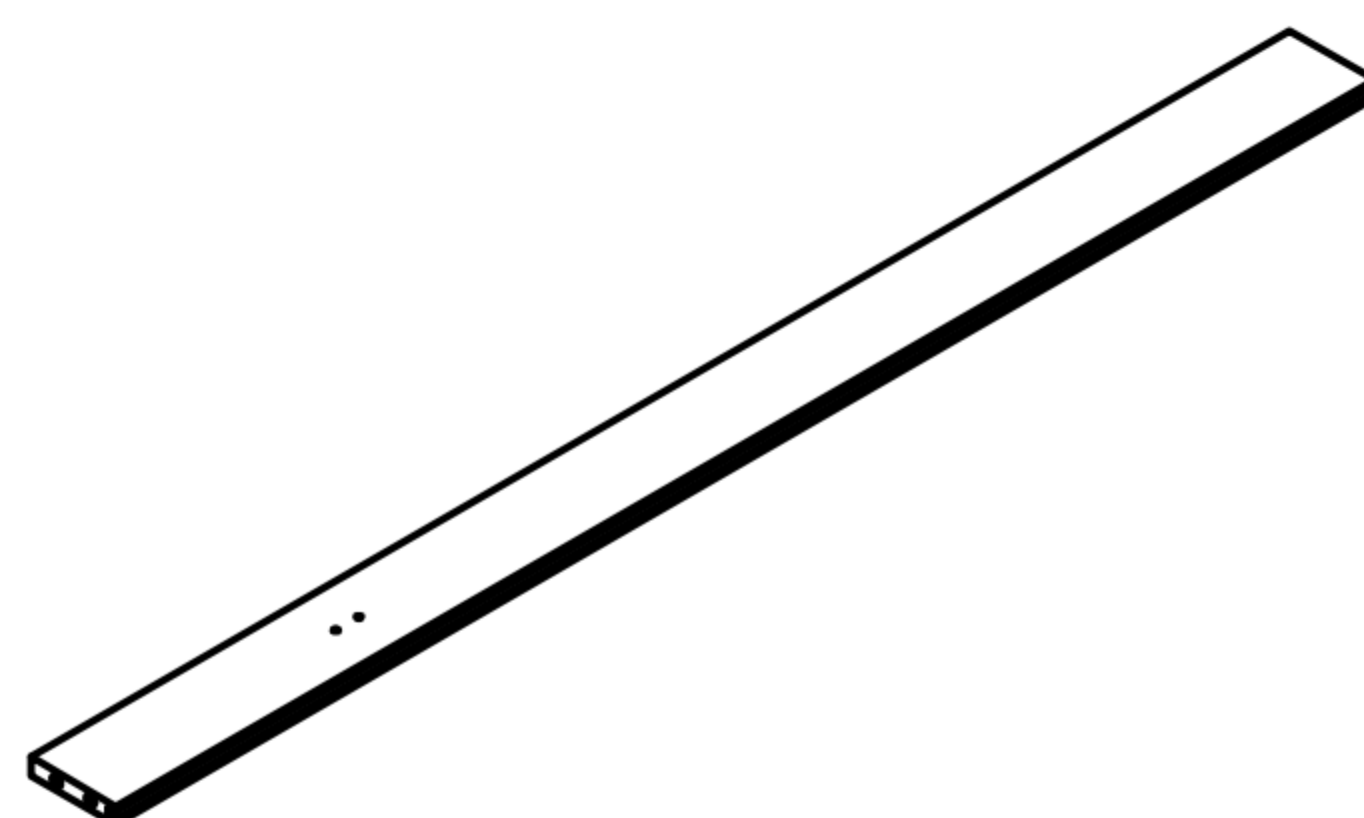
1190X80X15=1PC

⑲



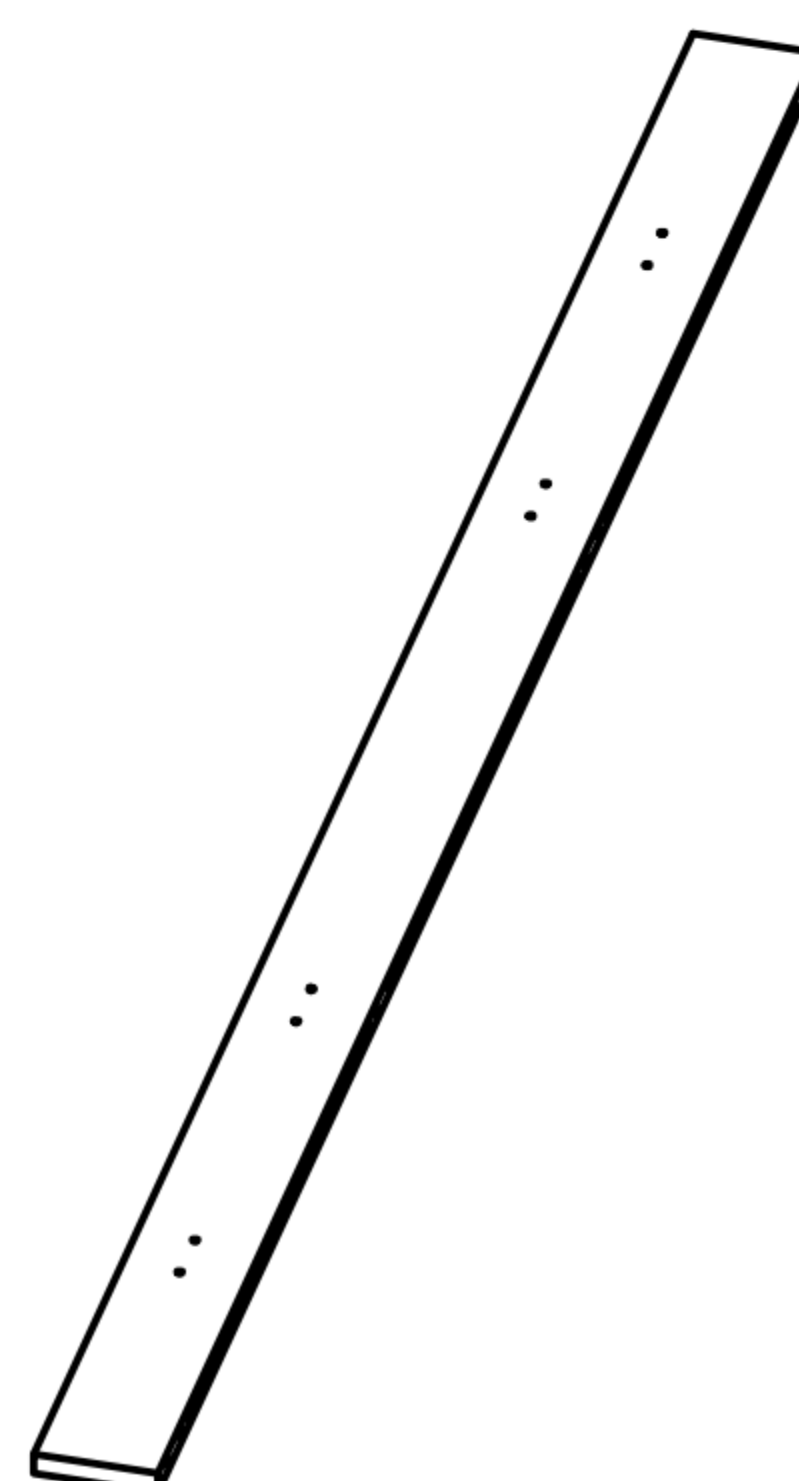
1190X80X15=1PC

⑳



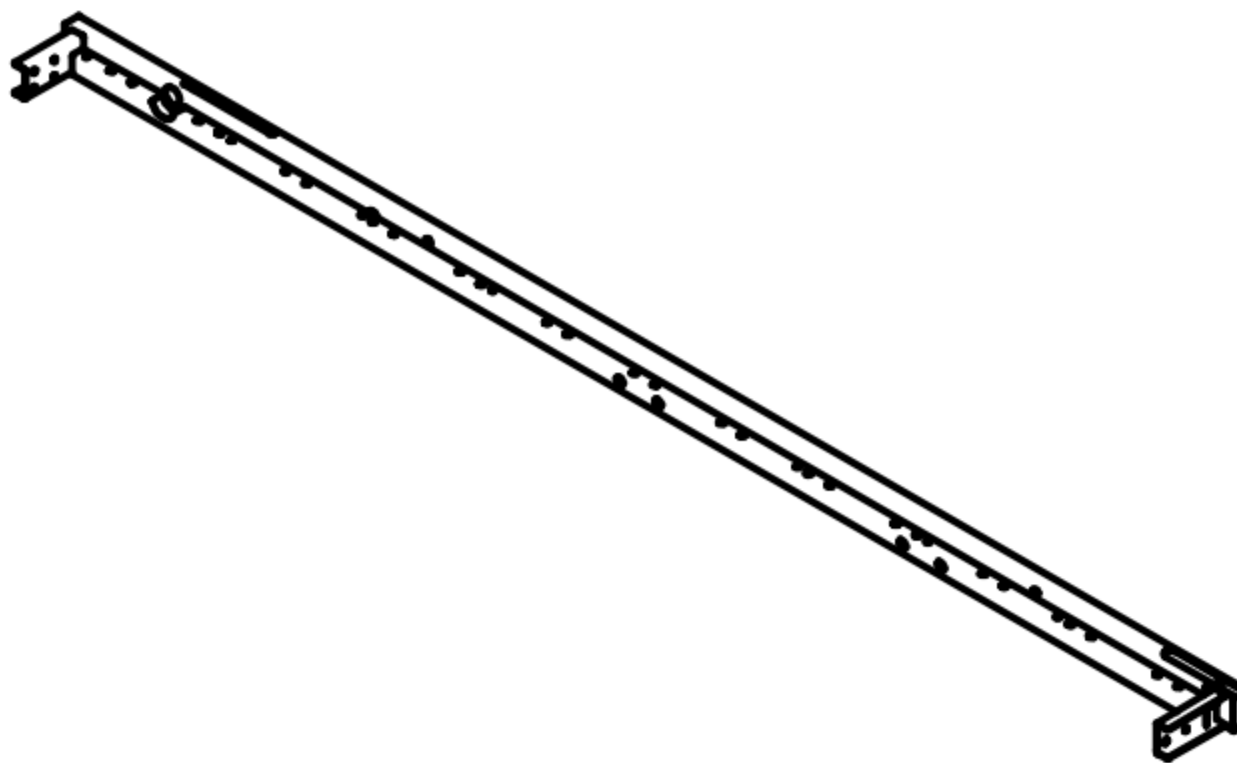
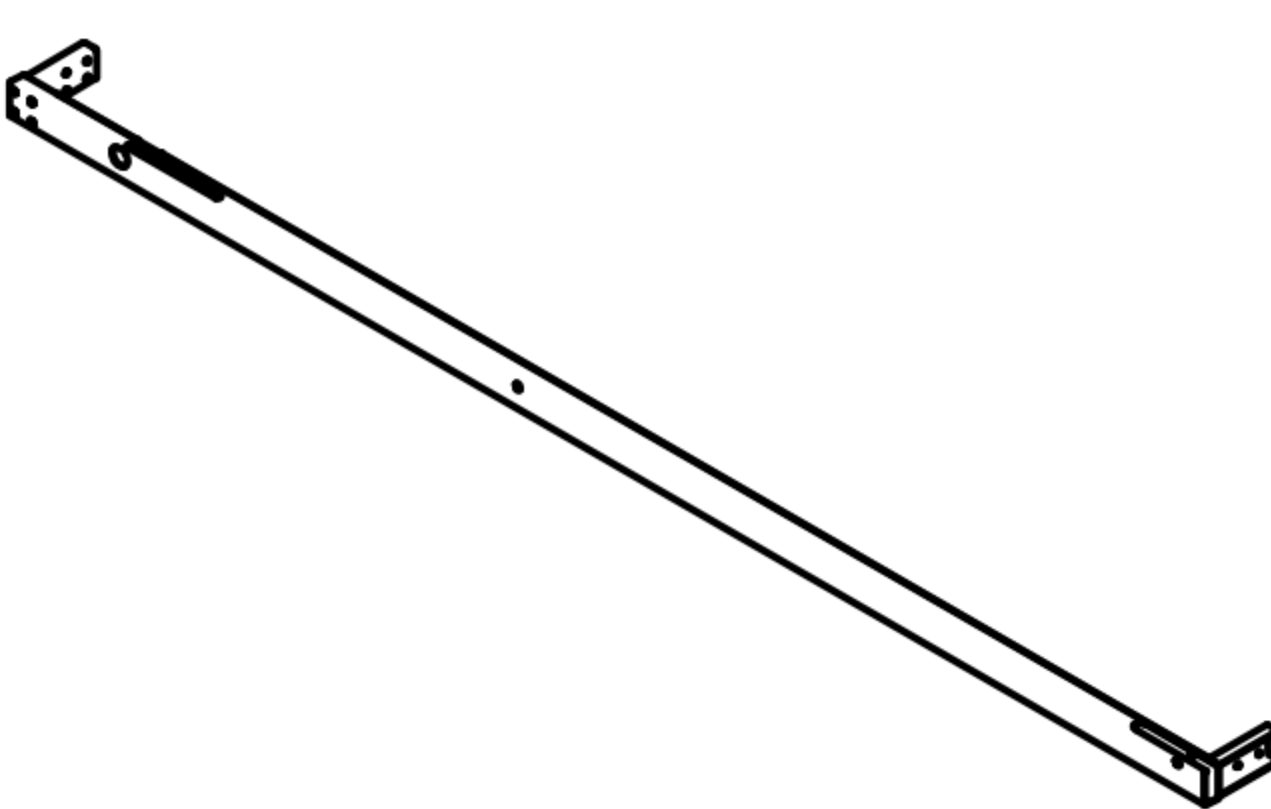
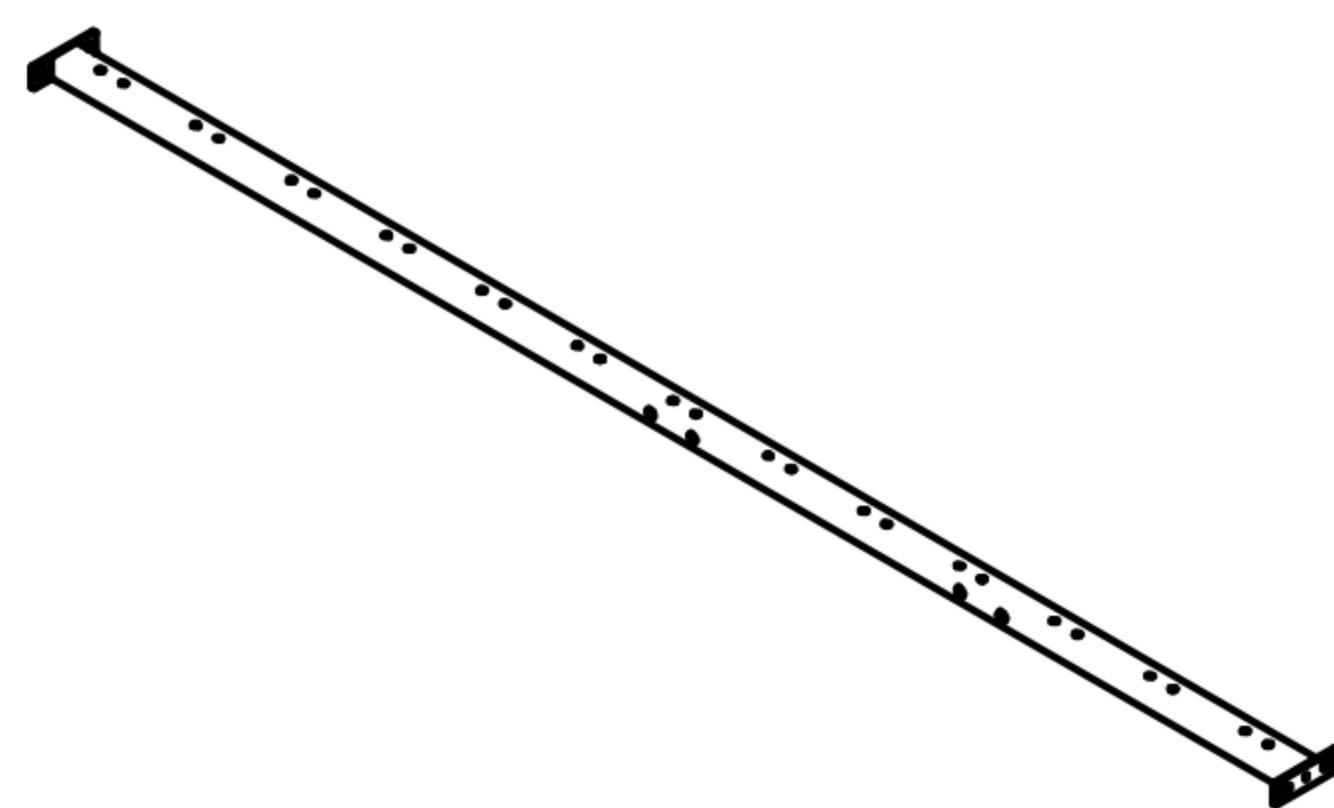
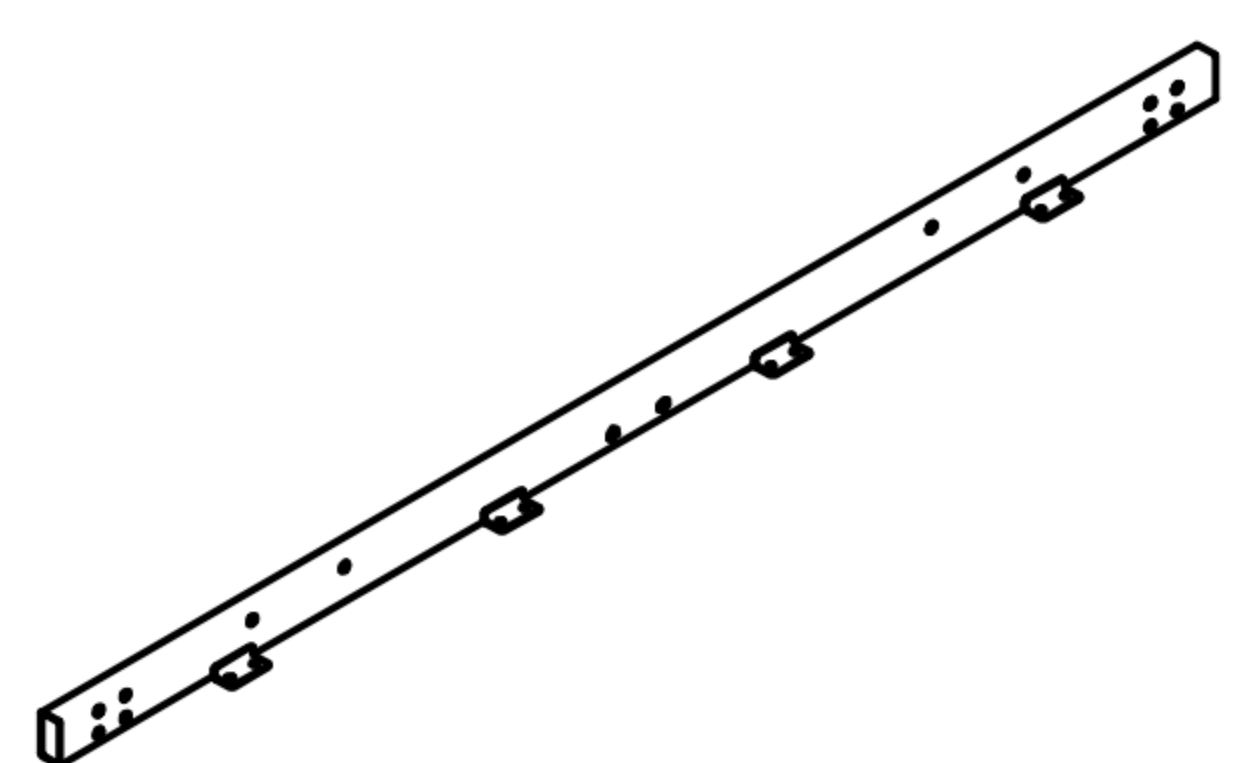
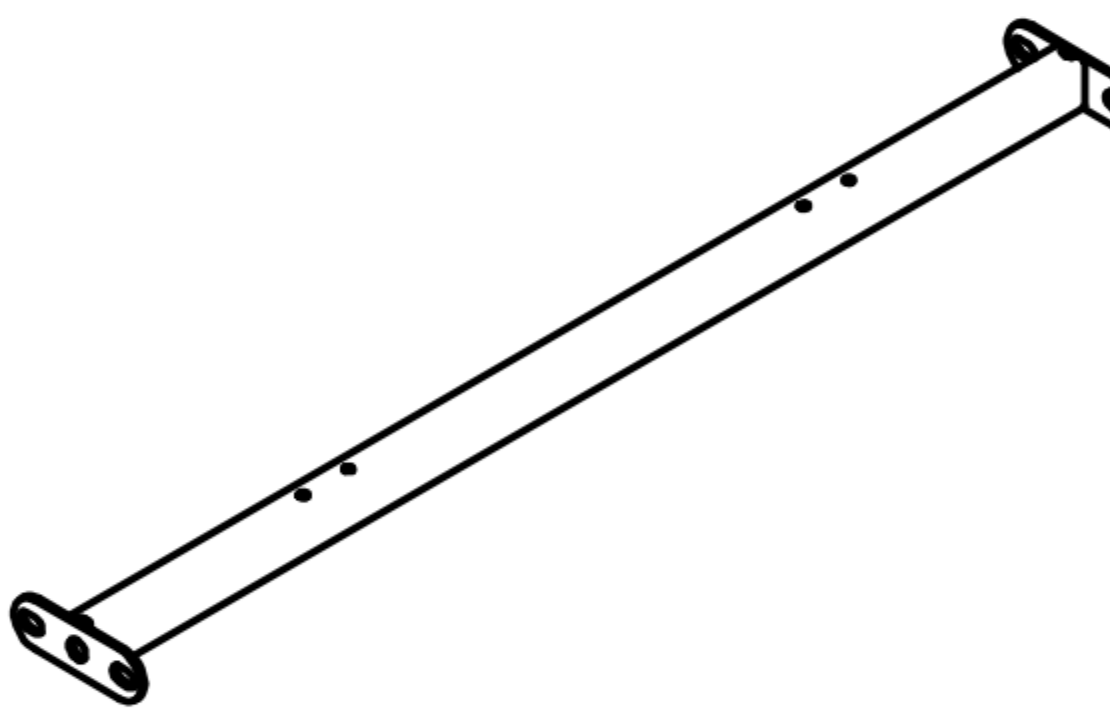
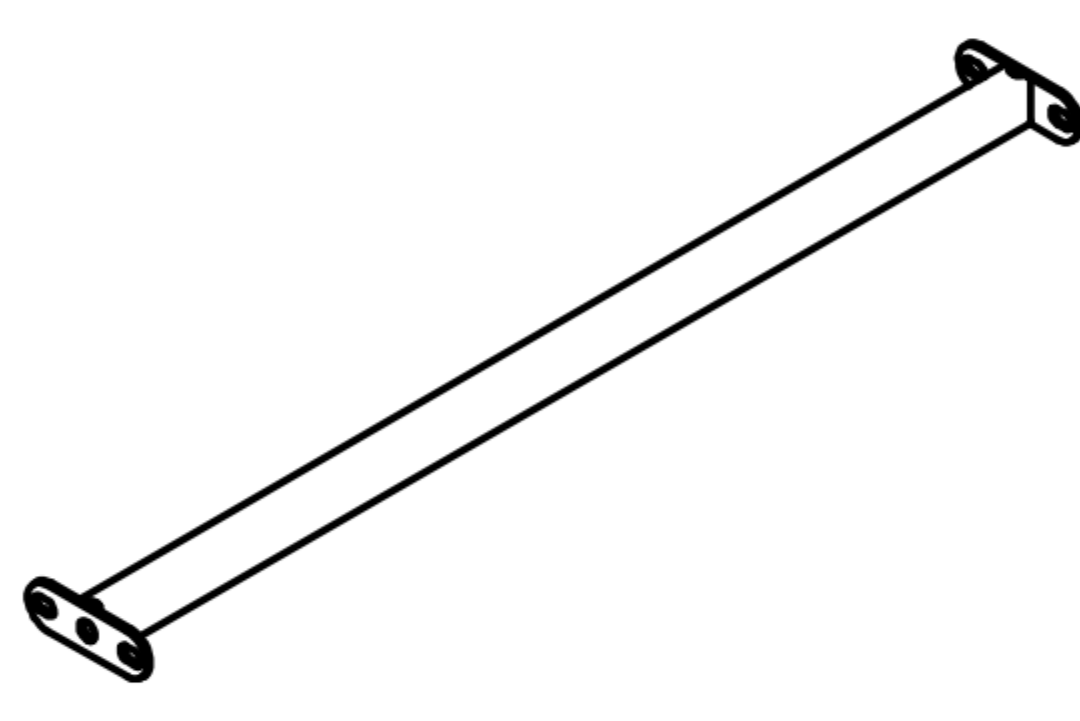
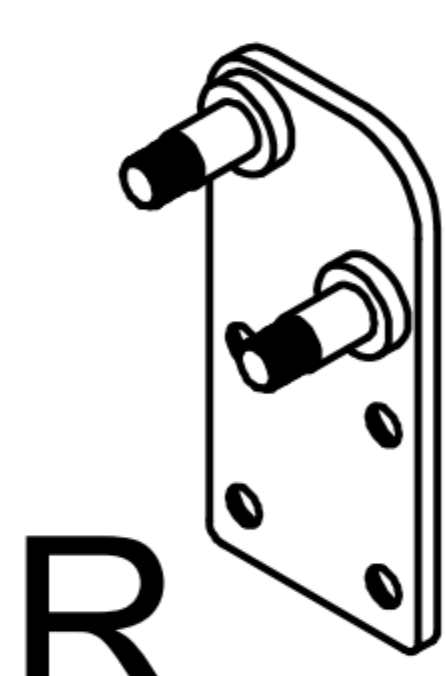
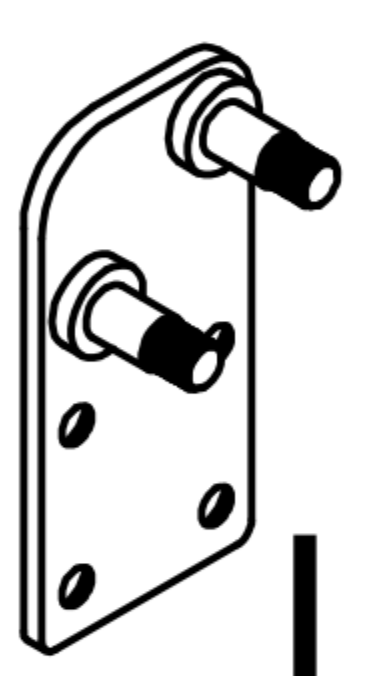
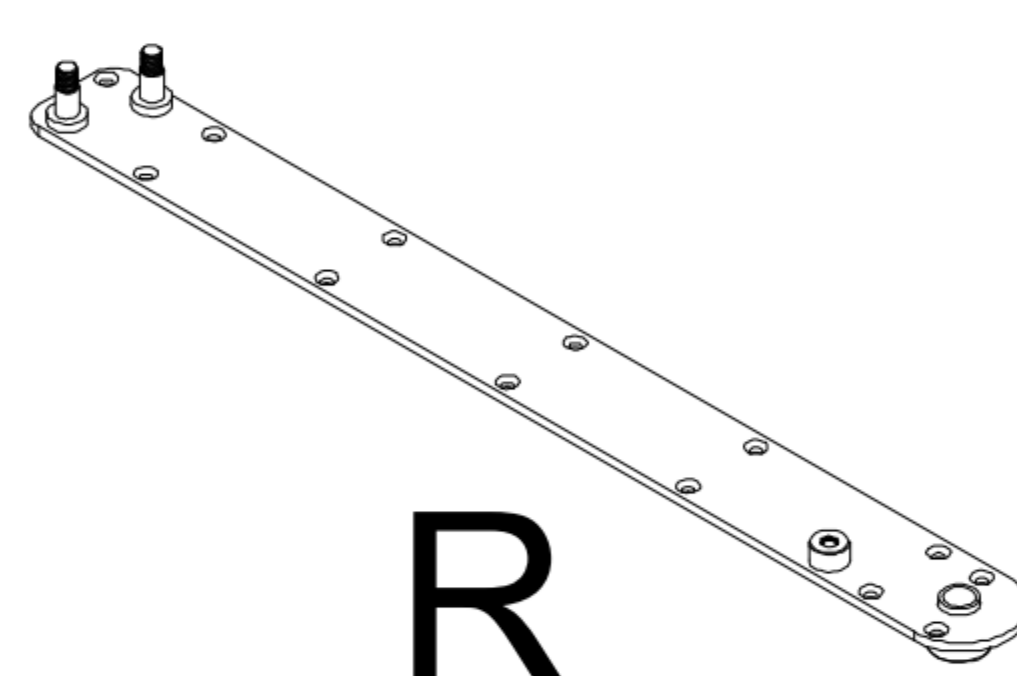
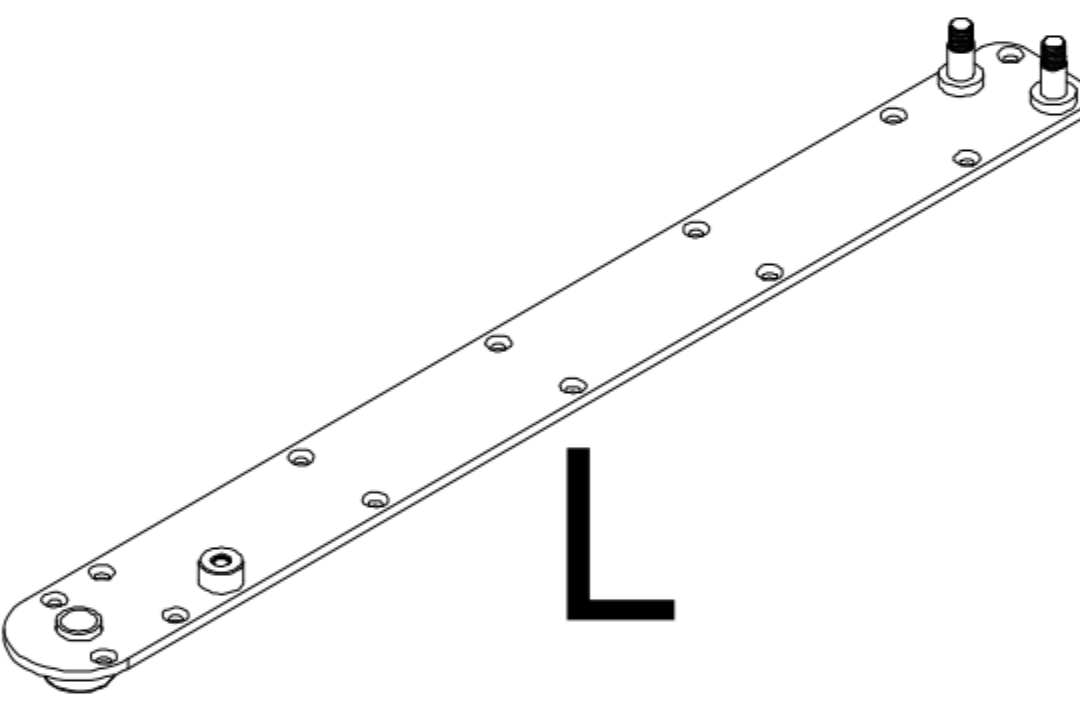
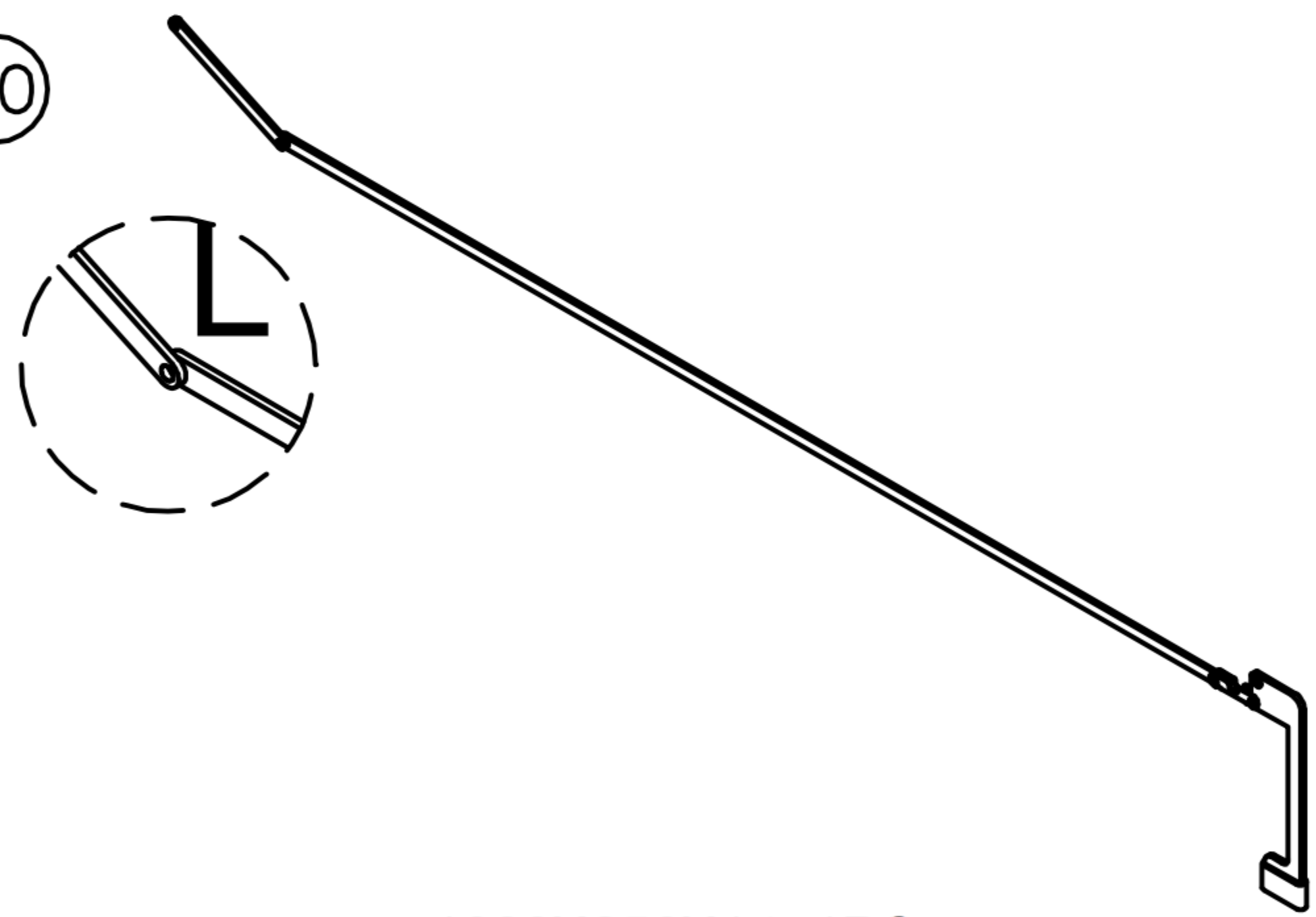
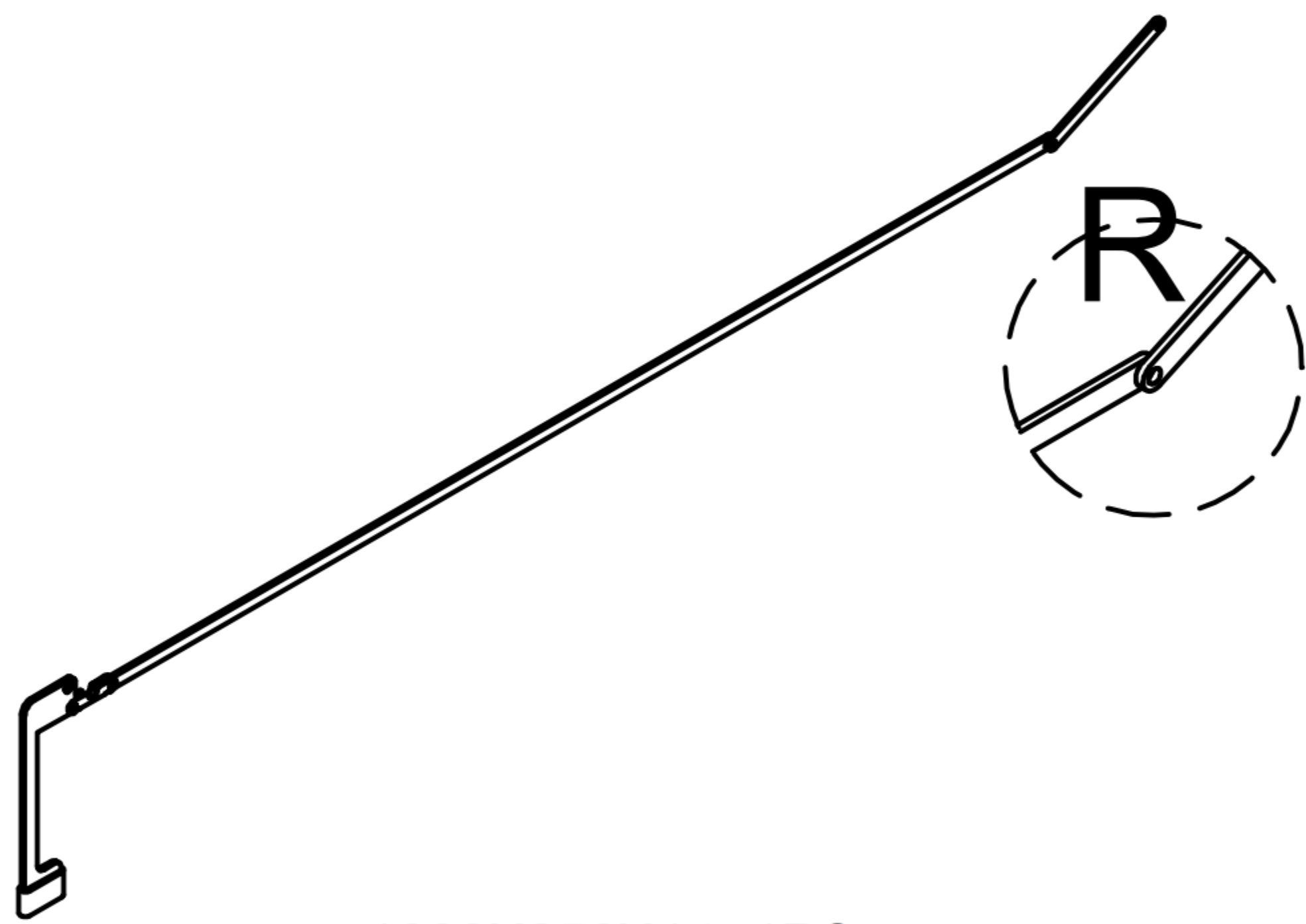
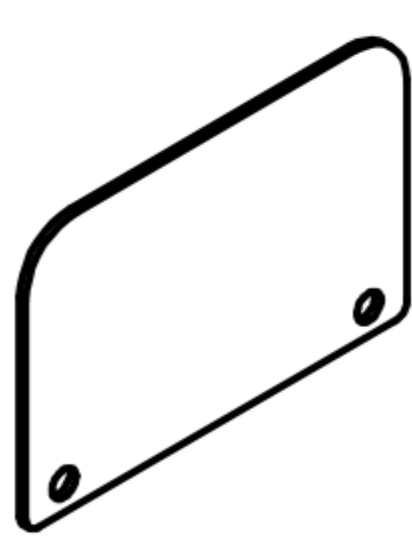
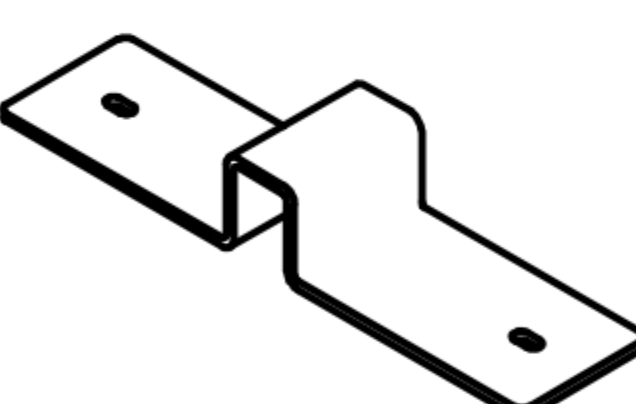
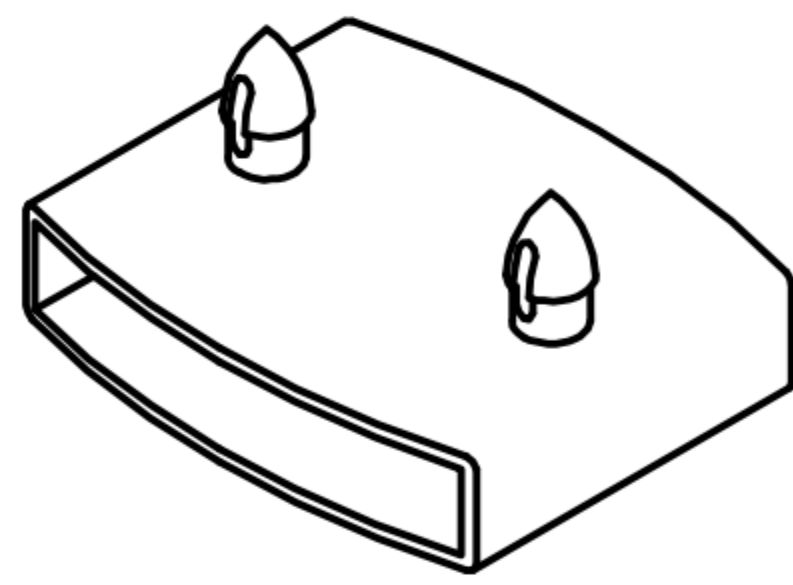
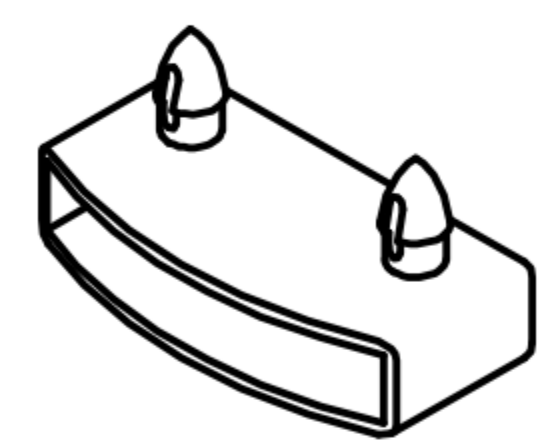
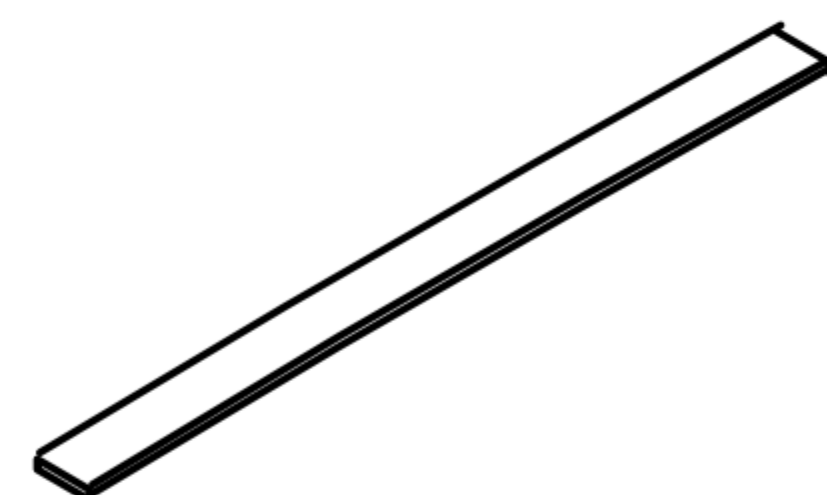
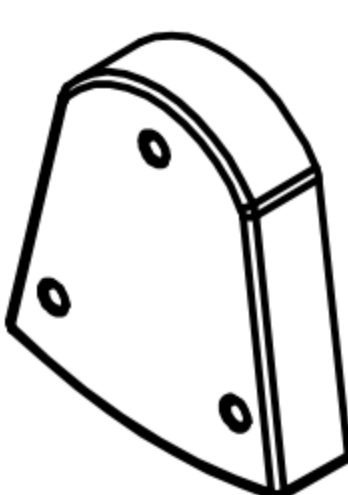
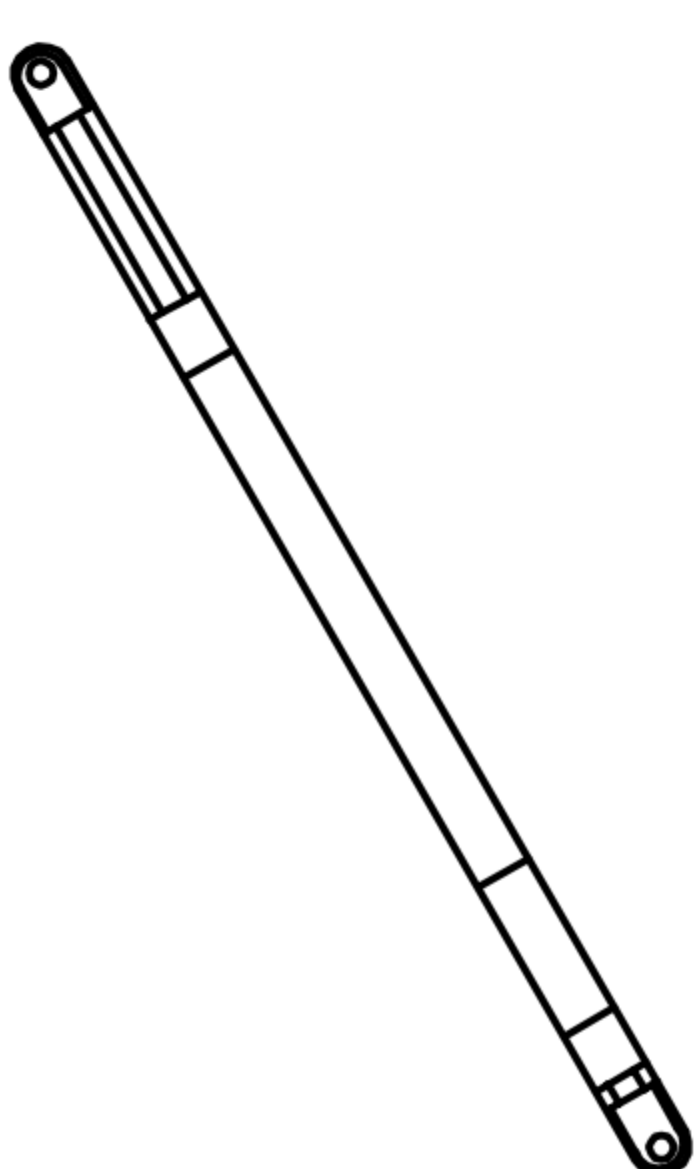
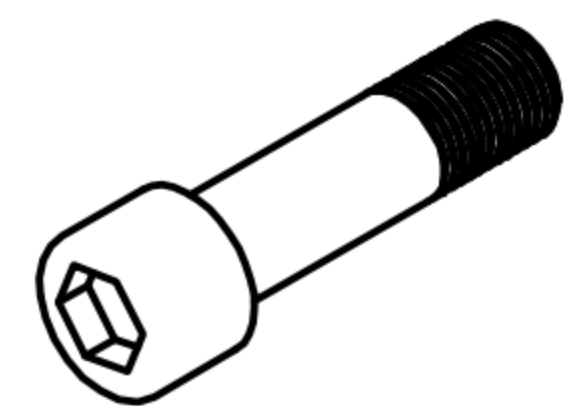

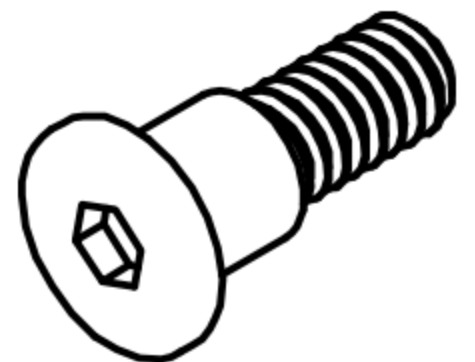
1190X80X15=1PC

㉑



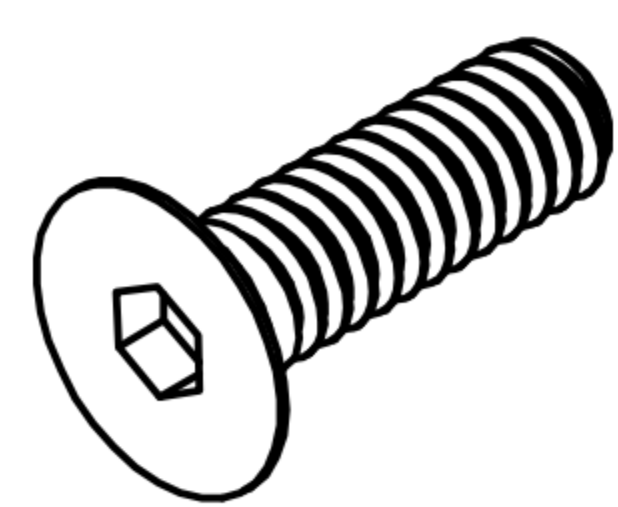
1586X80X15=1PC

BOX: W5290P457894

<p>39</p>  <p>2040X125X50=1PC</p>	<p>40</p>  <p>2040X125X50=1PC</p>	<p>41</p>  <p>1986X100X30=1PC</p>	<p>42</p>  <p>1535X50X49=2PCS</p>	
<p>44</p>  <p>723X100X30=2PCS</p>	<p>45</p>  <p>723X100X30=2PCS</p>	<p>46 (R)</p>  <p>R</p> <p>93X45X33=1PC</p>	<p>47 (L)</p>  <p>L</p> <p>93X45X33=1PC</p>	<p>48 (R)</p>  <p>R</p> <p>500X50X33=1PC</p>
<p>49 (L)</p>  <p>L</p> <p>500X50X33=1PC</p>	<p>50</p>  <p>L</p> <p>1933X258X14=1PC</p>	<p>51</p>  <p>R</p> <p>1933X258X14=1PC</p>		
<p>52</p>  <p>150X100X2.5=2PCS</p>	<p>53</p>  <p>206X50X33=2PCS</p>	<p>54</p>  <p>57X48X26.5=13PCS</p>	<p>55</p>  <p>57X29X27=26PCS</p>	<p>56</p>  <p>760X52X9=26PCS</p>
<p>57</p>  <p>144X123X33=2PCS</p>	<p>58</p>  <p>605X22=4PCS</p>	<p>59</p>  <p>M12X45=2PCS</p>	<p>60</p>  <p>Φ12X24X1.5=2PCS</p>	<p>61</p>  <p>7.8XM6X19=2PCS</p>

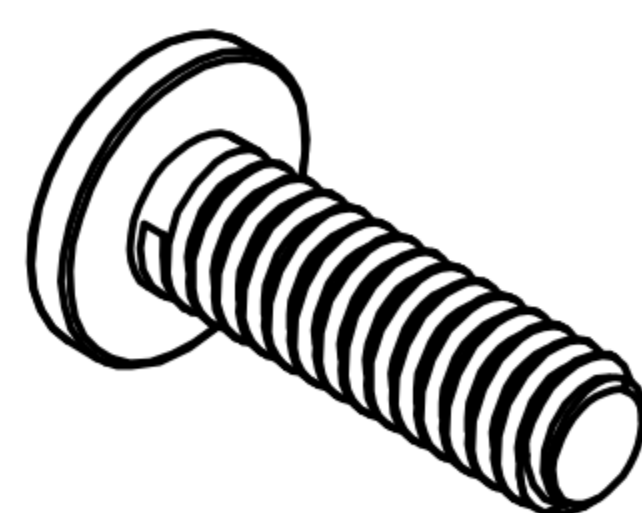
BOX: W5290P457894

62



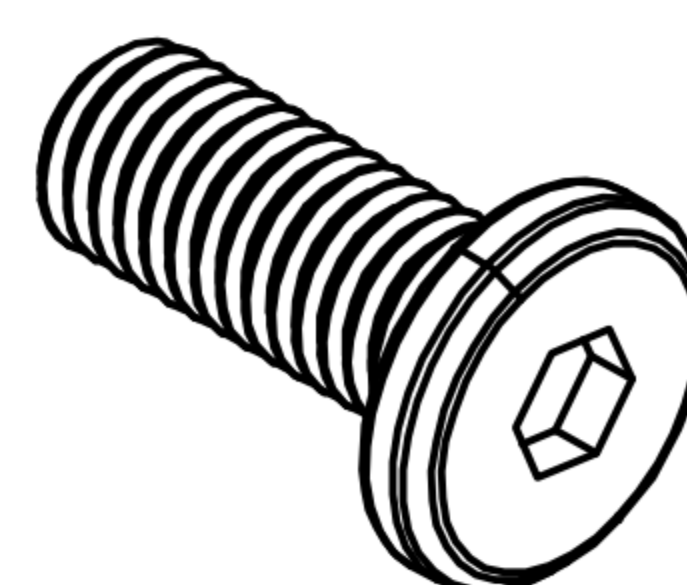
M6X20=8PCS

63



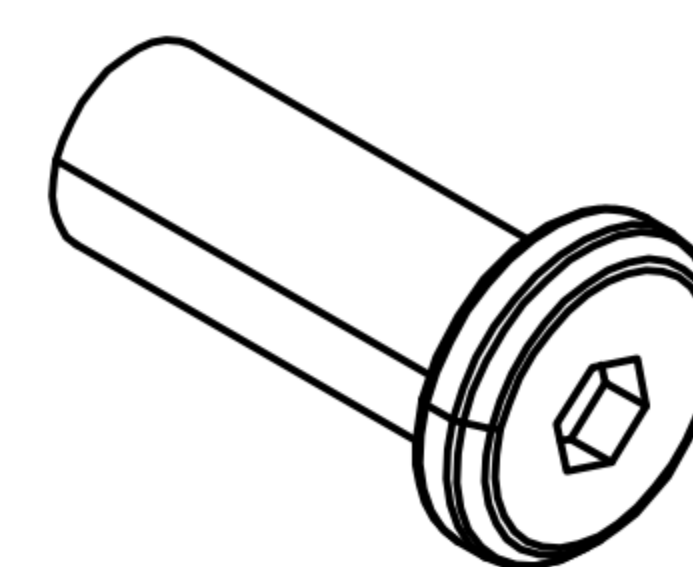
M6X20=13PCS

64



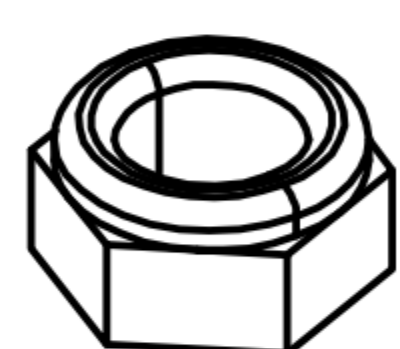
M8X20=37PCS

65



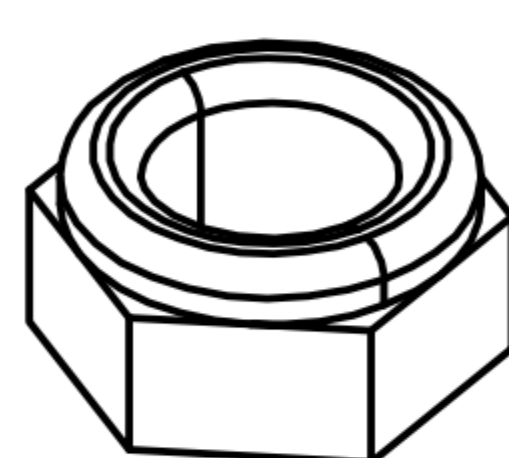
M6X20XΦ8=4PCS

66



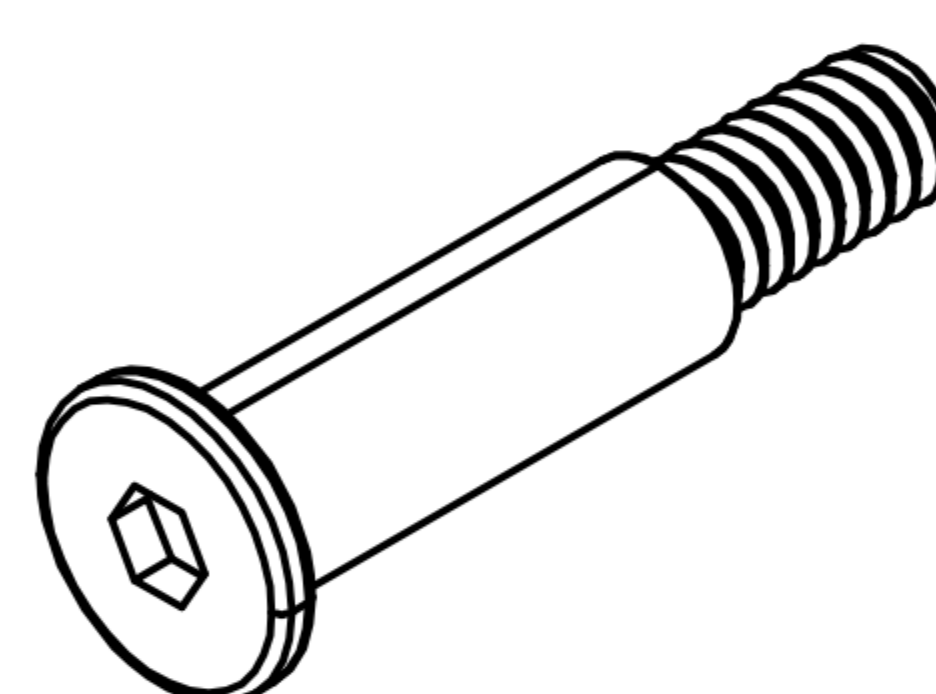
M6=2PCS

67



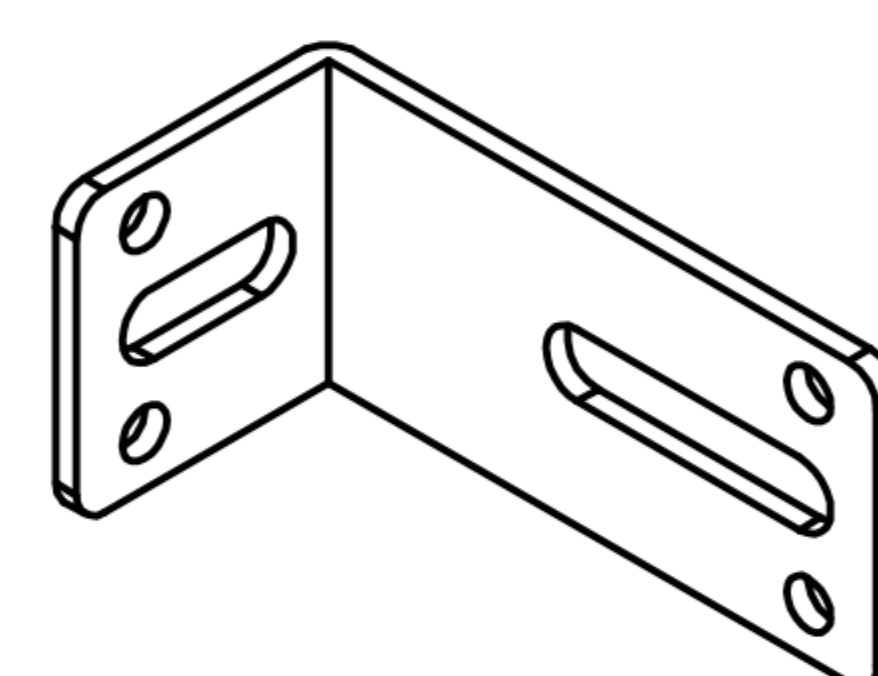
M8=8PCS

68



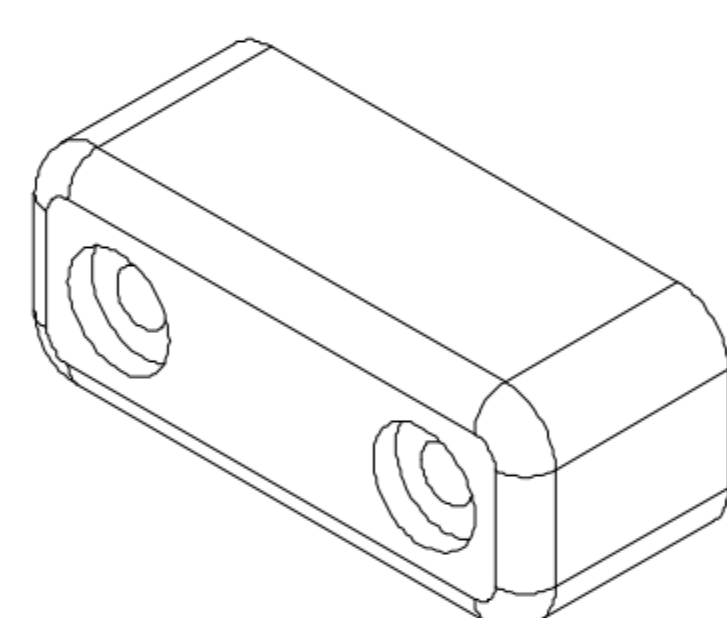
7.8XM6X35=2PCS

69



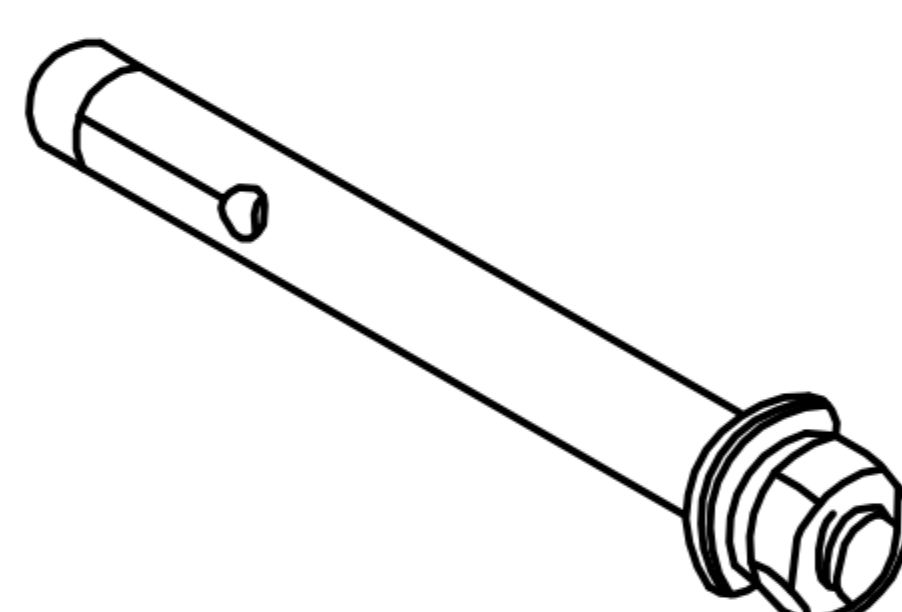
98X48X49=4PCS

70



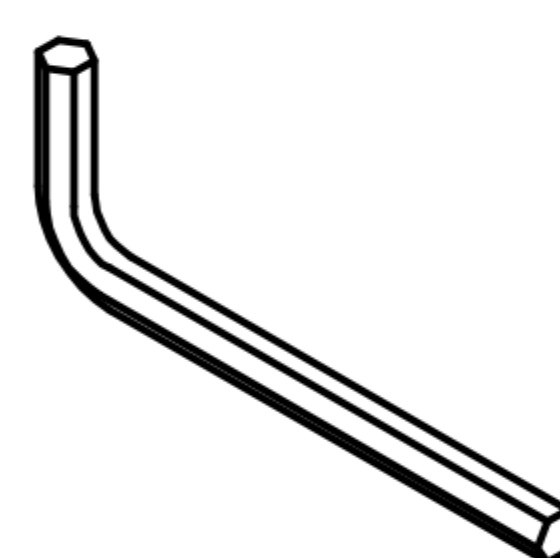
50X20X20=2PCS

71



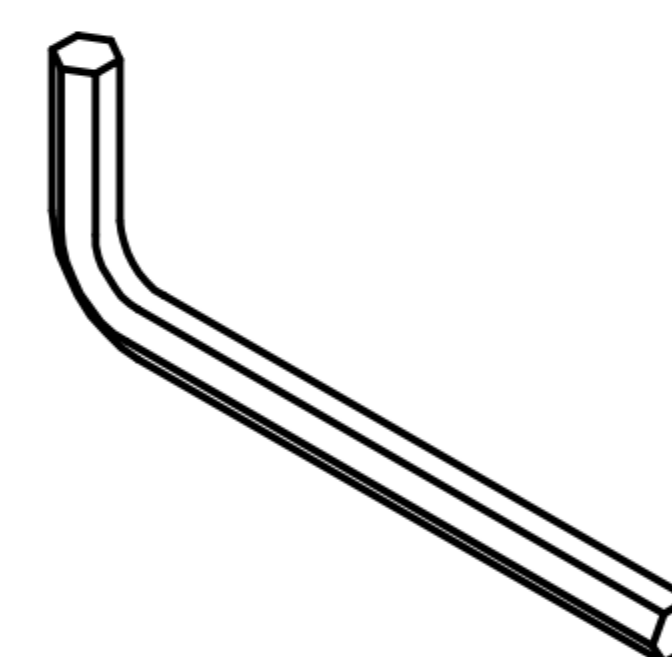
8X100=4PCS

72



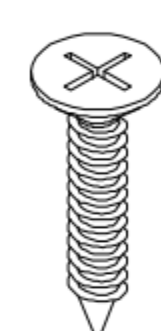
4MM=1PC

73



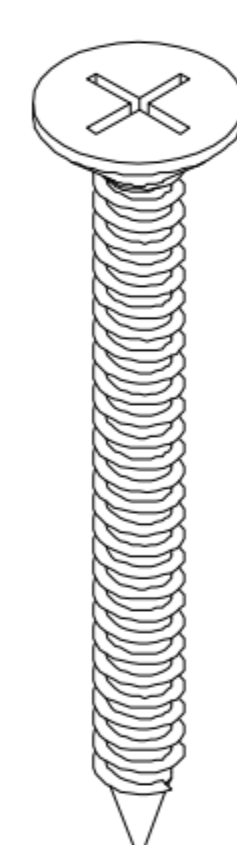
5MM=1PC

74



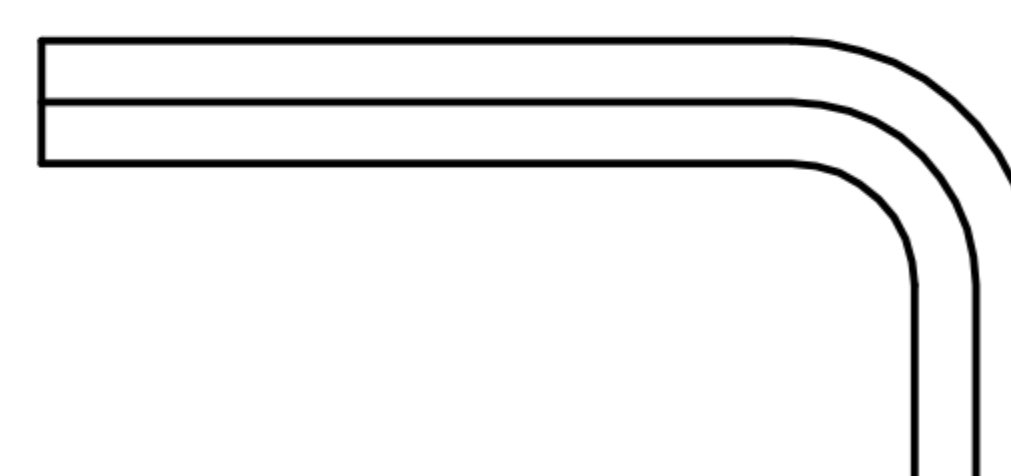
M4X16=16+1PCS

75



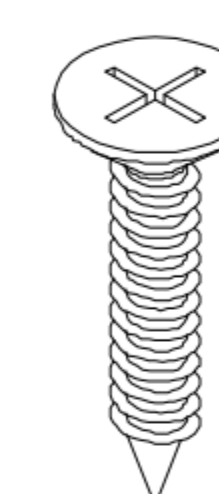
M4X42=24+2PCS

76



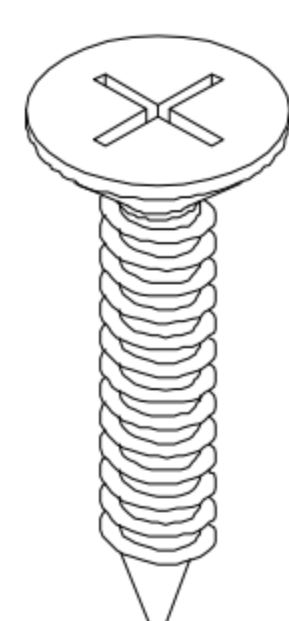
M10=1PC

77



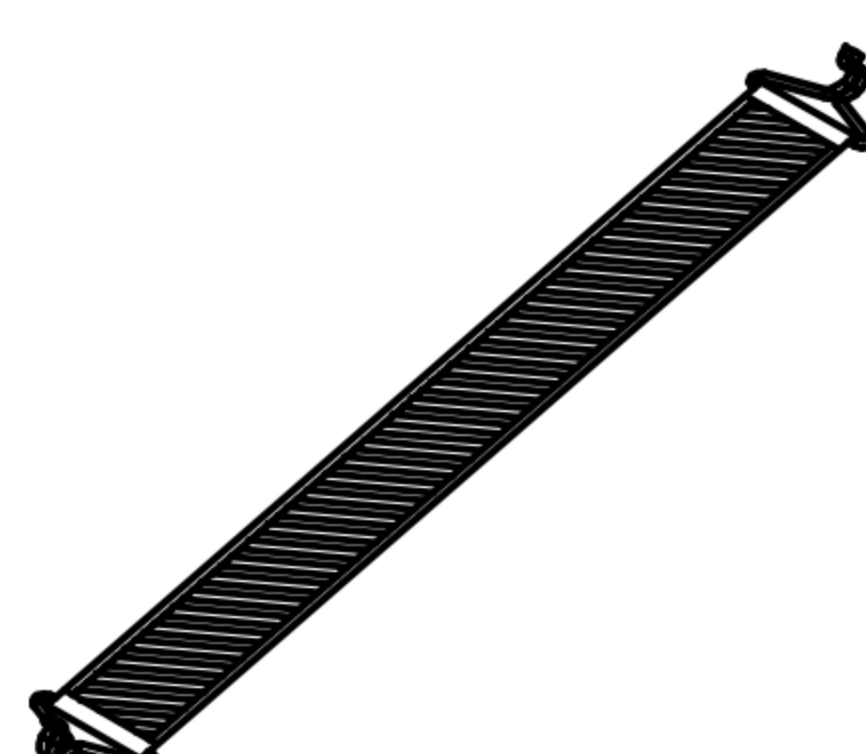
M4X20=26+2PCS

78



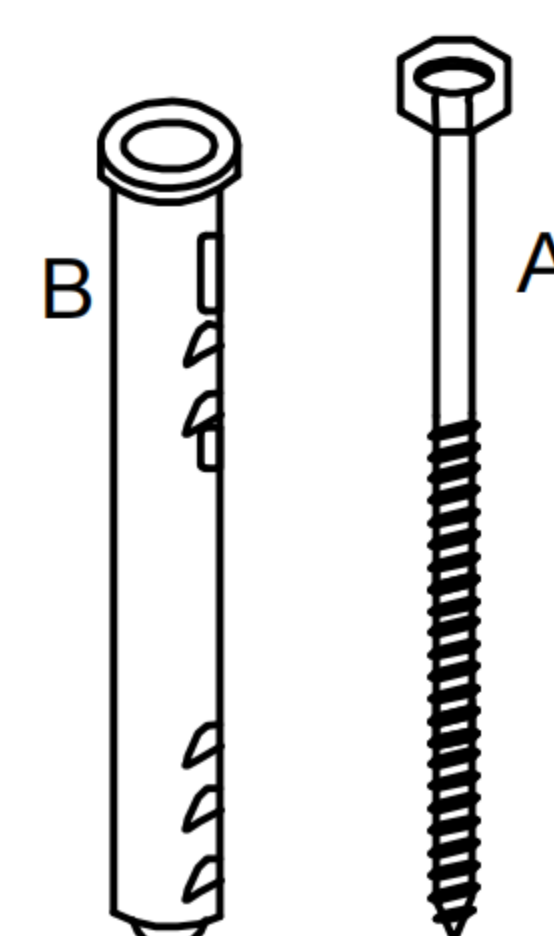
M4X35=10+1PCS

79



=2PCS

80

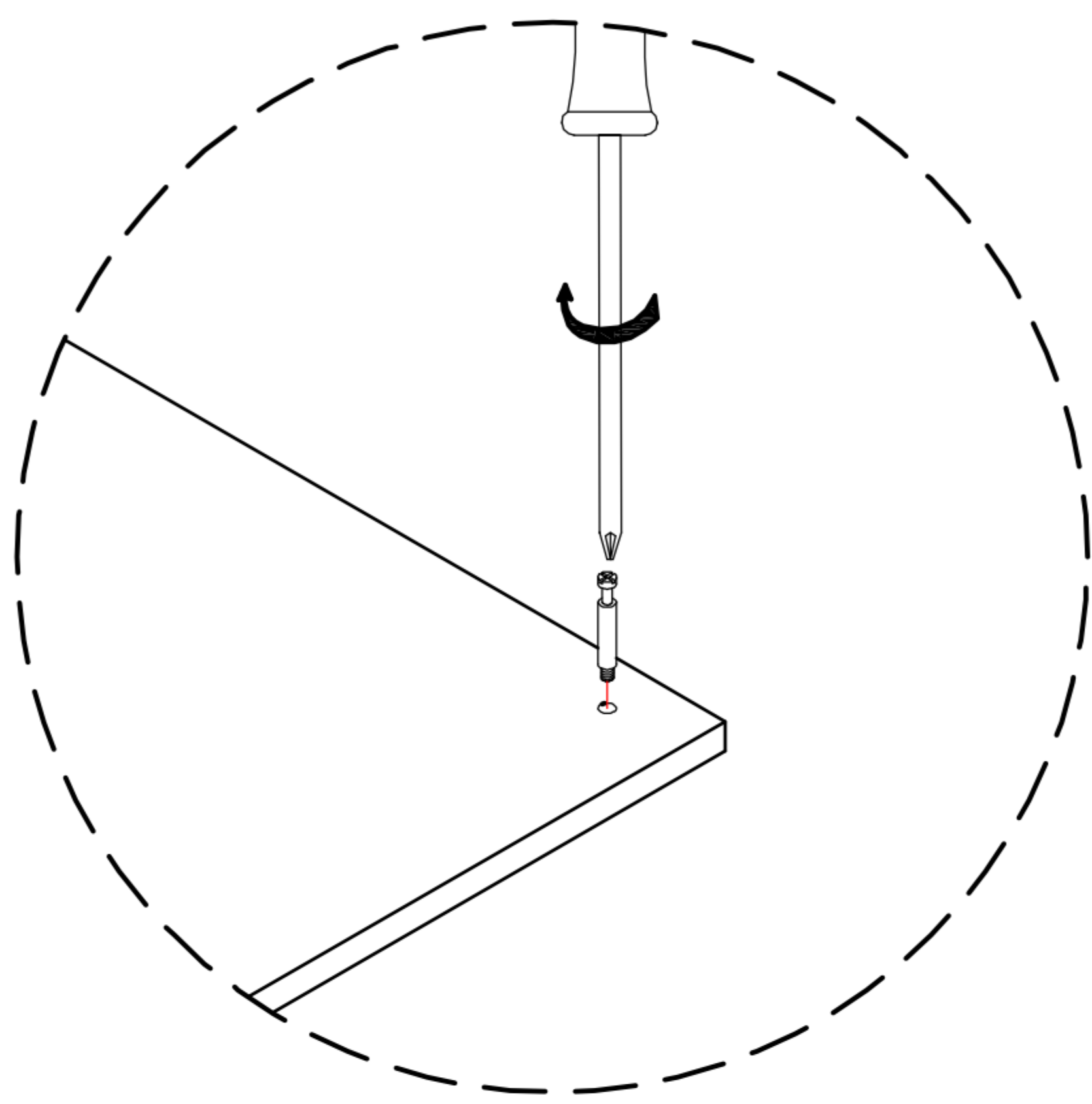


8X100=4PCS

Using Camlocks(Single head cam)

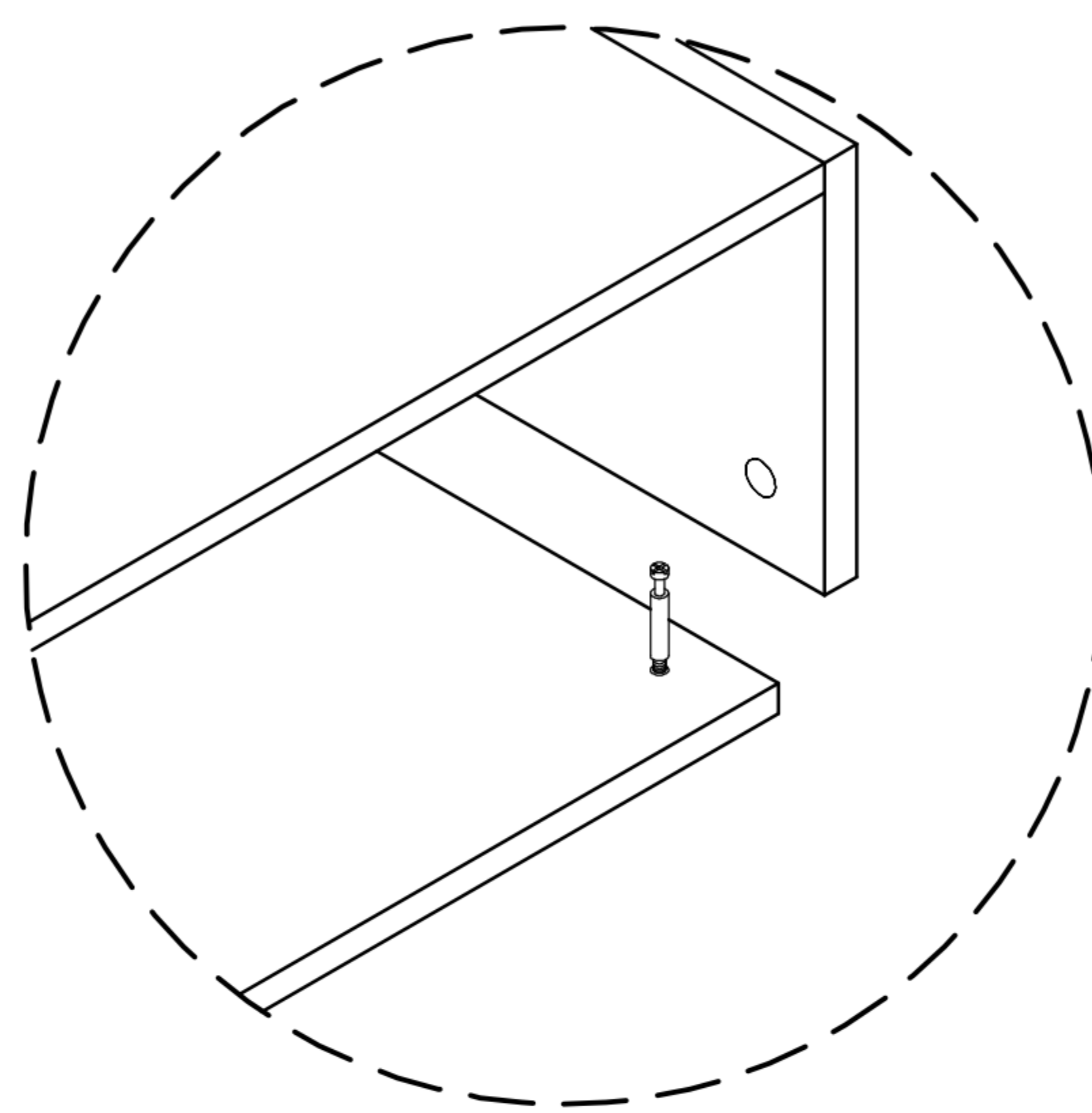
STEP1

Connect the male camlock as directed in the assembly instructions using a screwdriver.



STEP2

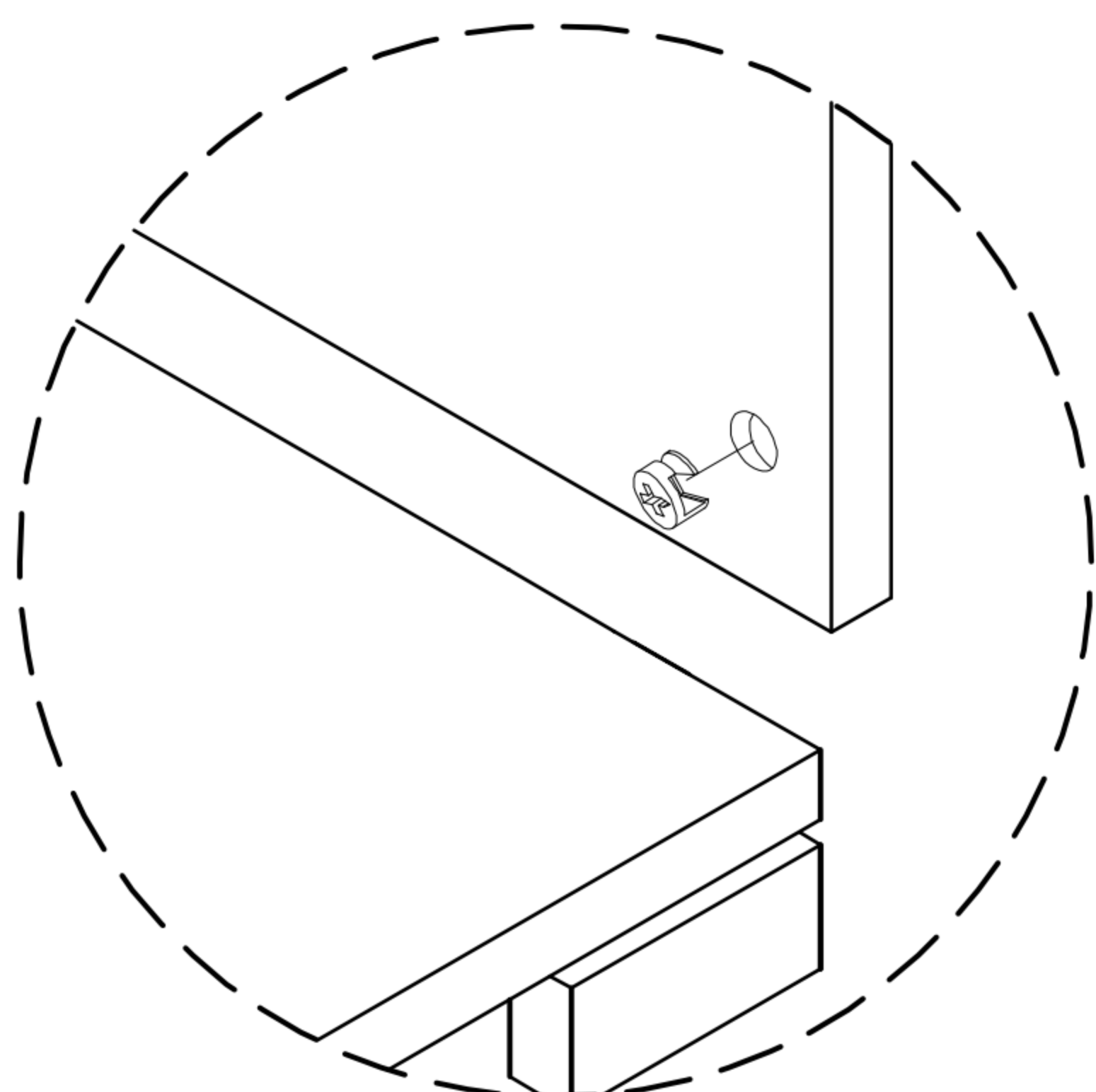
Push the male camlock into the entry hole.



STEP3

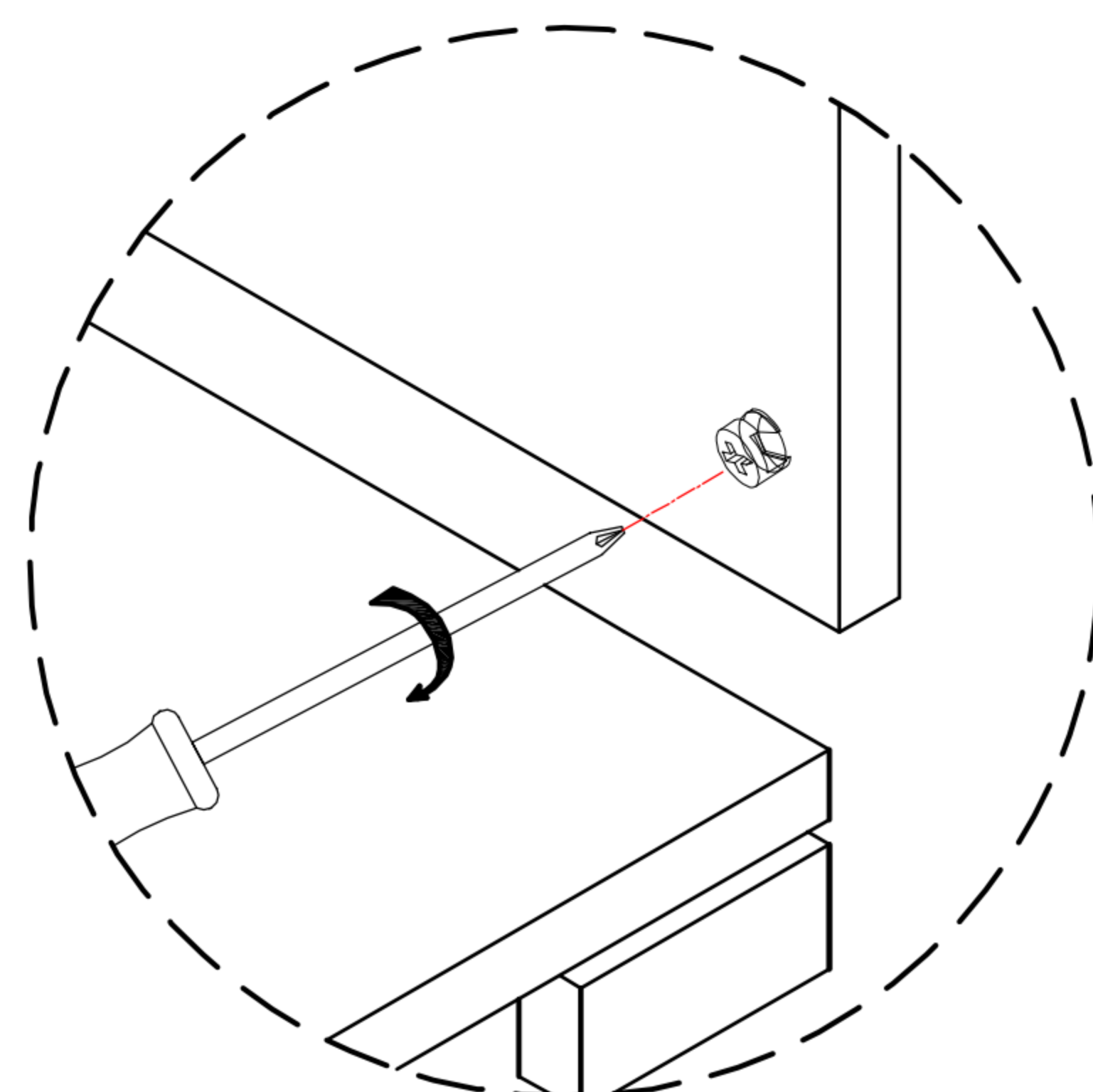
Insert the female camlock as shown in the instruction.

Note: ensure that the arrow on the top of the camlock points towards the entry hole for the male camlock.



STEP4

Turn the female camlock 180 degrees clockwise with a screwdriver to complete the locking.

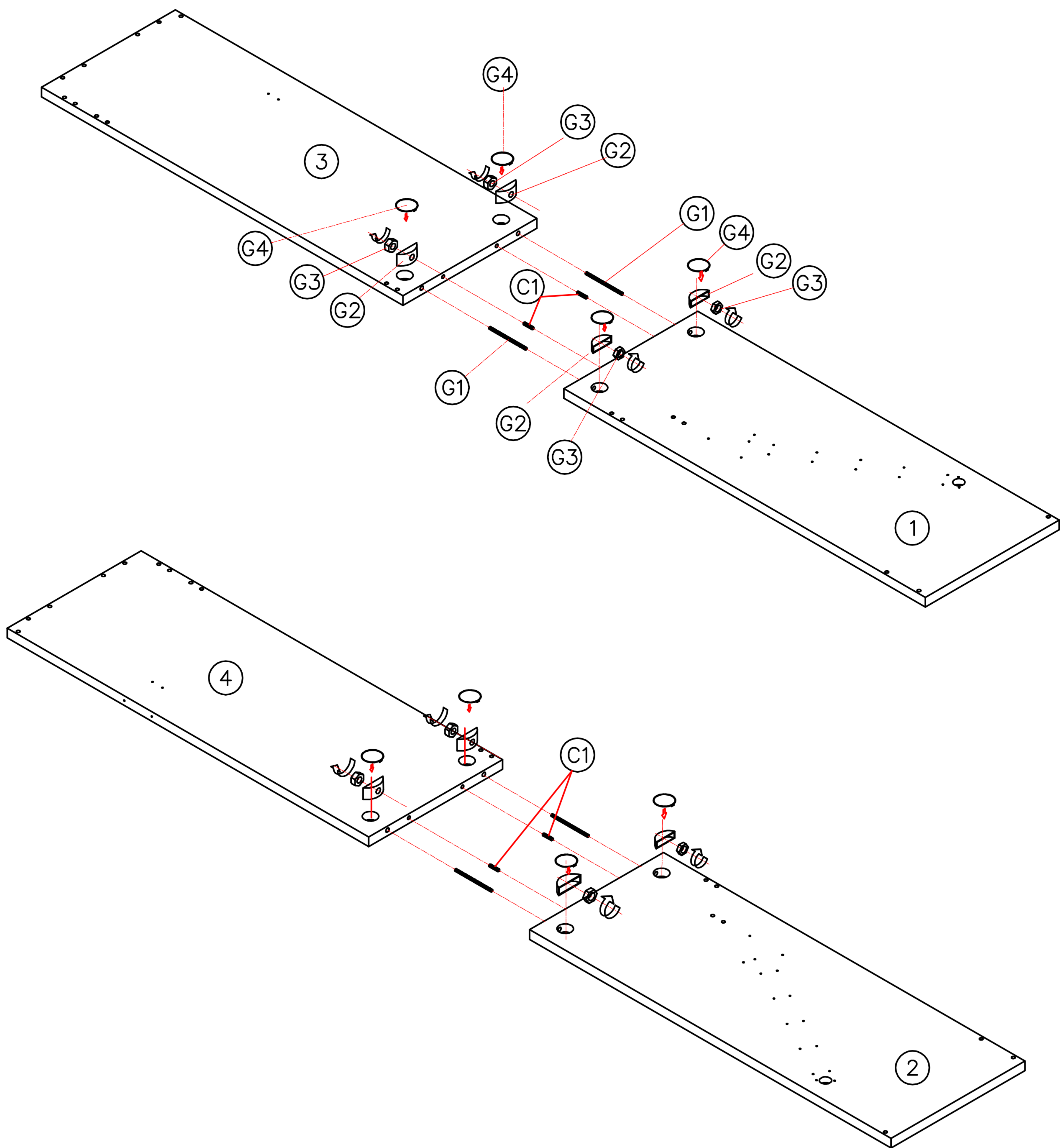


STEP1

ATTENTION:

This step involves similar panel components. To prevent assembly errors, please carefully verify the positional relationship of the hole positions in the enlarged diagram.

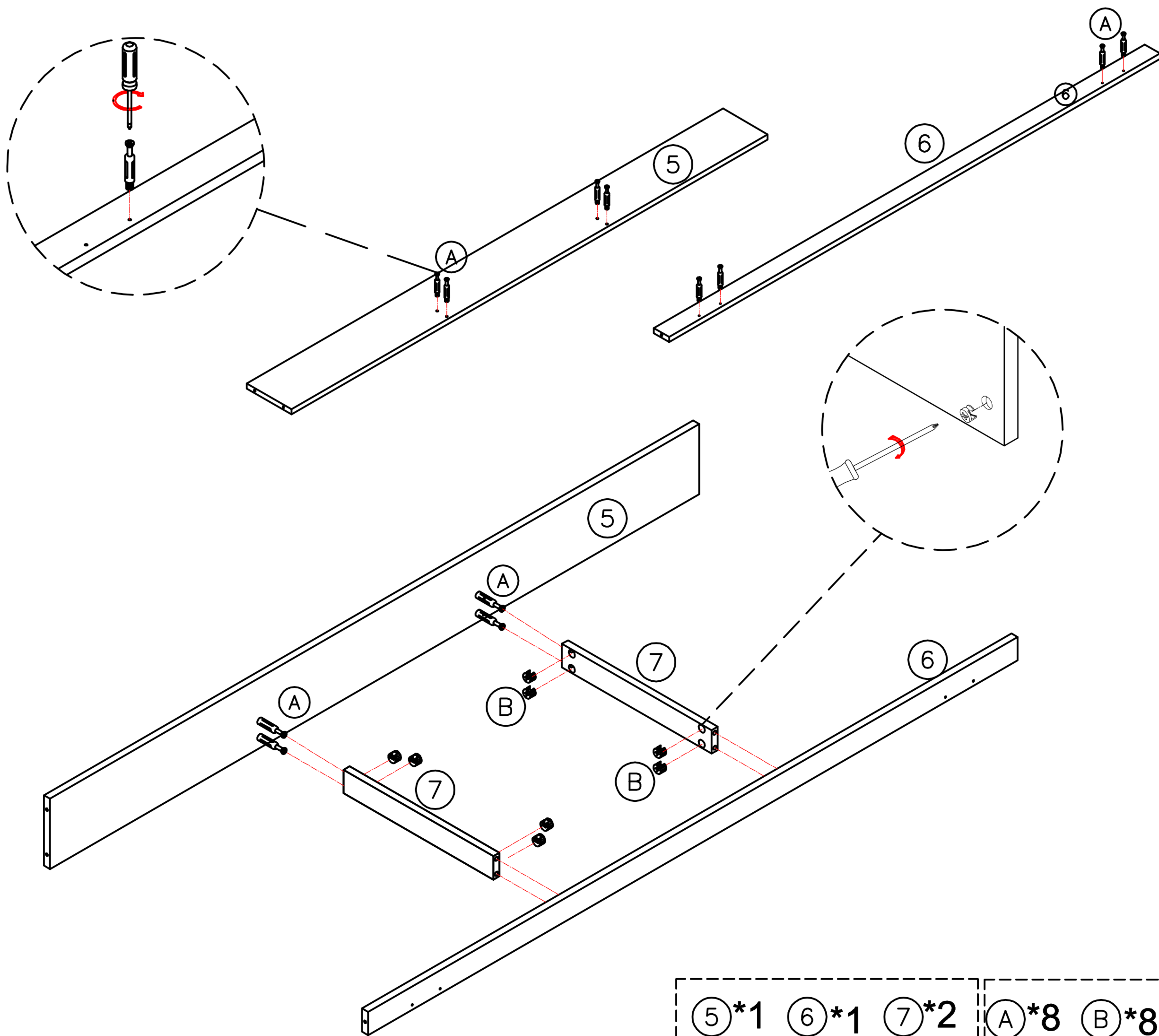
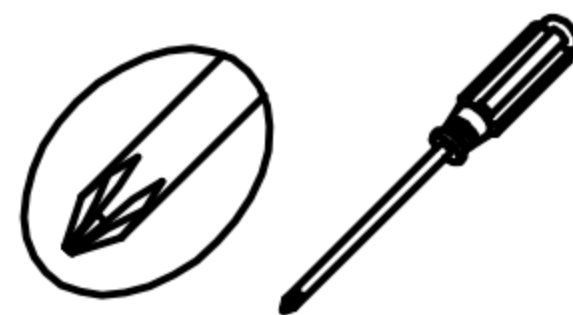
Also make sure that 1# attaches to 3#, and 2# attaches 4#.



- | | | | | | | | | |
|-----|-----|-----|-----|------|------|------|------|------|
| ①*1 | ②*1 | ③*1 | ④*1 | C1*4 | G1*4 | G2*8 | G3*8 | G4*8 |
|-----|-----|-----|-----|------|------|------|------|------|

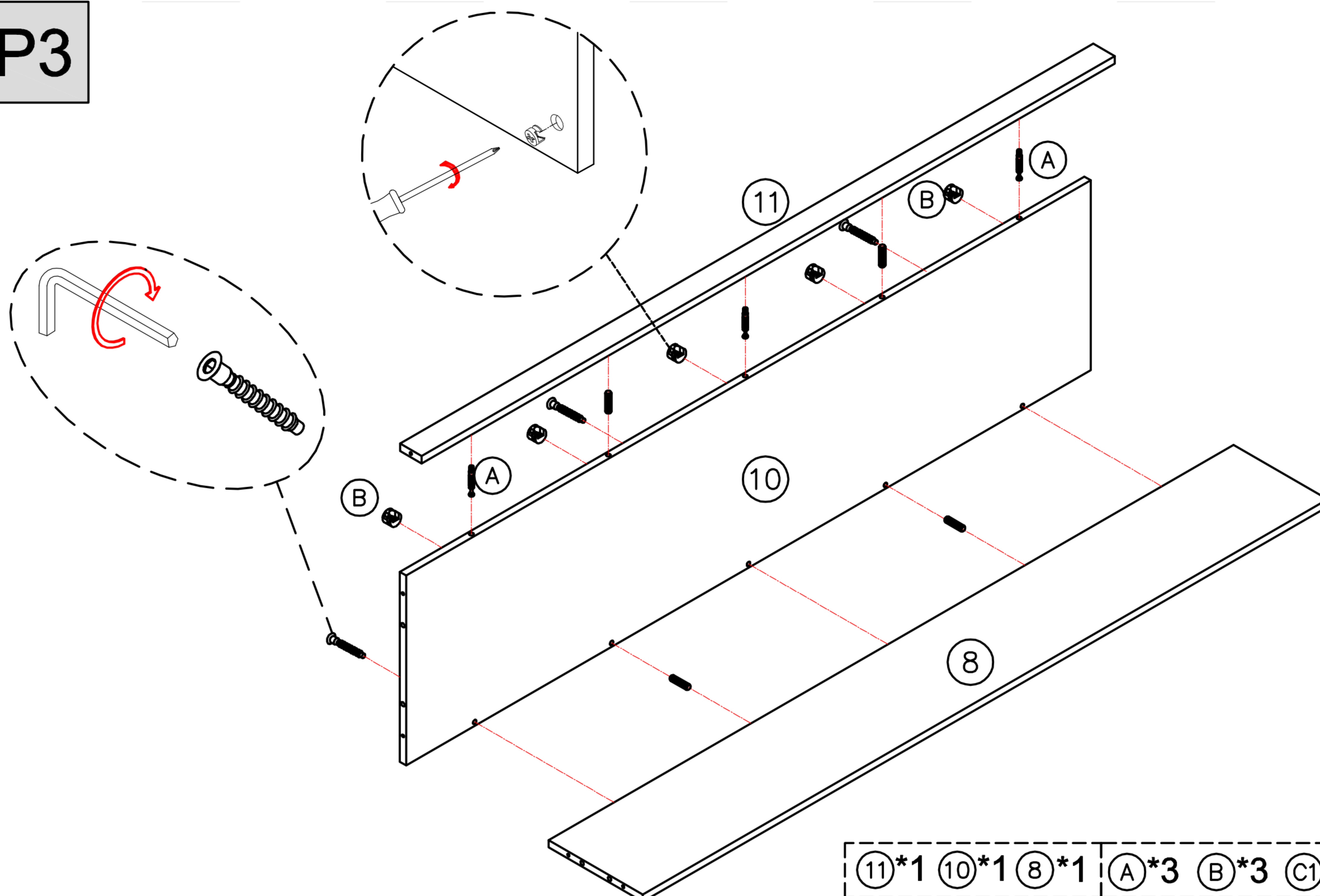
STEP 2

Tools Required



⑤*1 ⑥*1 ⑦*2 ①*8 ②*8

STEP 3



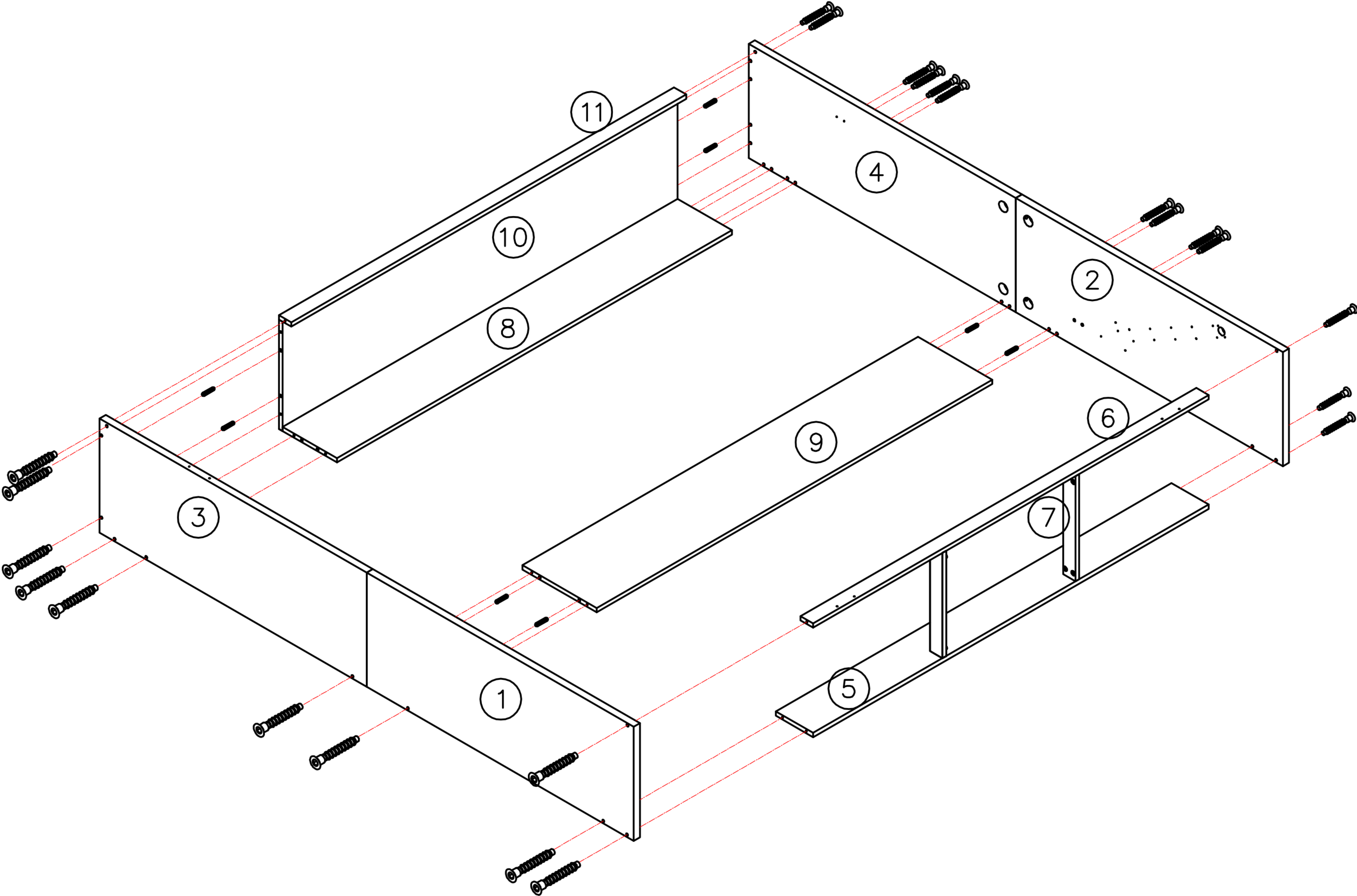
⑪*1 ⑩*1 ⑧*1 ①*3 ②*3 ③*4 ④*4

STEP4

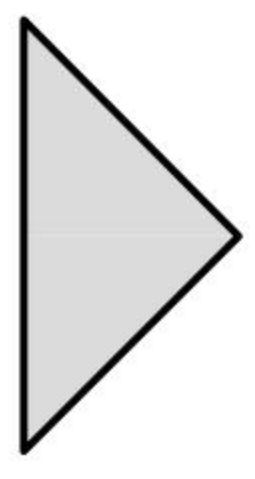
Tools used 

ATTENTION:

There are quite a few components to be installed in this step.
Please pay attention to checking whether all components are complete!
Put them together in the right position before fastening the screws!!

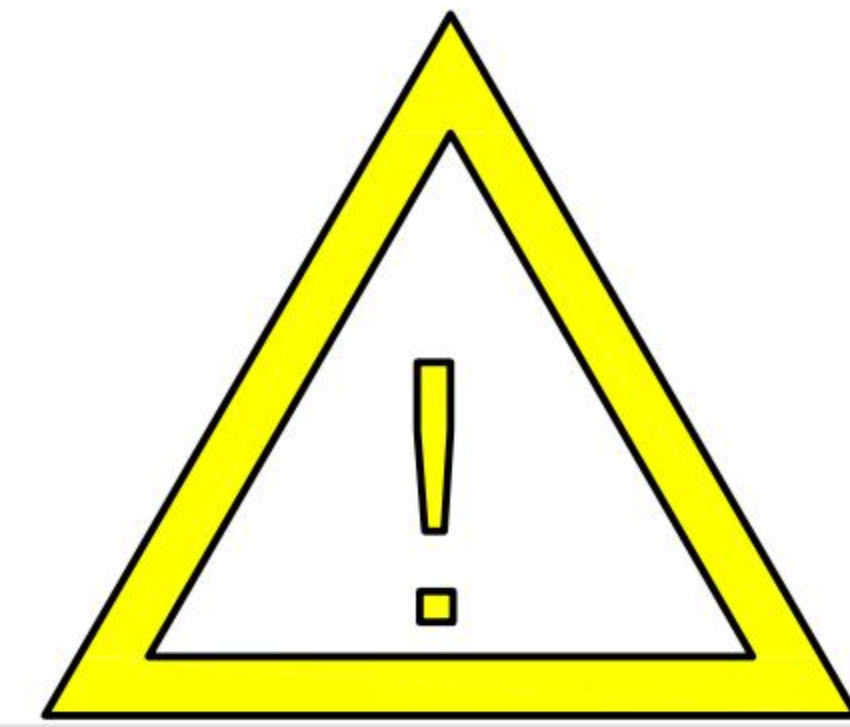


⑨*1 C1*8 D2*18 F*1



M WALL ANCHORING REQUIREMENTS & INSTALLATION RECOMMENDATIONS

Important information to read before starting the assembly.
Keep this information for future reference.



IMPORTANT WARNINGS

Risk of serious injuries if the wall bed tips over. To prevent wall bed from tipping over, mount it permanently to the wall. Only a qualified person² must carry out the installation and any possible adjustment of the wall bed (including disassembly). If the wall bed is not firmly mounted (anchored) to the wall, it might tip over and cause serious injuries to the installer, users of the bed as well as the people near the bed. The choice of wall anchoring depends on the type of wall, Use wall anchors suitable for the wall material.

Qualified person, it is necessary to have a good understanding of the wall structure where the bed is anchored, including the positioning of the wall studs and structural components in the case of a wood or metal structure. If you do not have the necessary skills, make sure that the wall anchoring is done by someone who has the qualifications and required knowledge. When you choose the installer, make sure to comply with all applicable regulations in the province, state or country where the furniture is installed.



IMPORTANT WARNINGS

INSTALLATION AND APPROPRIATE HARDWARE

Using appropriate hardware, all the anchor screws of the wall bed must be firmly secured to the wood or metal studs, the structural components, or a masonry wall.

Only wall anchor screws for wood-frame walls are provided with this bed.

NEVER USE DRYWALL ANCHOR SCREWS OR SECURE THE BED TO DRYWALL

See wall anchoring requirements and installation notes provided in the instruction manual, according to the type of wall, and use the appropriate anchors such as described in this manual.

NUMBER OF SCREWS NEEDED

Two (2) screws are required for each anchor point. Four (4) wall anchor points are necessary for the proper installation of the wall bed. So you need a total of eight (8) wall anchor screws.

THE SCREWS MUST BE VERY WELL ANCHORED TO THE STRUCTURAL COMPONENTS OF THE WALL.

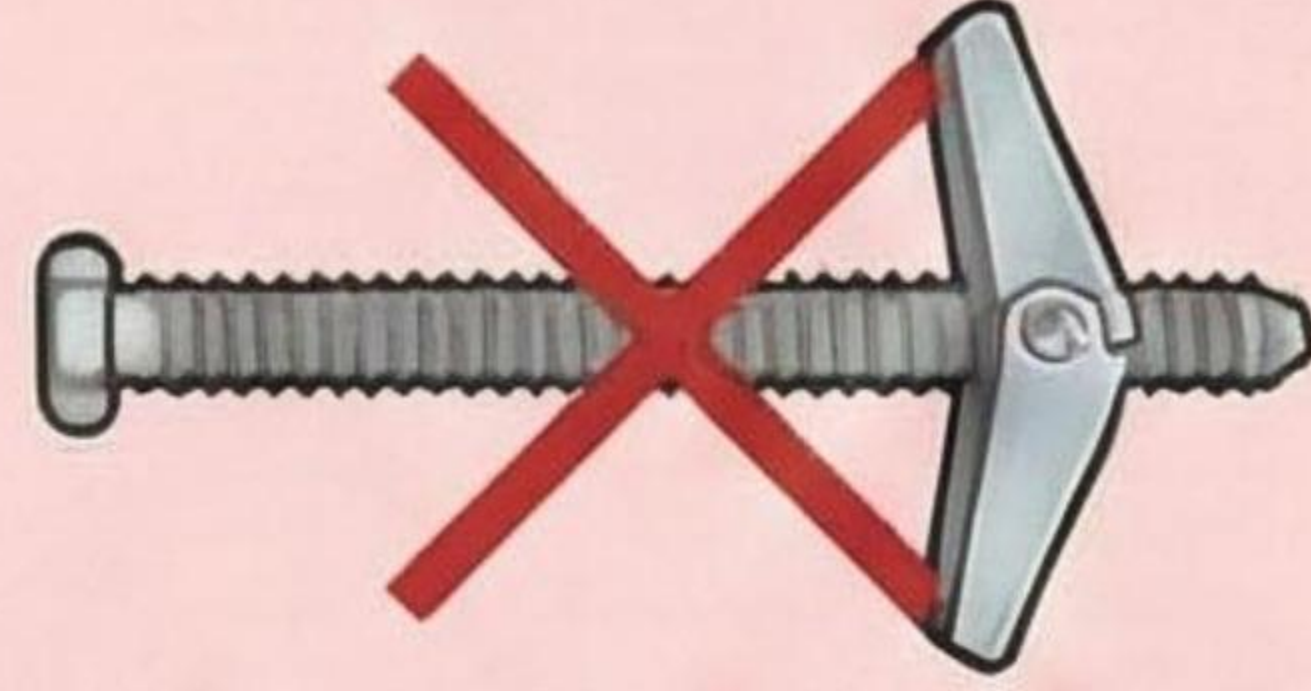
*A CERTIFIED CONSTRUCTION PROFESSIONAL, IN COMPLIANCE WITH APPLICABLE REGULATIONS IN THE PROVINCE, STATE OR COUNTRY WHERE THE FURNITURE IS INSTALLED.



SAFETY FIRST: WALL ANCHORING IS NON-NEGOTIABLE

MURPHY BEDS MUST BE SECURELY ANCHORED TO STRUCTURAL MEMBERS. NEVER MOUNT SOLELY TO DRYWALL. IMPROPER INSTALLATION CAN CAUSE SERIOUS INJURY OR DEATH.

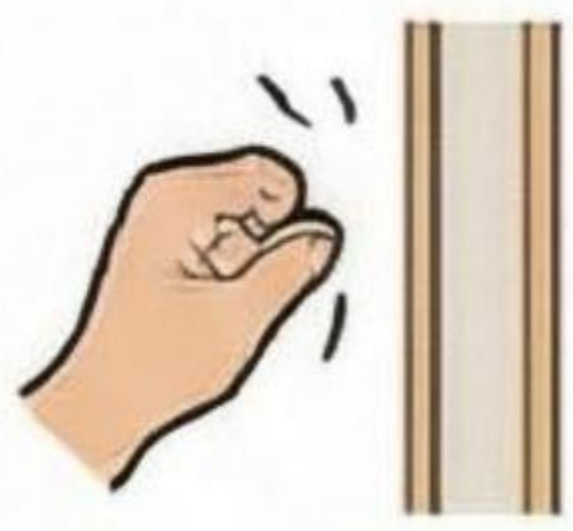
ABSOLUTELY FORBIDDEN HARDWARE



PLASTIC ANCHORS - WILL FAIL

A. WOOD STUD WALL

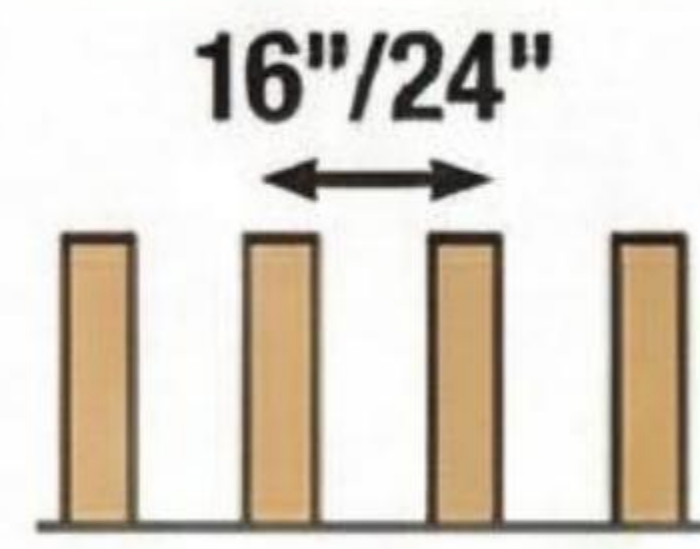
HOW TO IDENTIFY



KNOCK ON A HOLLOW WALL



STUD FINDER TOOL (MITS)

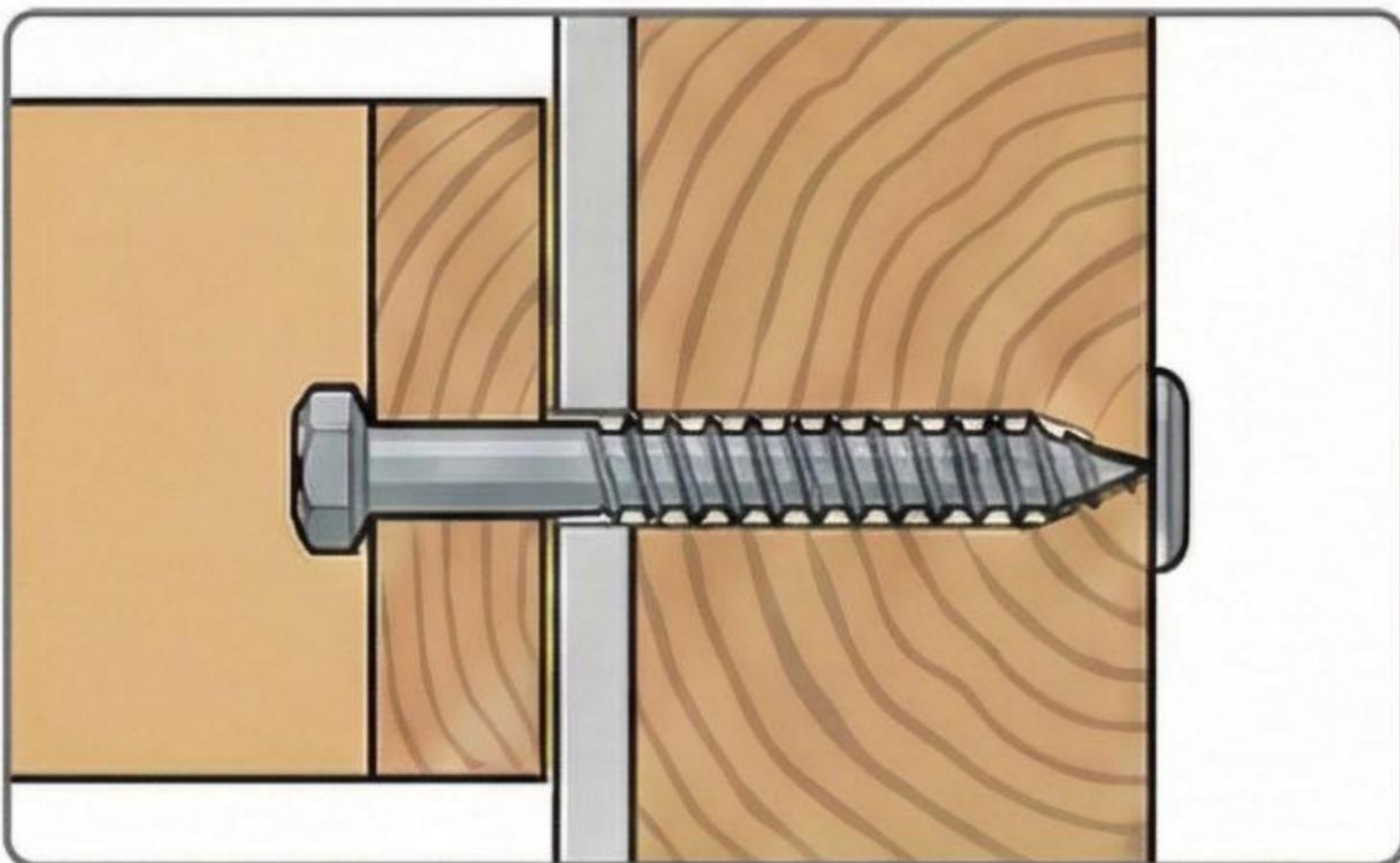


STUDS SPACED IS 16" STUD

REQUIRED HARDWARE



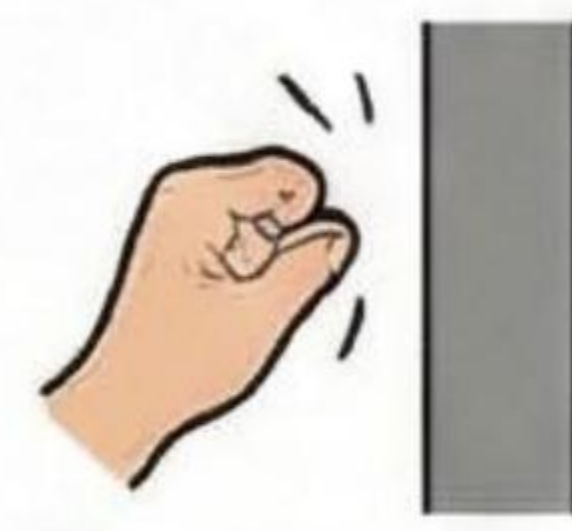
HEAVY-DUTY SCREWS (MIN. 5/32" DIA., 2.5" LONG)



MUST PENETRATE WOOD STUD CENTER AT LEAST 2.5"

B. MASONRY/CONCRETE WALL

HOW TO IDENTIFY



KNOCK ON A SOLID WALL

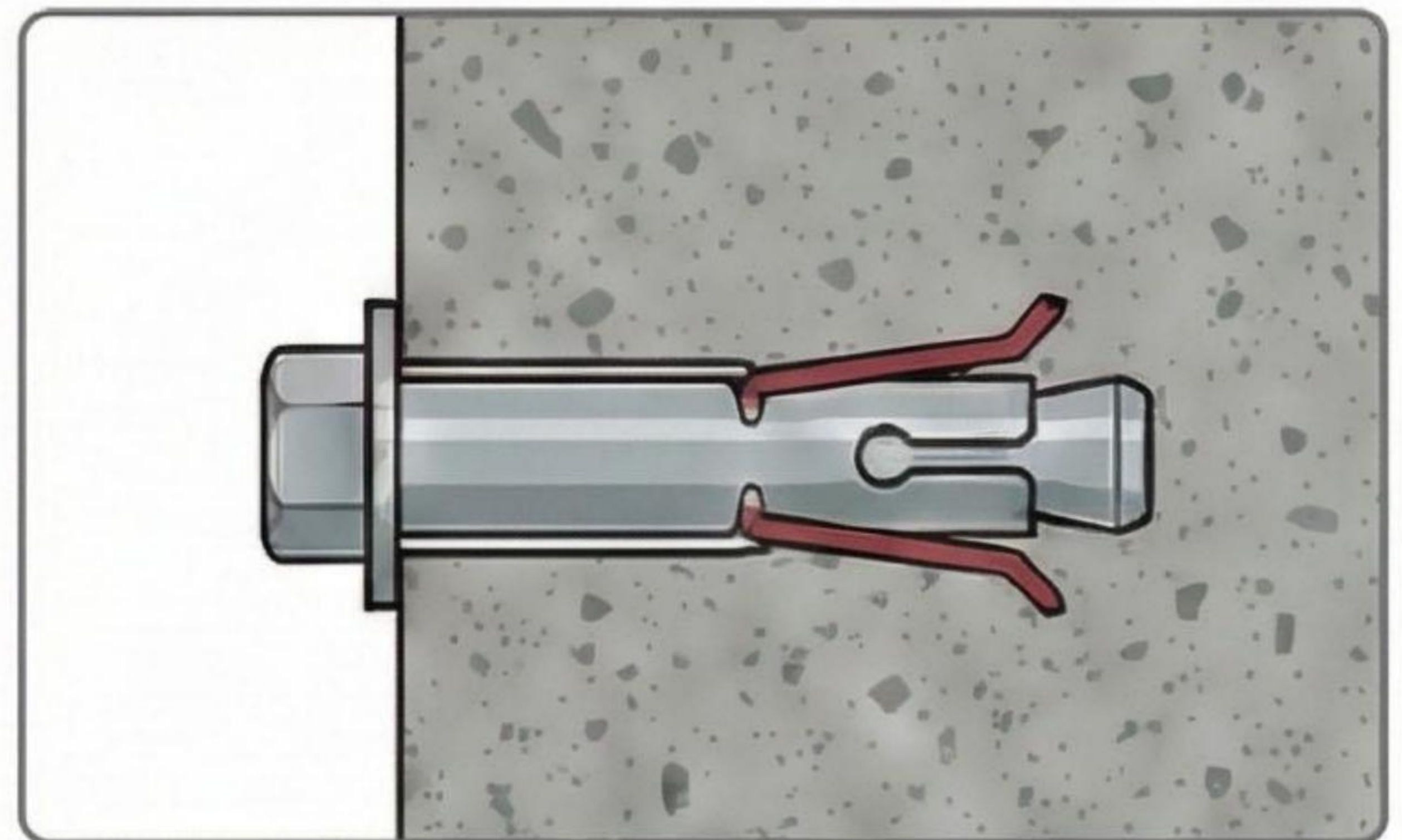


DRILL BIT CREATES GREY/RED DUST

REQUIRED HARDWARE



ALL-METAL EXPANSION BOLTS (MIN. 5/32" DIA., 2.5" LONG)

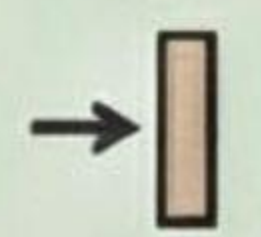
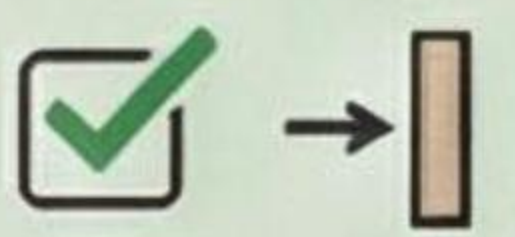


CLEAN HOLE OF DUST. **DO NOT** USE PLASTIC.

FINAL SAFETY CHECKLIST



VERIFY STUD CENTER BEFORE DRILLING



ENSURE FLUSH WALL FIT (ADJUST BASEBOARD)



PERFORM PULL TEST BEFORE MATTRESS LOAD



AVOID HIDDEN WIRES/PIPES BEFORE DRILLING

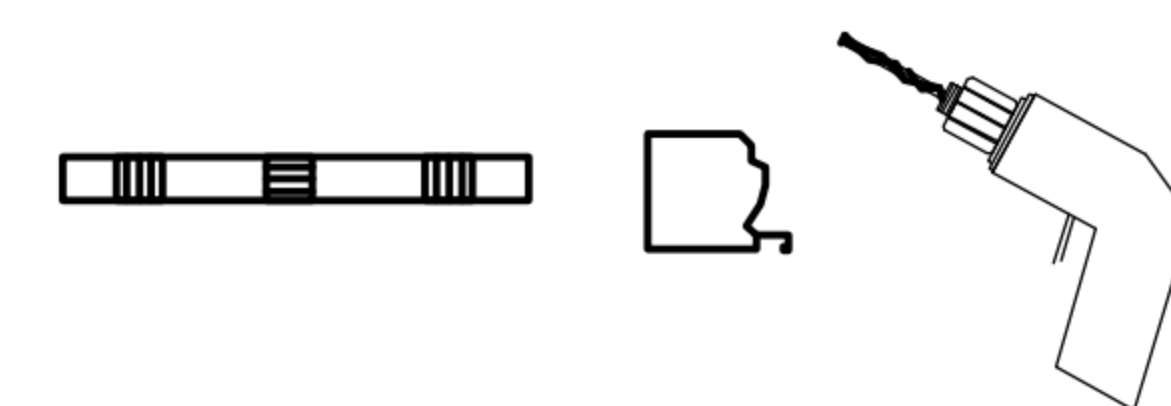


REGULARLY INSPECT AND MAINTAIN WALL ANCHORS



CONSULT A PROFESSIONAL FOR WALL ASSESSMENT AND OPTIMAL HARDWARE; CUSTOMER ASSUMES ALL INSTALLATION LIABILITY

STEP 5



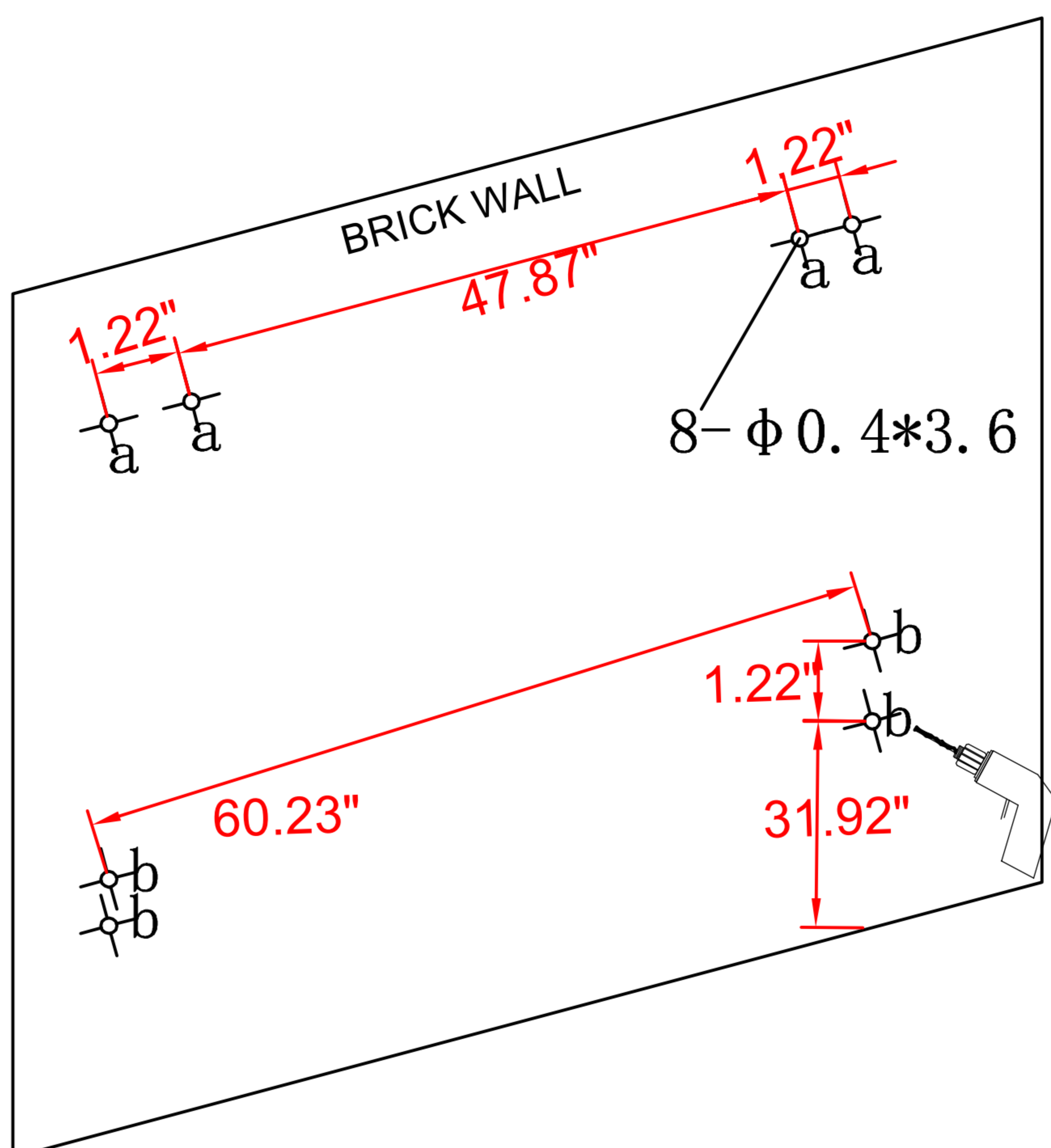
Tools Required



M WARNING:

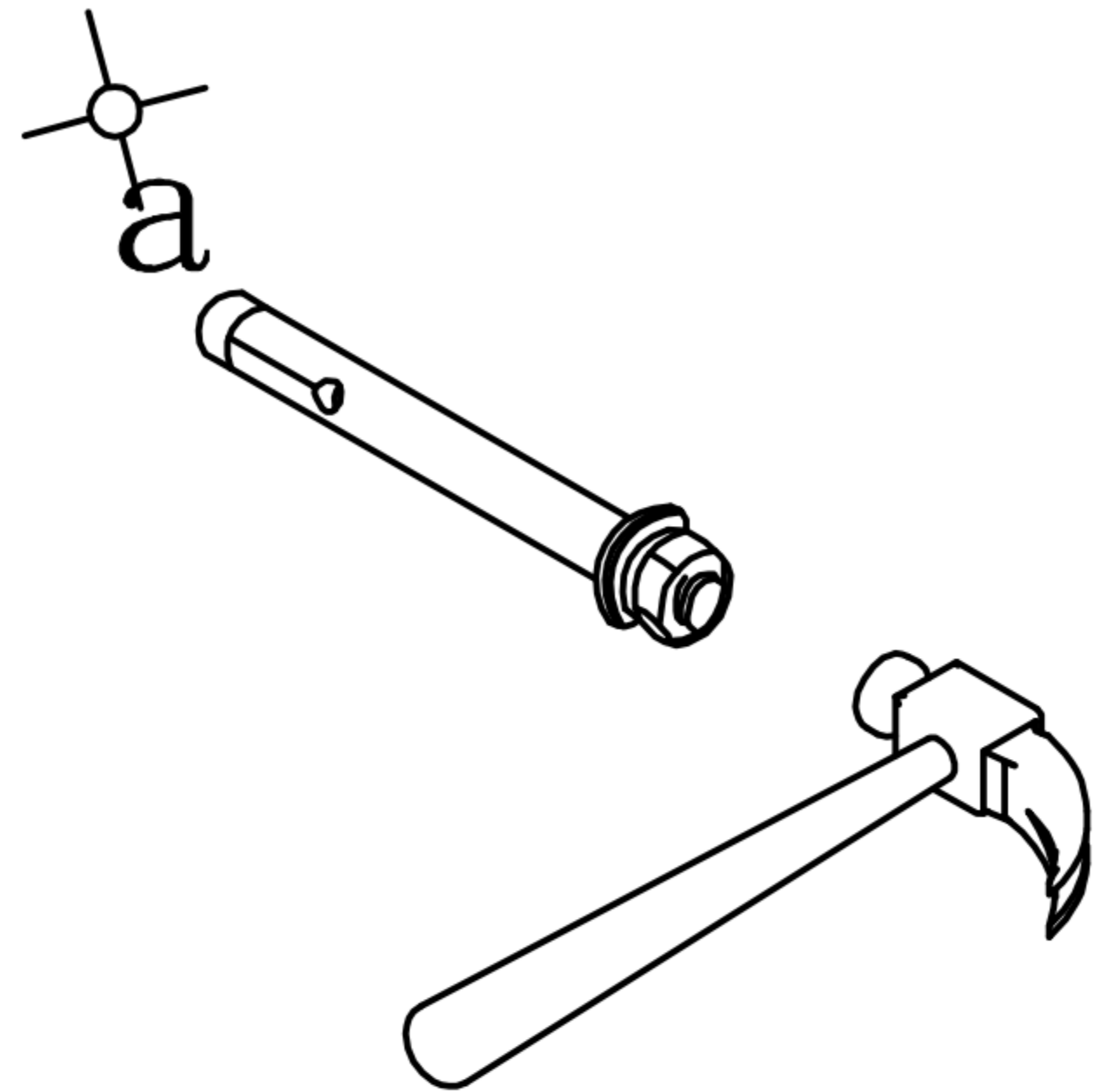
There is a risk of serious injury due to the wall-mounted bed tipping over.

To prevent the wall-mounted bed from tipping over, it must be permanently secured to a brick wall. If the wall structure is not masonry, qualified professionals are required to perform the wall anchoring.

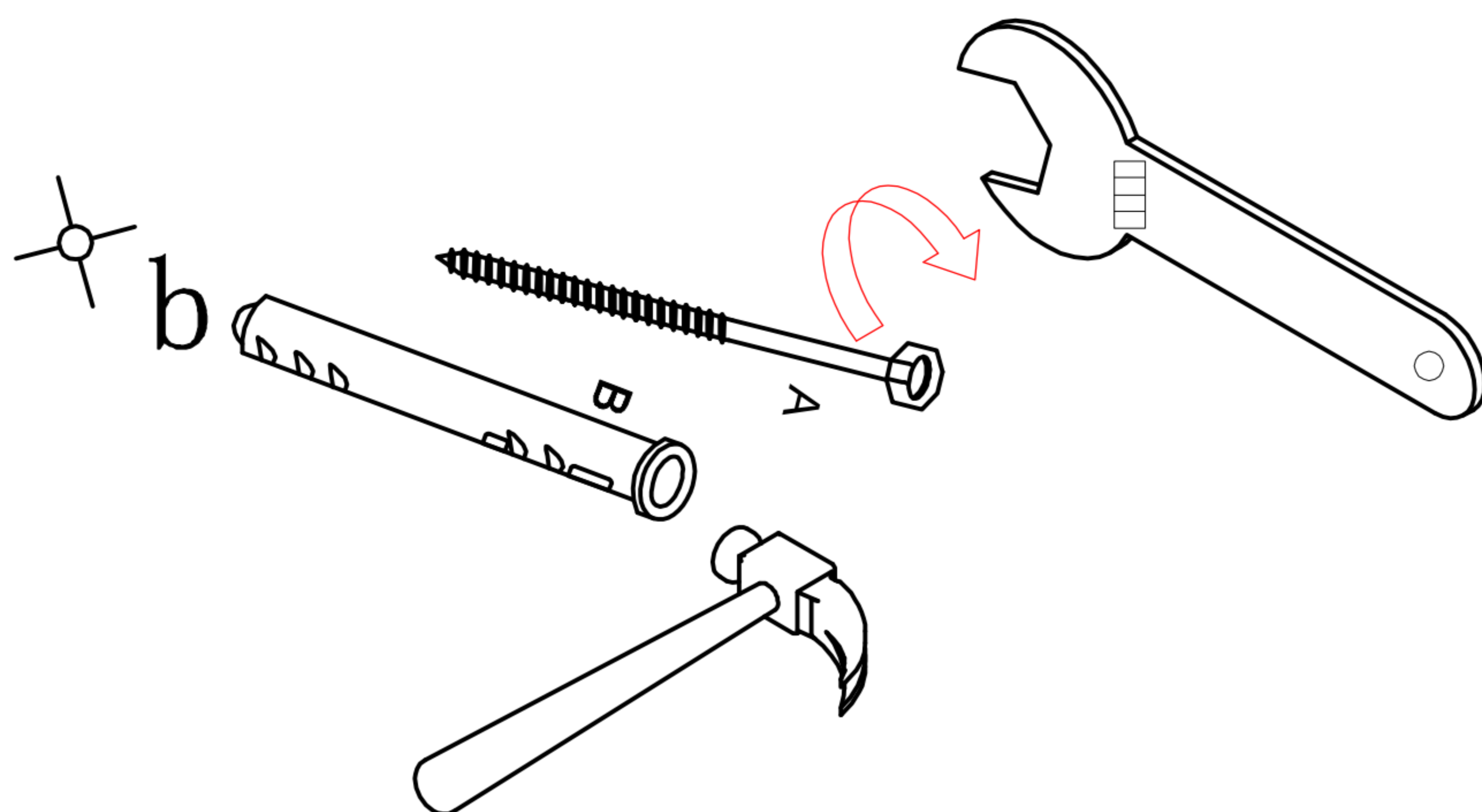
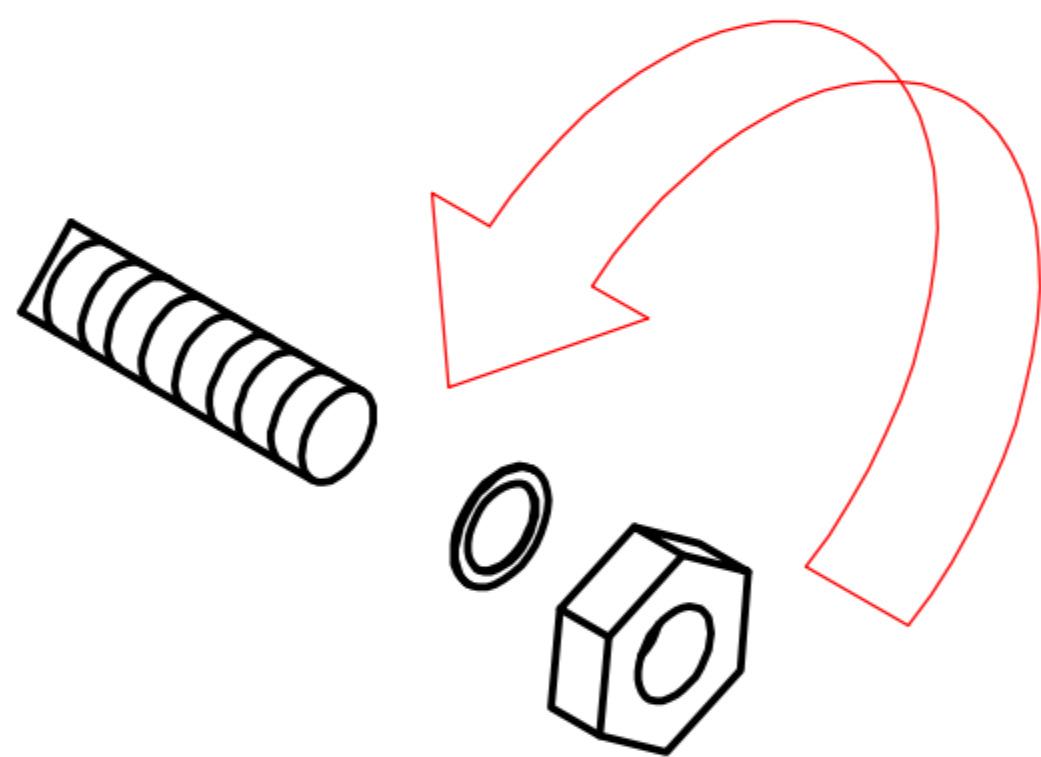
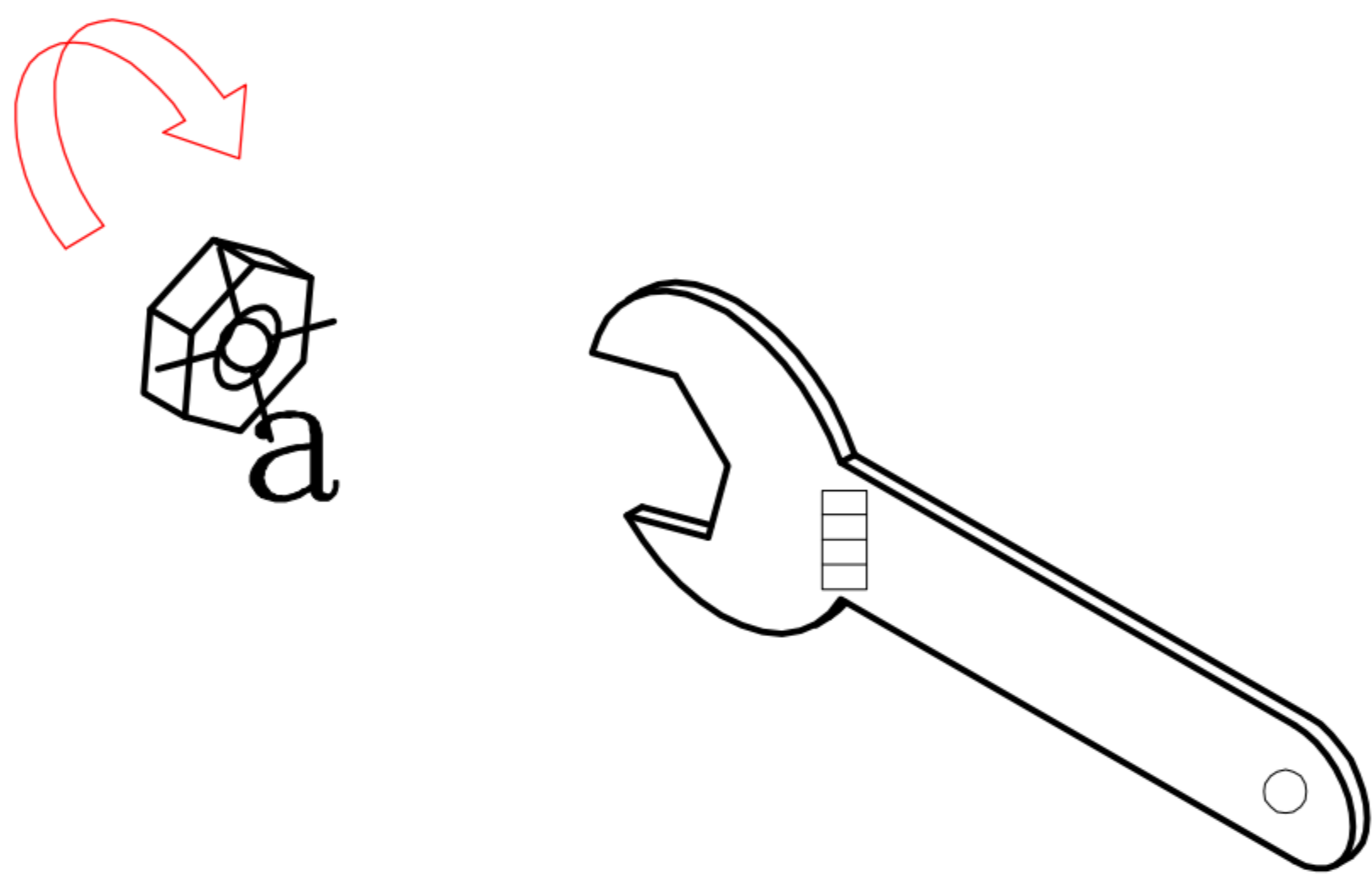


1. Use a marker pen, a tape measure, and a spirit level to mark positions on the brick wall according to the positions shown in the diagram. Use an electric drill to create 4 A holes and 4 B holes at the marked positions; Hole A has a diameter of 0.4 inches and a depth of 3.6 inches; Hole B has a diameter of 0.4 inches and a depth of 3.9 inches.

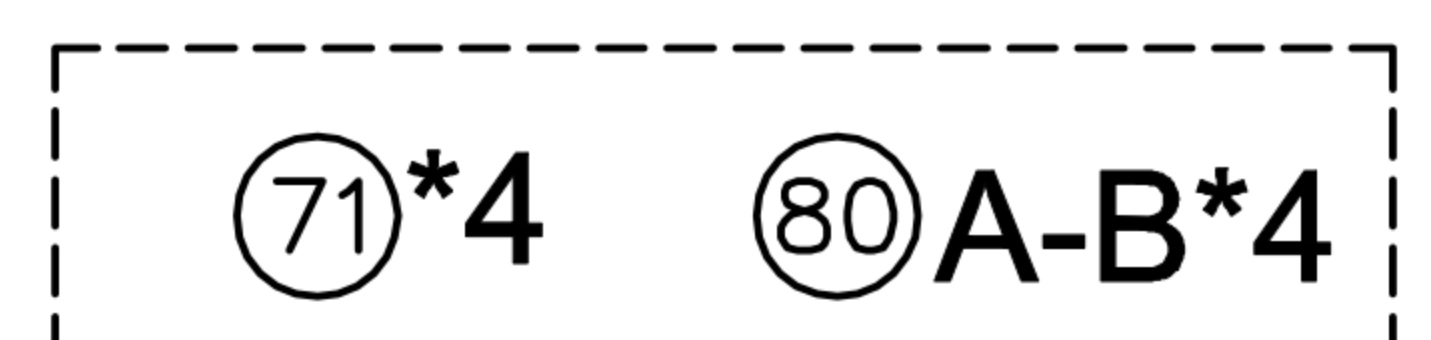
STEP 6

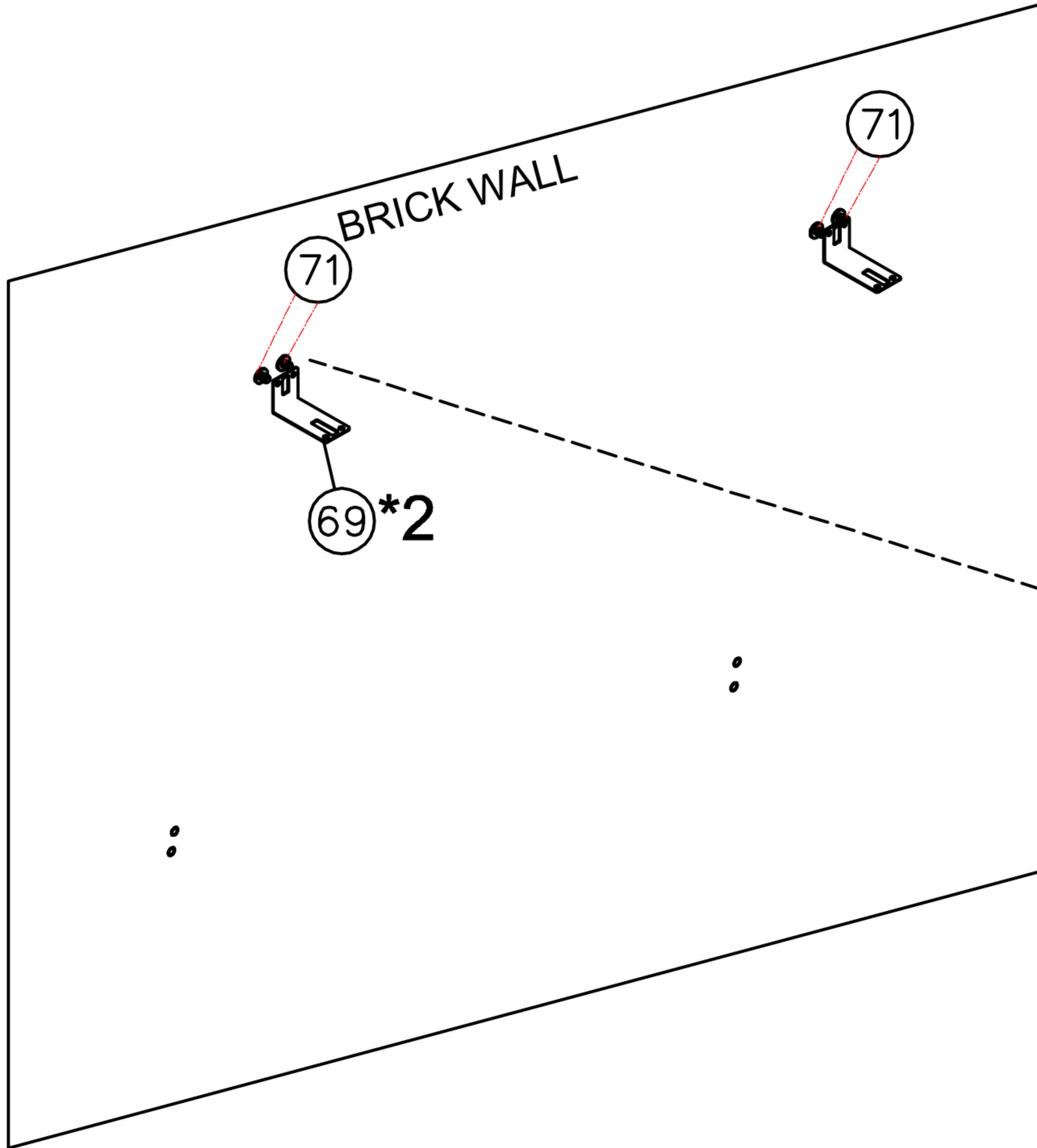


2,
Gently tap the No. 71 expansion bolts into the holes with a hammer until 0.04 inches are exposed outside. Use an adjustable wrench to tighten the nuts on the expansion bolts clockwise with force. Use an adjustable wrench to remove the nuts and anti-slip washers from the expansion bolts.

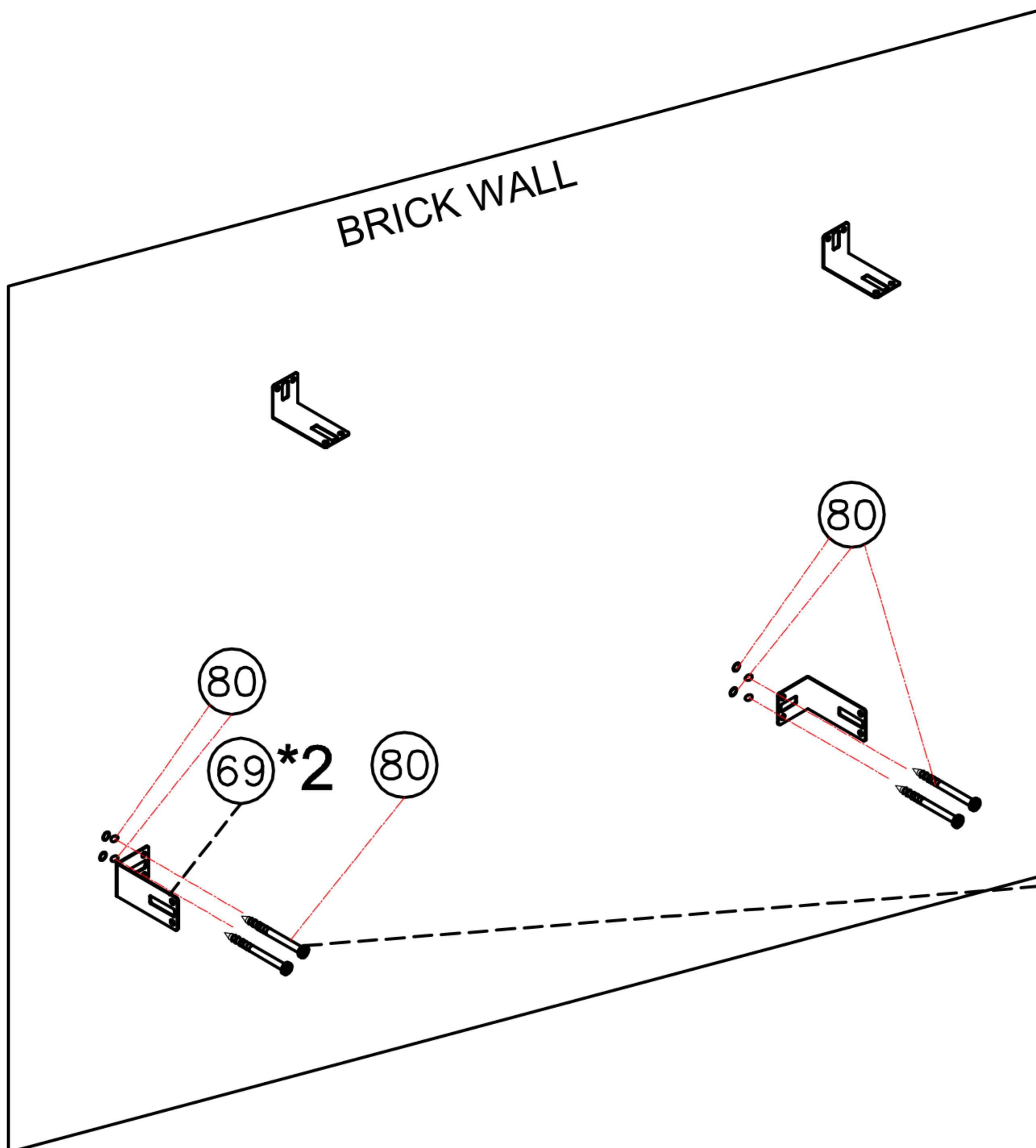
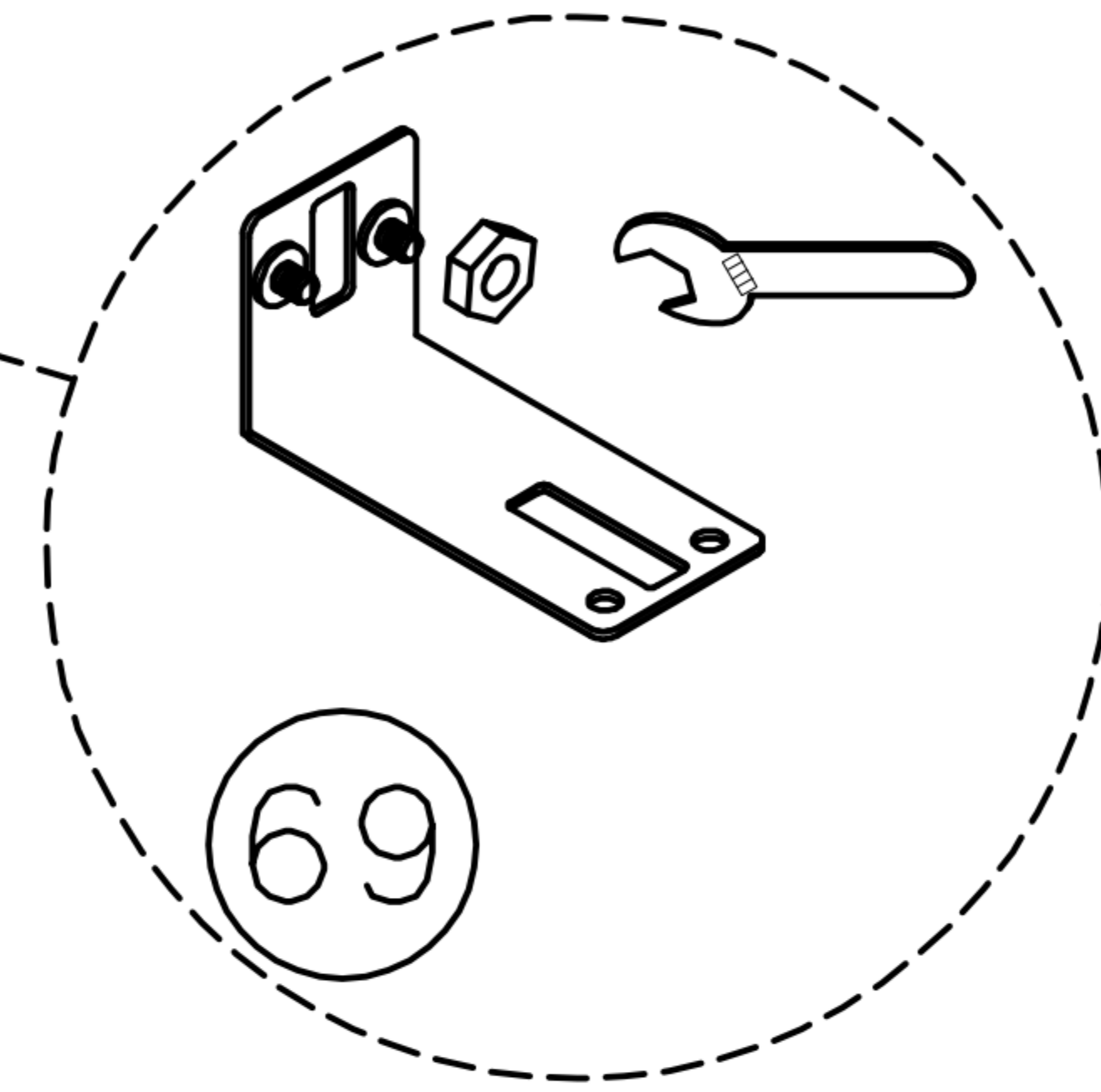


3,
Gently tap the No. 80 expansion rubber hose into hole B with a hammer until the end ring of the expansion rubber hose is flush with the wall.

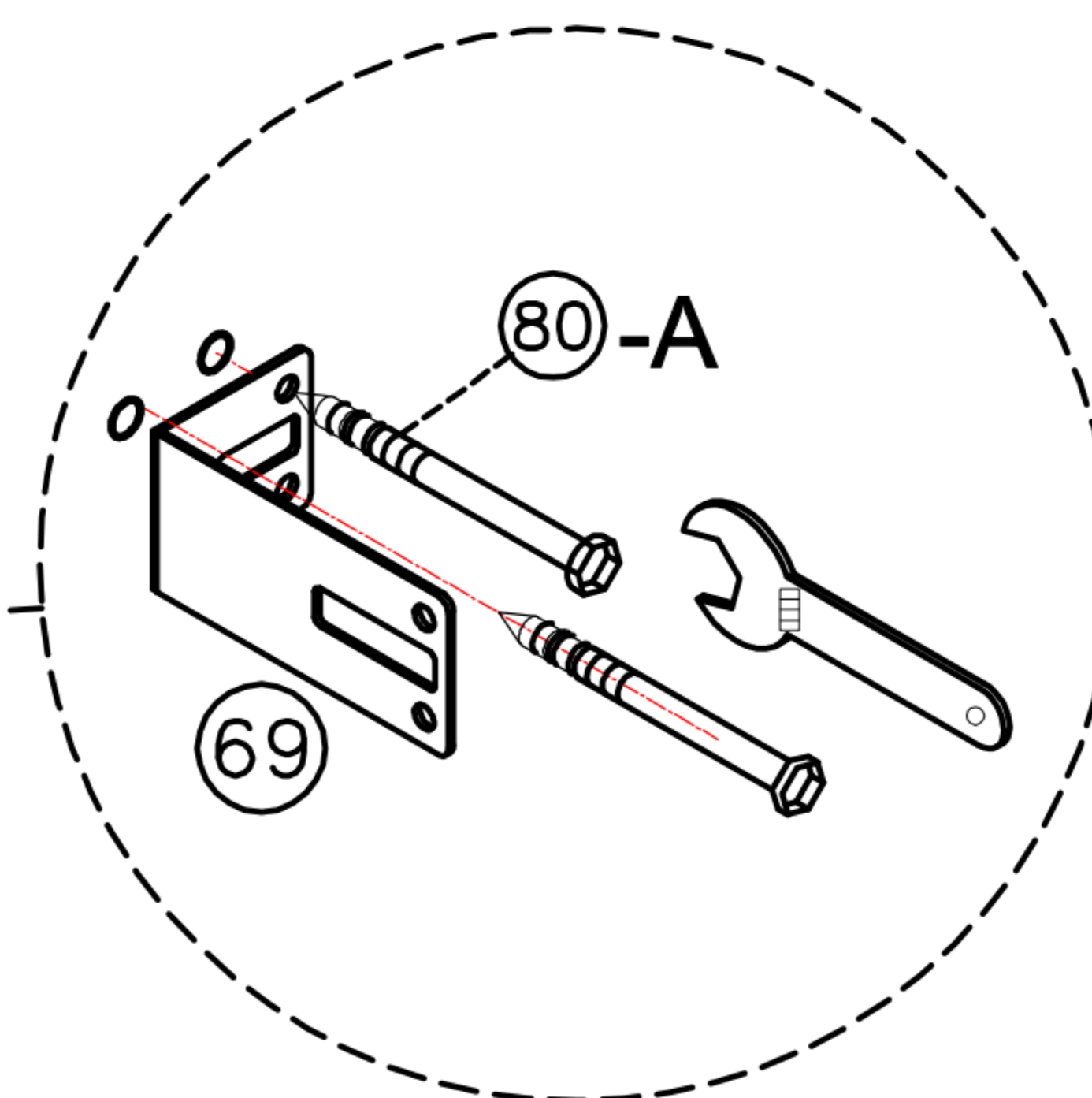




4, Please install the No. 69 iron part strictly according to the direction shown in the diagram.



4, Please install the No. 69 iron part strictly according to the direction shown in the diagram.



69*4 71*4 80 A-B*4

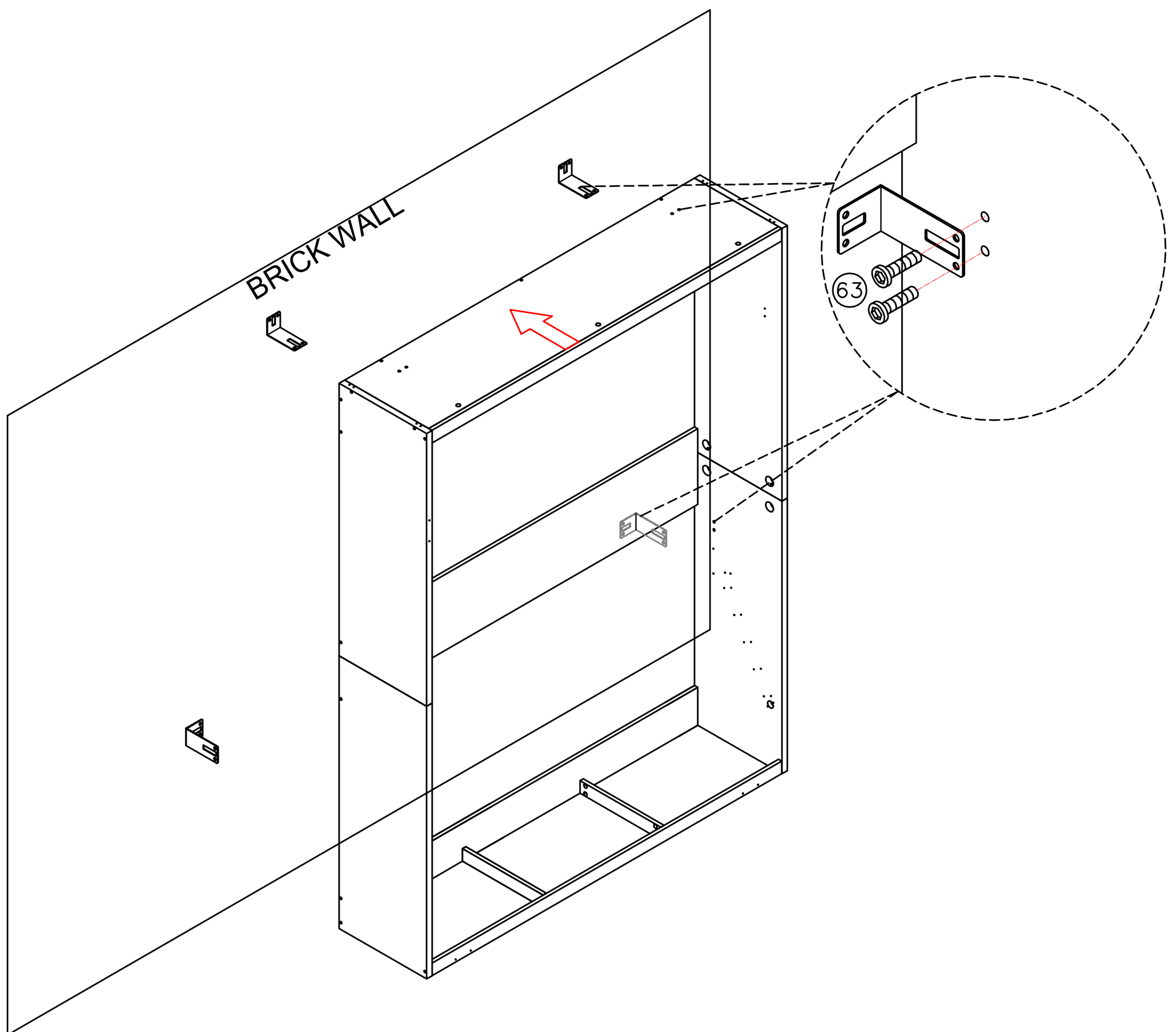
STEP 7



WARNING

For your safety

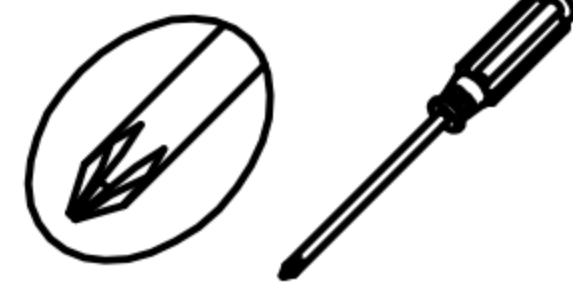
This step requires at least 4 people to complete together. One person is responsible for observing and guiding the moving direction of the cabinet body; two people respectively cooperate on both sides of the cabinet body to move it to the accurate position; and one person is responsible for keeping it upright to prevent the cabinet body from tipping over.



63*8

STEP8

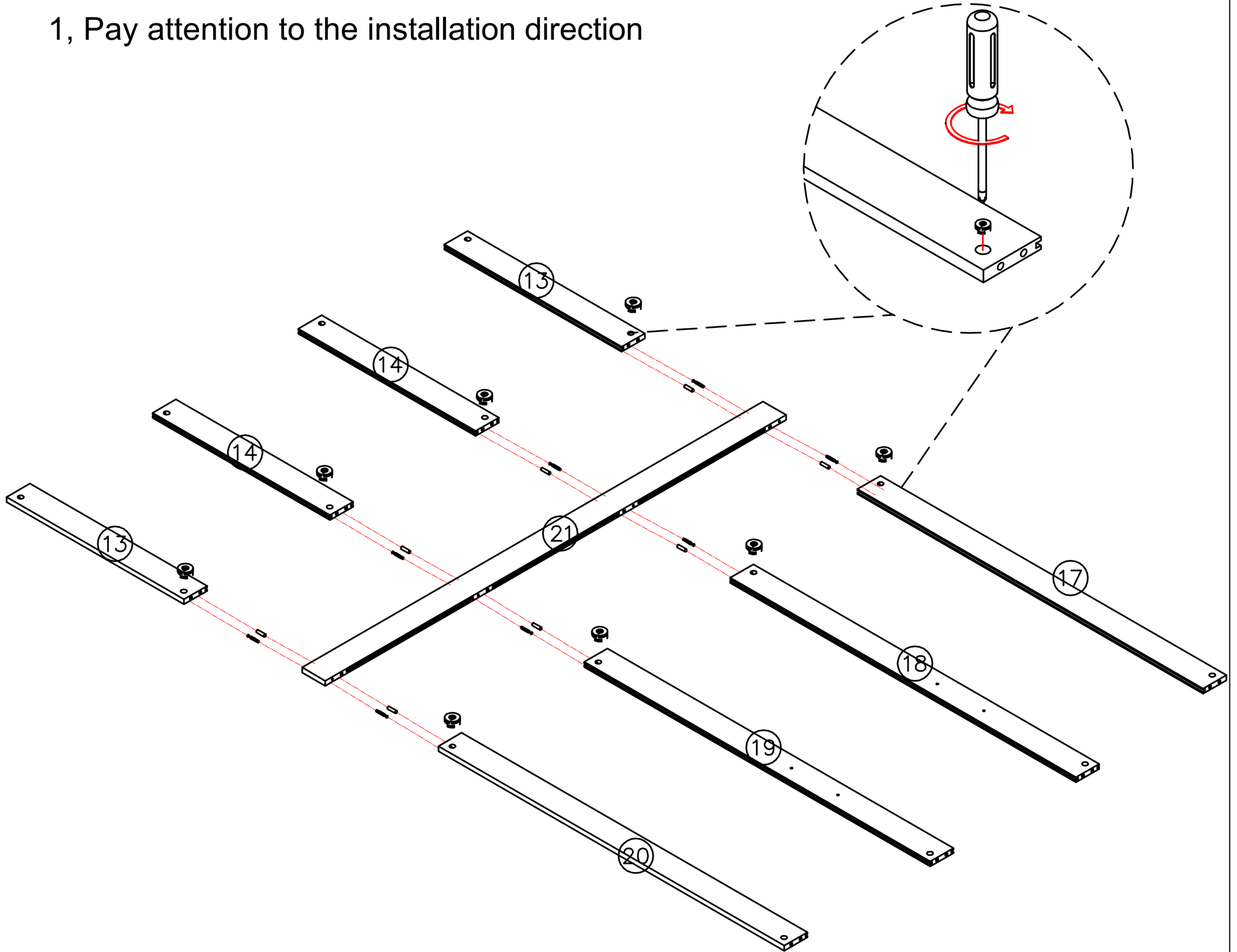
Tools Required



ATTENTION:

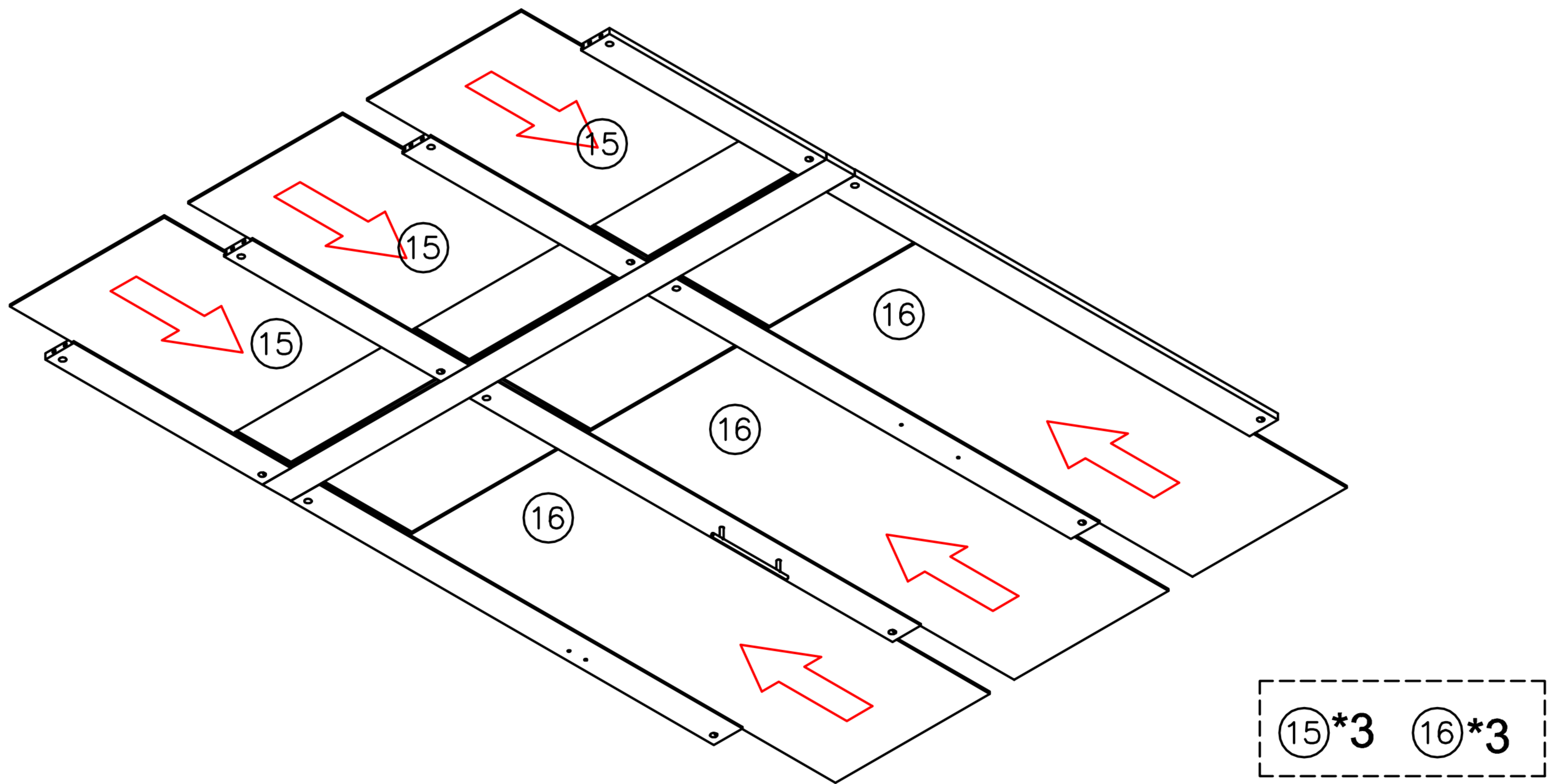
This step involves similar panel components. To prevent assembly errors, please carefully distinguish the installation positions according to the component numbers

1, Pay attention to the installation direction

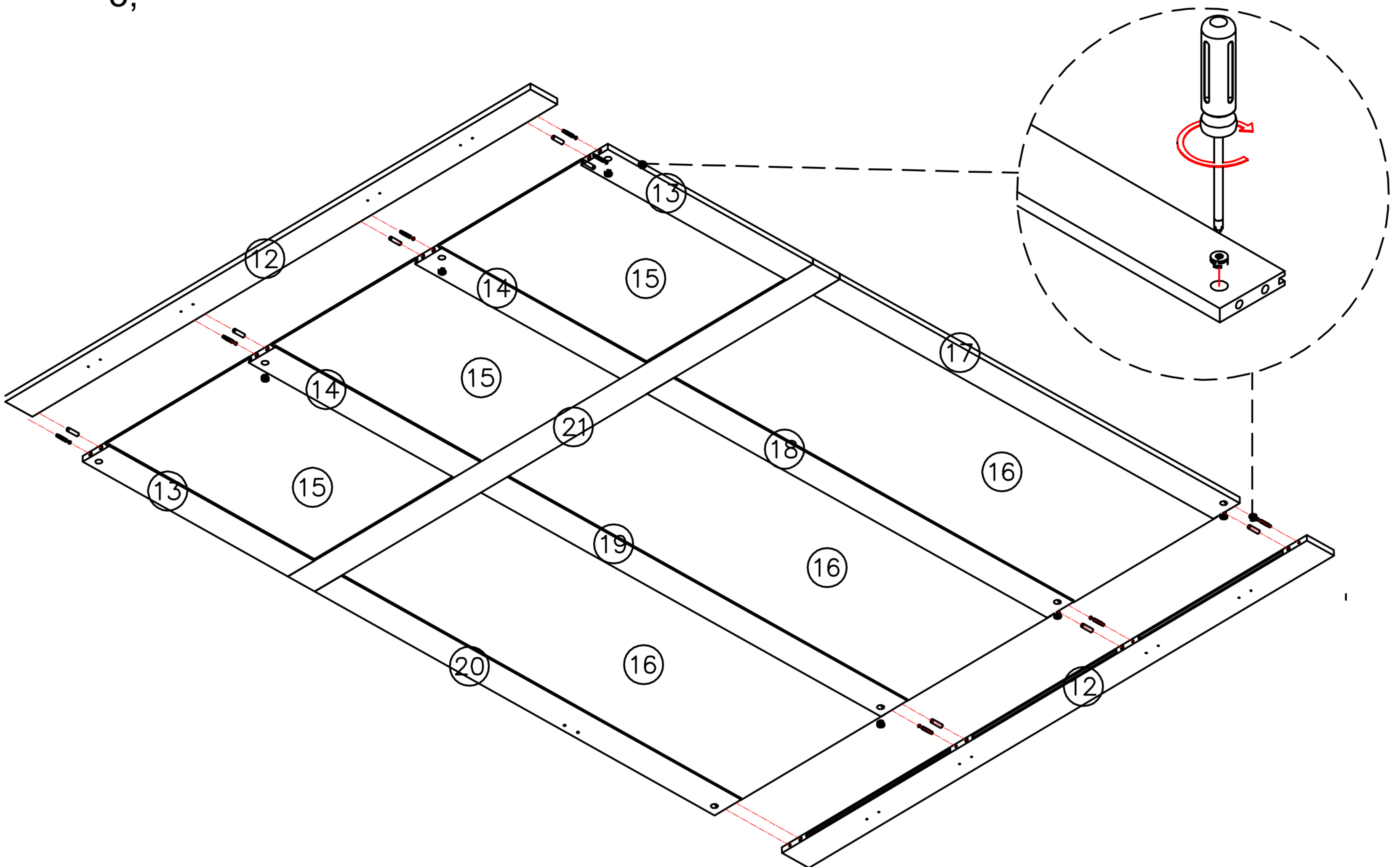


⑬*2 ⑭*2 ⑰*1 ⑱*1 ⑲*1 ⑳*1 | ①*8 ②*8 ③*8

2, Slots

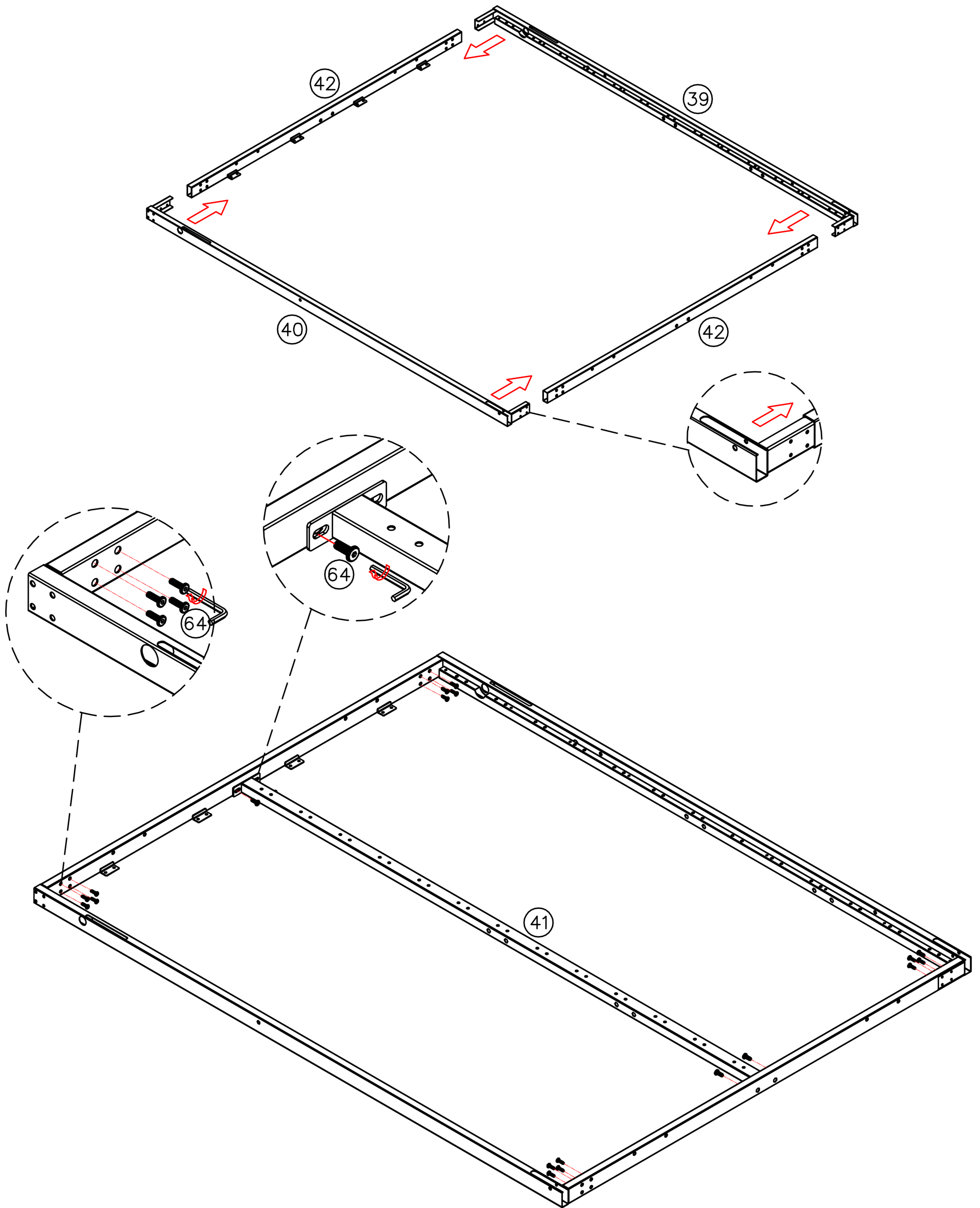


3,



(12)*1 (21)*1 (A)*8 (B)*8 (C1)*8

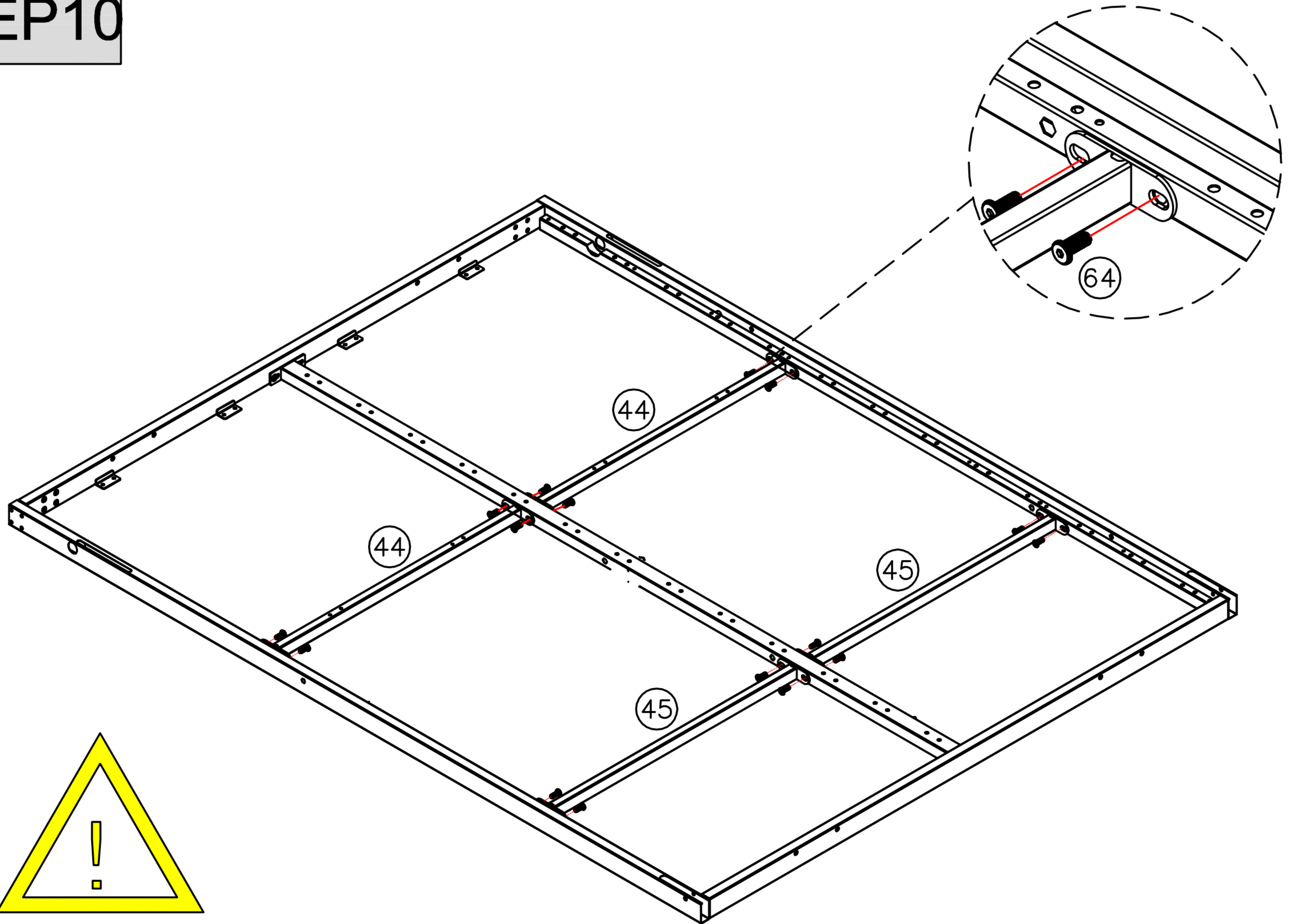
STEP 9



To prevent incorrect installation, please strictly install Panel 41# in the direction shown in the diagram.

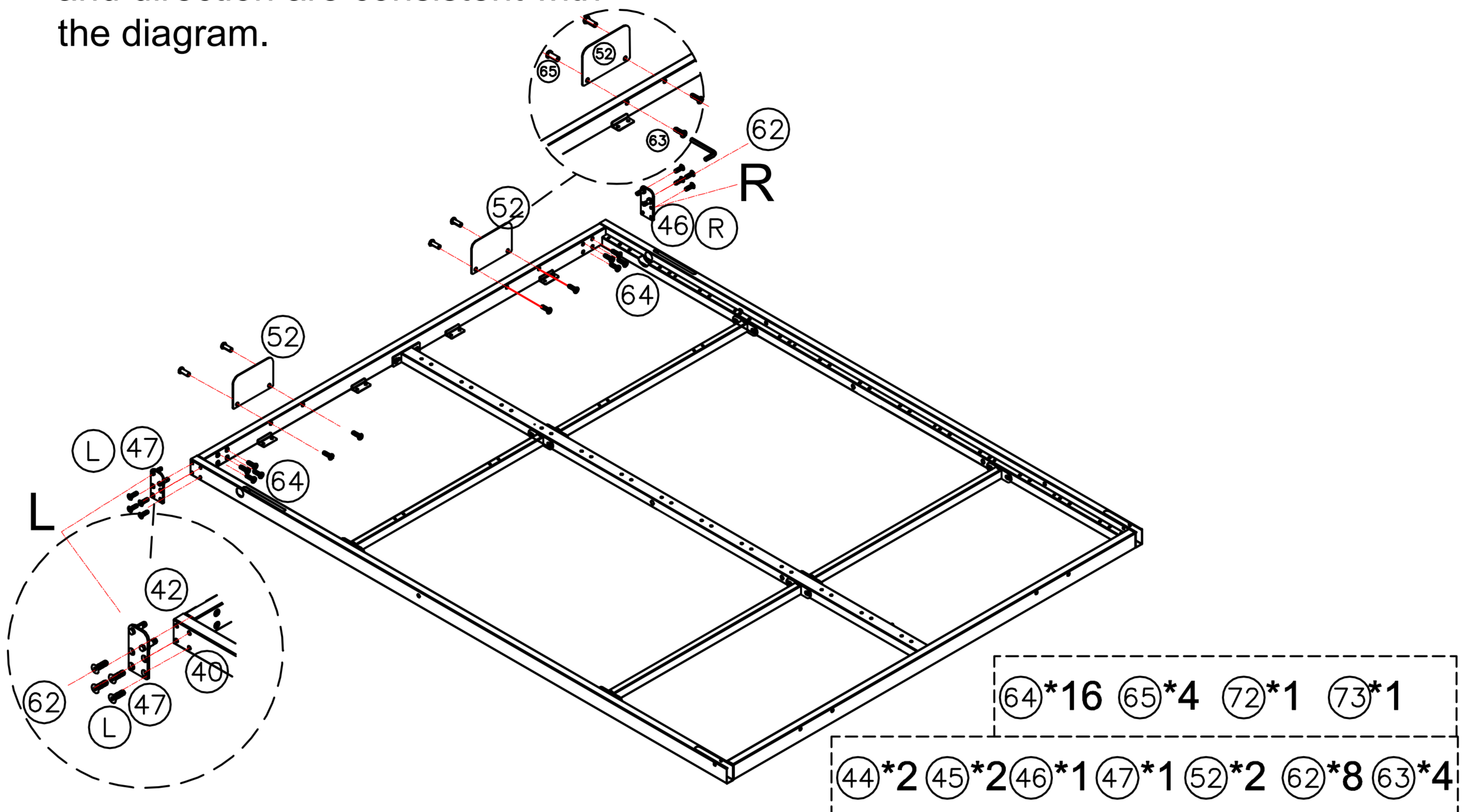
- ③⑨*1
- ④①*1
- ④②*2
- ⑥③*16
- ⑥④*4
- ⑦②*1
- ⑦③*1

STEP 10



WARNING

Incorrect assembly of Part 46 and Part 47 will inevitably causedamage to the product during use. Please carefully check whether their installation position and direction are consistent with the diagram.

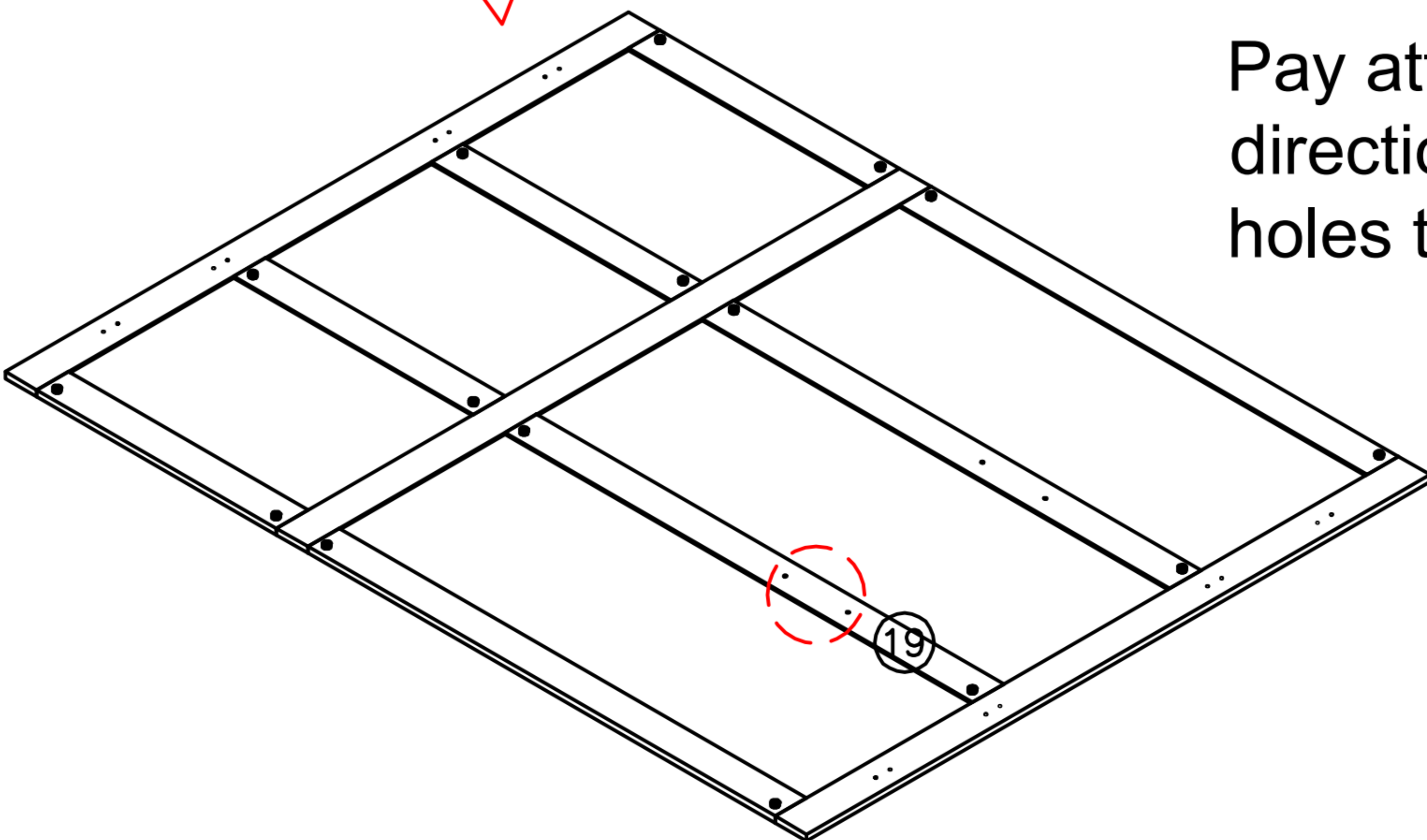
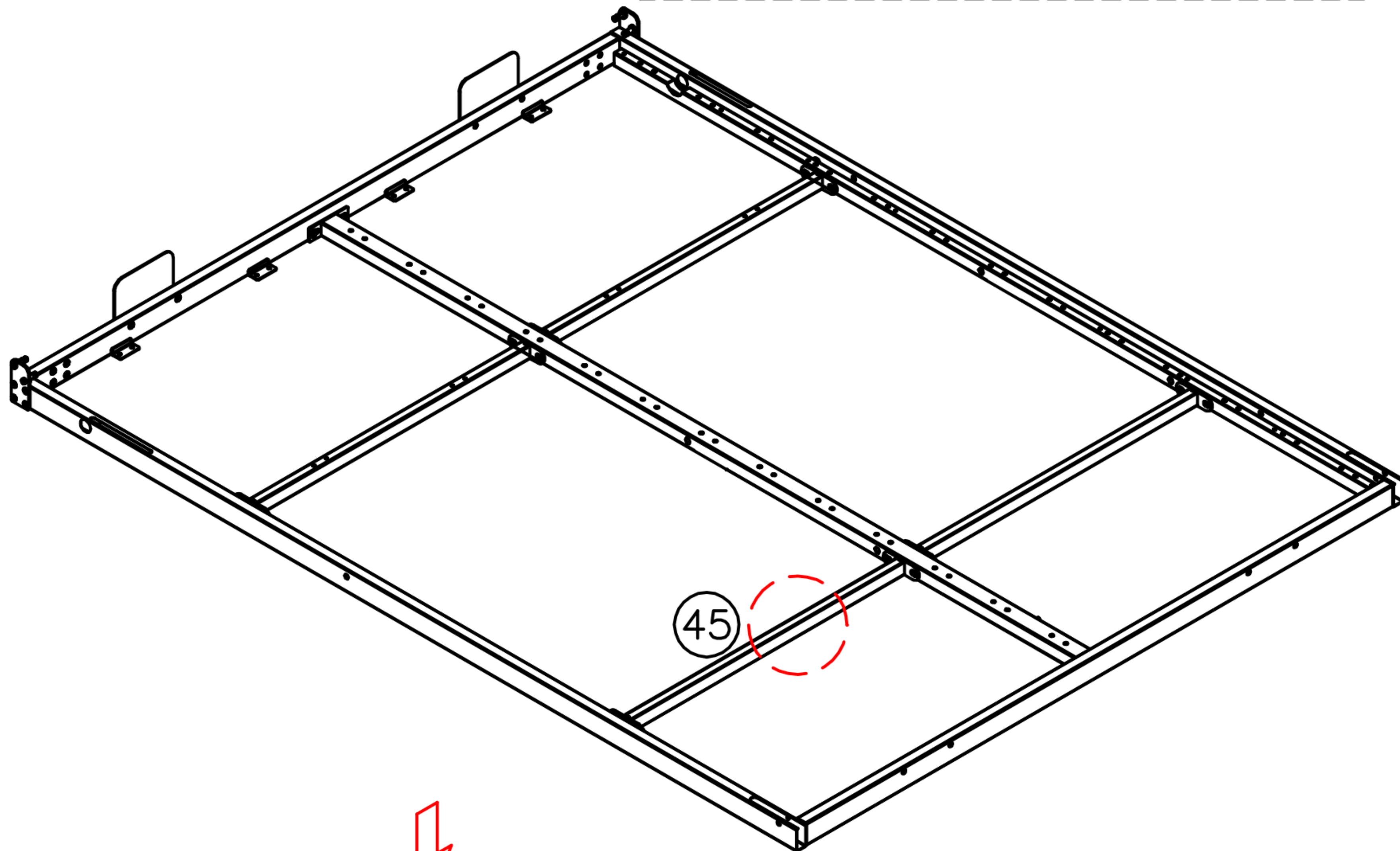


64*16 65*4 72*1 73*1

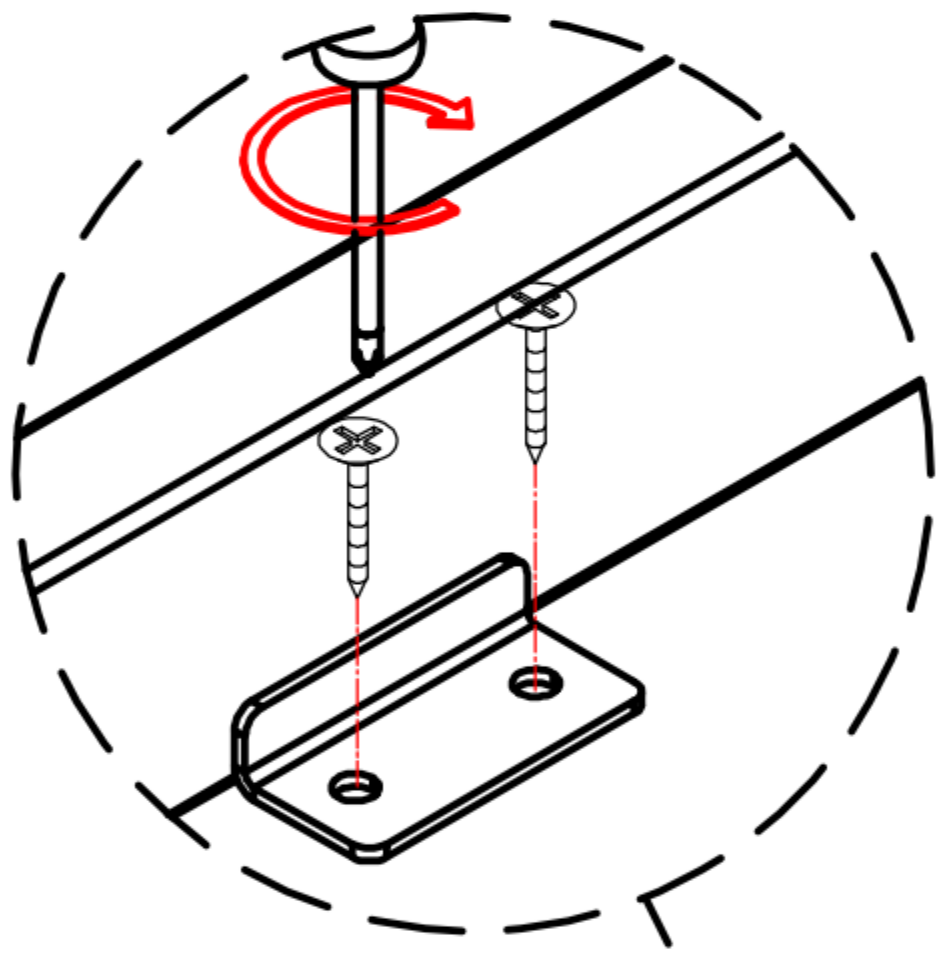
44*2 45*2 46*1 47*1 52*2 62*8 63*4

STEP 11

Tools Required 

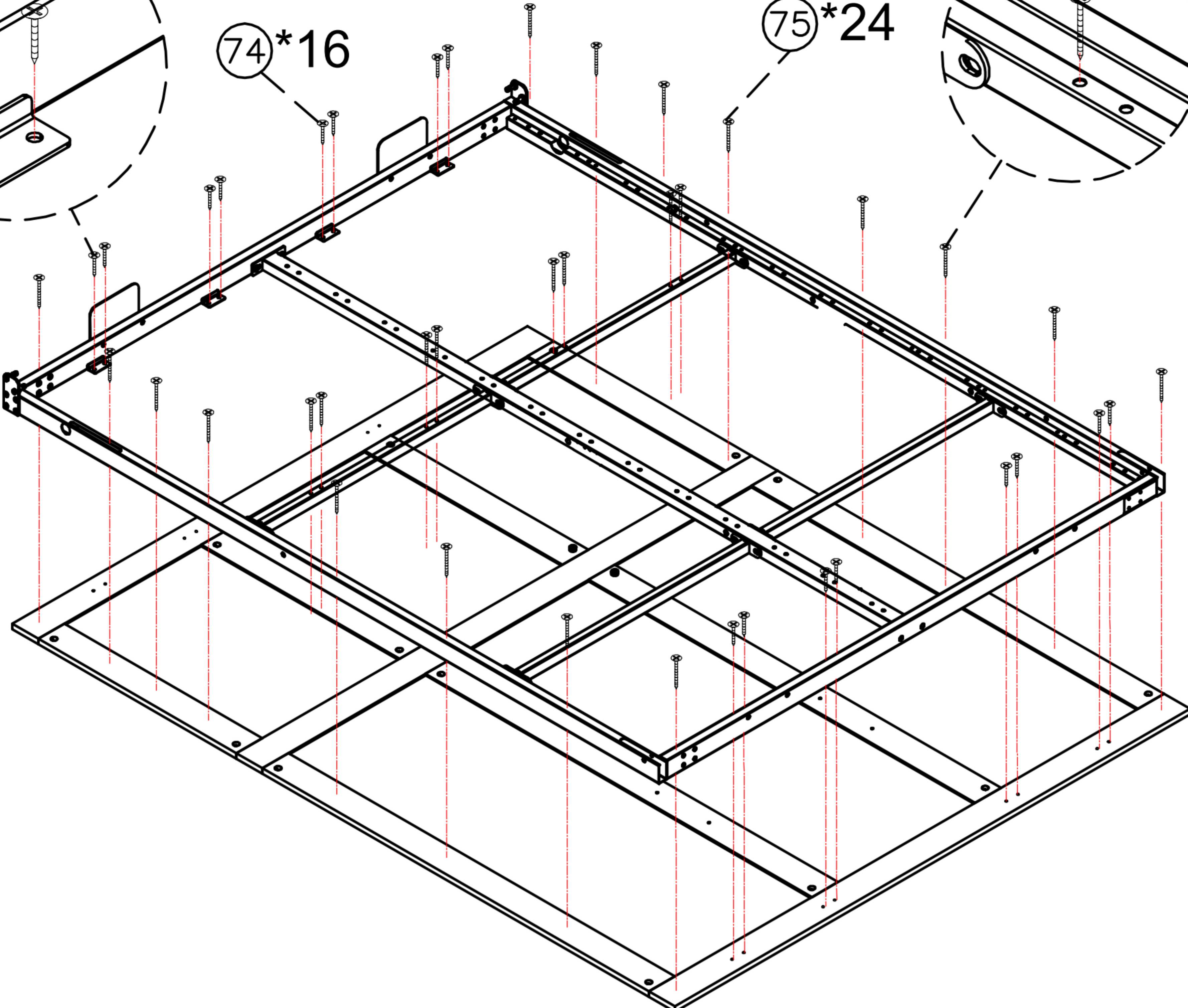
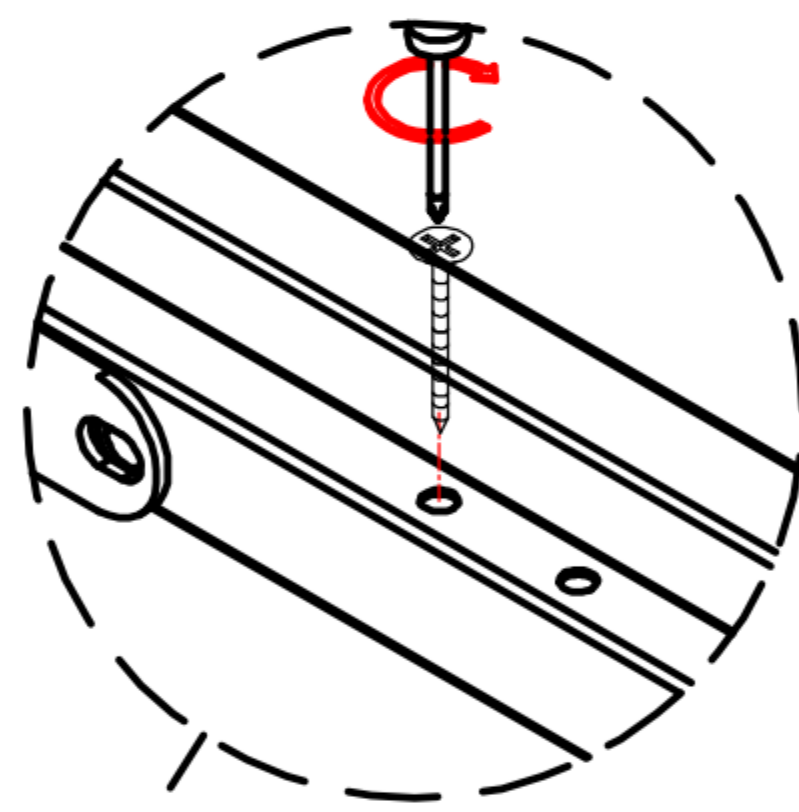


Pay attention to the installation direction. Especially 14# has two guide holes to install 53# stretch across 45#.



74*16

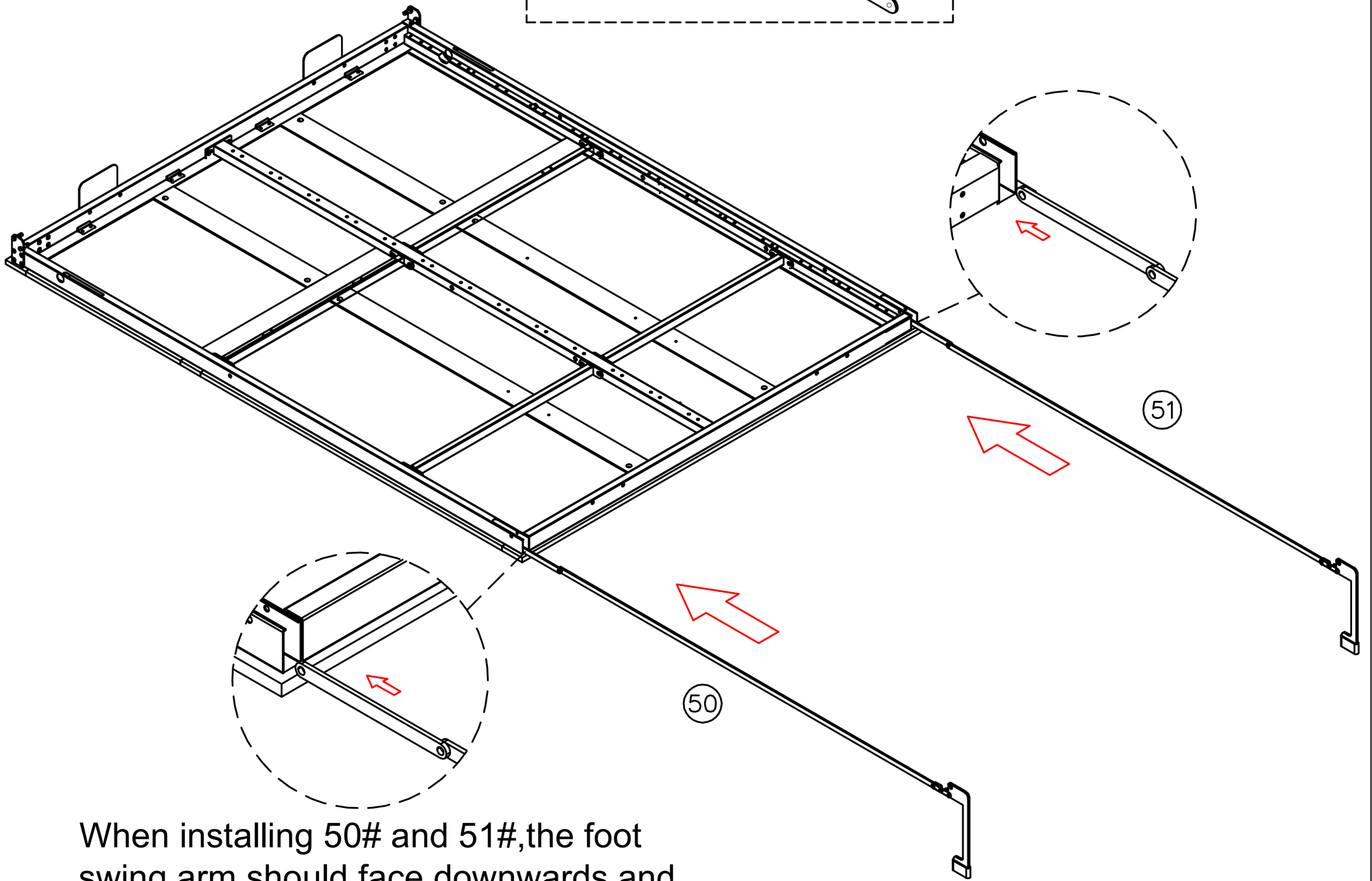
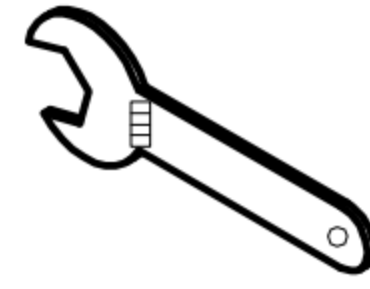
75*24



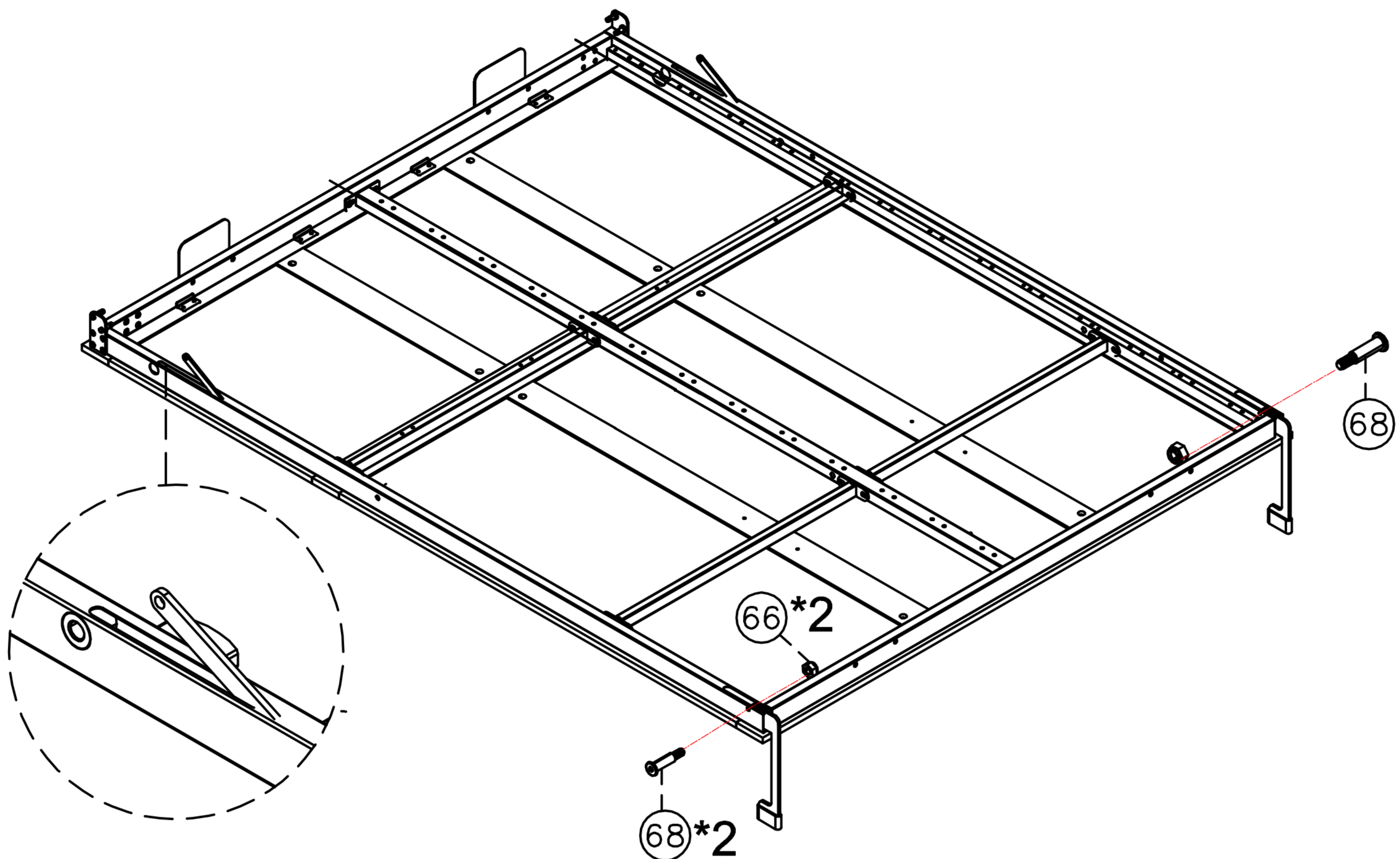
74*16 75*24

STEP 12

Tools Required



When installing 50# and 51#, the foot swing arm should face downwards and the small swing arm should be on the outer side. 50# and 51# can not be exchanged!!

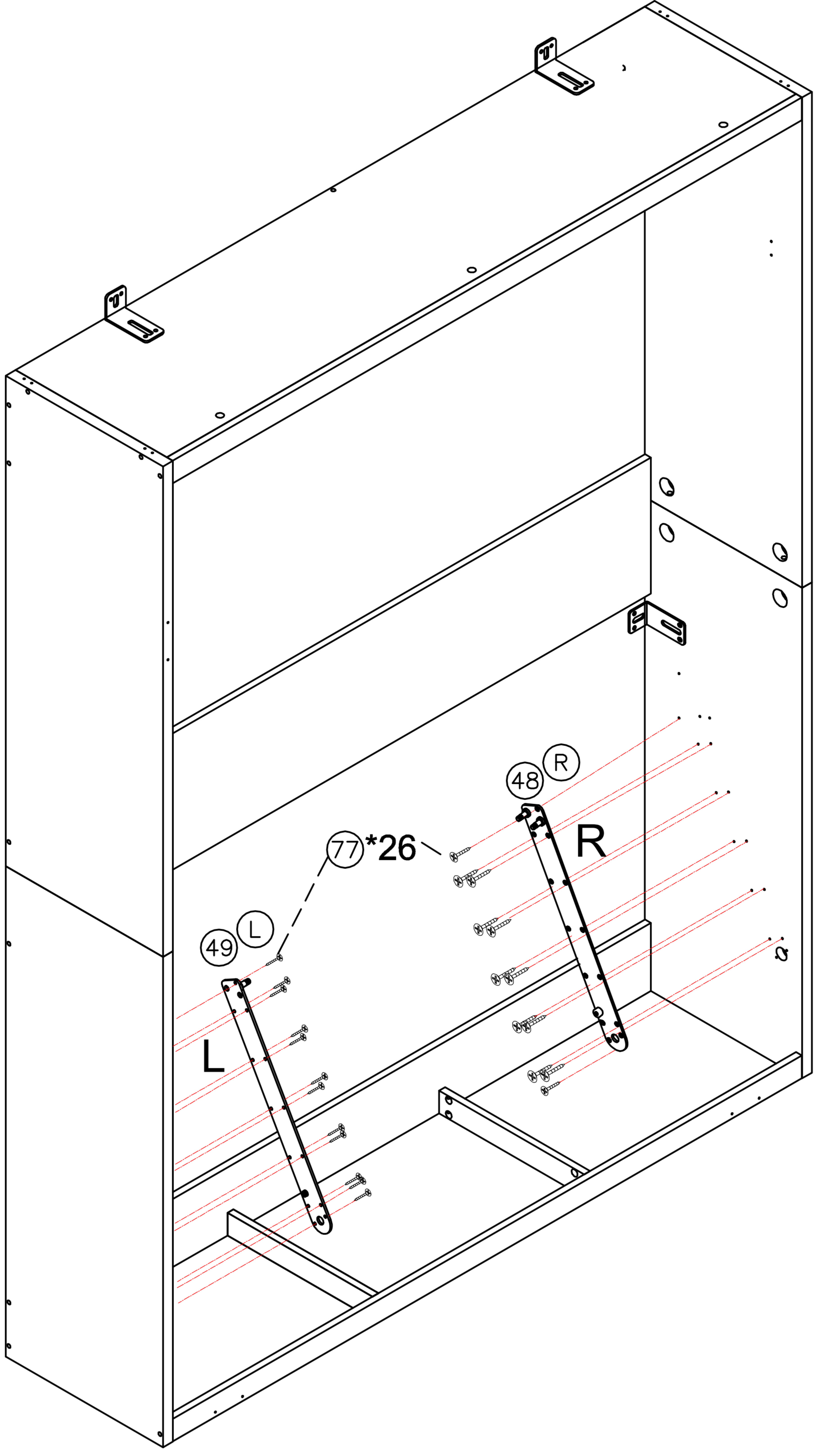


Please lift the small swing arm here
Then install the screws

(50)*1 (51)*1 (66)*2 (68)*2 (72)*1

STEP 13

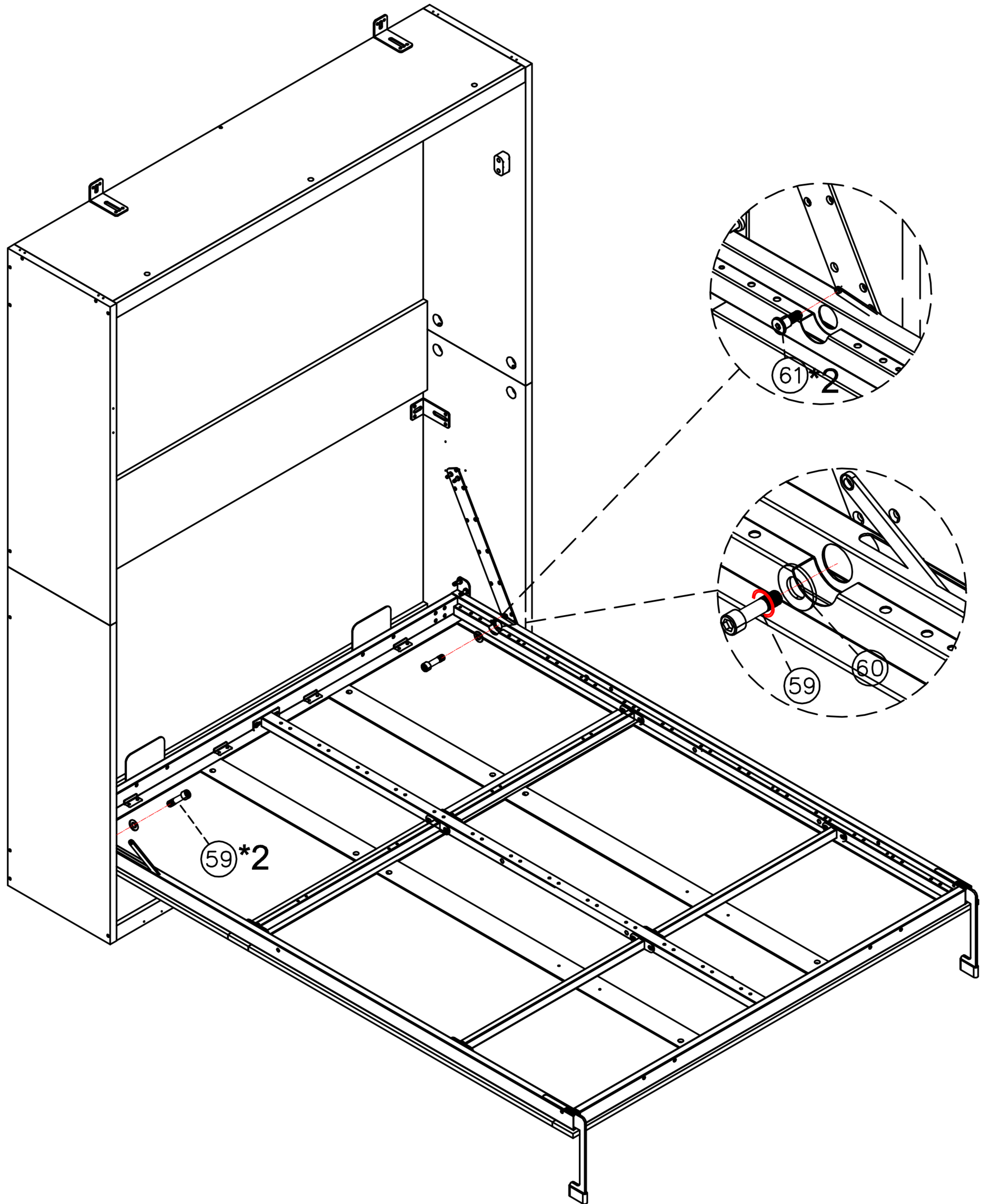
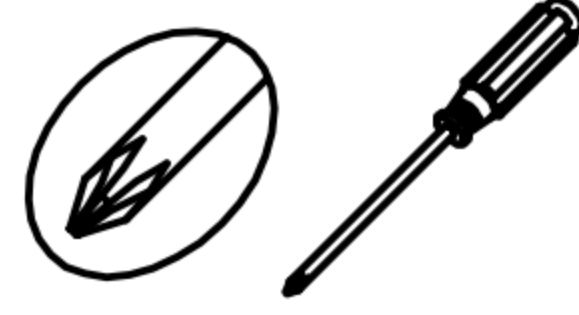
Tools Required 



48*1 49*1 77*26

STEP 14

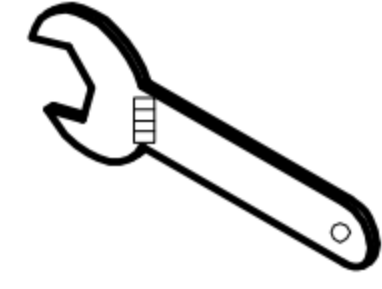
Tools Required



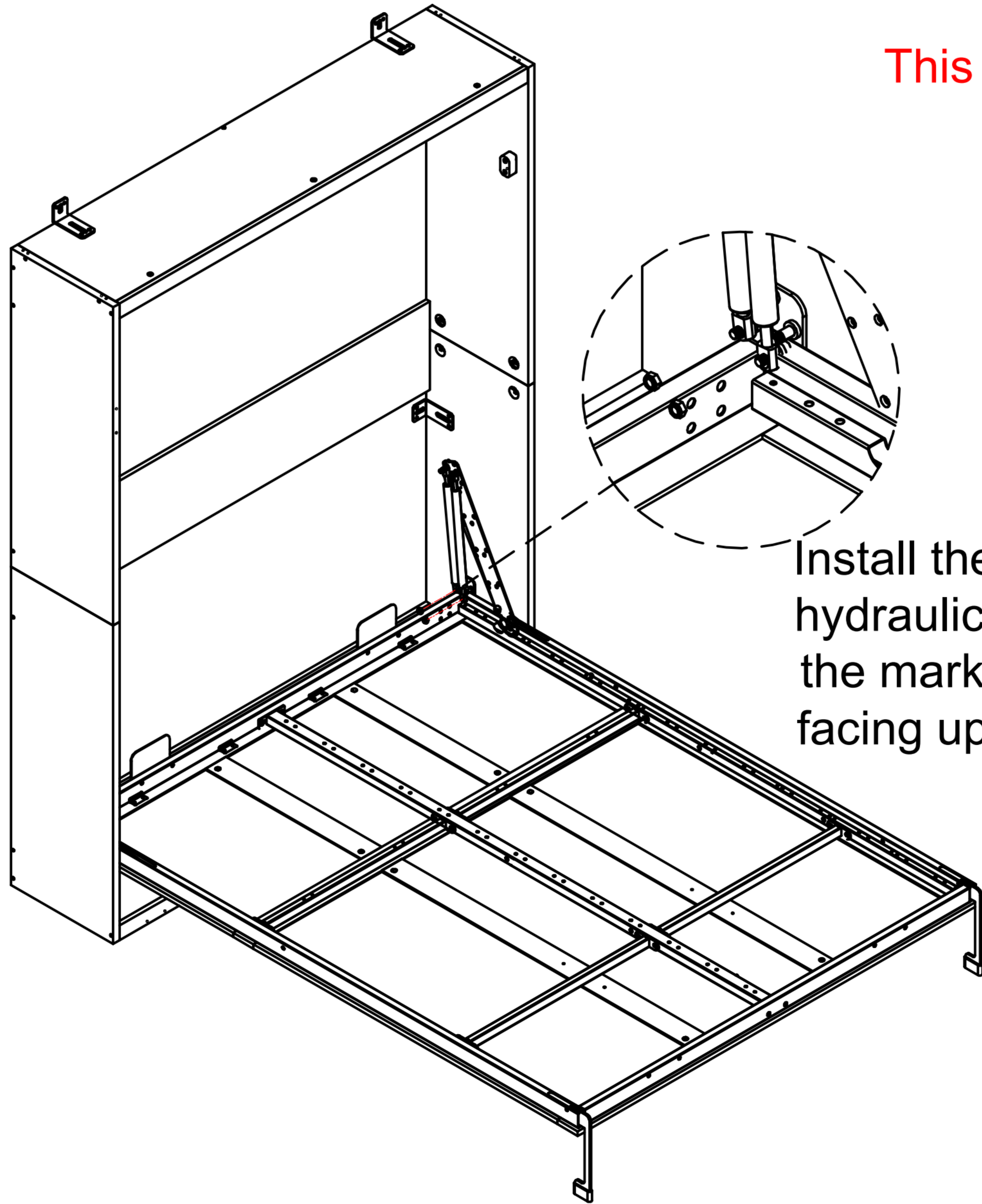
- 59*2
- 60*2
- 61*2
- 72*1
- 76*1

STEP 15

Tools Required

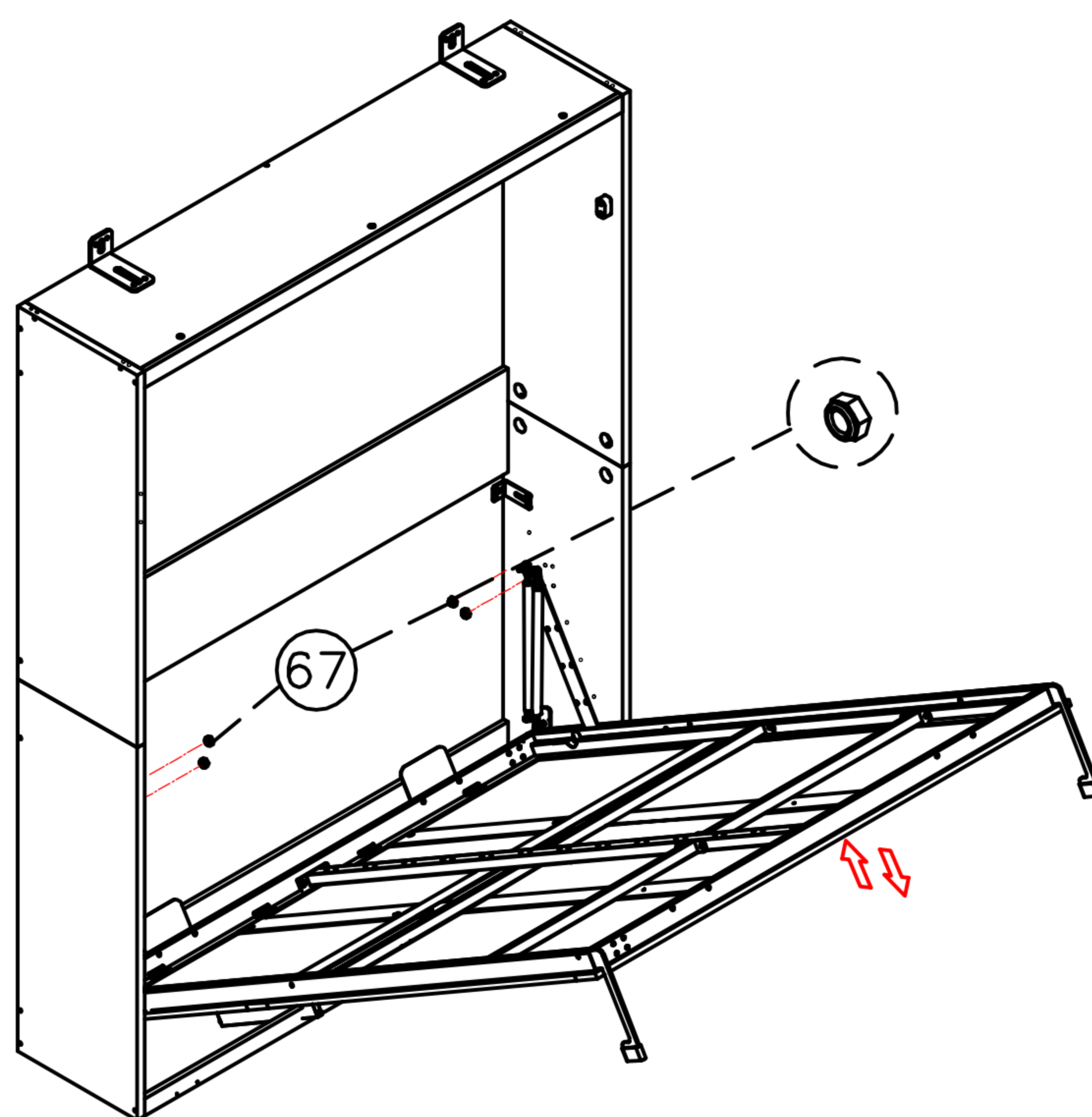


WARNING
DO NOT remove the iron straps compressing the hydraulic rods (Part 58) until you have fixed the rods on both sides of the cabinet interior.



Install the hydraulic lever with the marked area facing upwards.

Swing the bed frame up and down, install 58# onto the bolts of 48# and 49# to get the right position, then lock 67# nuts.



Press down the bed frame appropriately and remove the iron straps of 58#(recommend to wear gloves).

(58)*4 (67)*8

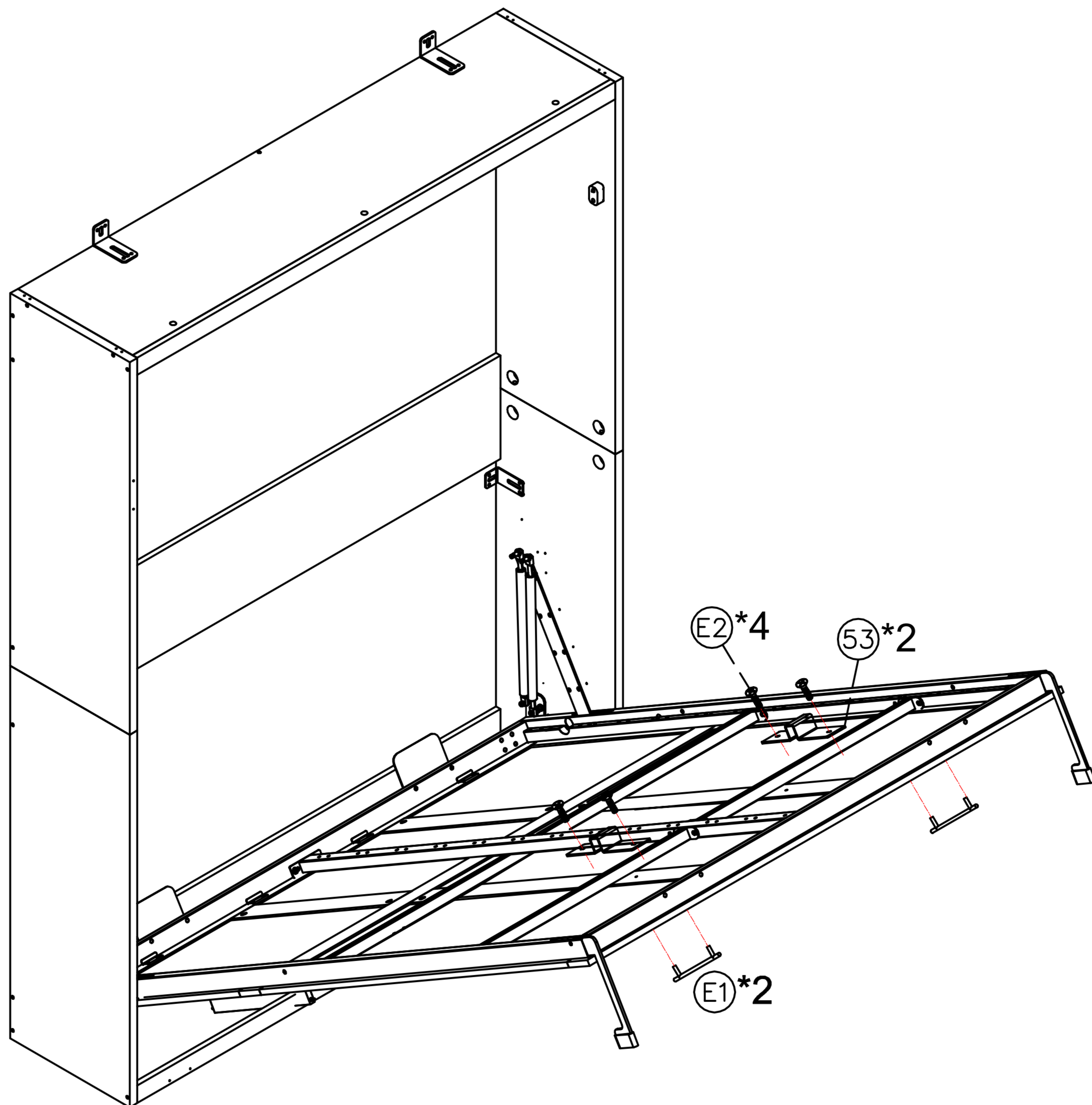
STEP 16

Tools Required



ATTENTION:

Because after removing the iron straps around hydraulic rods, the hydraulic rod will produce tension on the bed frame, due to the subsequent installation, there is no heavy weight on the bed frame, so the bed frame will rebound, therefore, please pay attention to the warning belows.



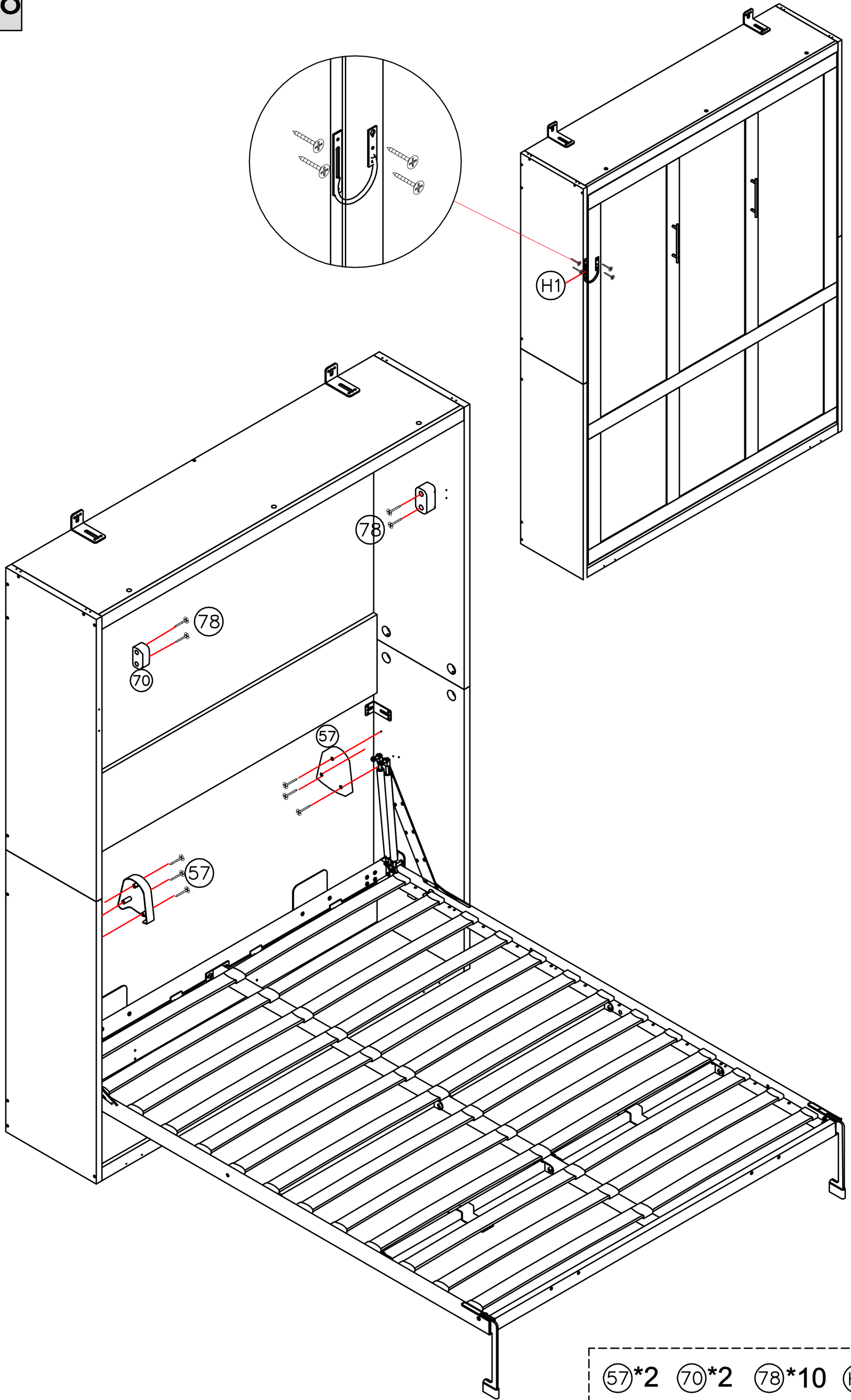
WARNING

For your safety:

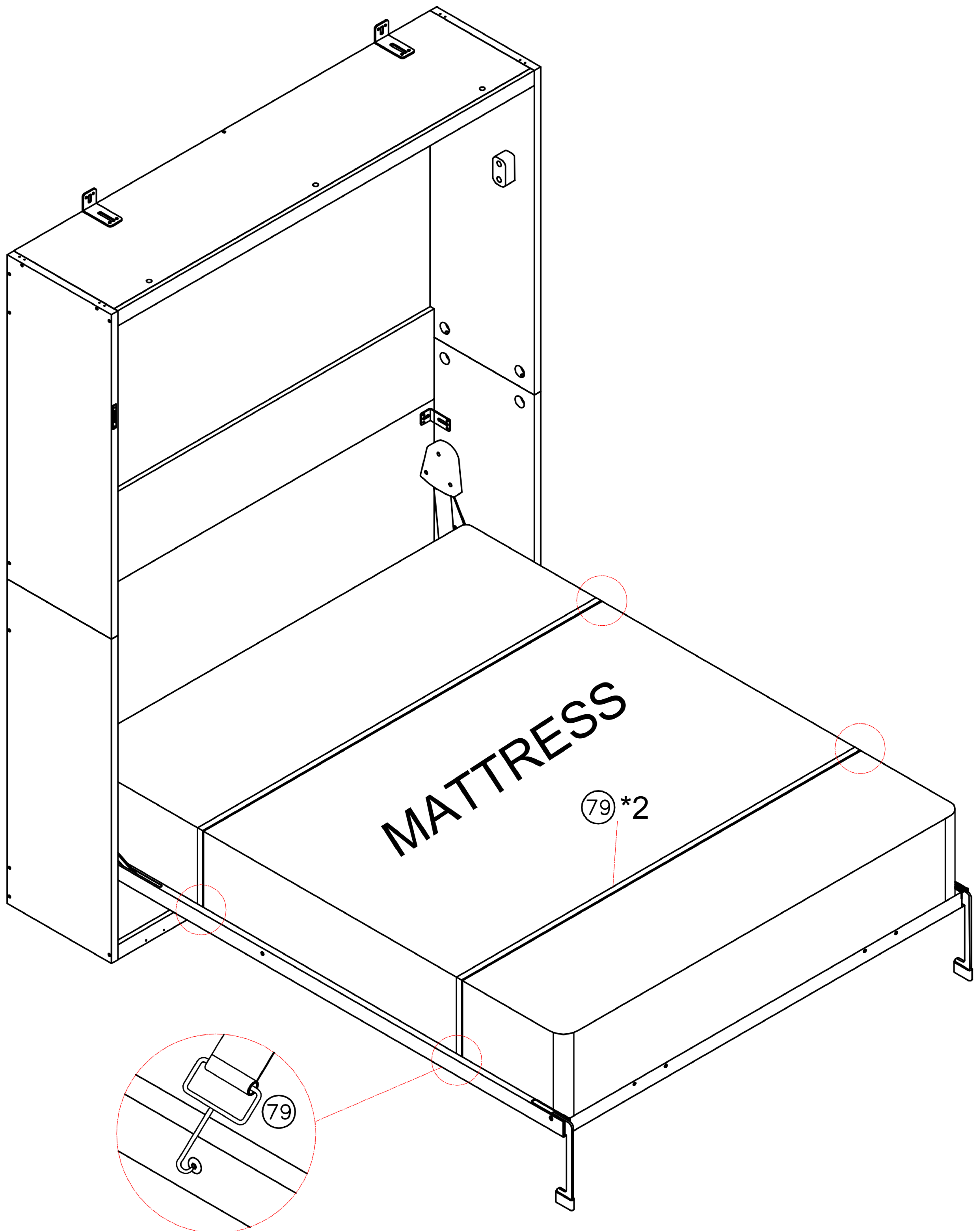
Please use no less than 88lbs of weight to press the bed frame in the subsequent installation process, to avoid accidental injury caused by there bound of the bed frame!

53*2 E1*2 E2*2

STEP 18



STEP 19



The inside hook to fixed the mattress strap

Final Assembly!

