
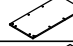







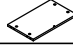





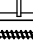
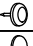
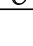




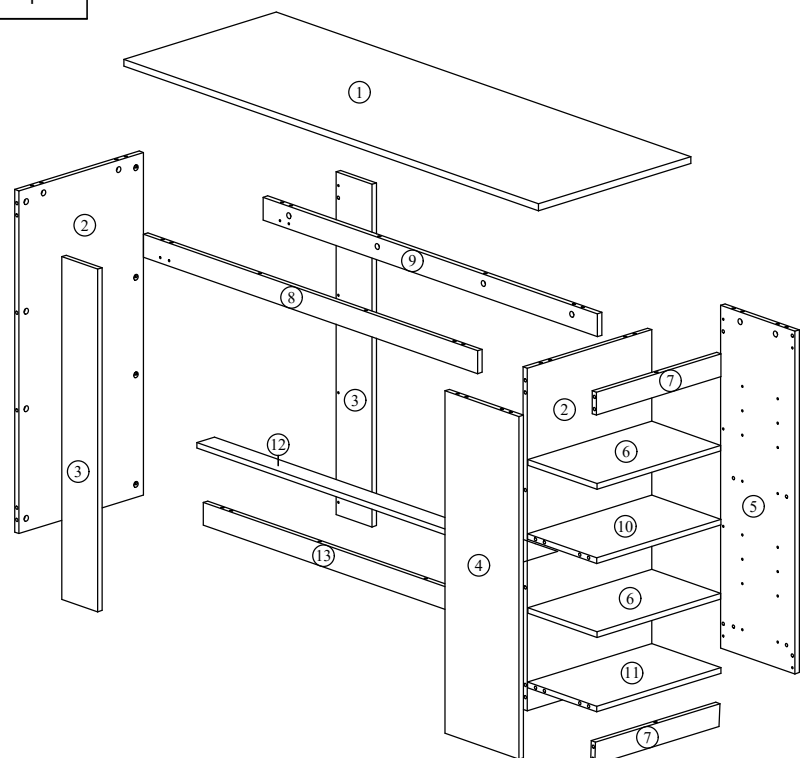
ASSEMBLY INSTRUCTION BAR TABLE

Caution: Please read instructions thoroughly before unpacking assembly parts. Sharp, exposed staple tips can cause injury, therefore, for your protection, please remove any exposed staples used in packing.

1. We recommend that you should assemble this product with the assistance of another person; this will make assembly easier, and will help to eliminate damage the product or injury to persons during assembly.
2. Be sure to check all packing materials carefully for small parts that may have come loose inside the carton during shipment.
3. Please do not over tighten screws or bolts.
4. Please put all parts on a non-abrasive floor before assembly, and follow the assembly steps to assemble your newly purchased product correctly and efficiently.

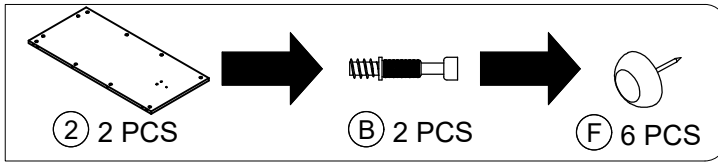
PARTS LIST			
NO.	PART DESC.	PART	QTY
1	TOP PANEL		1 pc
2	SIDE & CENTER PANEL		2 pcs
3	SIDE PANEL - FRONT & BACK		2 pcs
4	SIDE PANEL - R (FRONT)		1 pc
5	SIDE PANEL - R (BACK)		1pc
6	SHELF PANEL		2 pcs
7	TOP BAR - R & LEG PANEL - R		2 pcs
8	TOP BAR - L (FRONT)		1 pc
9	TOP BAR - L (BACK)		1 pc
10	MIDDLE PANEL - UP		1 pc
11	MIDDLE PANEL - DOWN		1 pc
12	LEG PANEL - UP		1 pc
13	LEG PANEL - DOWN		1 pc

HARDWARE LIST				
NO.	HARDWARE DESC.	PART	SIZE	QTY
A	MINIFIX - CAM		15 MM x 11.5 MM	50 pcs
B	MINIFIX - BOLT			50 pcs
C	WOOD DOWEL		M8 x 30MM	40 pcs
D	METAL SHELF SUPPORT			8 pcs
E	CHIPBOARD SCREW		M4 x 25MM	4 pc
F	PVC NAIL LEG			10 pcs
G	STICKER			18 pcs



ASSEMBLY INSTRUCTION BAR TABLE

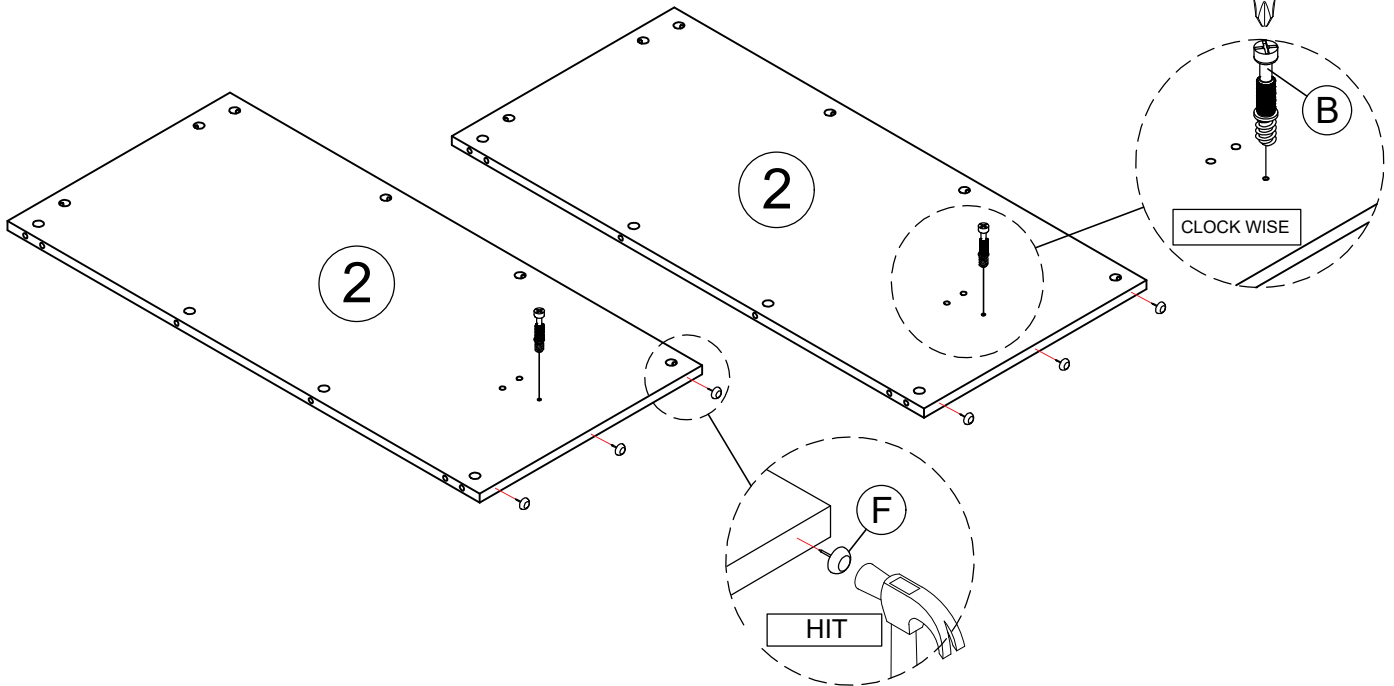
STEP
1



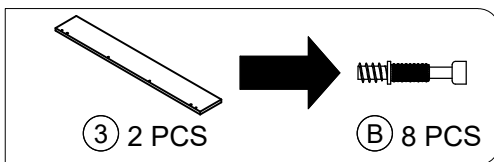
HAMMER
REQUIRED



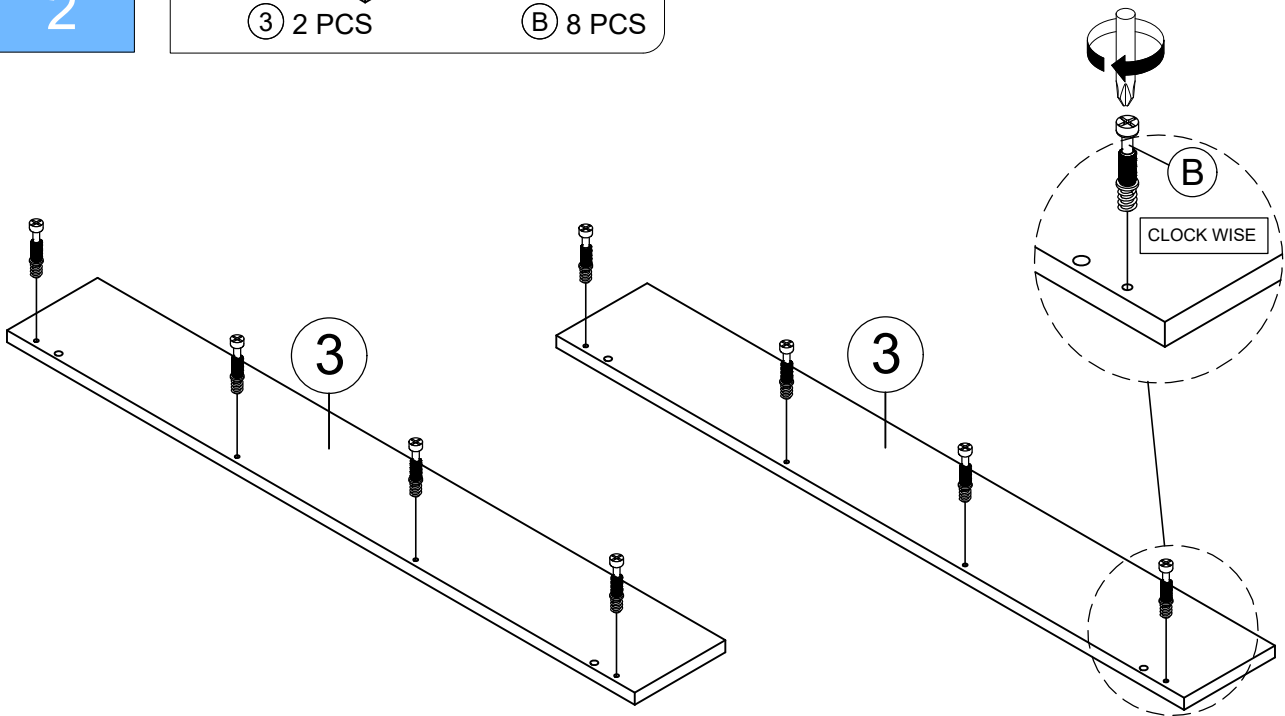
SCREWDRIVER
REQUIRED



STEP
2

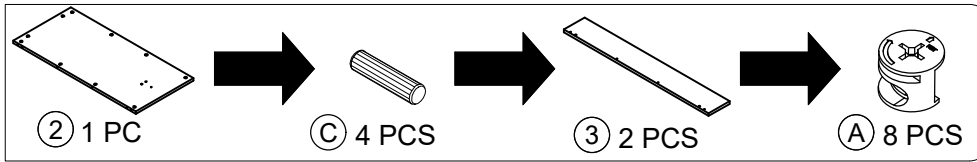


SCREWDRIVER
REQUIRED

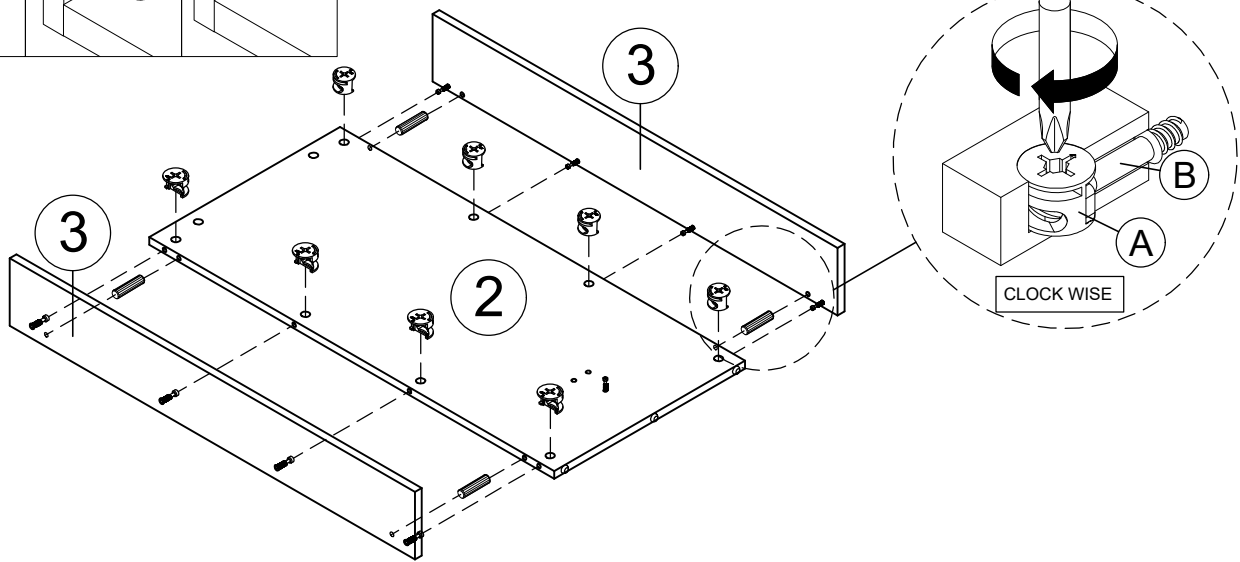
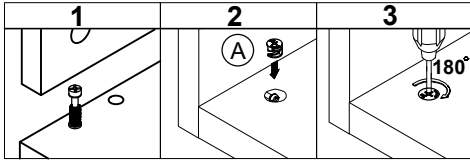


ASSEMBLY INSTRUCTION BAR TABLE

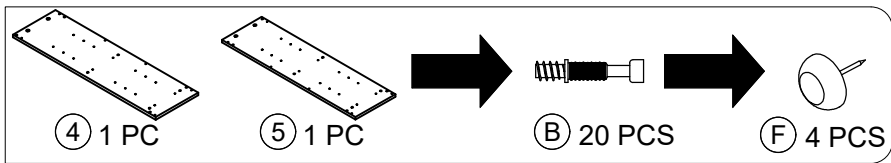
STEP 3



SCREWDRIVER
REQUIRED

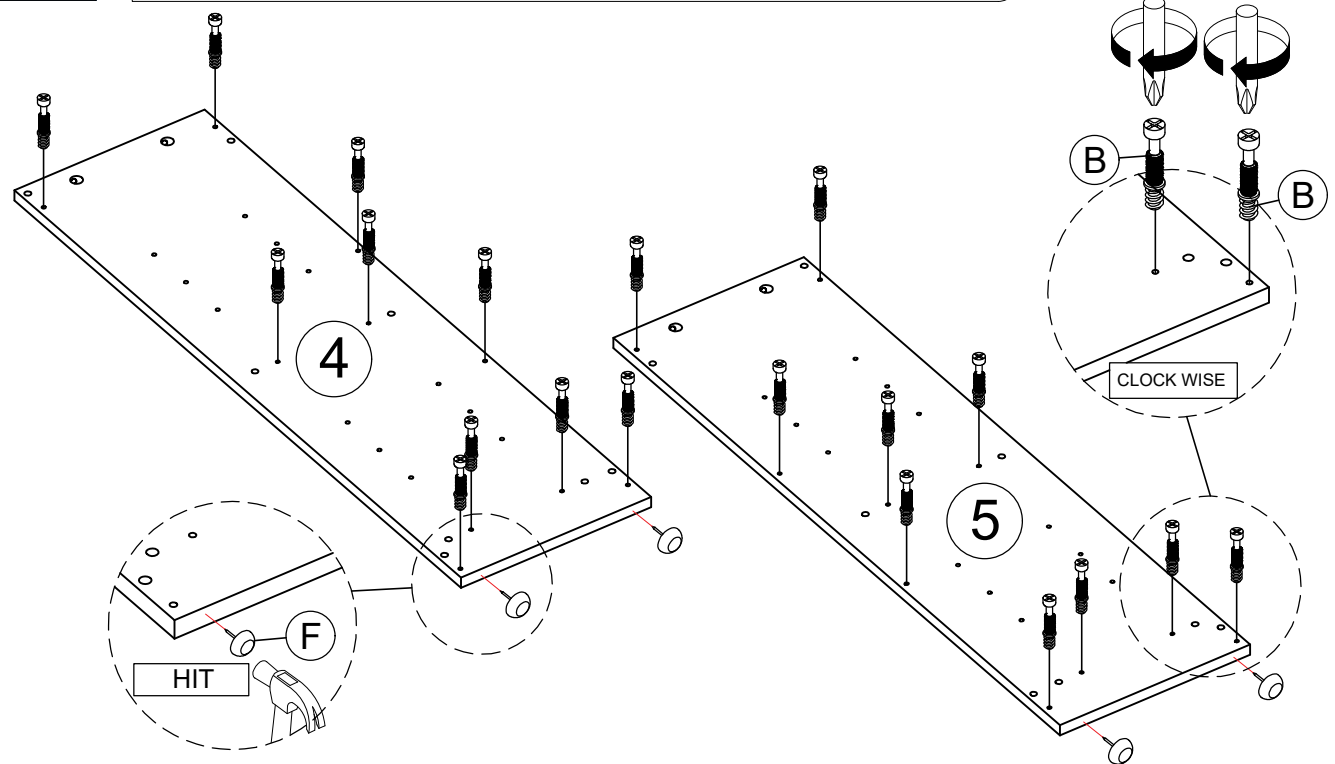


STEP 4



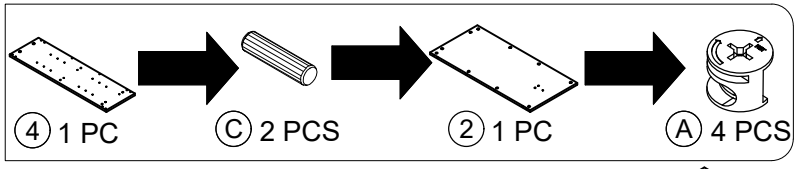
SCREWDRIVER
REQUIRED

HAMMER
REQUIRED

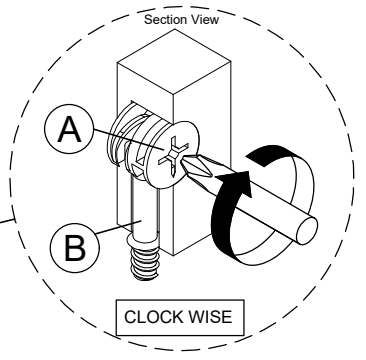
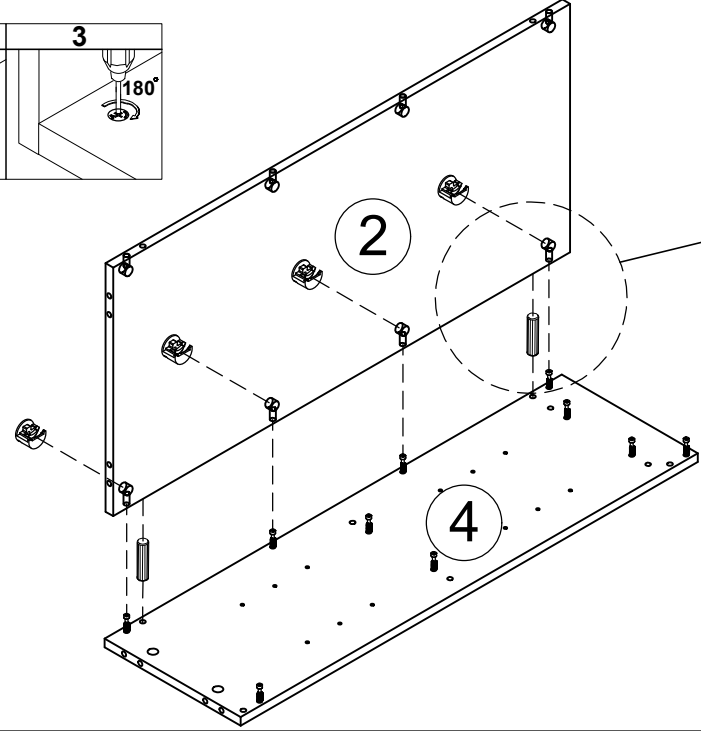
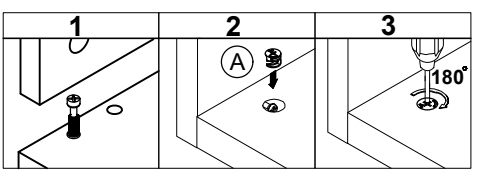


ASSEMBLY INSTRUCTION BAR TABLE

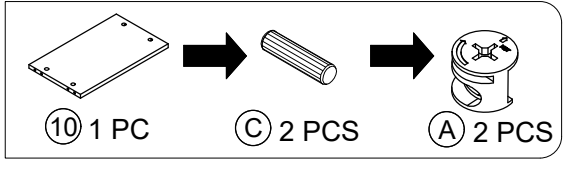
STEP
5



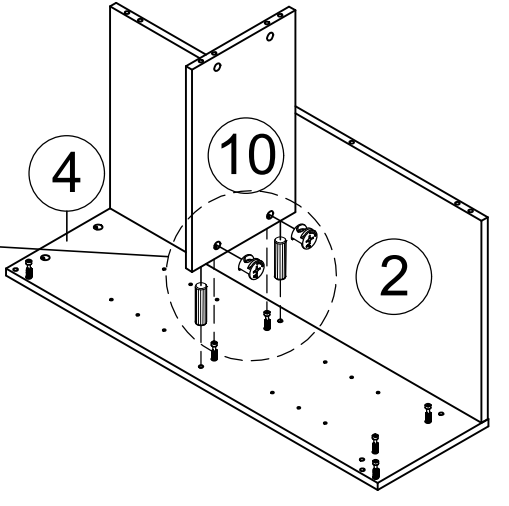
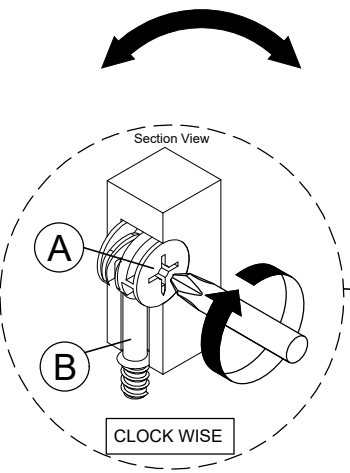
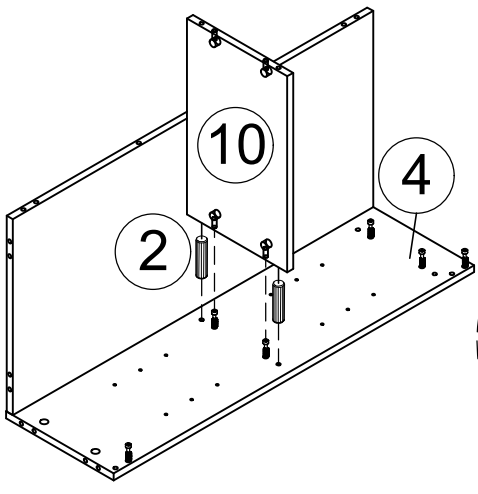
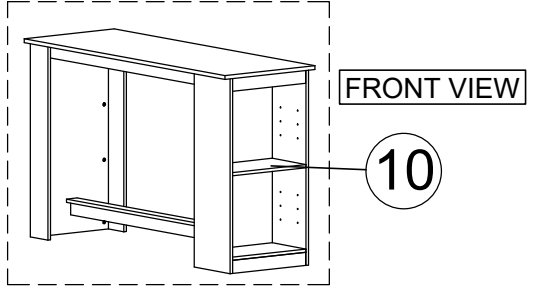
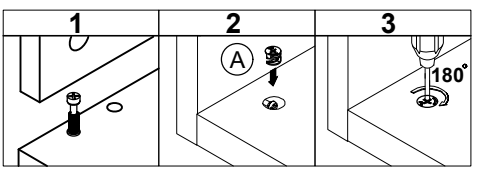
SCREWDRIVER
REQUIRED



STEP
6

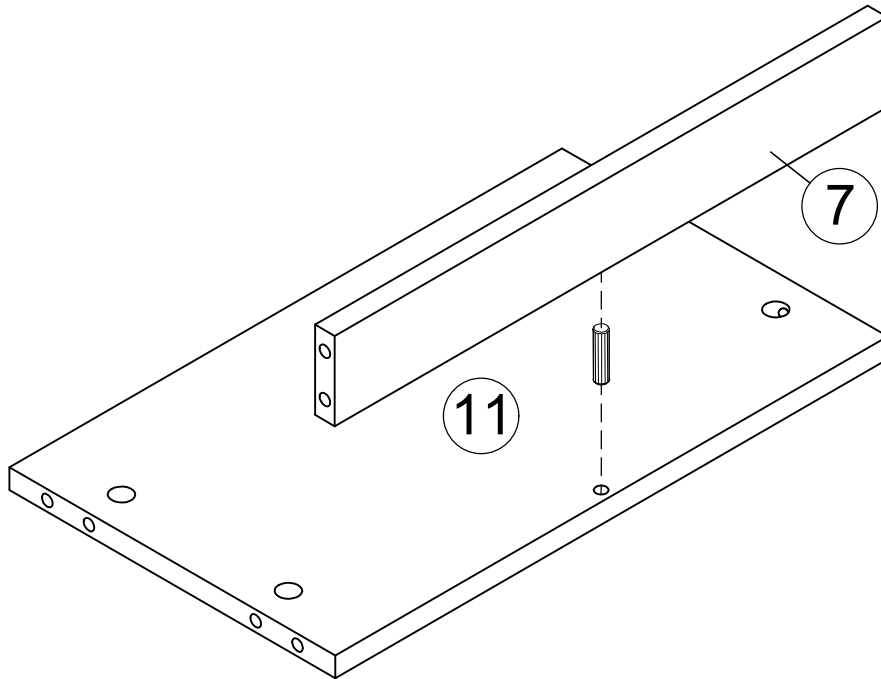
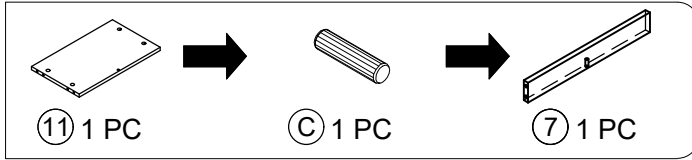


SCREWDRIVER
REQUIRED

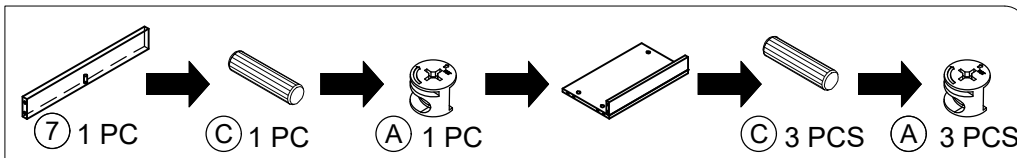


ASSEMBLY INSTRUCTION BAR TABLE

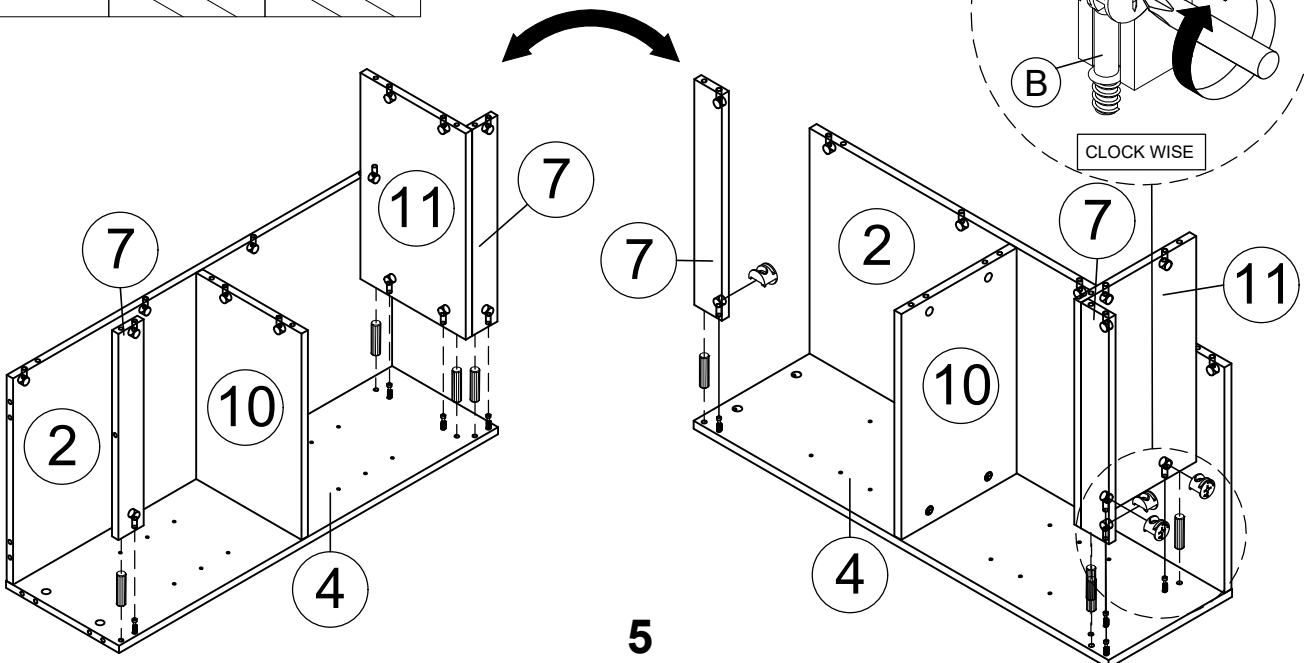
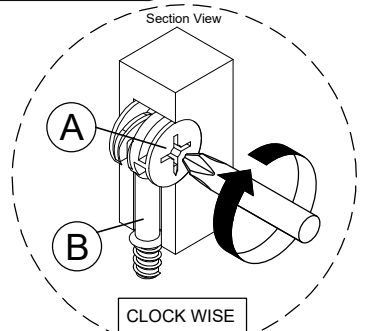
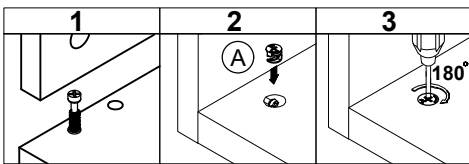
STEP
7



STEP
8

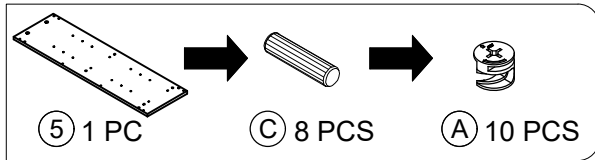


SCREWDRIVER
REQUIRED

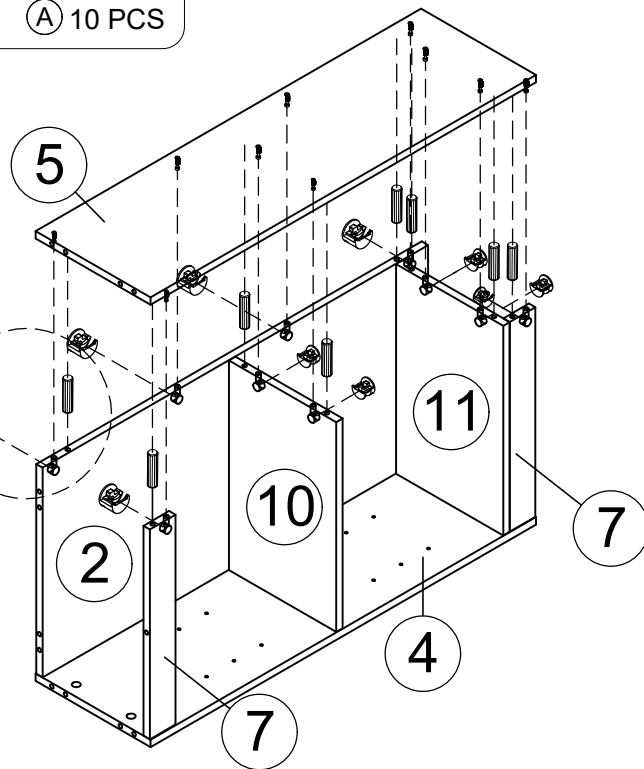
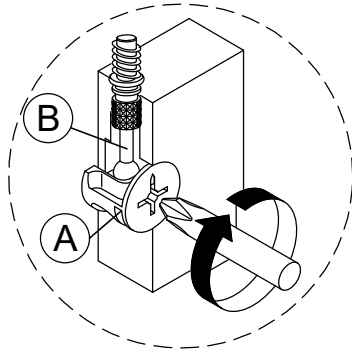
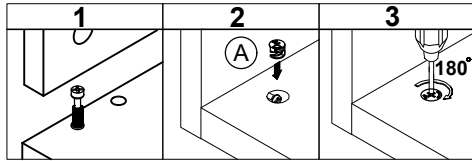


ASSEMBLY INSTRUCTION BAR TABLE

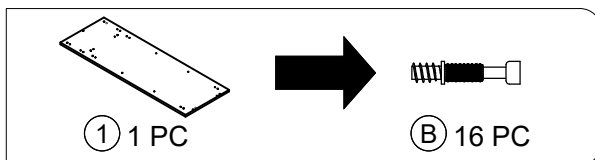
STEP
9




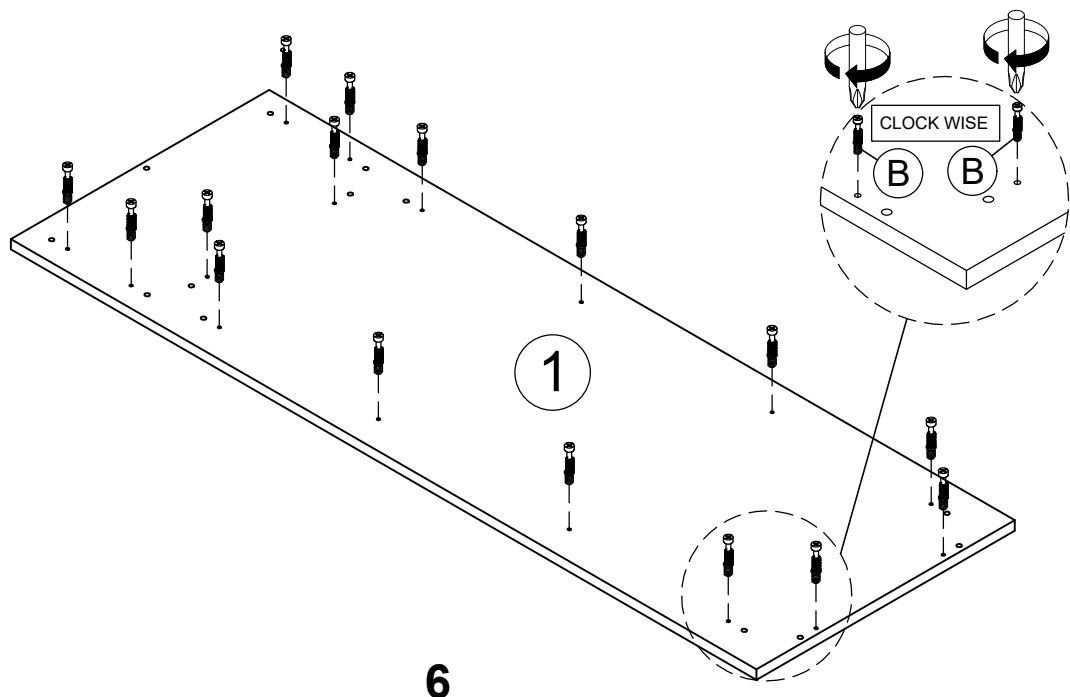
 SCREWDRIVER
REQUIRED



STEP
10



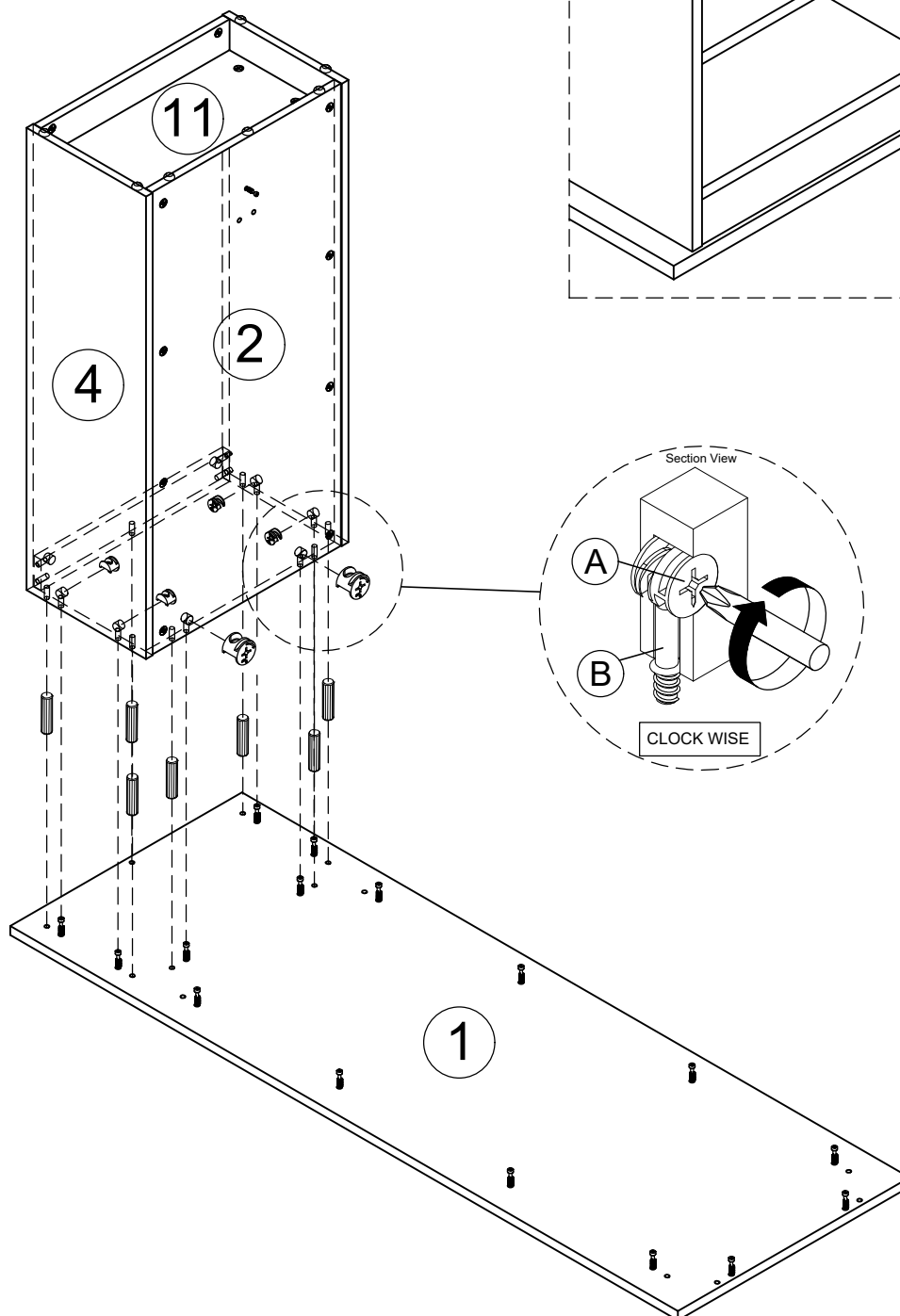
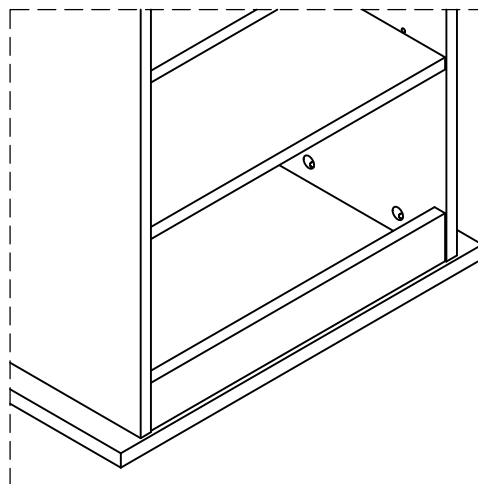
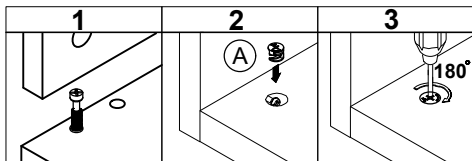
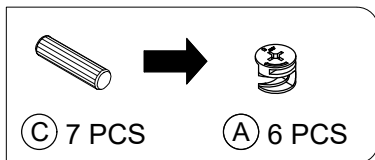
 SCREWDRIVER
REQUIRED



6

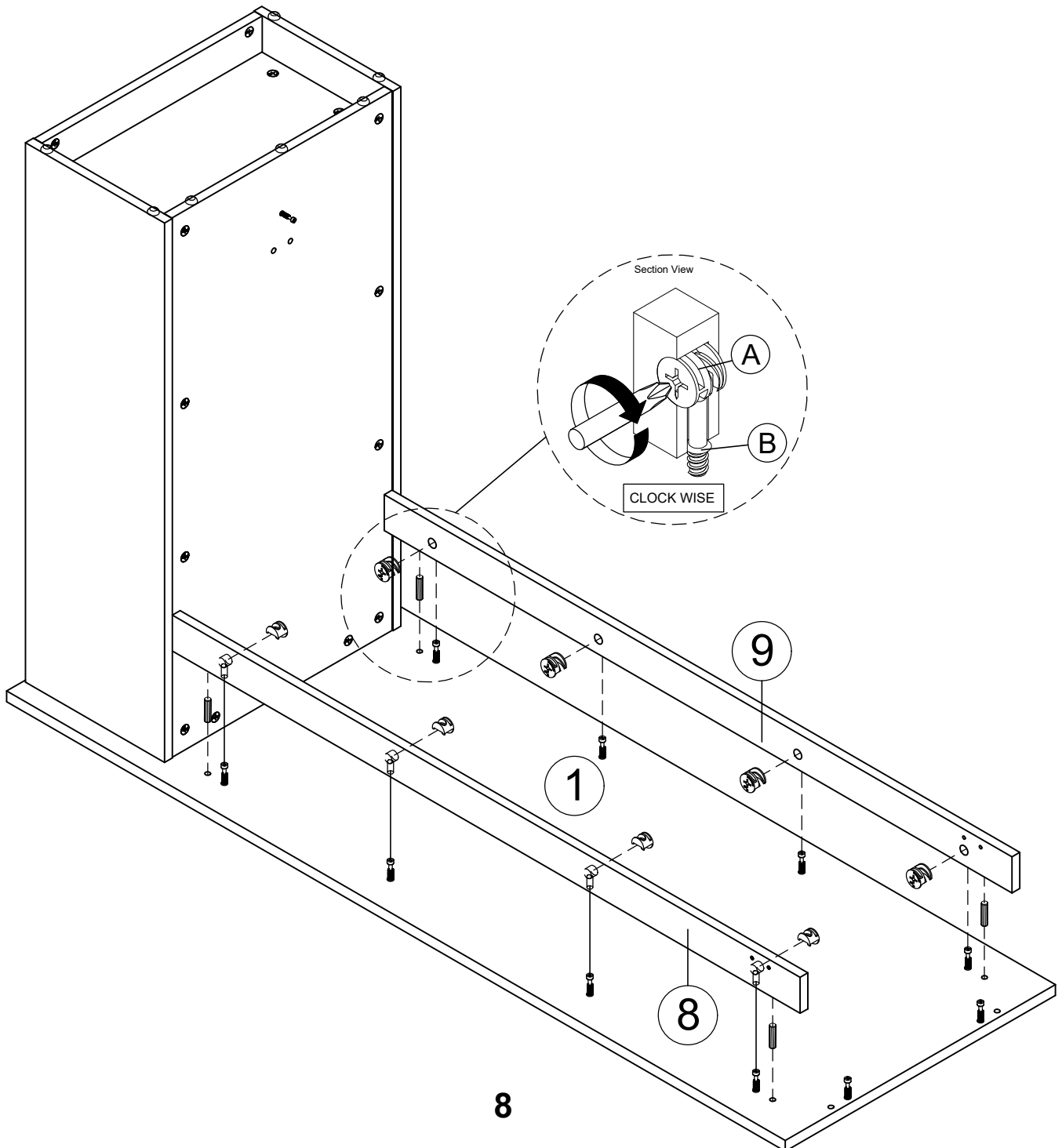
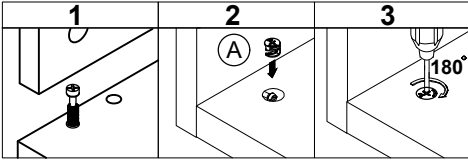
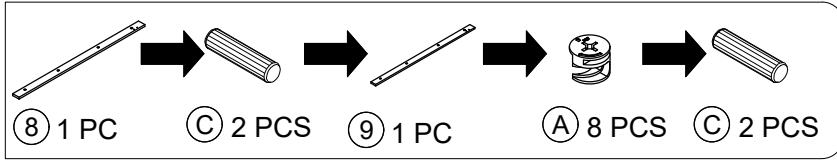
ASSEMBLY INSTRUCTION BAR TABLE

STEP
11



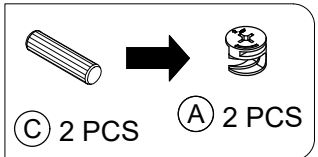
ASSEMBLY INSTRUCTION BAR TABLE

STEP
12

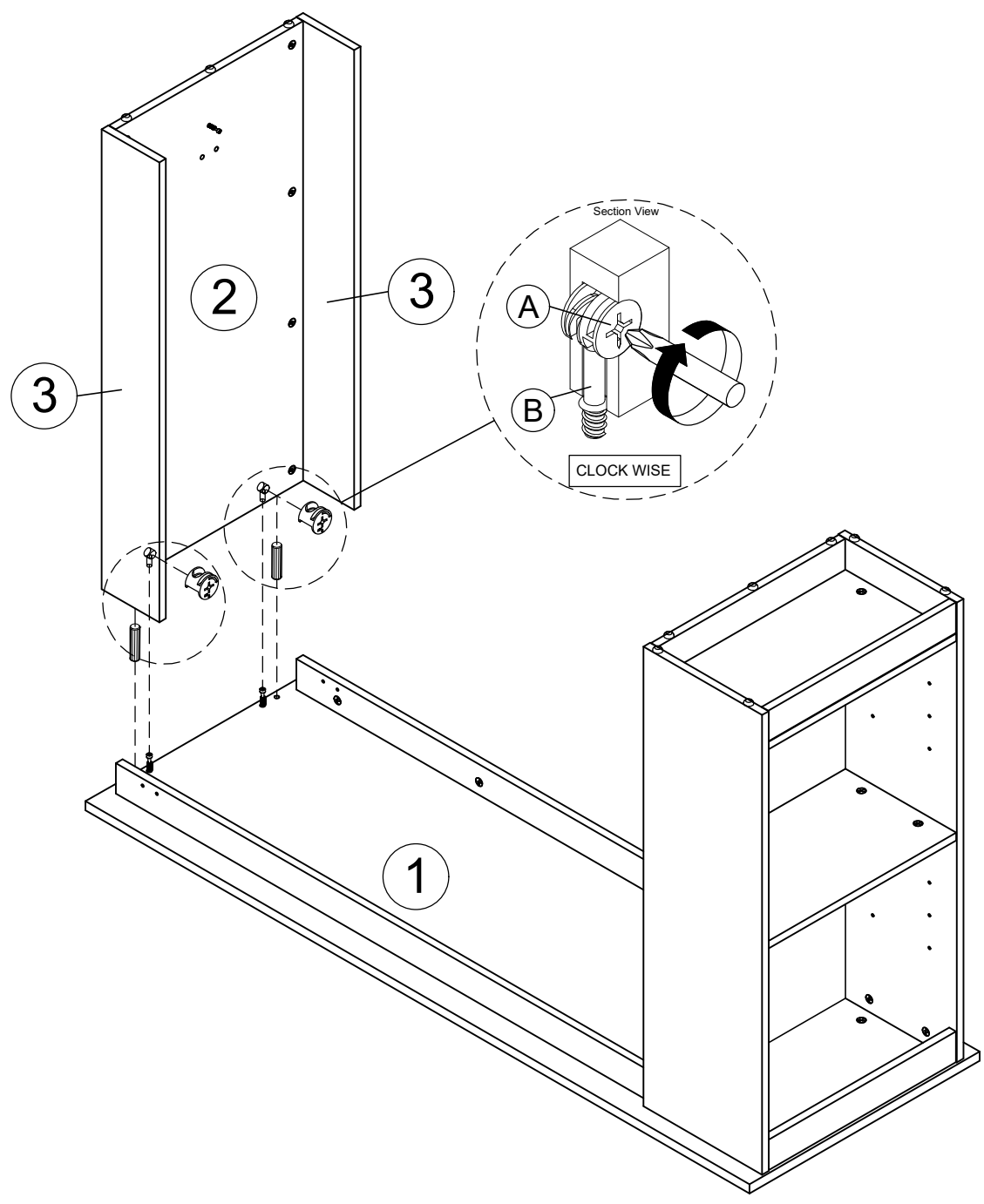
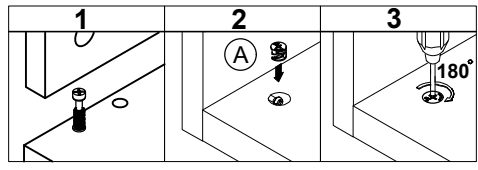


ASSEMBLY INSTRUCTION BAR TABLE

STEP
13

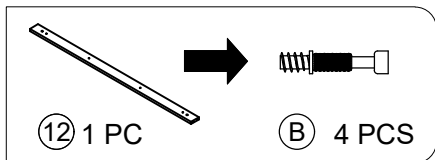


 SCREWDRIVER
REQUIRED

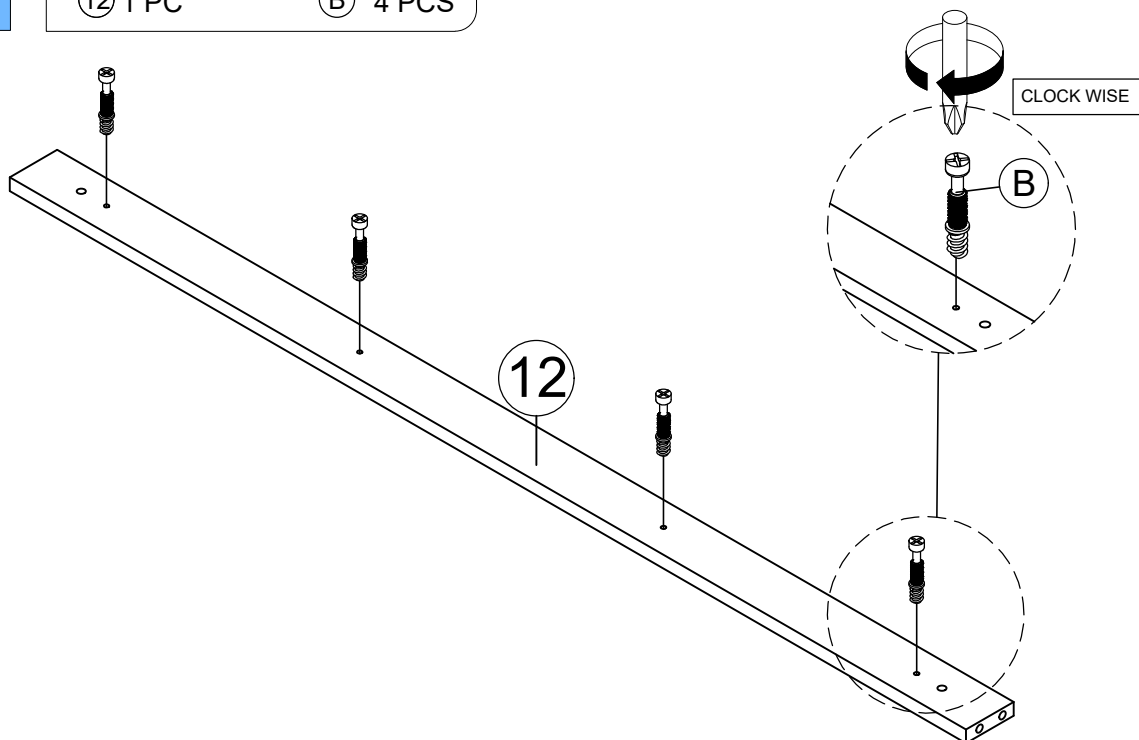


ASSEMBLY INSTRUCTION BAR TABLE

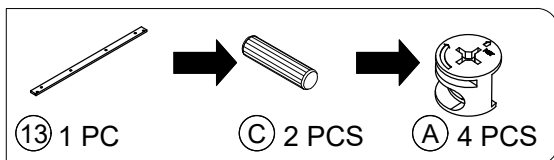
STEP
14



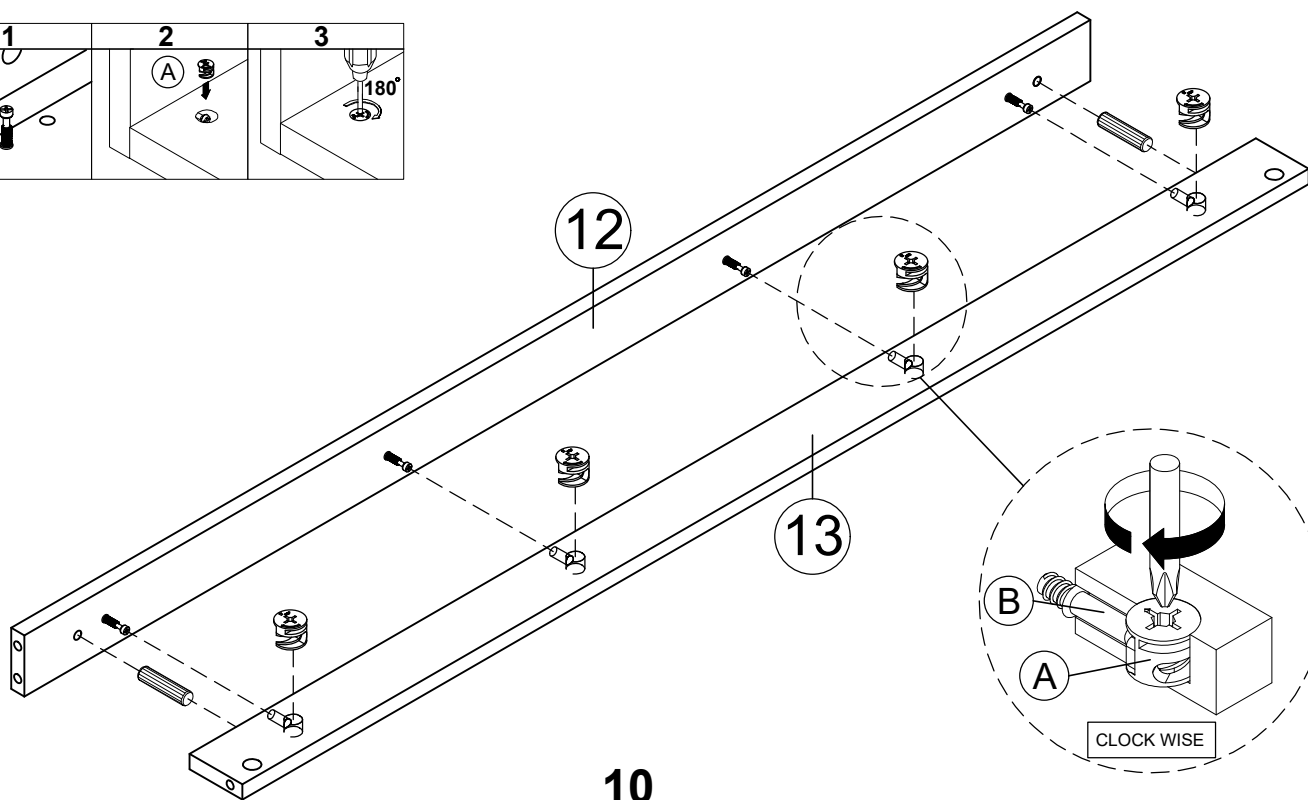
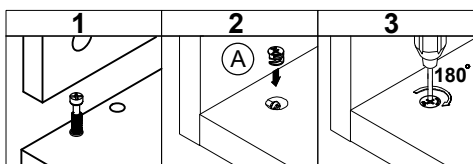
SCREWDRIVER
REQUIRED



STEP
15



SCREWDRIVER
REQUIRED

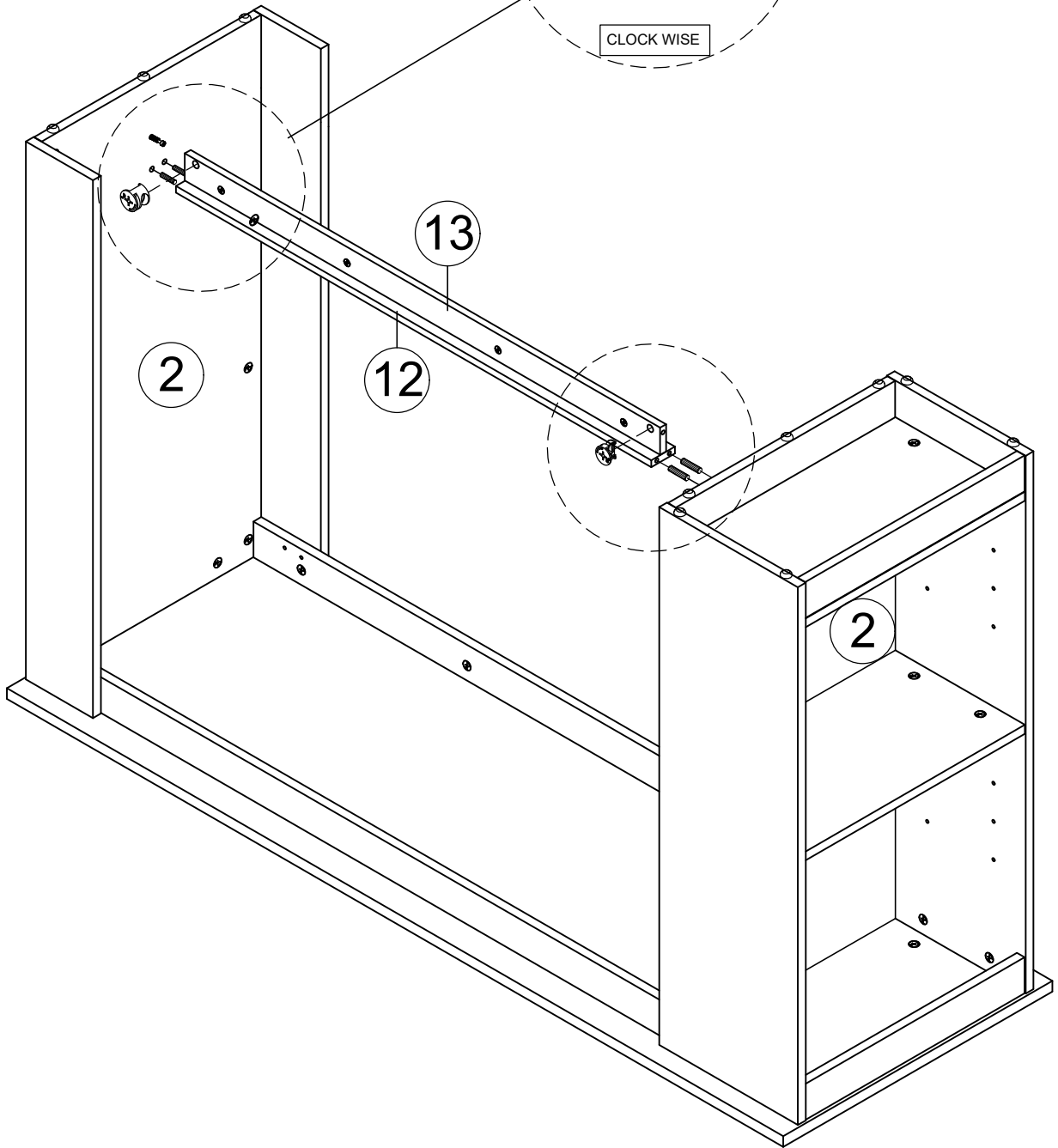
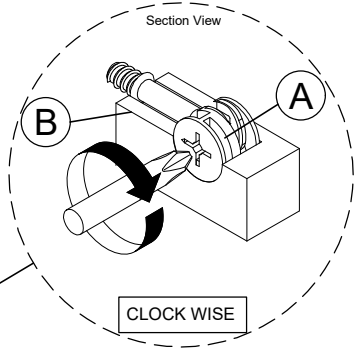
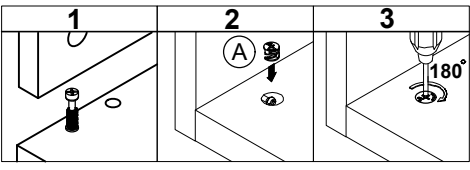


ASSEMBLY INSTRUCTION BAR TABLE

STEP
16

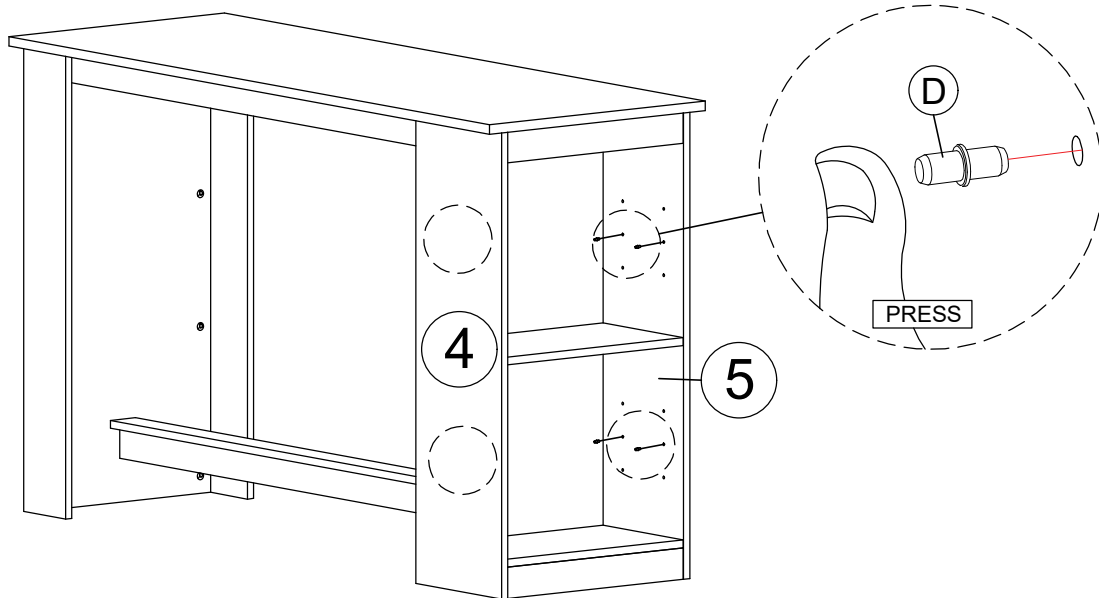
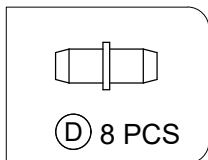
Ⓒ 4 PCS Ⓐ 2 PCS

 SCREWDRIVER
REQUIRED

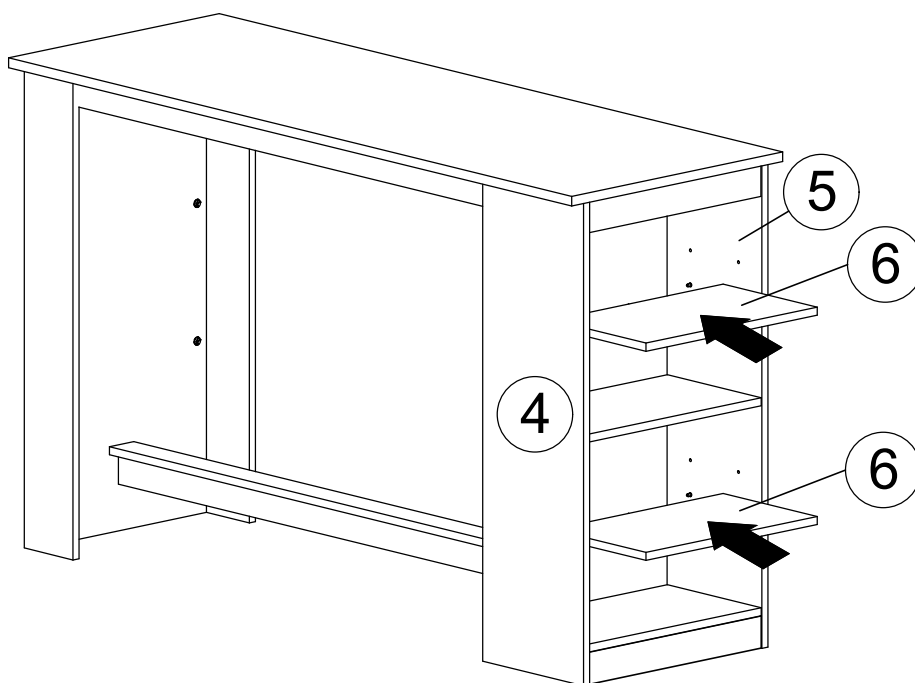
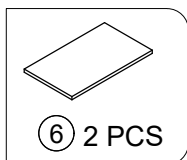


ASSEMBLY INSTRUCTION BAR TABLE

STEP
17

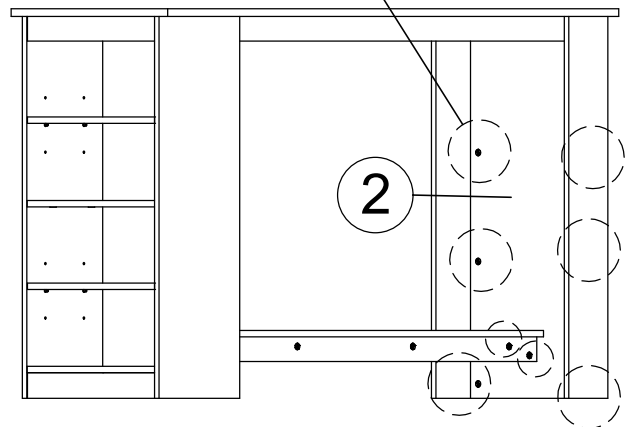
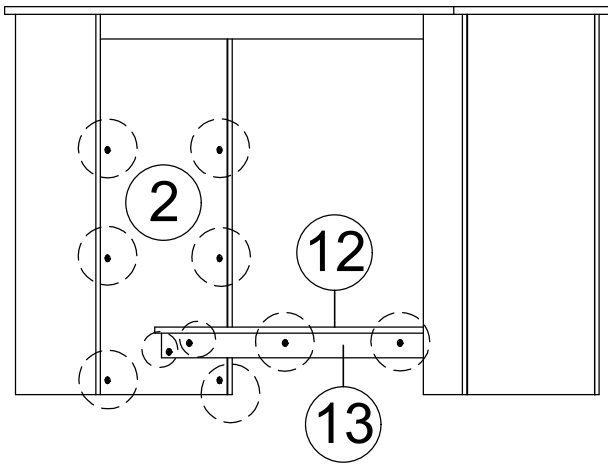
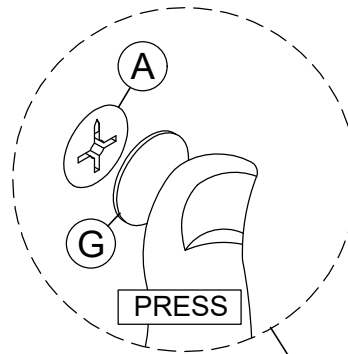
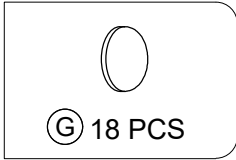


STEP
18

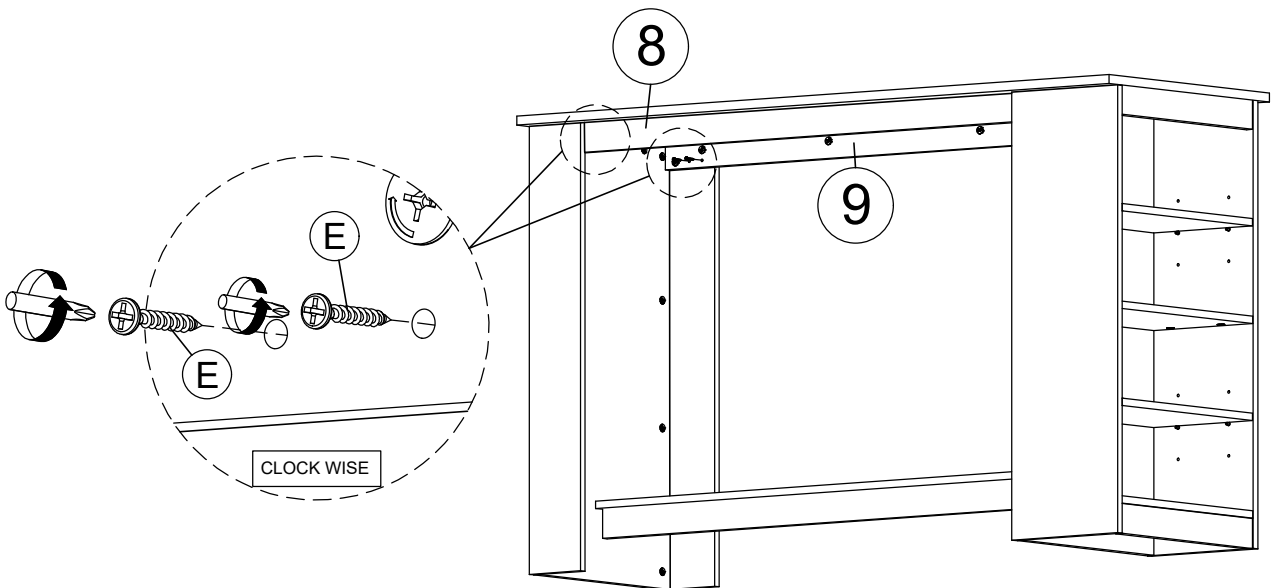


ASSEMBLY INSTRUCTION BAR TABLE

STEP
19



STEP
20



13