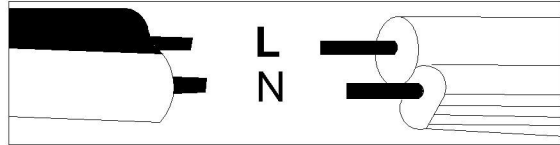


WIRE CONNECTION DIAGRAM

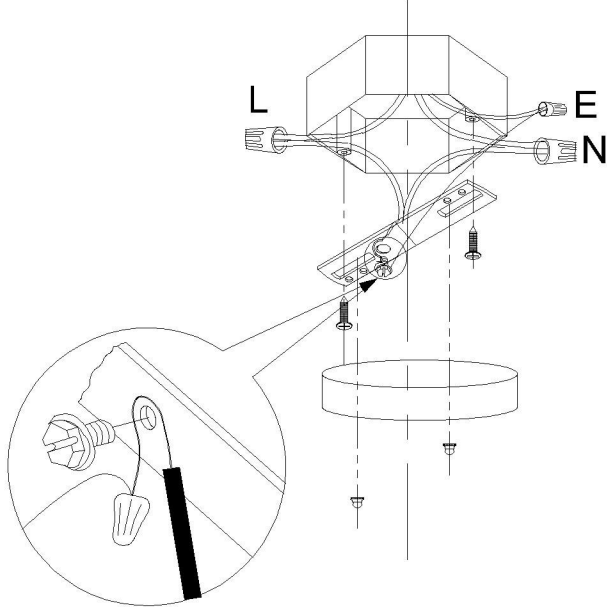
Wires met safety standards are recommended to connect the supply circuit.

CAUTION: Risk of fire

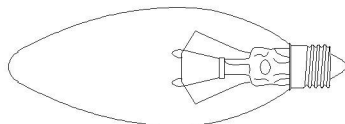


CANOPY INSTALLATION INSTRUCTIONS

Please read all instructions carefully. Before you proceed to install, make sure that the power supply is turned off and remains off until installation is complete.



Light Bulb (Not included)



E12

USER MANUAL

Dear Customer

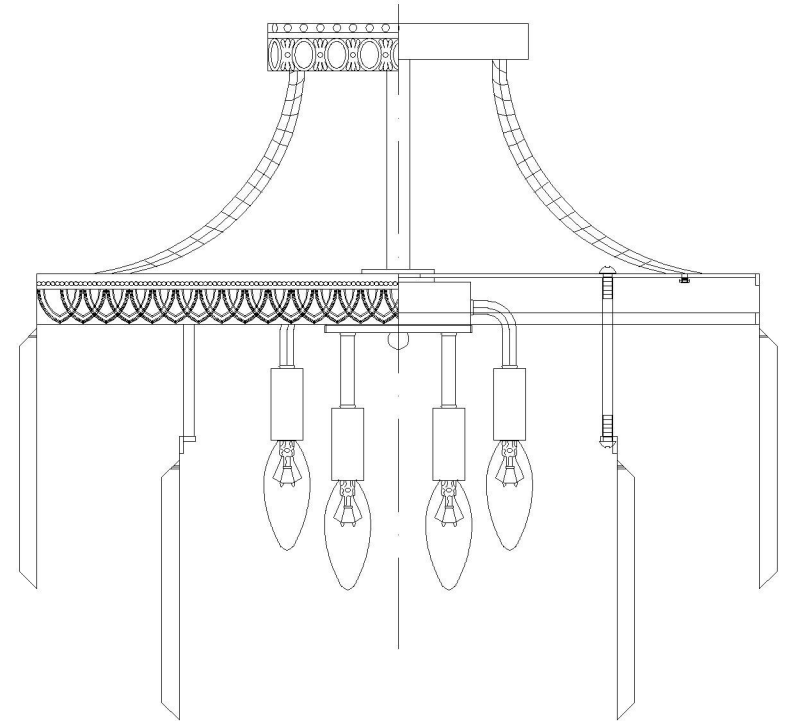
Thank you for your business!

If you have any question or problem, please text or call.

We want you to be completely satisfied with your purchase.

Product review means the world to us, if you want to share your experience you can leave a short product review.

Thank you



(Rated 110-130V/60Hz, bulb 40W-60W maximum.)

Assembly and Installation Steps

Step 6

1A. Lock the crossbar to the junction box of the ceiling by using 2 pcs of 5/32 screws in the accessories bag.
 1B. Connect the wires. The hot/positive (+) wire is the one which has writing on it. The negative (-) wire is the one which has no writing.

Step 2

put it down

Step 1

Locked together

Step 7

Hang the lamp to the ceiling by attaching the screws to the nuts.

Step 3

Lock it together with a nut

Step 4

Lock it together with a nut

Step 5

Lock it together with a nut

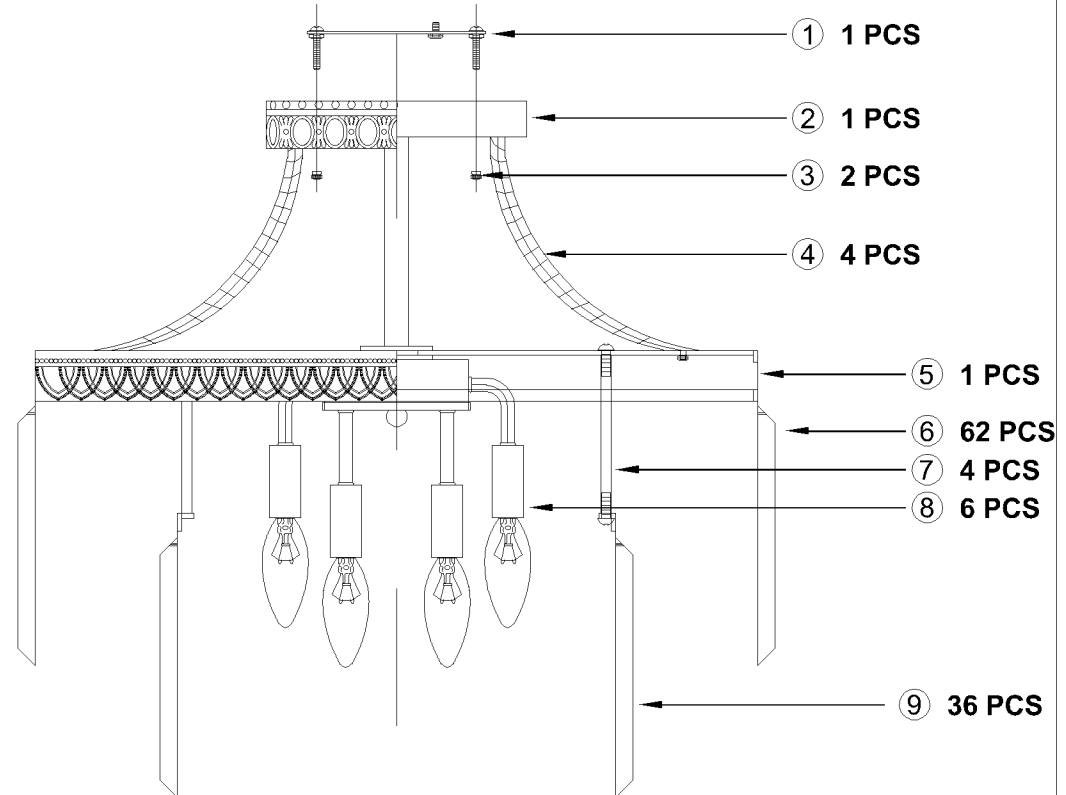
Step 8

Install 6 E12 bulbs (Not included).

Step 9

Hang the crystals from the metal ring Keyhole.

Please note: The parts in this table are completely unassembled, for illustrative purpose. In the actual product that you receive, some parts are assembled and attached together.



The steps of hanging crystals.

