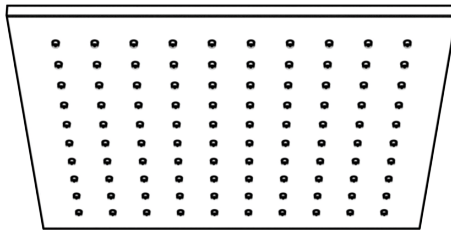


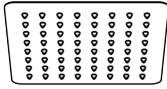
# CRANACH®

## INSTALLATION MANUAL

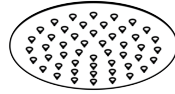
Rain Shower Head



C10.CR01 - C10.CR08 / C10.FA01 - C10.FA08



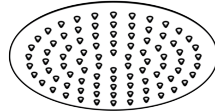
C10.CR01



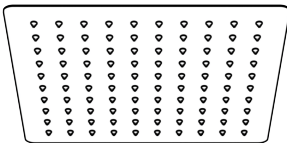
C10.CR05



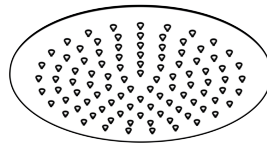
C10.CR02



C10.CR06



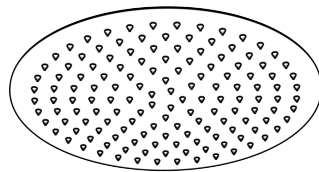
C10.CR03



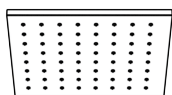
C10.CR07



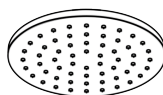
C10.CR04



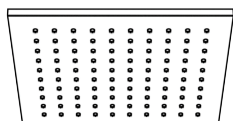
C10.CR08



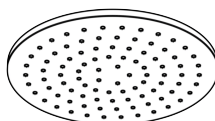
C10.FA01



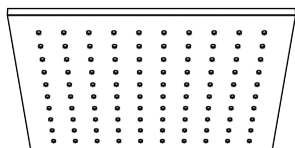
C10.FA05



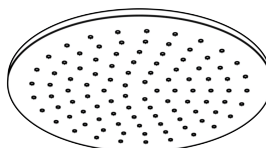
C10.FA02



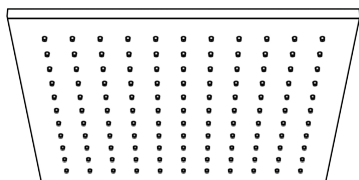
C10.FA06



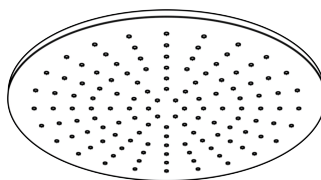
C10.FA03



C10.FA07



C10.FA04



C10.FA08

# ENGLISH

## SAFETY NOTES

- ⚠ WARNING: To prevent product failure, property damage, and personal injury, please follow these guidelines:
- ⚠ The shower is designed exclusively for bathing, personal hygiene, and body cleaning purposes.
- ⚠ The shower arm is intended solely to support the showerhead. Do not hang any additional items from the shower arm.
- ⚠ Regularly clean your CRANACH product as needed to prevent the buildup of mineral scale and/or soap residue.
- ⚠ Please refer to the Care And Cleaning when choosing a cleaning agent for this product. Avoid using cleaning products that contain chlorine bleach, lye, hydrochloric acid, formic acid, acetic acid, or abrasive materials.
- ⚠ FAILURE TO ADHERE TO THESE INSTRUCTIONS MAY LEAD TO PRODUCT DAMAGE, MALFUNCTION, AND VOIDING OF THE WARRANTY.

## INSTALLATION CONSIDERATIONS

CRANACH recommended that this unit be installed by a licensed professional plumber.

Before starting the installation, please read these instructions carefully and make sure you have all the required tools and materials on hand.

To avoid the risk of scalding, ensure that the maximum output temperature of the shower mixing valve does not exceed 120°F (49°C).

## TECHNICAL INFORMATION

Max. Flow Rate: 1.75 GPM @ 80 PSI

Applicable Models: C10.CR01/C10.CR02  
C10.CR03/C10.CR05  
C10.CR06/C10.CR07  
C10.FA01/C10.FA02  
C10.FA03/C10.FA05  
C10.FA06/C10.FA07

Max. Flow Rate: 1.75 / 2.5 GPM @ 80 PSI

Applicable Models: C10.CR04/C10.CR08  
C10.FA04/C10.FA08

Visit our Support Center for detailed product guides, warranty policies, and troubleshooting tips. Need instant assistance? Reach out via live chat or email us directly at [support@cranachhome.com](mailto:support@cranachhome.com). For your convenience, we've provided quick access through the following QR codes:

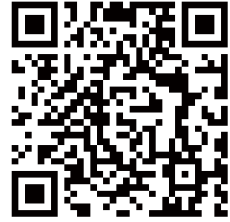
#### Warranty Services

Scan the QR code to quickly register your product warranty or access warranty-related information, ensuring peace of mind while using our products.

#### Installation Manual

Scan the QR code to access the installation manual for your product instantly. Download it to your device for convenient future reference and ensure a seamless setup process.

We're committed to providing you with prompt, efficient, and comprehensive support every step of the way!



[cranachhome.com/warranty/](https://cranachhome.com/warranty/)



[cranachhome.com/installation/](https://cranachhome.com/installation/)

## TOOLS REQUIRED



Safety Glasses



Teflon Tape

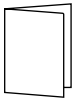


Utility Knife

# PARTS IN THE BOX

Read over these instructions thoroughly before beginning installation. Make sure that you have all tools and supplies needed to complete the installation.

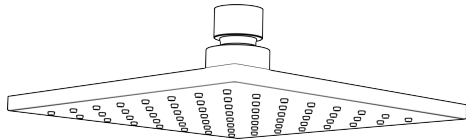
C10.CR01- C10.CR08 / C10.FA01- C10.FA08



Installation Manual

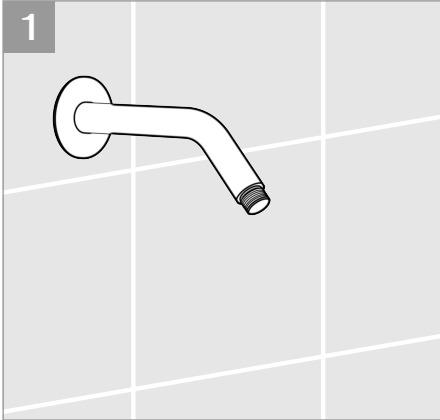


Warranty Card

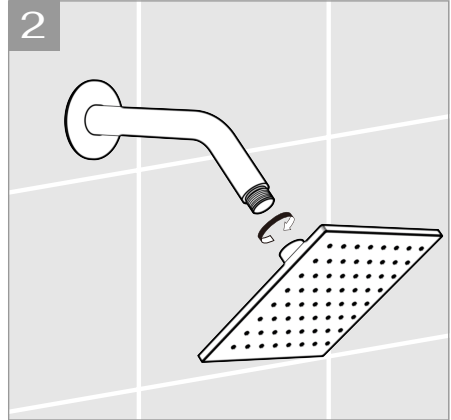


Shower Head

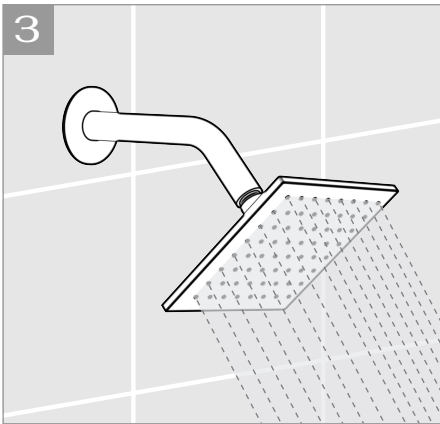
# INSTALLATION



Remove the existing showerhead, if applicable.



Screw the showerhead onto the shower arm.  
Do not overtighten shower head.



Turn on the water supply and inspect for any leaks.

# CRANACH®

## INSTALLATION MANUAL

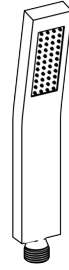
Handshower



C90.HS01- C90.HS03  
C90.HS11- C90.HS12 / C90.HS21- C90.HS22



C90.HS01



C90.HS02



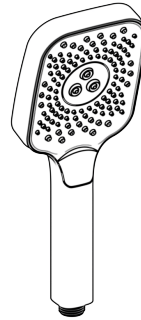
C90.HS03



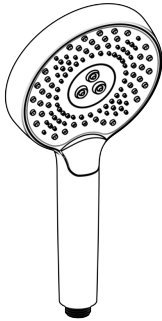
C90.HS11



C90.HS12



C90.HS21



C90.HS22

# ENGLISH

## SAFETY NOTES

- ⚠ WARNING: To prevent product failure, property damage, and personal injury, please follow these guidelines:
- ⚠ The shower is designed exclusively for bathing, personal hygiene, and body cleaning purposes.
- ⚠ The shower arm is intended solely to support the showerhead. Do not hang any additional items from the shower arm.
- ⚠ Regularly clean your CRANACH product as needed to prevent the buildup of mineral scale and/or soap residue.
- ⚠ Please refer to the Care And Cleaning when choosing a cleaning agent for this product. Avoid using cleaning products that contain chlorine bleach, lye, hydrochloric acid, formic acid, acetic acid, or abrasive materials.
- ⚠ FAILURE TO ADHERE TO THESE INSTRUCTIONS MAY LEAD TO PRODUCT DAMAGE, MALFUNCTION, AND VOIDING OF THE WARRANTY.

## INSTALLATION CONSIDERATIONS

CRANACH recommended that this unit be installed by a licensed professional plumber.

Before starting the installation, please read these instructions carefully and make sure you have all the required tools and materials on hand.

To avoid the risk of scalding, ensure that the maximum output temperature of the shower mixing valve does not exceed 120°F (49°C).

## TECHNICAL INFORMATION

Max. Flow Rate: 1.75 / 2.5 GPM @ 80 PSI

Visit our Support Center for detailed product guides, warranty policies, and troubleshooting tips. Need instant assistance? Reach out via live chat or email us directly at [support@cranachhome.com](mailto:support@cranachhome.com). For your convenience, we've provided quick access through the following QR codes:

#### Warranty Services

Scan the QR code to quickly register your product warranty or access warranty-related information, ensuring peace of mind while using our products.

#### Installation Manual

Scan the QR code to access the installation manual for your product instantly. Download it to your device for convenient future reference and ensure a seamless setup process.

We're committed to providing you with prompt, efficient, and comprehensive support every step of the way!



[cranachhome.com/warranty/](https://cranachhome.com/warranty/)



[cranachhome.com/installation/](https://cranachhome.com/installation/)

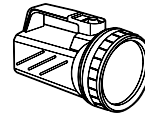
## TOOLS REQUIRED



Safety Glasses



Teflon Tape



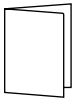
Flashlight

# PARTS IN THE BOX

Read over these instructions thoroughly before beginning installation. Make sure that you have all tools and supplies needed to complete the installation.

C90.HS01- C90.HS03

C90.HS11- C90.HS12 / C90.HS21- C90.HS22



Installation Manual

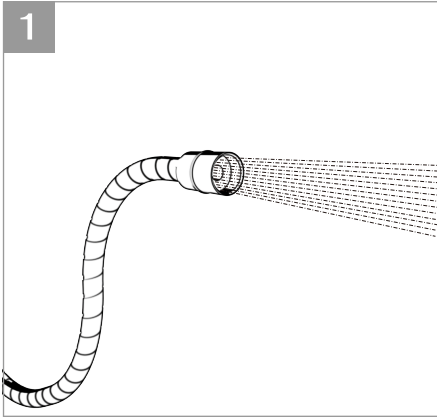


Warranty Card

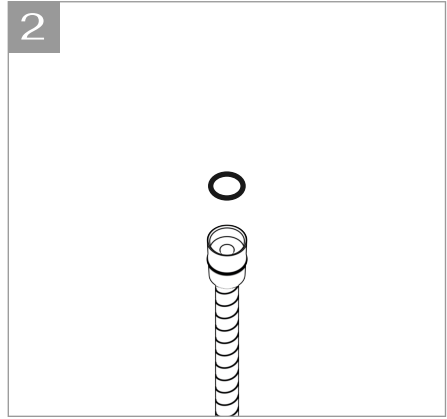


Hand Shower

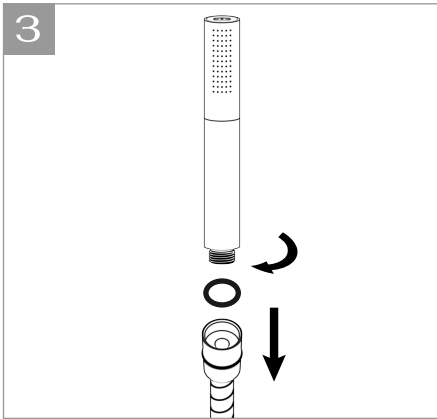
# INSTALLATION



1  
Flush the hose before installation.



2  
Clean and reuse the seal if applicable.

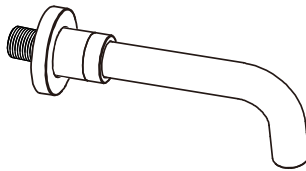


3  
Tighten the hand shower onto the hose.

# CRANACH®

## INSTALLATION MANUAL

Tub Faucet



C40.R101

# ENGLISH

## SAFETY NOTES

- ⚠ WARNING: To prevent product failure, property damage, and personal injury, please follow these guidelines:
- ⚠ The shower is designed exclusively for bathing, personal hygiene, and body cleaning purposes.
- ⚠ The shower arm is intended solely to support the showerhead. Do not hang any additional items from the shower arm.
- ⚠ Regularly clean your CRANACH product as needed to prevent the buildup of mineral scale and/or soap residue.
- ⚠ Please refer to the Care And Cleaning when choosing a cleaning agent for this product. Avoid using cleaning products that contain chlorine bleach, lye, hydrochloric acid, formic acid, acetic acid, or abrasive materials.
- ⚠ FAILURE TO ADHERE TO THESE INSTRUCTIONS MAY LEAD TO PRODUCT DAMAGE, MALFUNCTION, AND VOIDING OF THE WARRANTY.

## INSTALLATION CONSIDERATIONS

CRANACH recommended that this unit be installed by a licensed professional plumber.

Before starting the installation, please read these instructions carefully and make sure you have all the required tools and materials on hand.

To avoid the risk of scalding, ensure that the maximum output temperature of the shower mixing valve does not exceed 120°F (49°C).

## TECHNICAL INFORMATION

Max. Flow Rate: 1.75 / 2.5 GPM @ 80 PSI

Visit our Support Center for detailed product guides, warranty policies, and troubleshooting tips. Need instant assistance? Reach out via live chat or email us directly at [support@cranachhome.com](mailto:support@cranachhome.com). For your convenience, we've provided quick access through the following QR codes:

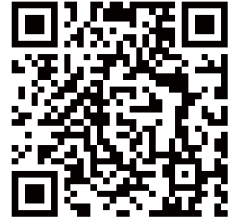
#### Warranty Services

Scan the QR code to quickly register your product warranty or access warranty-related information, ensuring peace of mind while using our products.

#### Installation Manual

Scan the QR code to access the installation manual for your product instantly. Download it to your device for convenient future reference and ensure a seamless setup process.

We're committed to providing you with prompt, efficient, and comprehensive support every step of the way!



[cranachhome.com/warranty/](https://cranachhome.com/warranty/)



[cranachhome.com/installation/](https://cranachhome.com/installation/)

## TOOLS REQUIRED



Safety Glasses



Teflon Tape



Screwdriver



Torch



Adjustable Wrench

# PARTS IN THE BOX

Read over these instructions thoroughly before beginning installation. Make sure that you have all tools and supplies needed to complete the installation.

C40.R101



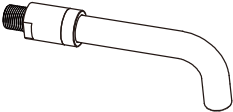
Installation Manual



Warranty Card

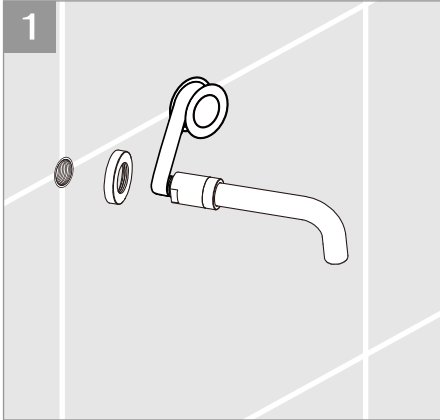


Tub Spout Flange

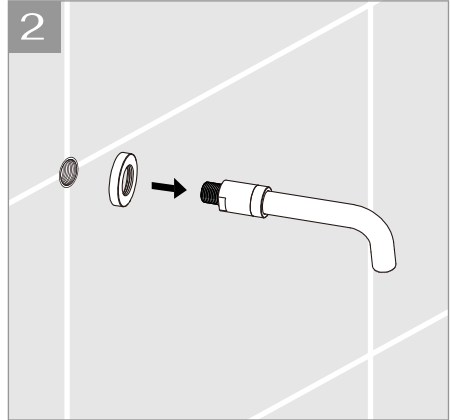


Tub Spout

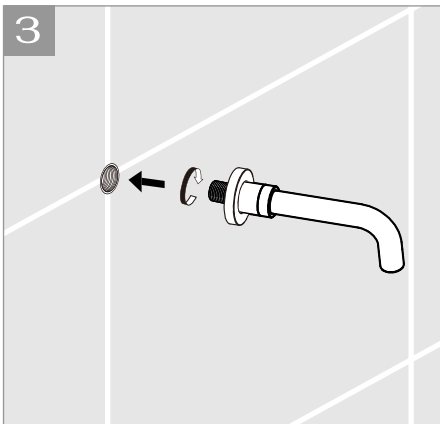
# INSTALLATION



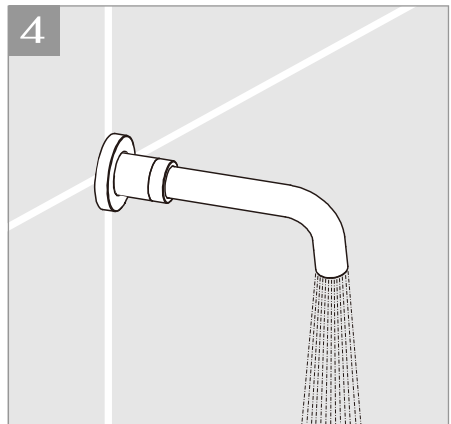
1  
Wrap teflon tape around the threads of the tub spout.



2  
Place the flange onto the tub spout threads.



3  
Secure the tub spout onto the wall.

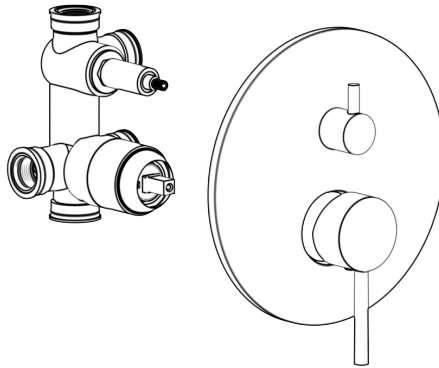


4  
Turn on the water to clear out any debris.

# CRANACH®

## INSTALLATION MANUAL

Three Function Pressure Balancing  
Valve And Trim



C66.PB23

# ENGLISH

## SAFETY NOTES

- ⚠ WARNING: To prevent product failure, property damage, and personal injury, please follow these guidelines:
- ⚠ The shower is designed exclusively for bathing, personal hygiene, and body cleaning purposes.
- ⚠ The shower arm is intended solely to support the showerhead. Do not hang any additional items from the shower arm.
- ⚠ Regularly clean your CRANACH product as needed to prevent the buildup of mineral scale and/or soap residue.
- ⚠ Please refer to the Care And Cleaning when choosing a cleaning agent for this product. Avoid using cleaning products that contain chlorine bleach, lye, hydrochloric acid, formic acid, acetic acid, or abrasive materials.
- ⚠ FAILURE TO ADHERE TO THESE INSTRUCTIONS MAY LEAD TO PRODUCT DAMAGE, MALFUNCTION, AND VOIDING OF THE WARRANTY.

## INSTALLATION CONSIDERATIONS

CRANACH recommended that this unit be installed by a licensed professional plumber.

Before starting the installation, please read these instructions carefully and make sure you have all the required tools and materials on hand.

To avoid the risk of scalding, ensure that the maximum output temperature of the shower mixing valve does not exceed 120°F (49°C).

## TECHNICAL INFORMATION

Max. Flow Rate: 6.9 GPM @ 80 PSI

Visit our Support Center for detailed product guides, warranty policies, and troubleshooting tips. Need instant assistance? Reach out via live chat or email us directly at [support@cranachhome.com](mailto:support@cranachhome.com). For your convenience, we've provided quick access through the following QR codes:

#### Warranty Services

Scan the QR code to quickly register your product warranty or access warranty-related information, ensuring peace of mind while using our products.

#### Installation Manual

Scan the QR code to access the installation manual for your product instantly. Download it to your device for convenient future reference and ensure a seamless setup process.

We're committed to providing you with prompt, efficient, and comprehensive support every step of the way!



[cranachhome.com/warranty/](https://cranachhome.com/warranty/)



[cranachhome.com/installation/](https://cranachhome.com/installation/)

## TOOLS REQUIRED



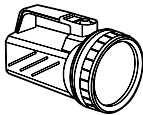
Safety Glasses



Teflon Tape



Allen Key



Flashlight



Screwdriver



Adjustable Wrench



Utility Knife



Torch

# PARTS IN THE BOX

Read over these instructions thoroughly before beginning installation. Make sure that you have all tools and supplies needed to complete the installation.

C66.PB23



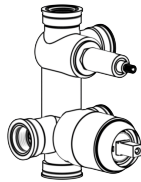
Installation Manual



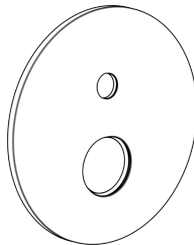
Warranty Card



Spare Parts



Rough-in Valve



Escutcheon



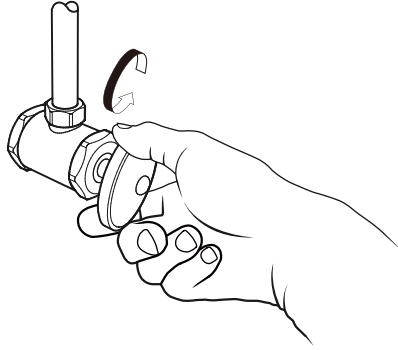
Diverter Knob



Lever Handle

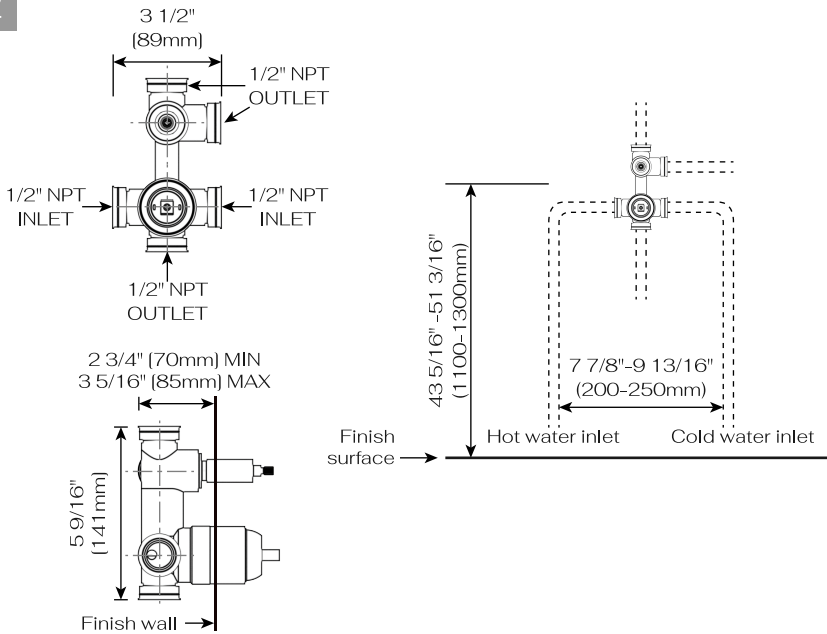
# INSTALLATION

1



Turn off water supply.

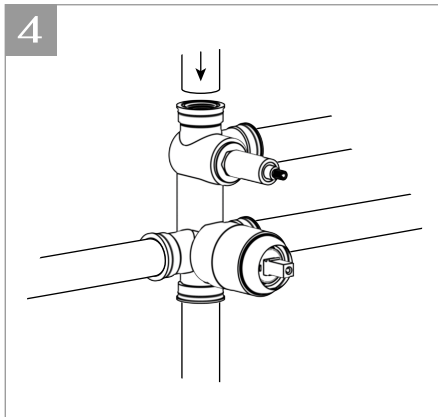
2



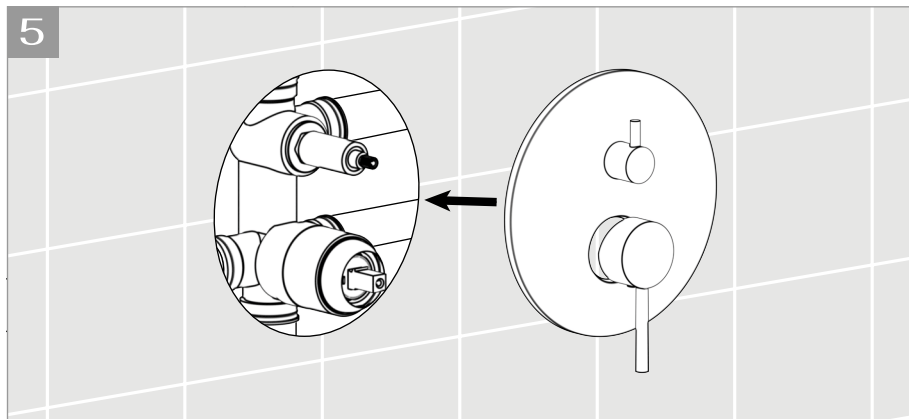
Position according to the recommended dimensions.



Secure the rough-in valve to the wooden framework with screws. Ensure the "UP" side of the rough-in valve is marked and installed correctly.



Connect the water pipe to the rough-in valve.

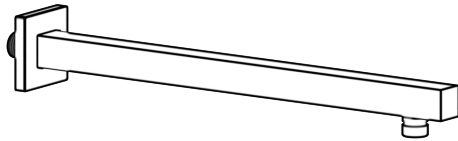


Align the escutcheon with the rough-in valve and securely install the handle and knob.

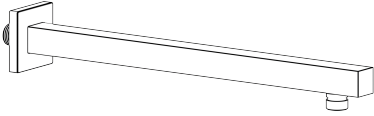
# CRANACH®

## INSTALLATION MANUAL

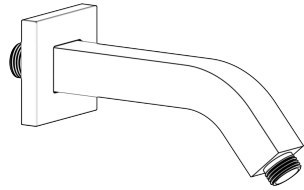
Shower Arm



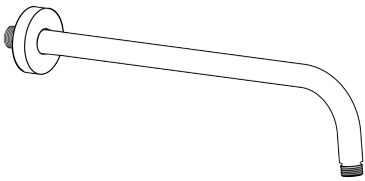
C90.SA02/C90.SA03/C90.SA12/C90.SA13



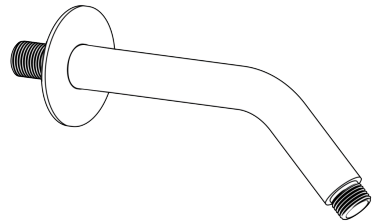
C90.SA02



C90.SA03



C90.SA12



C90.SA13

# ENGLISH

## SAFETY NOTES

- ⚠ WARNING: To prevent product failure, property damage, and personal injury, please follow these guidelines:
- ⚠ The shower is designed exclusively for bathing, personal hygiene, and body cleaning purposes.
- ⚠ The shower arm is intended solely to support the showerhead. Do not hang any additional items from the shower arm.
- ⚠ Regularly clean your CRANACH product as needed to prevent the buildup of mineral scale and/or soap residue.
- ⚠ Please refer to the Care And Cleaning when choosing a cleaning agent for this product. Avoid using cleaning products that contain chlorine bleach, lye, hydrochloric acid, formic acid, acetic acid, or abrasive materials.
- ⚠ FAILURE TO ADHERE TO THESE INSTRUCTIONS MAY LEAD TO PRODUCT DAMAGE, MALFUNCTION, AND VOIDING OF THE WARRANTY.

## INSTALLATION CONSIDERATIONS

CRANACH recommended that this unit be installed by a licensed professional plumber.

Before starting the installation, please read these instructions carefully and make sure you have all the required tools and materials on hand.

To avoid the risk of scalding, ensure that the maximum output temperature of the shower mixing valve does not exceed 120°F (49°C).

Visit our Support Center for detailed product guides, warranty policies, and troubleshooting tips. Need instant assistance? Reach out via live chat or email us directly at [support@cranachhome.com](mailto:support@cranachhome.com). For your convenience, we've provided quick access through the following QR codes:

#### Warranty Services

Scan the QR code to quickly register your product warranty or access warranty-related information, ensuring peace of mind while using our products.

#### Installation Manual

Scan the QR code to access the installation manual for your product instantly. Download it to your device for convenient future reference and ensure a seamless setup process.

We're committed to providing you with prompt, efficient, and comprehensive support every step of the way!



[cranachhome.com/warranty/](https://cranachhome.com/warranty/)



[cranachhome.com/installation/](https://cranachhome.com/installation/)

## TOOLS REQUIRED



Safety Glasses



Teflon Tape

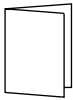


Utility Knife

# PARTS IN THE BOX

Read over these instructions thoroughly before beginning installation. Make sure that you have all tools and supplies needed to complete the installation.

C90.SA02/C90.SA03/C90.SA12/C90.SA13



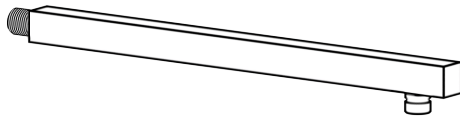
Installation Manual



Warranty Card

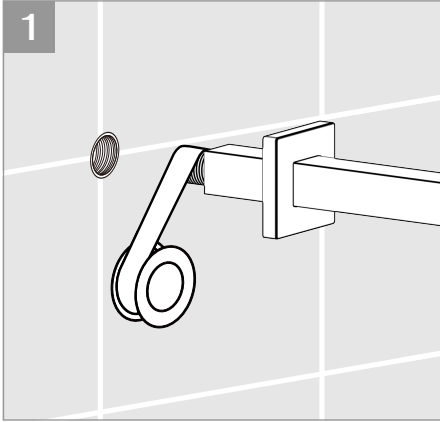


Flange

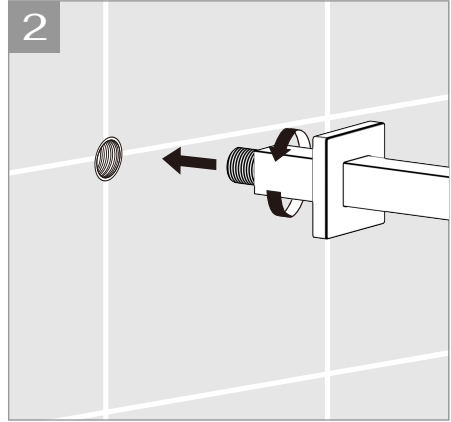


Shower Arm

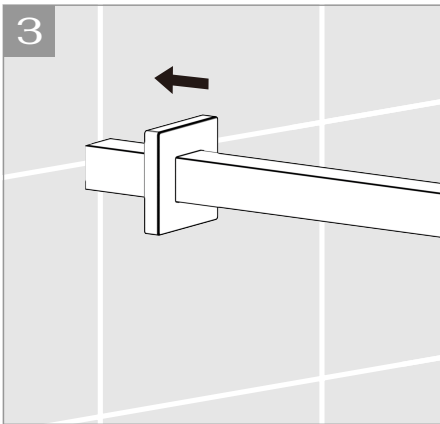
# INSTALLATION



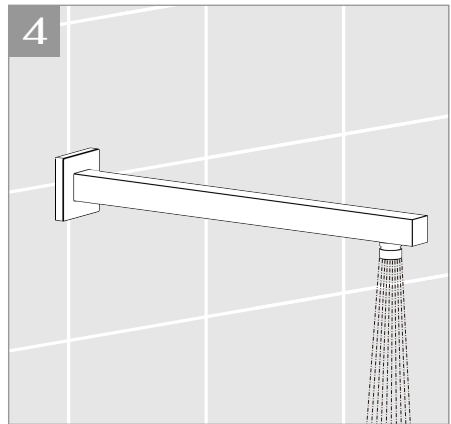
1  
Wrap teflon tape around the threads of the shower arm.



2  
Use a strap wrench to attach the shower arm.



3  
Secure the escutcheon in place.

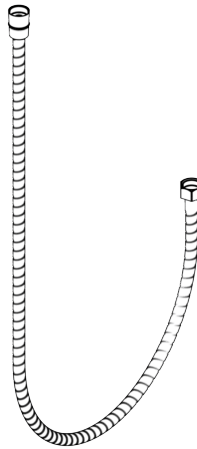


4  
Turn on the water to clear out any debris.

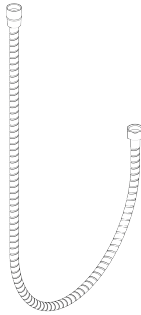
# CRANACH®

## INSTALLATION MANUAL

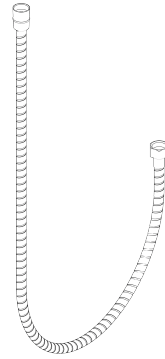
Shower Hose



C90.SH01/C90.SH02/C90.SH11/C90.SH12



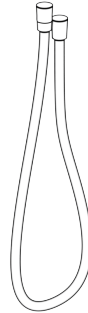
C90.SH01



C90.SH02



C90.SH11



C90.SH12

# ENGLISH

## SAFETY NOTES

- ⚠ WARNING: To prevent product failure, property damage, and personal injury, please follow these guidelines:
- ⚠ The shower is designed exclusively for bathing, personal hygiene, and body cleaning purposes.
- ⚠ The shower arm is intended solely to support the showerhead. Do not hang any additional items from the shower arm.
- ⚠ Regularly clean your CRANACH product as needed to prevent the buildup of mineral scale and/or soap residue.
- ⚠ Please refer to the Care And Cleaning when choosing a cleaning agent for this product. Avoid using cleaning products that contain chlorine bleach, lye, hydrochloric acid, formic acid, acetic acid, or abrasive materials.
- ⚠ FAILURE TO ADHERE TO THESE INSTRUCTIONS MAY LEAD TO PRODUCT DAMAGE, MALFUNCTION, AND VOIDING OF THE WARRANTY.

## INSTALLATION CONSIDERATIONS

CRANACH recommended that this unit be installed by a licensed professional plumber.

Before starting the installation, please read these instructions carefully and make sure you have all the required tools and materials on hand.

To avoid the risk of scalding, ensure that the maximum output temperature of the shower mixing valve does not exceed 120°F (49°C).

Visit our Support Center for detailed product guides, warranty policies, and troubleshooting tips. Need instant assistance? Reach out via live chat or email us directly at [support@cranachhome.com](mailto:support@cranachhome.com). For your convenience, we've provided quick access through the following QR codes:

#### Warranty Services

Scan the QR code to quickly register your product warranty or access warranty-related information, ensuring peace of mind while using our products.

#### Installation Manual

Scan the QR code to access the installation manual for your product instantly. Download it to your device for convenient future reference and ensure a seamless setup process.

We're committed to providing you with prompt, efficient, and comprehensive support every step of the way!



[cranachhome.com/warranty/](https://cranachhome.com/warranty/)



[cranachhome.com/installation/](https://cranachhome.com/installation/)

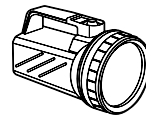
## TOOLS REQUIRED



Safety Glasses



Teflon Tape



Flashlight

# PARTS IN THE BOX

Read over these instructions thoroughly before beginning installation. Make sure that you have all tools and supplies needed to complete the installation.

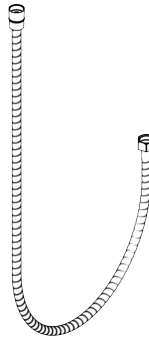
C90.SH01/C90.SH02/C90.SH1 1/C90.SH12



Installation Manual

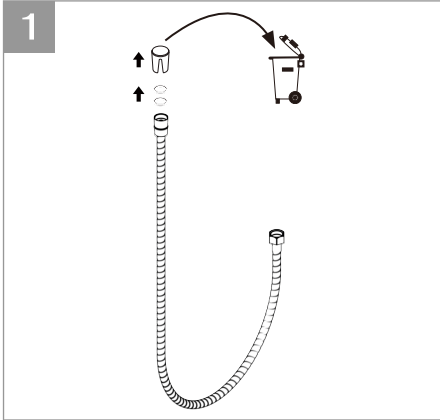


Warranty Card

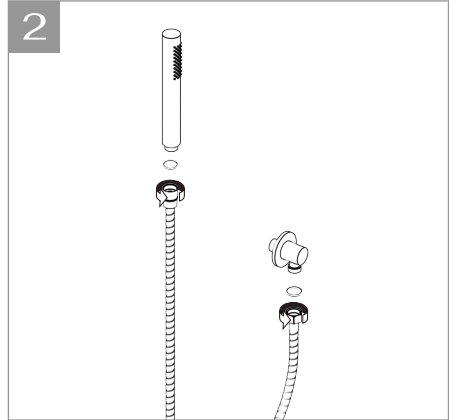


Hose

# INSTALLATION



Remove the plastic protective caps from both ends of the hose and dispose of them properly.

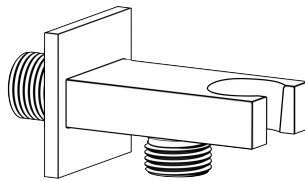


Securely connect the new hose, ensuring the O-rings are correctly positioned, and attach it to the hand shower or fixture tightly.

# CRANACH®

## INSTALLATION MANUAL

Shower Hook



C90.HH02

# ENGLISH

## SAFETY NOTES

- ⚠ WARNING: To prevent product failure, property damage, and personal injury, please follow these guidelines:
- ⚠ The shower is designed exclusively for bathing, personal hygiene, and body cleaning purposes.
- ⚠ The shower arm is intended solely to support the showerhead. Do not hang any additional items from the shower arm.
- ⚠ Regularly clean your CRANACH product as needed to prevent the buildup of mineral scale and/or soap residue.
- ⚠ Please refer to the Care And Cleaning when choosing a cleaning agent for this product. Avoid using cleaning products that contain chlorine bleach, lye, hydrochloric acid, formic acid, acetic acid, or abrasive materials.
- ⚠ FAILURE TO ADHERE TO THESE INSTRUCTIONS MAY LEAD TO PRODUCT DAMAGE, MALFUNCTION, AND VOIDING OF THE WARRANTY.

## INSTALLATION CONSIDERATIONS

CRANACH recommended that this unit be installed by a licensed professional plumber.

Before starting the installation, please read these instructions carefully and make sure you have all the required tools and materials on hand.

To avoid the risk of scalding, ensure that the maximum output temperature of the shower mixing valve does not exceed 120°F (49°C).

Keep this booklet and the receipt (or other proof of date and place of purchase) for this product in a safe place. The receipt is required should it be necessary to request warranty parts.

Visit our Support Center for detailed product guides, warranty policies, and troubleshooting tips. Need instant assistance? Reach out via live chat or email us directly at [support@cranachhome.com](mailto:support@cranachhome.com). For your convenience, we've provided quick access through the following QR codes:

#### Warranty Services

Scan the QR code to quickly register your product warranty or access warranty-related information, ensuring peace of mind while using our products.

#### Installation Manual

Scan the QR code to access the installation manual for your product instantly. Download it to your device for convenient future reference and ensure a seamless setup process.

We're committed to providing you with prompt, efficient, and comprehensive support every step of the way!



[cranachhome.com/warranty/](https://cranachhome.com/warranty/)



[cranachhome.com/installation/](https://cranachhome.com/installation/)

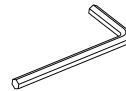
## TOOLS REQUIRED



Safety Glasses



Teflon Tape



Allen Key

# PARTS IN THE BOX

Read over these instructions thoroughly before beginning installation. Make sure that you have all tools and supplies needed to complete the installation.

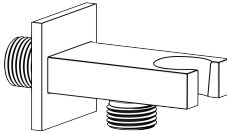
C90.HH02



Installation Manual

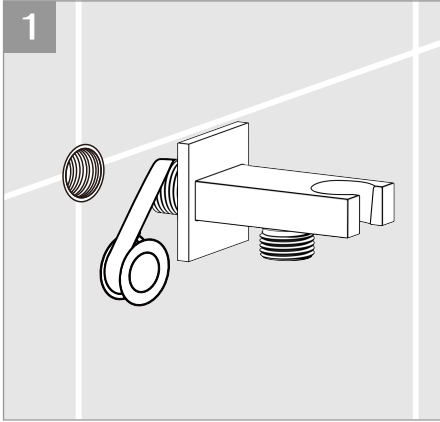


Warranty Card

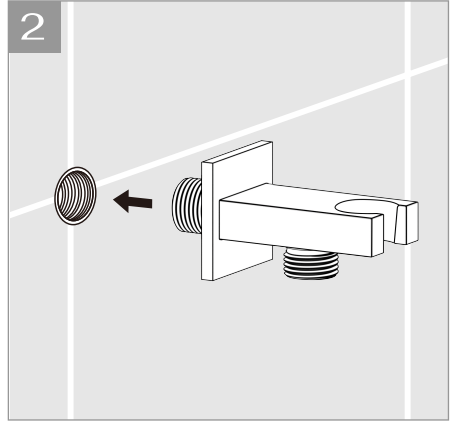


Handshower Holder

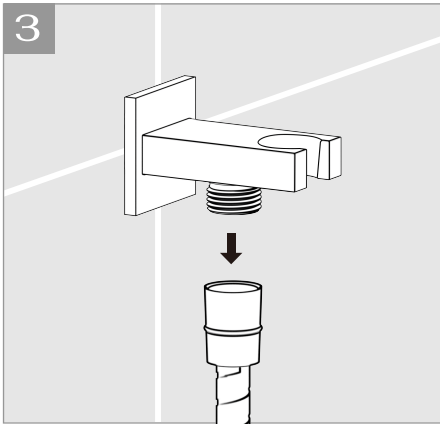
# INSTALLATION



Wrap an appropriate amount of PTFE tape around the thread.



Screw the main body into the thread.



Rotate and tighten the body until there are no leaks.

## WARRANTY

### Parts and Finish:

All parts (excluding electronic parts and batteries) and finishes of CRANACH products purchased from authorized CRANACH sellers are warranted to the original consumer purchaser to be free from defects in material and workmanship for as long as the original consumer purchaser owns the home in which the faucet(s) are installed.

For commercial purchasers or multi-family residential properties (such as apartments and condominiums), the warranty period is 10 years from the date the product is received by the original purchaser or their authorized representative (e.g., installation contractor).

### Electronic Parts:

Electronic parts (excluding batteries), if applicable, that are part of CRANACH products purchased from [cranachhome.com](http://cranachhome.com) or authorized CRANACH sellers are warranted to the original consumer purchaser to be free from defects in material and workmanship for 5 years from the date the product is received for residential use, 1 year for commercial purchasers. Batteries are not covered under this warranty.

### What We Will Do:

If a defect is found during the applicable warranty period, CRANACH will provide replacement parts free of charge. This includes any part or finish that proves defective in material or workmanship under normal installation, use, and service. Before returning your faucet to CRANACH, please visit our website or contact our customer service team (via phone or email) for troubleshooting assistance.

### Exclusions & Limitations:

This warranty does not cover damage caused by abuse, misuse, or improper care, lack of maintenance or improper installation, freezing water or excessive water pressure, abrasive cleaning products, or use in violation of applicable codes or regulations. Labor charges incurred during installation, repair, or replacement, damage incurred during installation or removal, or incidental or consequential damages, are excluded.

## CARE AND CLEANING

Gently clean the product with clear water and wipe dry using a soft, lint-free cloth. Do not use soaps, acid, polish, abrasives or rough materials that may damage the surface.

# CRANACH®

7933 Ley Rd Houston, TX, 77028

24hours Hotline:

+ (1) 888-263-8999

Email:

[info@cranachhome.com](mailto:info@cranachhome.com)

CR\_INSTALLATION\_V1.0\_202501