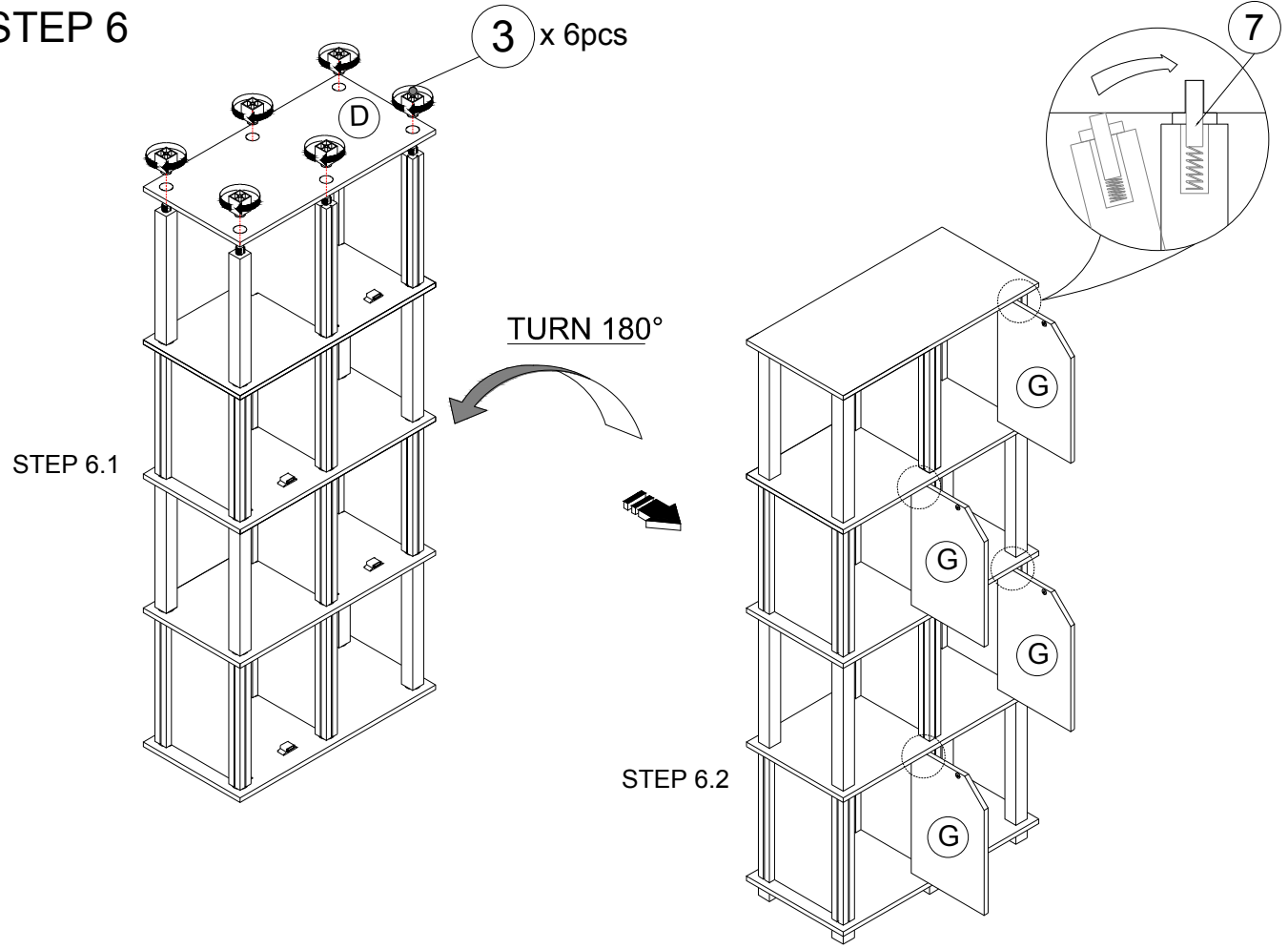


STEP 6



Assembly Instruction

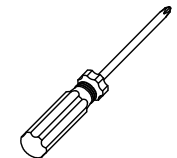
5-Tier Storage Shelf With 4 Doors

00:30

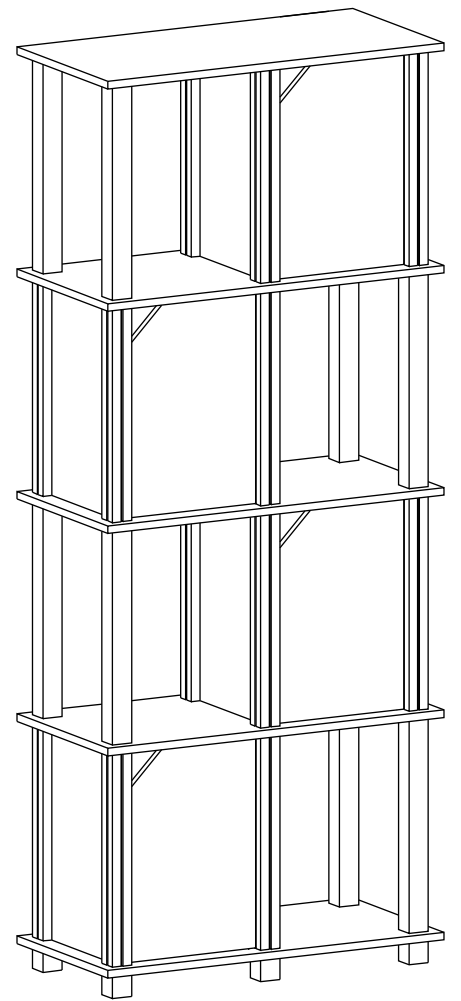
Approx. 30 minutes



Recomm. 2 Persons



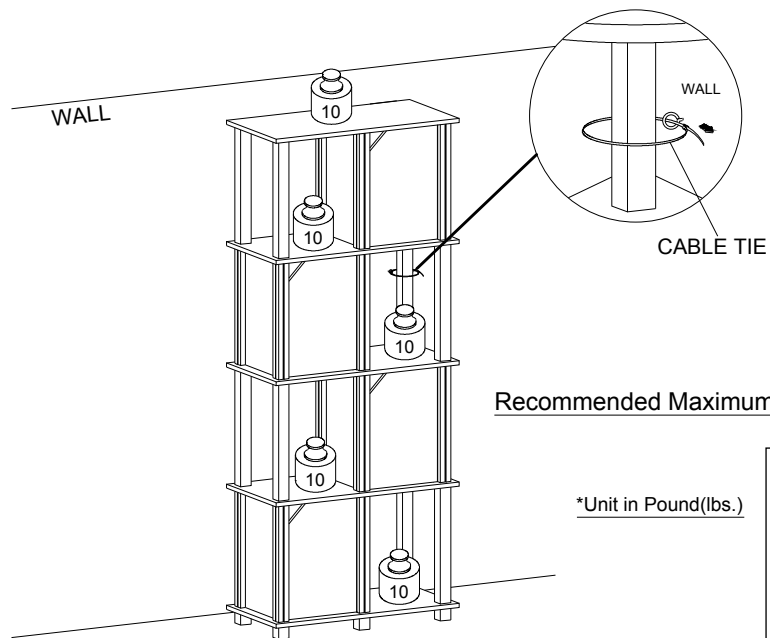
Tools Required



STEP 7

PLEASE FOLLOW BELOW INSTRUCTION TO PREVENT PRODUCT TIP OVER.

HARDWARE LIST			QTY
			1 SET

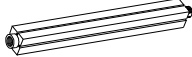
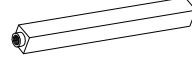








Recommended Maximum Weight

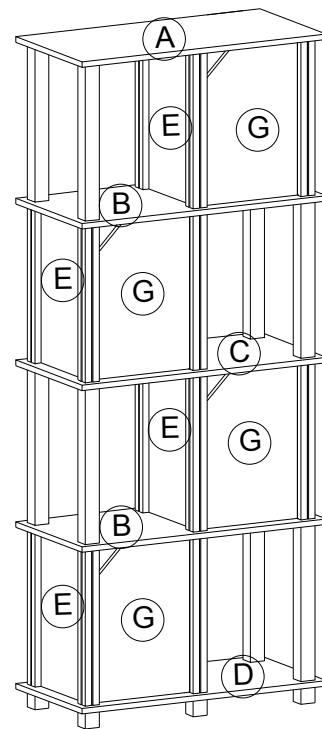
*Unit in Pound(lbs.)

WARNING:
 >This unit has been designed to support the maximum loads shown. Exceeding these load limits could cause sagging, instability, product collapse, and/or serious injury.
 >DO NOT allow children to climb on unit.
 > Put heavier items on lower shelves.

HARDWARE & PARTS LIST

NO	HARDWARE LIST	QTY
1	SQ LONG POLE WITH GROOVE 	16pcs
2	SQ LONG POLE 	8pcs
3	SQ LEG 	6pcs
4	ROUND RING 	18pcs
5	MAGNET 	4pcs
6	FLAT SCREW 	4pcs
7	DOOR SPRING SUPPORT 	8pcs
8	WALL MOUNTING SET 	1 set

NO	PARTS LIST	QTY
A	TOP PANEL	1pc
B	2ND & 4TH SHELF PANEL	2pcs
C	3RD SHELF PANEL	1pc
D	BOTTOM PANEL	1pc
E	SIDE PANEL	8pcs
F	BACK PANEL	4pcs
G	DOOR PANEL	4pcs



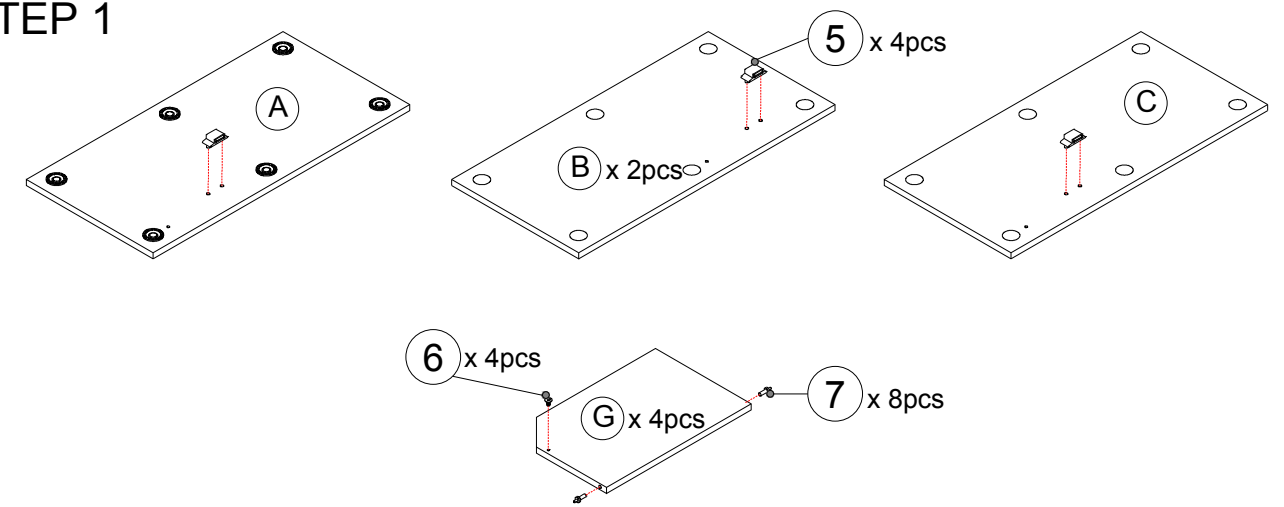
USEFUL HINTS BEFORE YOU START:

1. Read each step carefully before starting.
2. It is important that each step is performed in correct order to avoid difficulties.
3. Identify, sort and count the parts before assembly.
4. Assemble your furniture on packaging cardboard to prevent scratch or damage.
5. Clean the product with mild cleanser using soft damped cloth. Do not use harsh or abrasive cleanser.
6. Using incompatible hardware might cause damage to product.

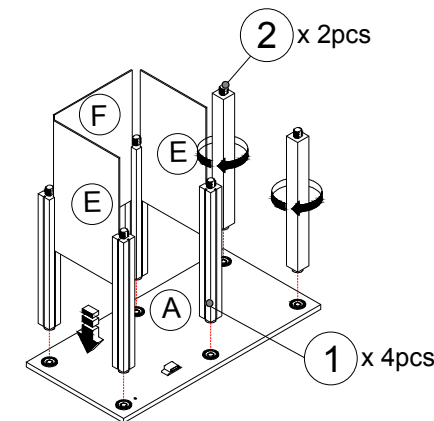
ASSEMBLY INSTRUCTIONS

BEFORE YOU BEGIN, PLEASE READ ASSEMBLY INSTRUCTION CAREFULLY, FOLLOW THEM STEP BY STEP.

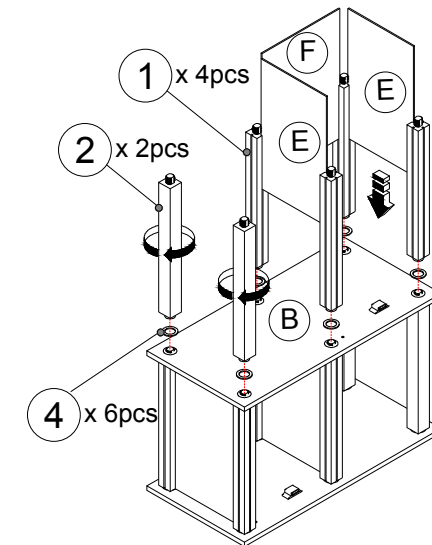
STEP 1



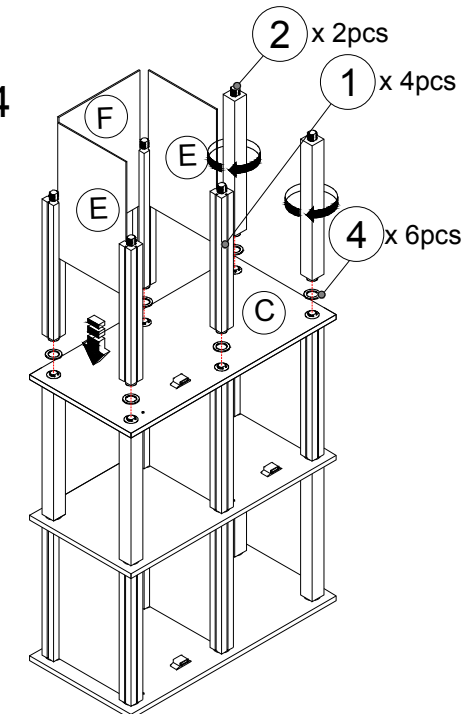
STEP 2



STEP 3



STEP 4



STEP 5

