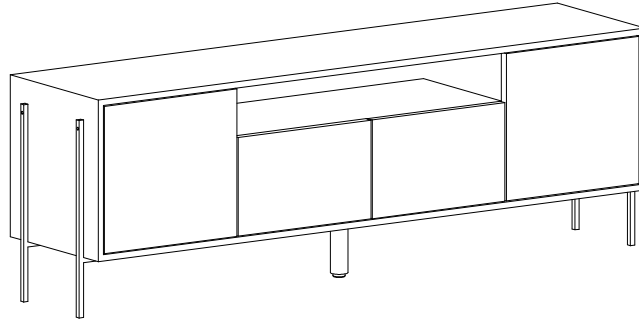
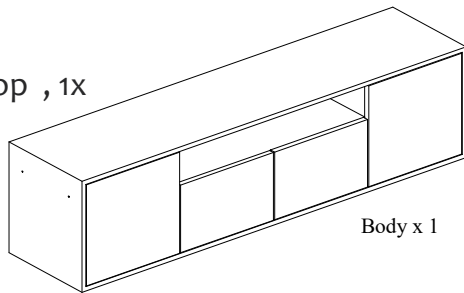


ASSEMBLY INSTRUCTIONS

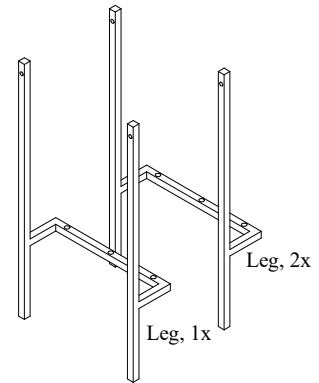


Components:

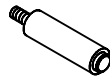
(A) Top , 1x



(B) Leg , 2x



(C) Center Leg , 1x



Hardware & Tools:

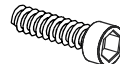
(D) Allen bolt , 2x



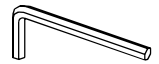
(E) Allen bolt , 4x



(F) Allen bolt , 4x



(G) Allen Key , 1x

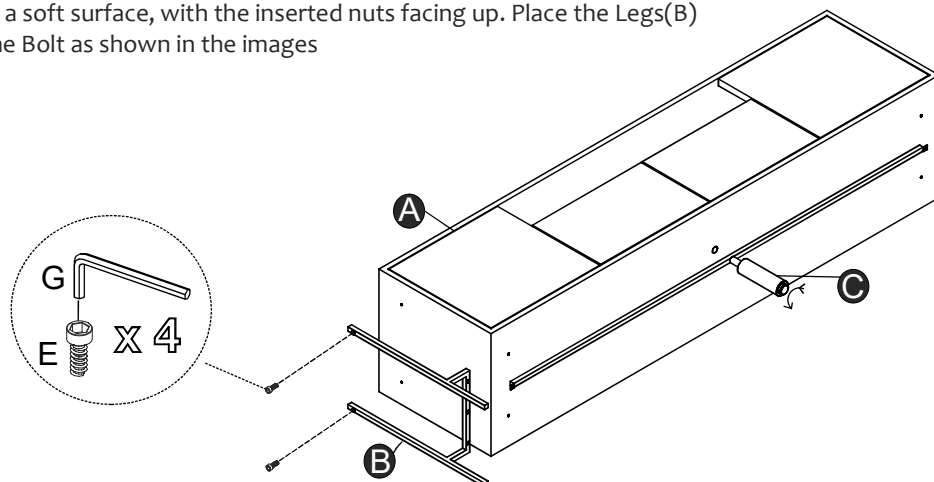


Before beginning:

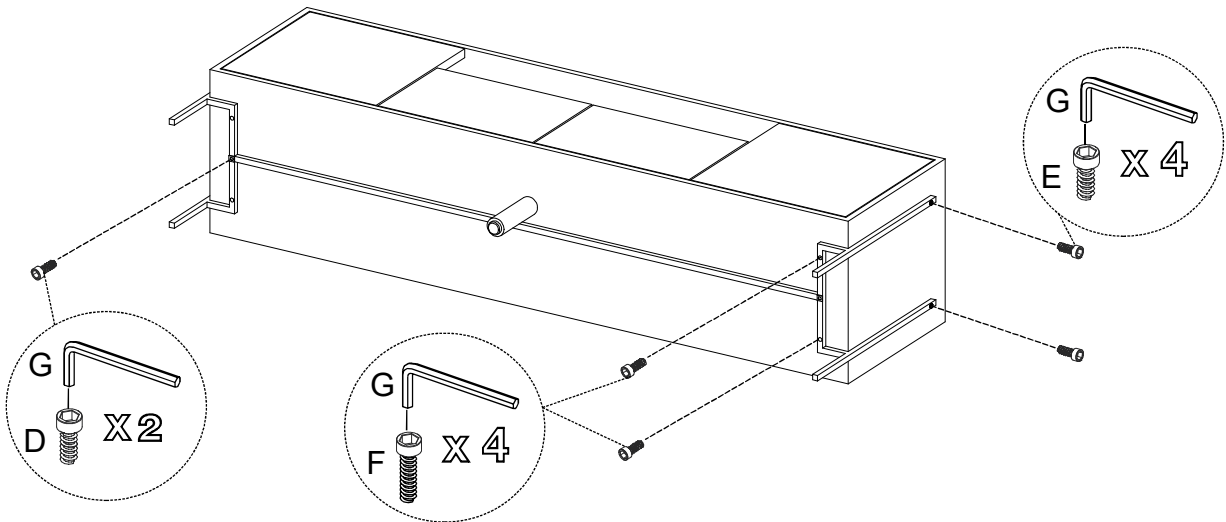
- o Unpack all part and hardware to ensure you have all needed components for assembly
- o Read the guide cover to cover before beginning assembly.
- o Have 2 adults on hand for assembly.
- o Assembly on a padded, no - marring surface.
- o Save all packaging until finish.

Assembly steps

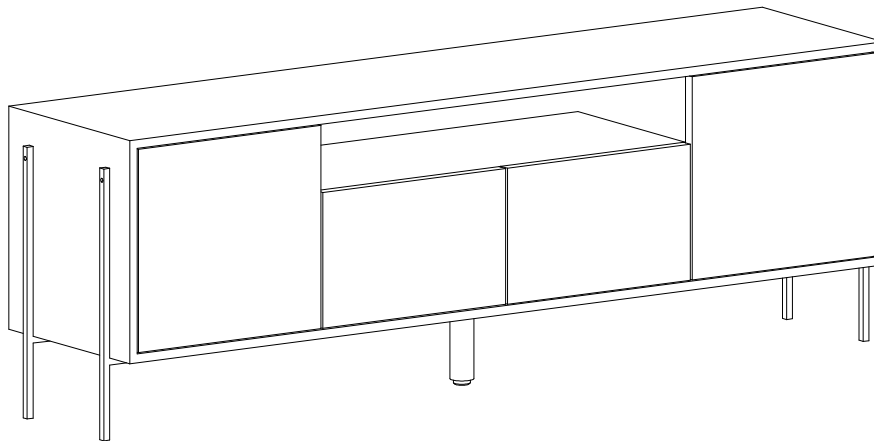
Step 1: Lay the table (A) on a soft surface, with the inserted nuts facing up. Place the Legs(B) making them match with the Bolt as shown in the images



Step 2: Attach the leg using the Bolts D, E and F and Allen Key (G) provided



Step 3: Turn the Table on its upright position



Assembly complete

Care Instruction:

- o Do not clean furniture with harsh cleansers or polish.
- o Do not put hot items directly on furniture surface.
- o Do not put furniture in direct sunlight.
- o Dust and pick up spills with a clean, non-colored, lint-free cloth.
- o Stains may be removed with mild soap and damp cloth.

Thank you!