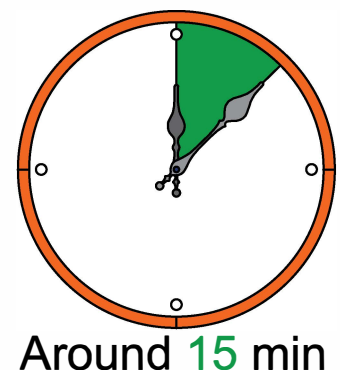
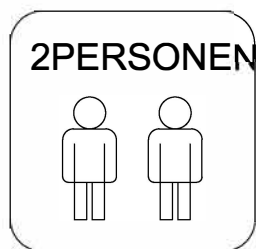
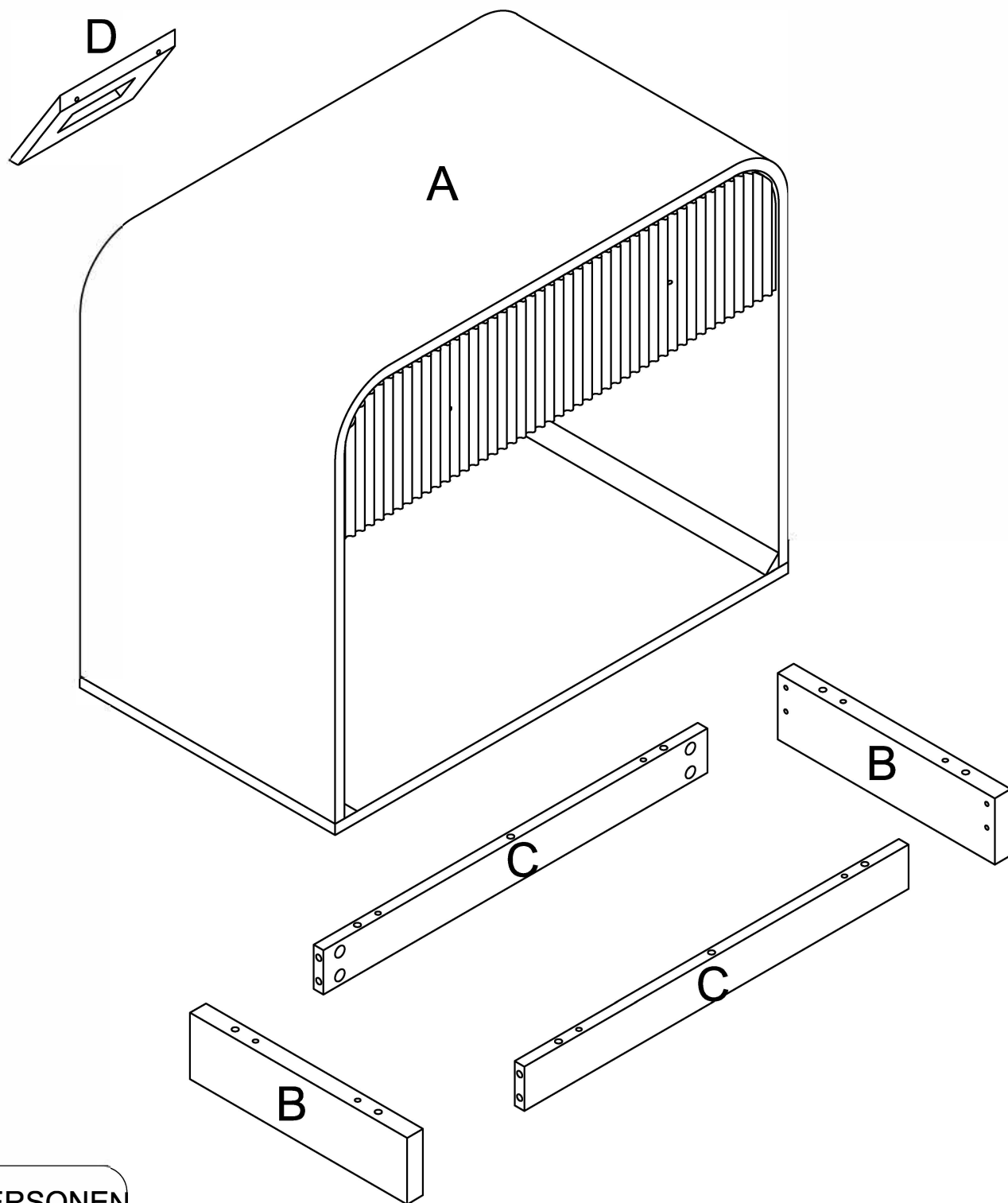


MAINTENANCE AND WARNING

- 1.Keep furniture away from heat sources.
- 2.Do not clean furniture with harsh cleaner or polishes.Do not use detergents,solvents,abrasives,spray packs or leather cleaner. Use non-color mild soa with warm water to clean spills(Mix 1:10 soap to water).
- 3.Do not place furniture under direct sunlight,material will possibly fade over time.
- 4.Do not use on site dry cleaning machine.Children should not climb or jump on the furniture.
- 5.Do not write on furniture that is not protectedby a padded barrier.
- 6.Not for commercial use,only for residential use.

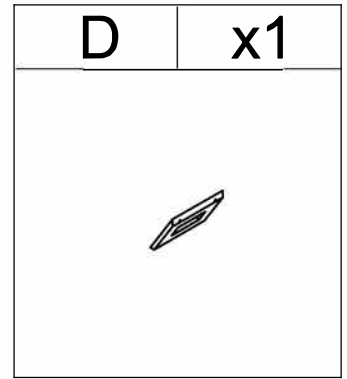
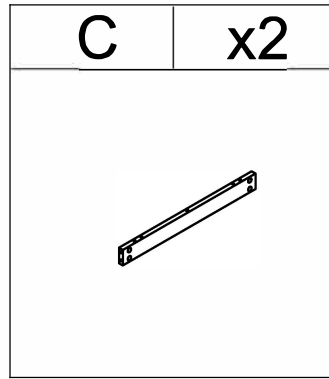
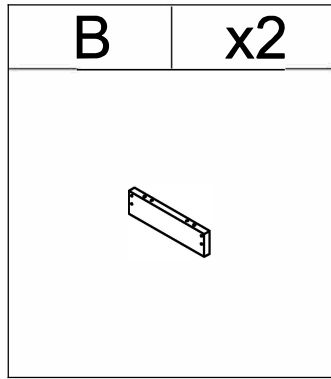
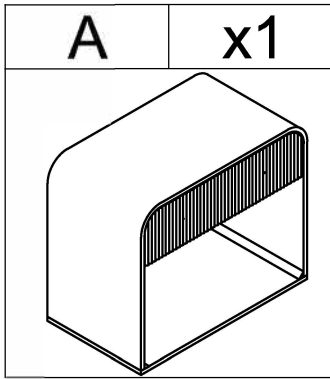


EXPLOSIVE VIEW

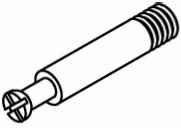


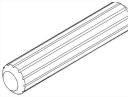
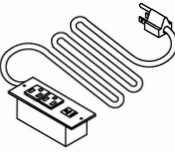





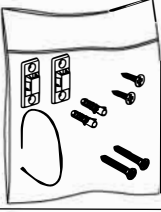


OVERVIEW

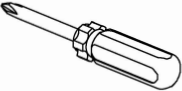
PARTS LIST 1



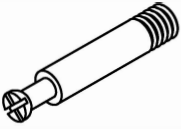


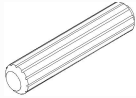




HARDWARE LIST

#1	x8	#2	x8	#3	x10	#4	x8	#5	x1	#6	x2
											
6x35MM		Ø15*9MM		6x70MM		6x30MM				Ø3.5x14MM	
#7	x4	#8	x8	#9	x2	#10	x2	#11	x2		
											
#8*1"MM											

TOOL LIST

#12	x1
	

HARDWARE SPARE LIST

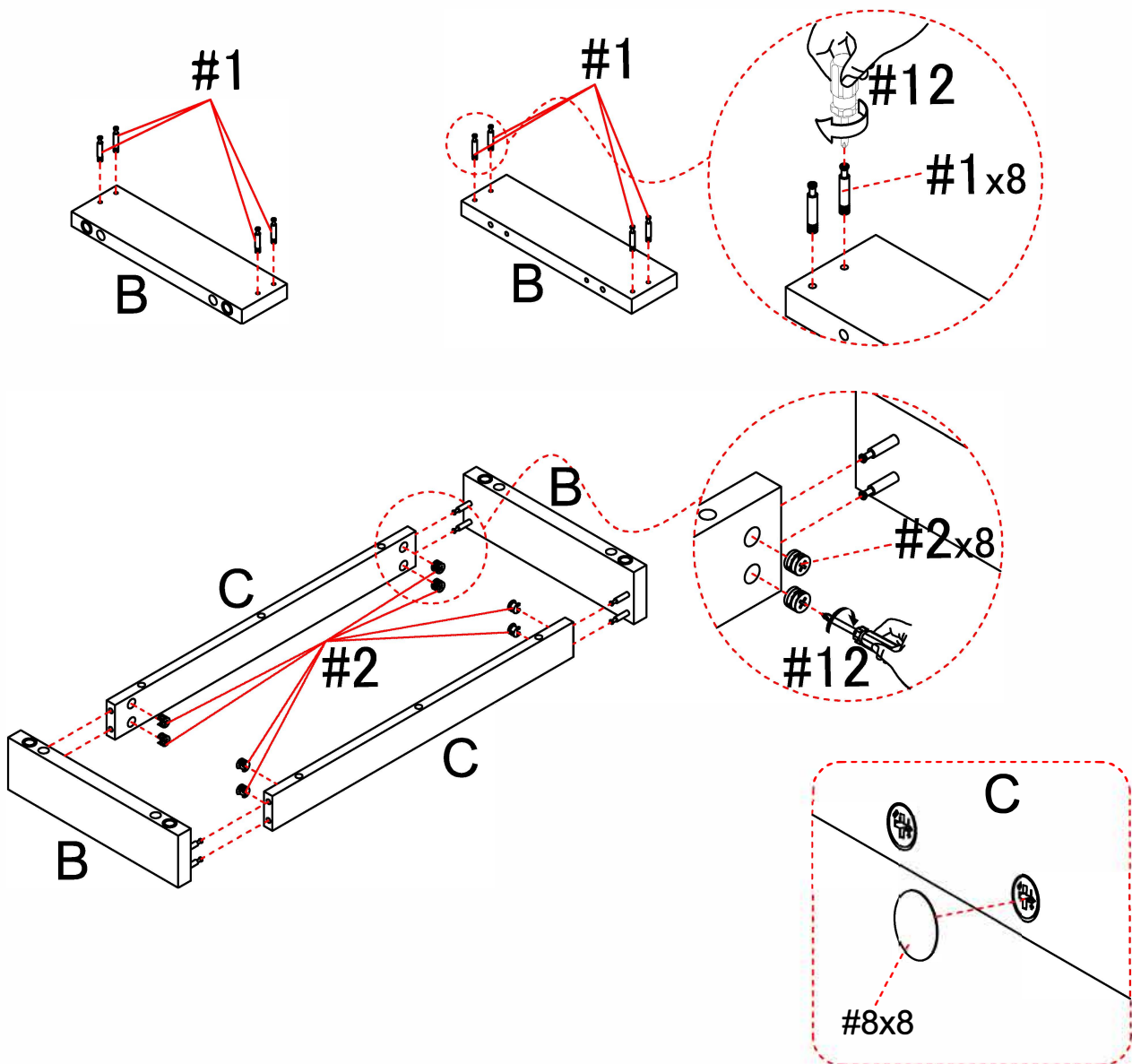
#1	x1	#2	x1	#3	x1	#4	x1	#6	x1	#7	x1
											
6x35MM		Ø15*9MM		6x70MM		6x30MM		Ø3.5x14MM		#8*1"MM	
#8	x1	#10	x1								
											

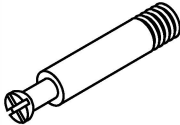


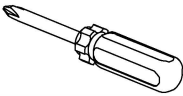
ASSEMBLY INSTRUCTIONS

STEP-1

1. Lock part #1 into the corresponding hole of part (B) with screwdriver #12 as shown in the figure.

2. As shown in the figure: put the eccentric wheel #2 into the hole corresponding to the part (C), lock it with screwdriver #12, and glue the part #8 to the hole corresponding to the part (C).

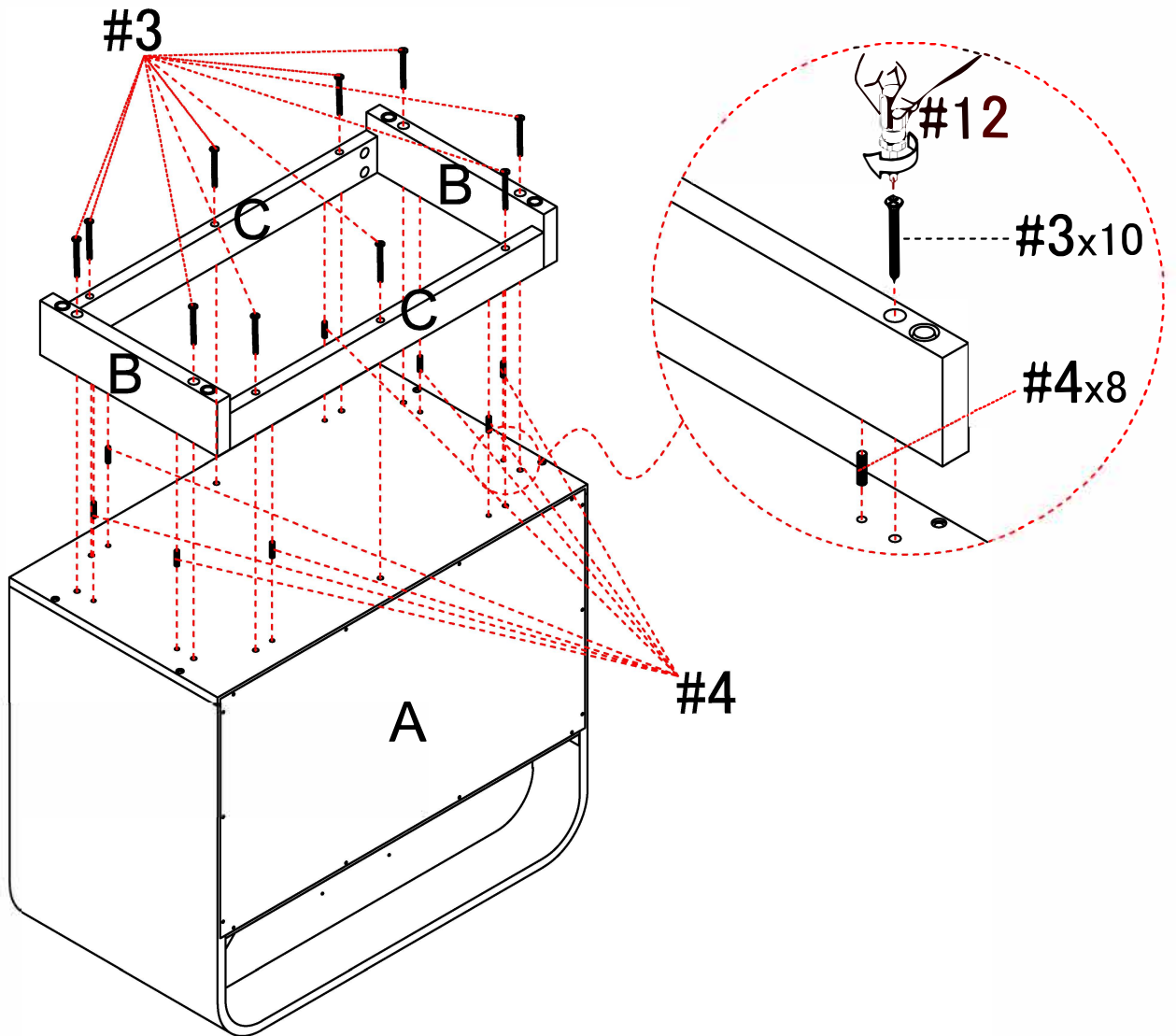


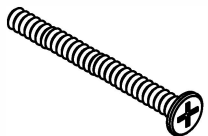
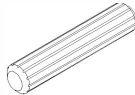
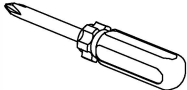
#1	x8	#2	x8	#8	x8	#12	x1
							
6x35MM		Ø15*9MM					

ASSEMBLY INSTRUCTIONS

STEP-2

As shown in the figure: Insert the dowel #4 into the corresponding hole of the part (A&B&C), assemble it with screw #3 through the part (B&C) and part (A), and lock it with screwdriver #12.

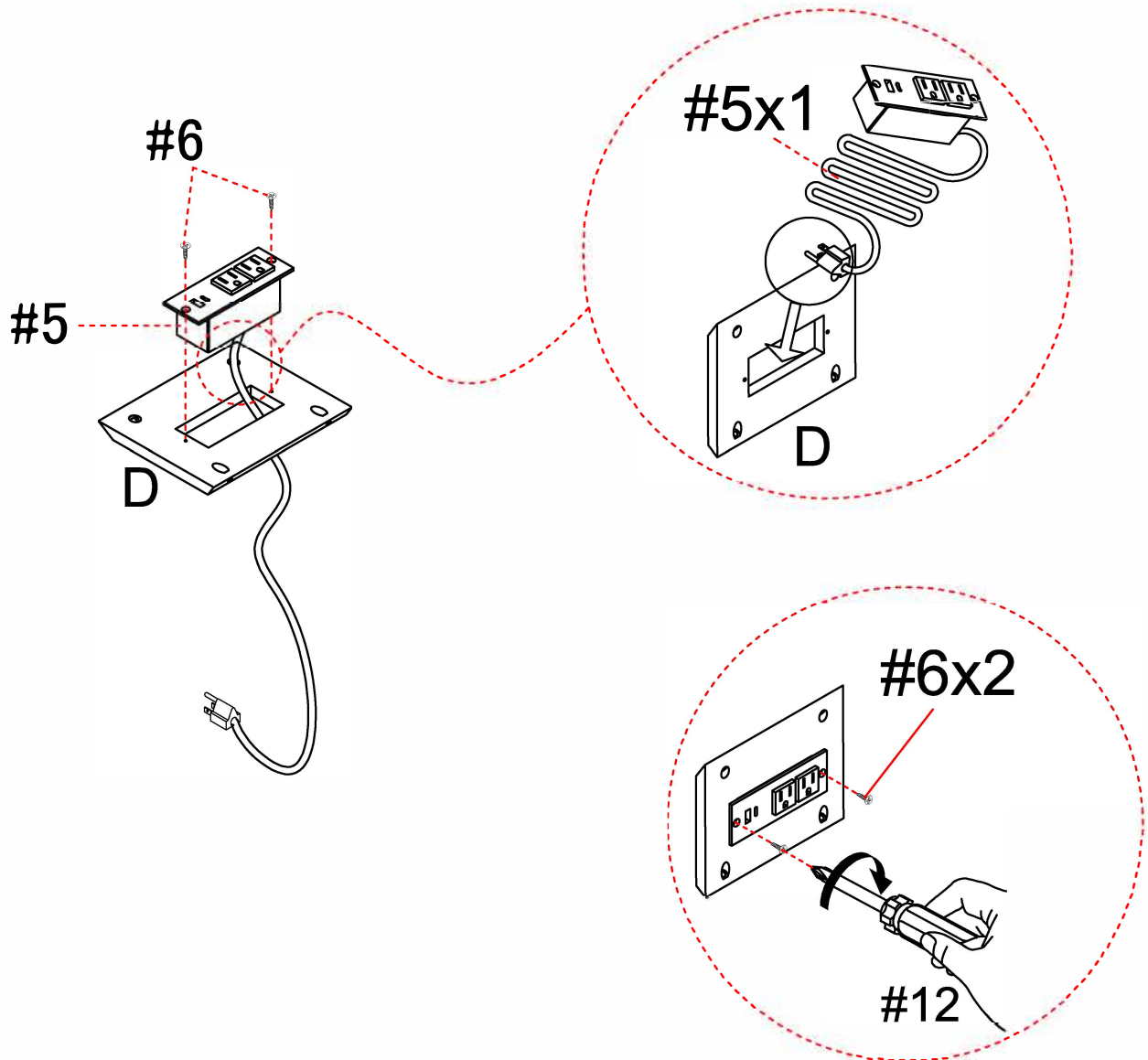


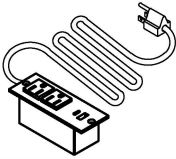

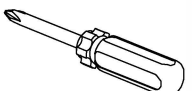
#3	x10	#4	x8	#12	x1
					
6x70MM		6x30MM			

ASSEMBLY INSTRUCTIONS

STEP-3

Connect socket #5 to part (D) using screw #6. and tighten it with screwdriver #12.

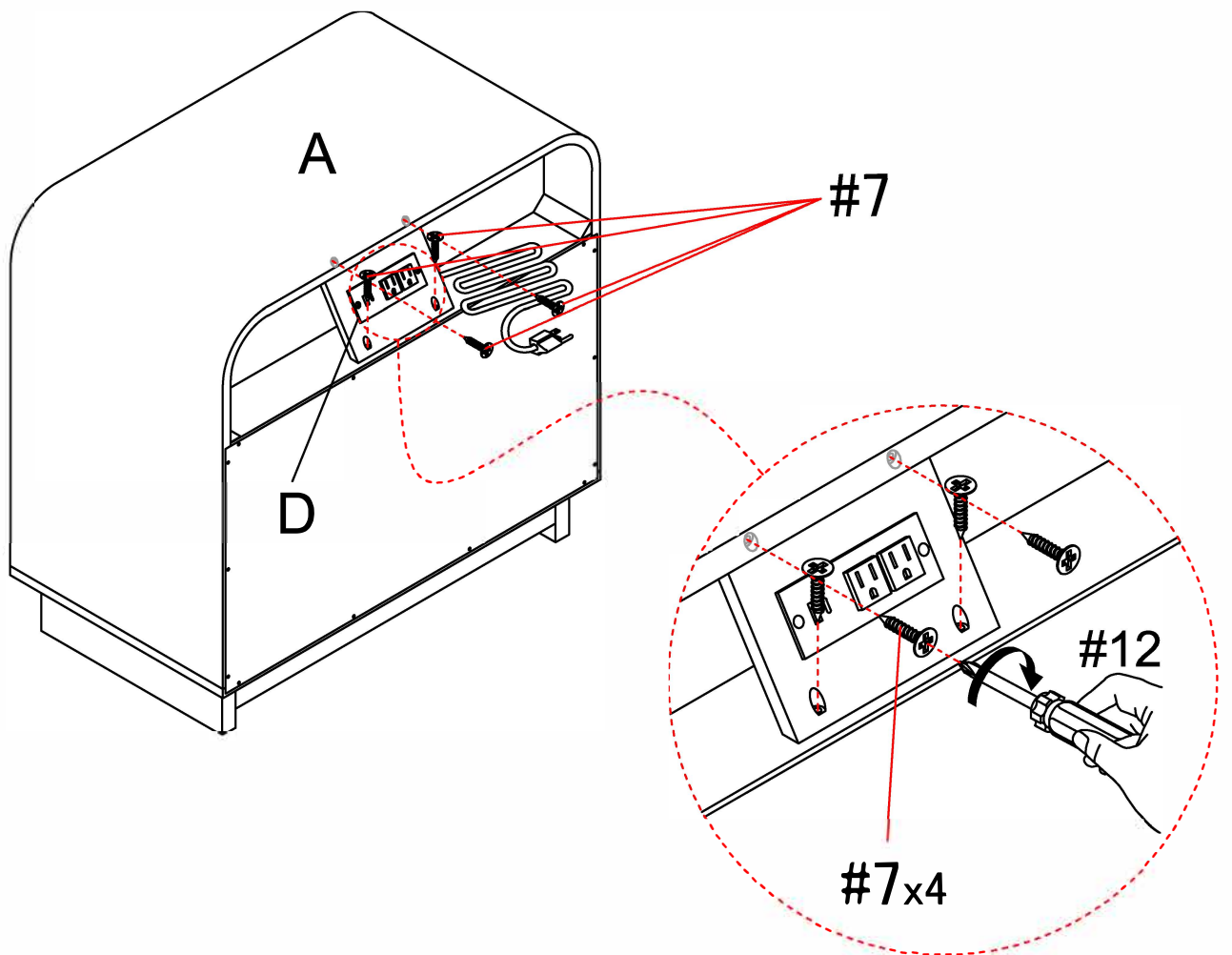



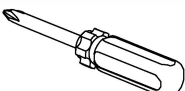
#5	x1	#6	x2	#12	x1
					
		Ø3.5*14MM			

ASSEMBLY INSTRUCTIONS

STEP-4

As shown: Assemble with screw #7 through part (D) and part (A) and lock with screwdriver #12.

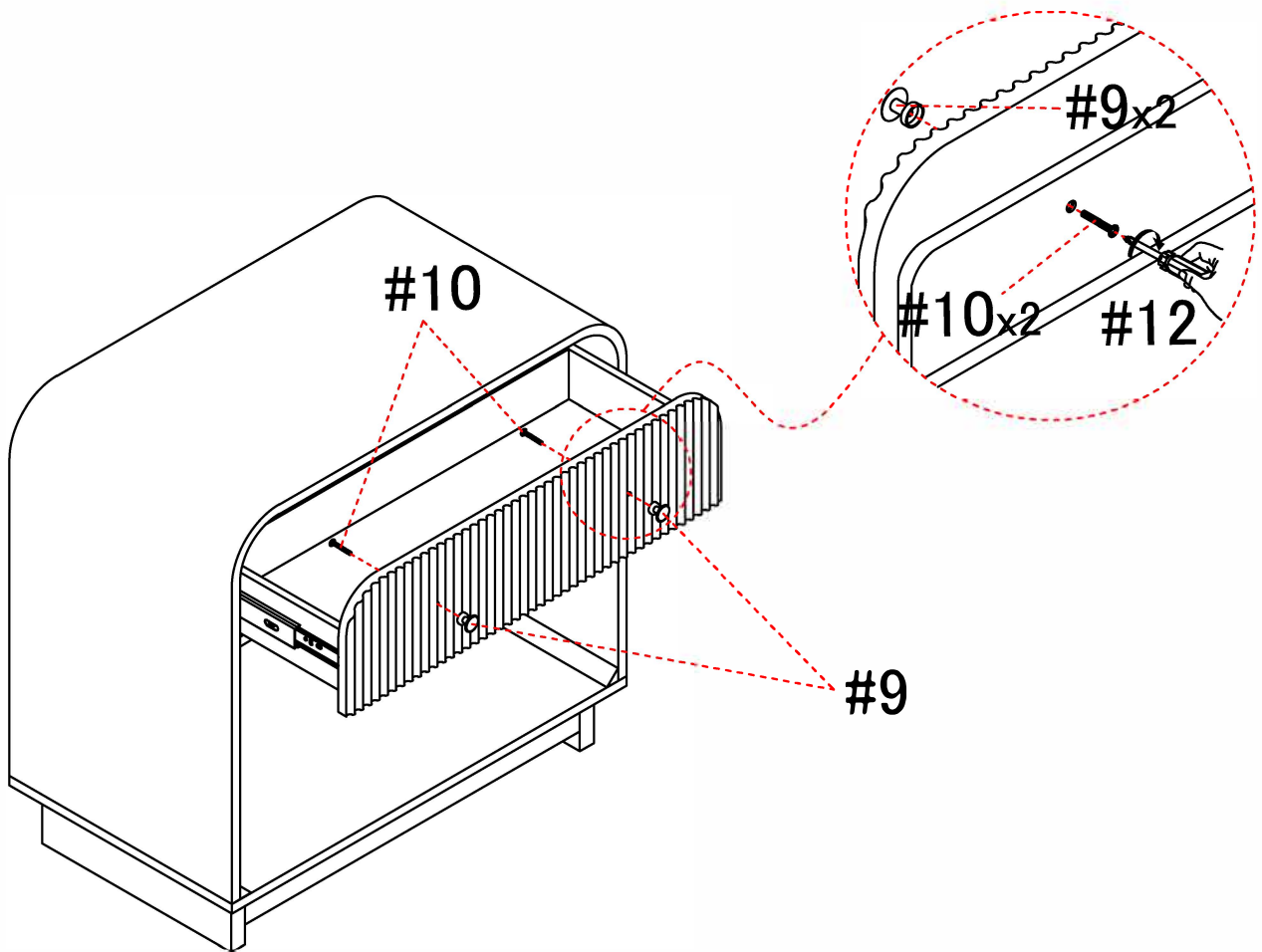


#7	x4	#12	x1
			
ø8*1"			

ASSEMBLY INSTRUCTIONS

STEP-5

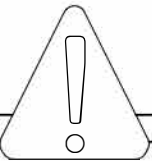
As shown in the picture: Put together with screw #10 through the pull panel and handle #9, and lock with screwdriver #12.



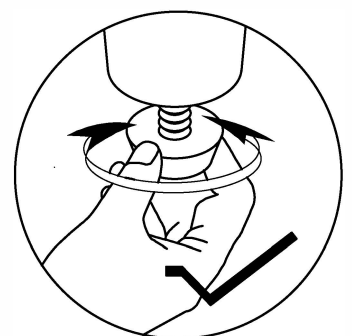
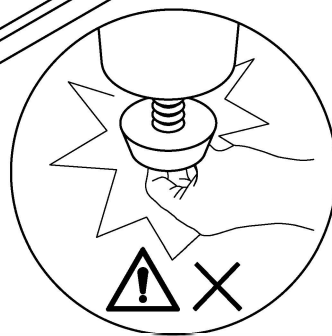
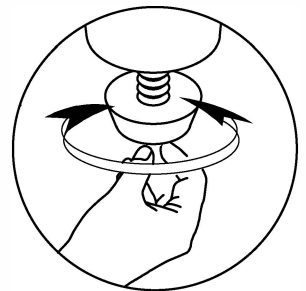
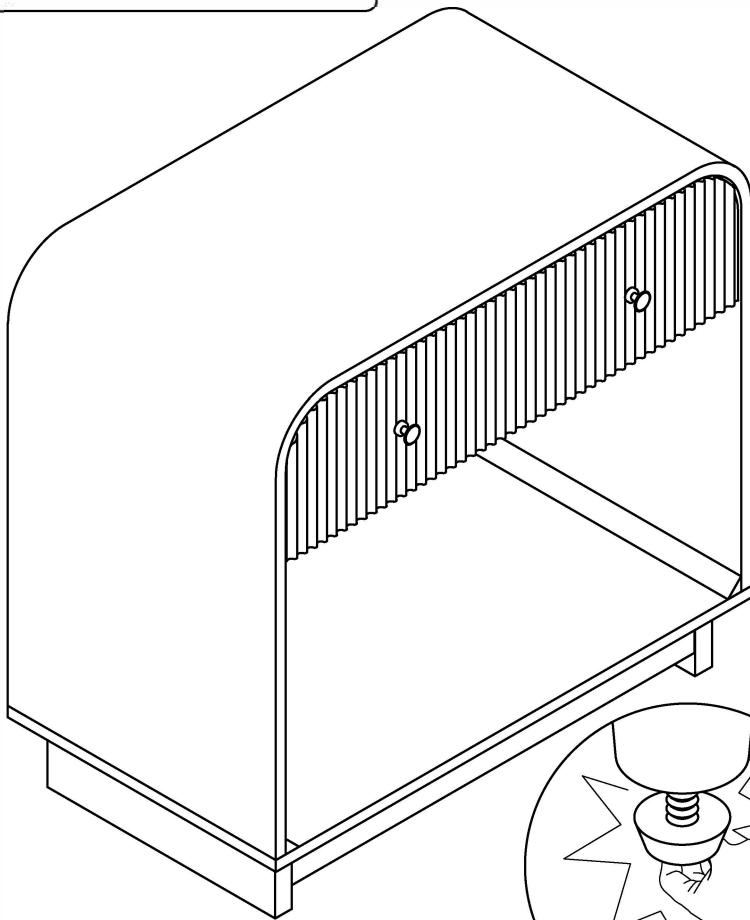
#9	x2	#10	x2	#12	x1

ASSEMBLY INSTRUCTIONS

STEP-6

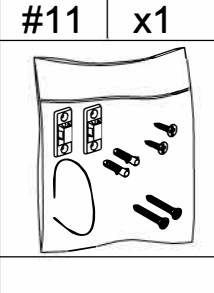
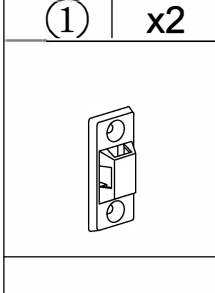
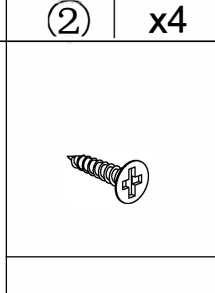
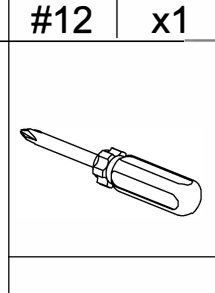


Attention:
After installation, adjust the adjustable leveler to keep the cabinet balanced .

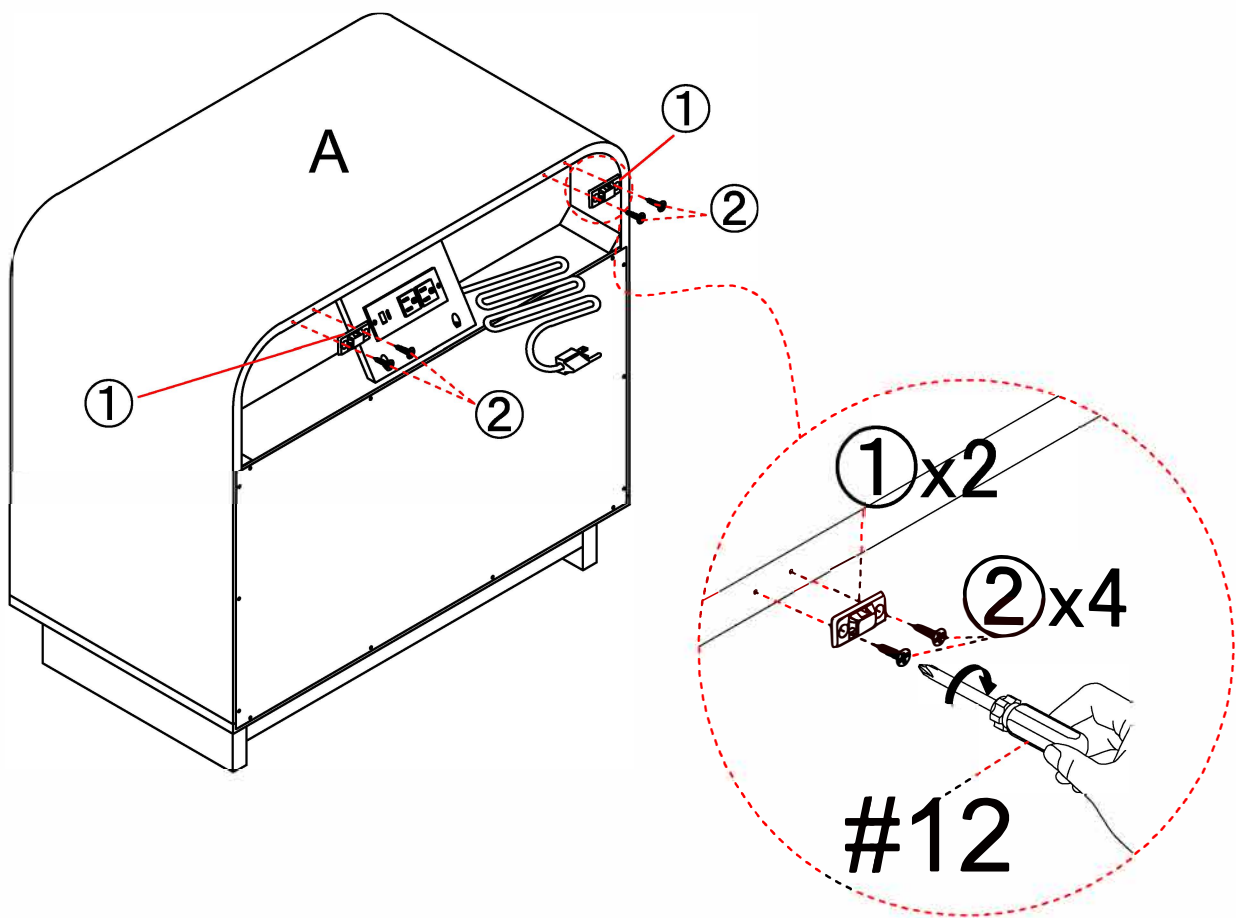


ASSEMBLY INSTRUCTIONS

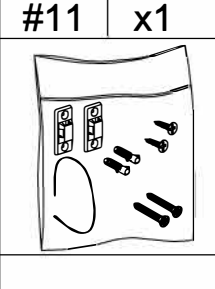
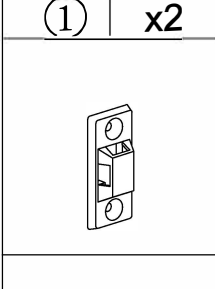
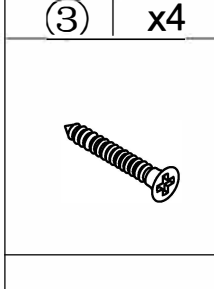
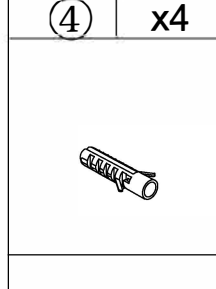
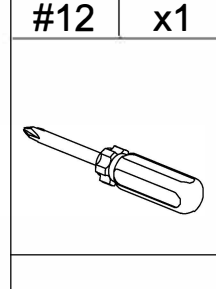
STEP-7

#11	x1	①	x2	②	x4	#12	x1
							

Use screw ② to attach plastic bracket ① to panel (A), make sure all holes aligned and tighten screw ② with screwdriver #12.

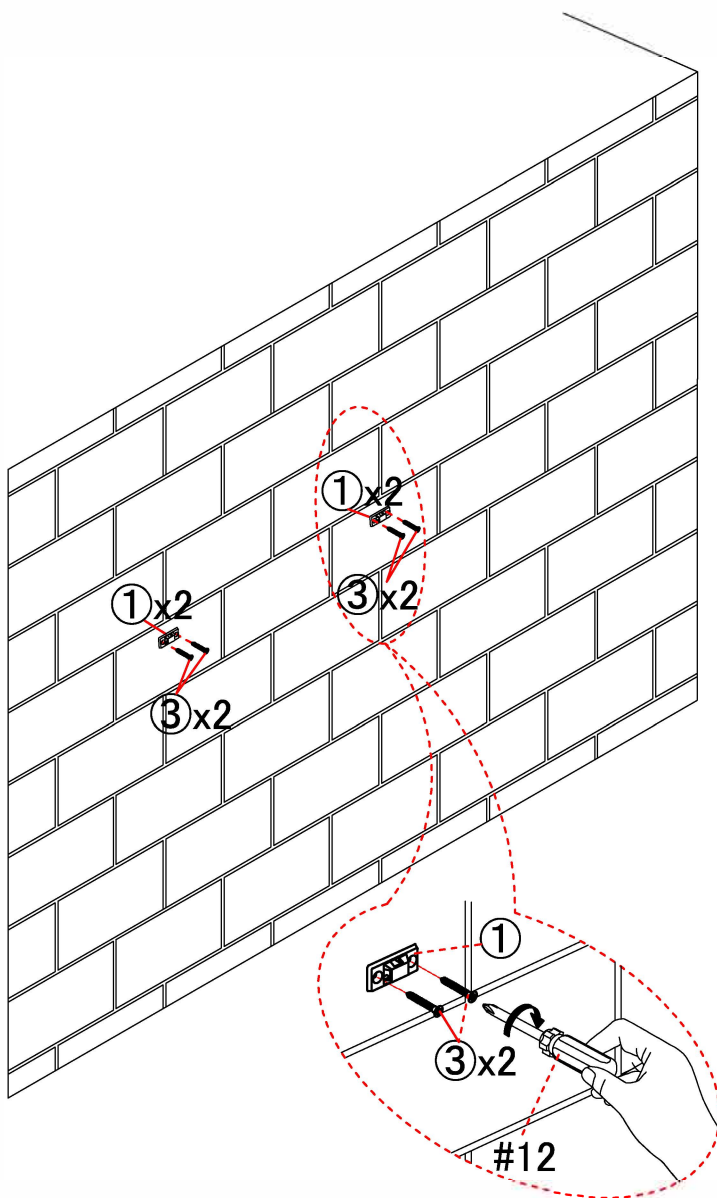


ASSEMBLY INSTRUCTIONS

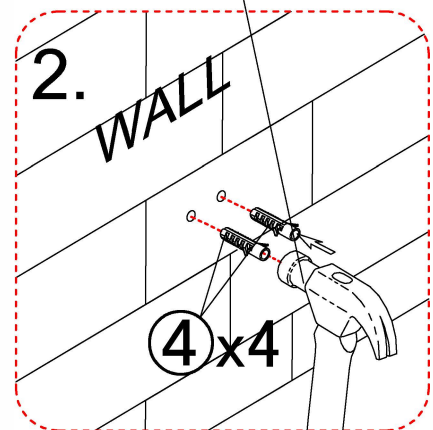
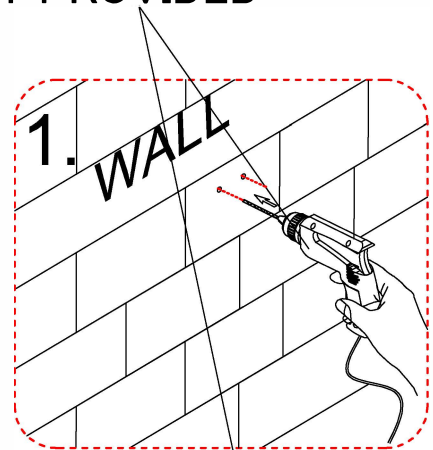
#11	x1	①	x2	③	x4	④	x4	#12	x1
									

STEP-8

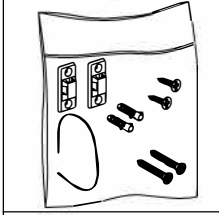

1. Mark the position on the wall, that corresponds to the location of bracket ① on the panel A; Drill and insert the expandable screw ④ by hammer.
2. Assemble the bracket ① to the wall. Align the hole in the bracket ① with the expandable screw ④, use screw ③ to attach it, tighten screw ③ with screwdriver #12



NOT PROVIDED

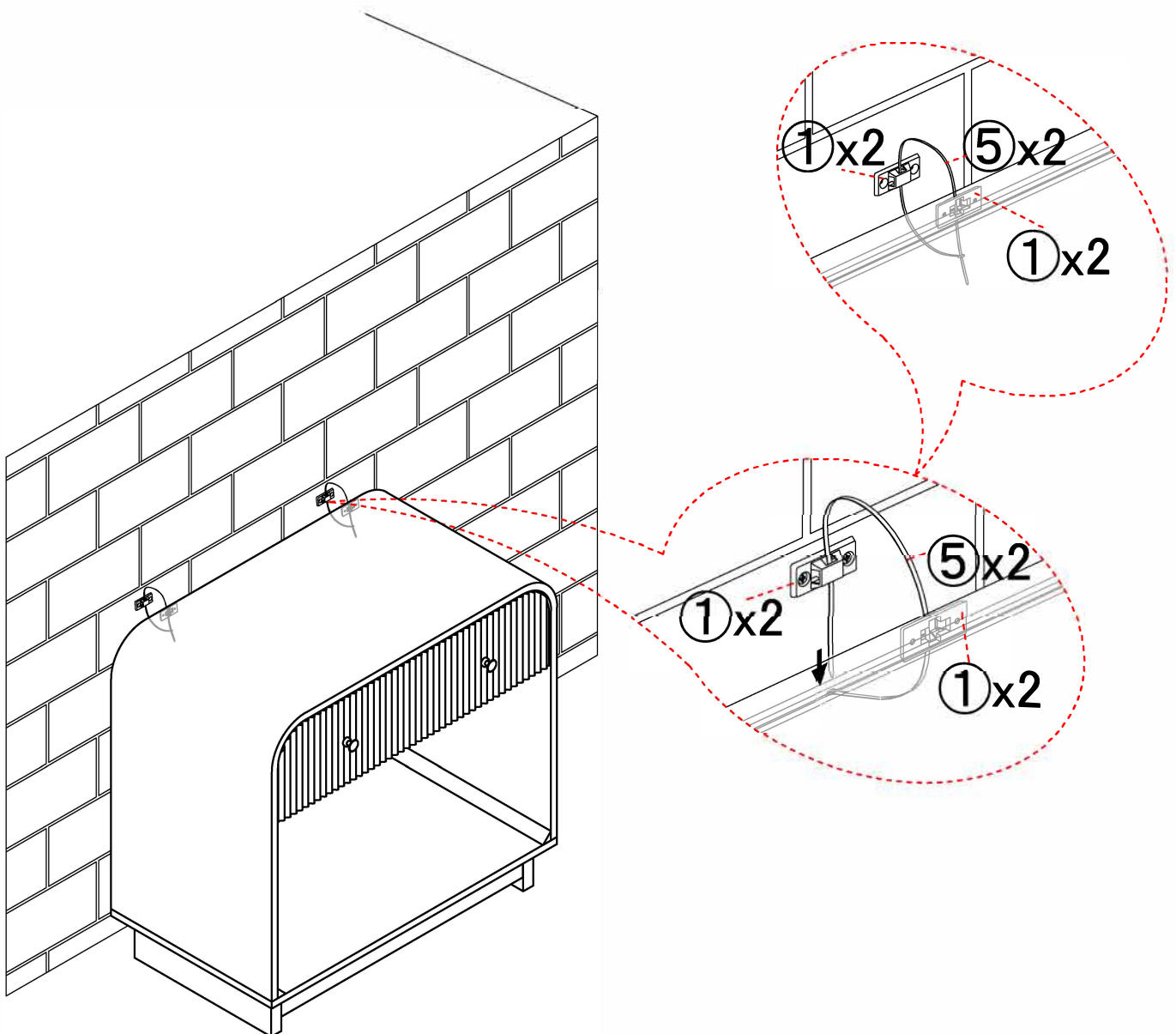


ASSEMBLY INSTRUCTIONS

#11	x2	⑤	x2
			

STEP-9

3. Let the plastic belt ⑤ pass through bracket ① and pull tightly.



WARRANTY

1. We strive to offer high-quality products, and we also try our best to satisfy each and every customer that orders from us with product or service as needed.
2. We provide 30 days warranty starting from the time you receive the item. Each customer must provide a record of their order such as the order number, or item receipt for any items that are out of the warranty period you may also still receive.
3. Replacement parts by purchasing them with our company if they are available.