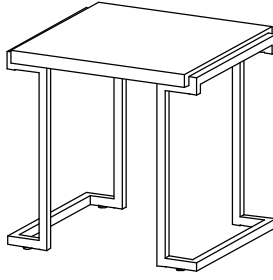
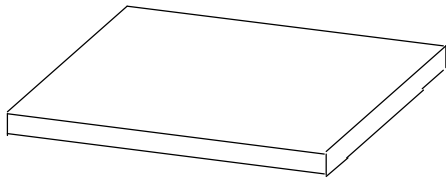


ASSEMBLY INSTRUCTIONS

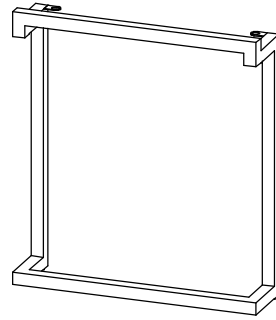


1



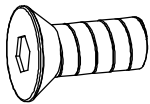
**TABLE TOP
1PC**

2



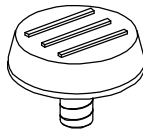
**SIDE FRAME
2PCS**

A



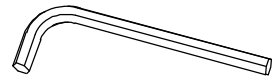
**BOLT 1/4"X1/2"
8PCS**

B



**LEVELER
4PCS**

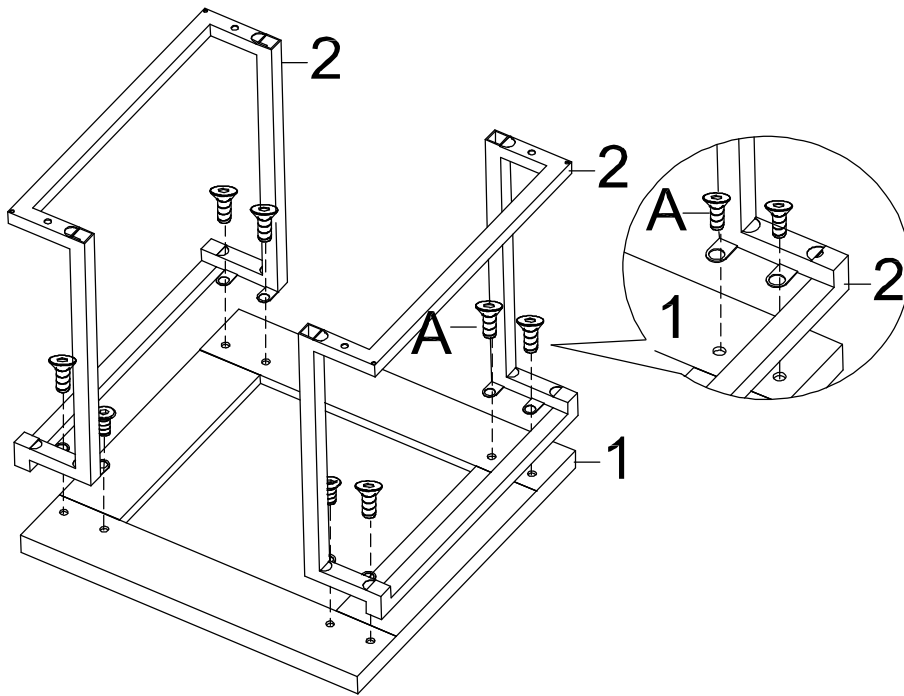
C



**ALLEN KEY
1PC**

***** Do not tighten screws & bolts until the entire unit is completely assembled. *****

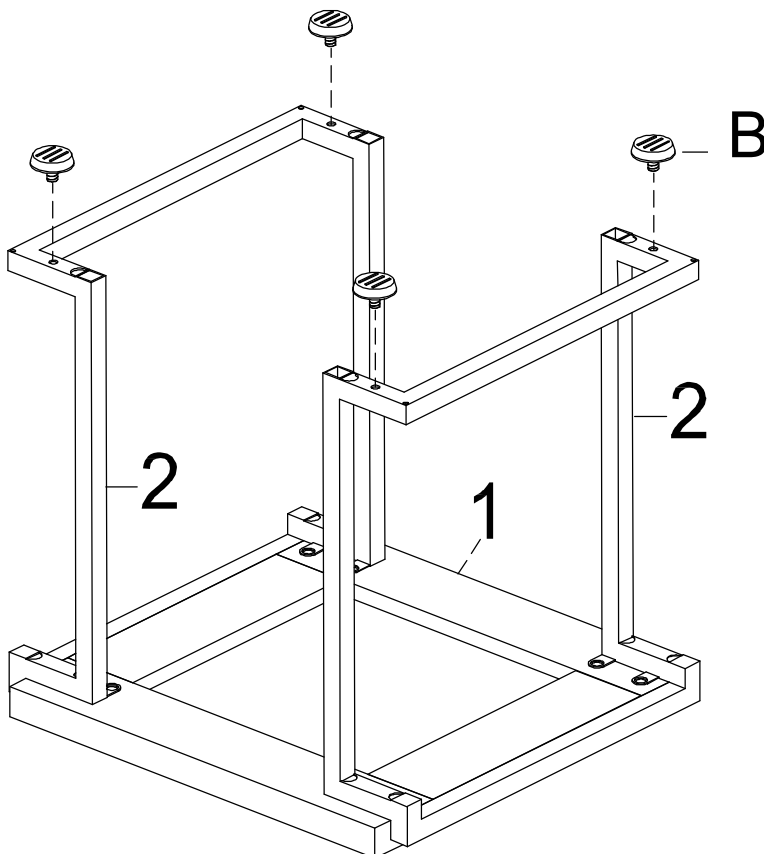
STEP 1



*Please put all parts on a soft surface to prevent scratches.

Attach side frame (2) to table top (1) by using bolt (A) as shown.

STEP 2



Screw leveler (B) to the bottom of side frame (2) as shown.

Turn the unit right side up.

Your end table is now complete.