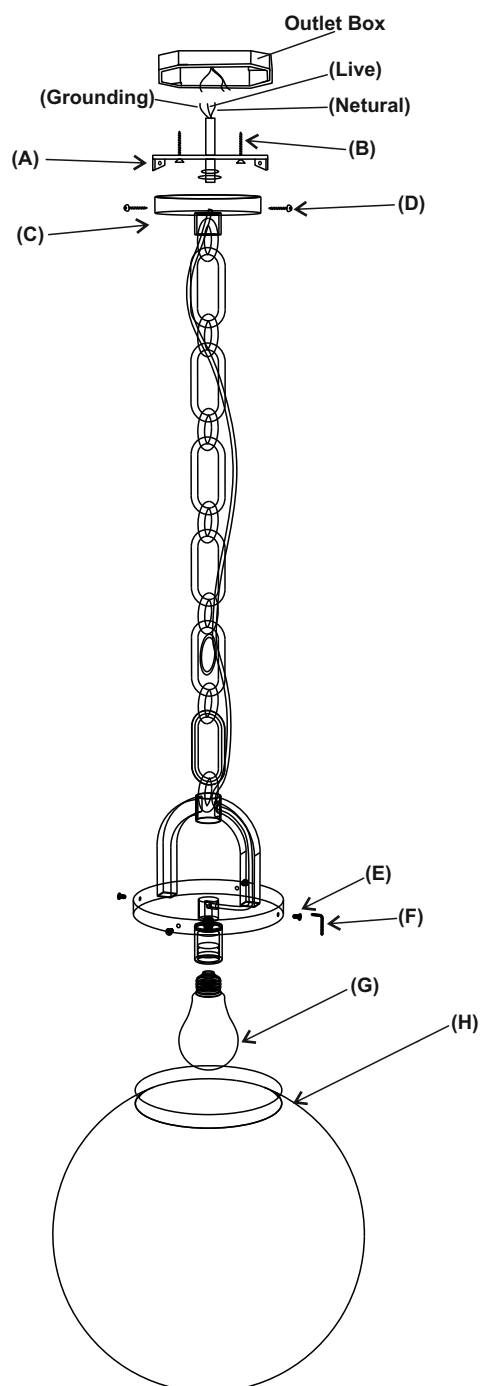


## PARTS ENCLOSED:

| ITEM DESCRIPTION          | QTY. |
|---------------------------|------|
| (A) Mounting Plate        | 1    |
| (B) Mounting Plate Screws | 2    |
| (C) Canopy                | 1    |
| (D) Canopy Screw          | 2    |
| (E) Allen Screw           | 4    |
| (F) Allen Key             | 1    |
| (G) Bulb                  | 1    |
| (H) Pendant               | 1    |



## IMPORTANT SAFETY INSTRUCTIONS:

1. Use an authorized and certified electrician for consultation and installation. Electrician must be familiar with commercial - type applications of very heavy chandeliers.
2. It is recommended to use 9 Watt SBLED maximum Type A standard bulb.
3. To avoid the risk of fire, do not exceed the recommended wattage.
4. The manufacturer and distributor accept no liability for incorrect installation.
5. For indoor use only.
6. Keep away from children.

## WARNINGS:

1. Turn - off electricity supply at main circuit panel before installing. Do not connect electricity supply until your ceiling light is fully assembled and installed.
2. To reduce the risk of fire, electrical shock, or personal injury, always turn off the ceiling light and allow it to cool prior to replacing light bulb. Do not touch bulb when fixture is turned on or look directly at light bulb. Keep flammable materials away from light bulb.
3. Deviation from instruction may result in a risk of fire or electric shock. Please read all instructions completely before installation.

## TO ASSEMBLE:

1. Carefully unpack the pendant. Do not discard any material till assembly is complete.
2. Turn OFF power to the Outlet box where the ceiling light will be installed.
3. Remove the Mounting plate (A) from the canopy (C) by unscrewing Top screw (D).
4. Attach the Ground wire, Neutral wire & Live wire to respective wire of the Outlet Box.
5. Attach Terminal Mounting Plate (A) to the ceiling Outlet Box and fix it by mounting plate screw (B).
6. Install the Canopy (C) to Mounting plate (A) and fix it by Canopy Screw (D).
7. Install type A bulb maximum 9 Watt SBLED (G) into the socket.
8. Install the Pendant (H) into the pendant canopy and fix it by Allen Screw (E) and tighten with the Allen Key (F).
9. Restore Power to the Outlet Box and test ceiling light fixture.

## CARE INSTRUCTION:

To clean, use a soft dry cloth only. Do not use any chemical or abrasive cleaners.