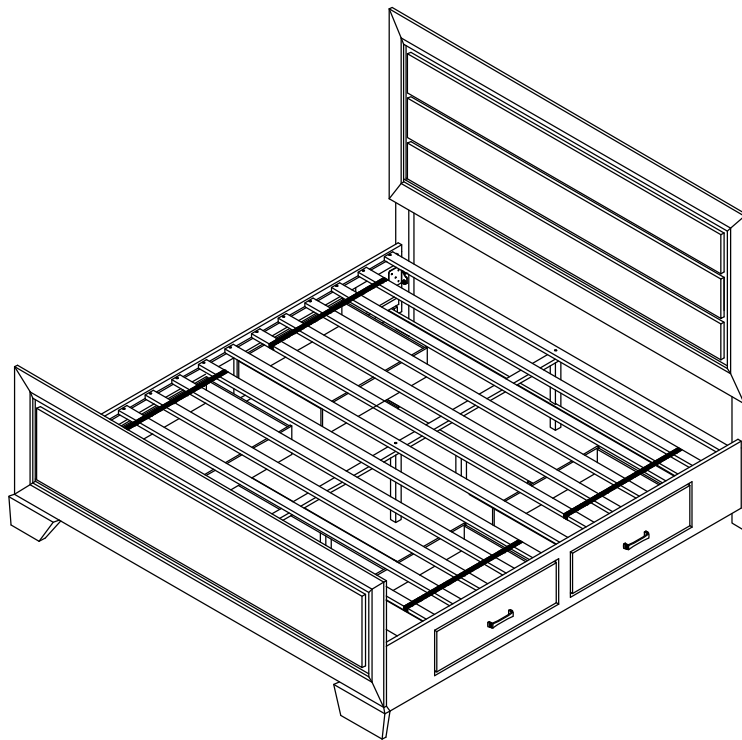




ASSEMBLY INSTRUCTIONS COASTER FINE FURNITURE



Fine Furniture for every stage of life

204390KE (B1-B4) **Eastern King Storage Bed**

REVISION 0 : 04/08/2016
REVISION 1 : 11/14/2016
REVISION 2 : 01/21/2020

ITEM: 204390KE (B1-B4)



ASSEMBLY INSTRUCTIONS

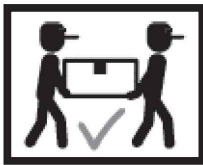
ASSEMBLY TIPS:

- 1 . Remove hardware from box and sort by size.
- 2 . Please check to see that all hardware and parts are present prior to start of assembly.
- 3 . Please follow attached instructions in the same sequence as numbered to assure fast & easy assembly.



WARNING !

- 1 . Don't attempt to repair or modify parts that are broken or defective. Please contact the store immediately.
- 2 . This product is for home use only and not intended for commercial establishment.

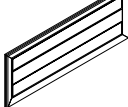
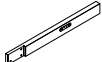
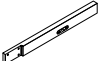
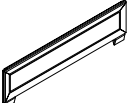


ASSEMBLY TIME

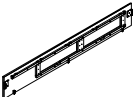
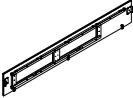
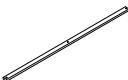

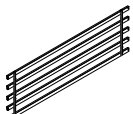
30 MINUTES

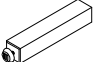
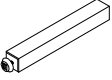
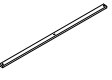

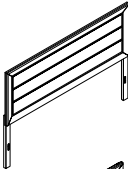

PARTS IDENTIFICATION

B1 (BOX 1)

A	HEADBOARD PANEL		1PC
B	LEFT HEADBOARD LEG		1PC
C	RIGHT HEADBOARD LEG		1PC
D	FOOTBOARD		1PC

B2 (BOX 2)

E	LEFT BED RAIL		1PC
F	RIGHT BED RAIL		1PC
G	BED SLAT WITH 3 HOLES		3PCS
H	DRAWER SLAT		2PCS
I	ROLL SLAT (5PCS)		2SETS

J	STORAGE FOOTBOARD SUPPORT LEG		2PCS
K	CENTER RAIL SUPPORT WITH LEVELER		3PCS
L	CENTER RAIL		1PC
M	BOTTOM CROSS BAR		3PCS
HB	204390KE (B1) FROM BOX 1 HEADBOARD COMPLETE		1PC
D	204390KE (B1) FROM BOX 1 FOOTBOARD		1PC

B3 (BOX 3)

N	DRAWER BOX		2PCS
---	------------	---	------

B4 (BOX 4)

O	DRAWER BOX		2PCS
---	------------	---	------

ITEM: 204390KE (B1-B4)



ASSEMBLY INSTRUCTIONS

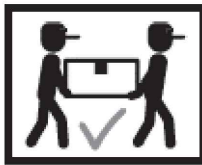
ASSEMBLY TIPS:

- 1 . Remove hardware from box and sort by size.
- 2 . Please check to see that all hardware and parts are present prior to start of assembly.
- 3 . Please follow attached instructions in the same sequence as numbered to assure fast & easy assembly.



WARNING !

- 1 . Don't attempt to repair or modify parts that are broken or defective. Please contact the store immediately.
- 2 . This product is for home use only and not intended for commercial establishment.



ASSEMBLY TIME

30 MINUTES

HARDWARE IDENTIFICATION

Z-B1 (BOX 1) - HARDWARE PACK IS LOCATED IN 204390KE (B1)

1 BOLT
(M6 x 30mm - BLK)



6PCS

3 FLAT WASHER
(1/4" x 13mm - BLK)



6PCS

2 LOCK WASHER
(1/4" - BLK)



6PCS

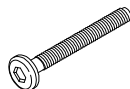
4 ALLEN WRENCH
(M4 x 65mm - BLK)



1PC

Z-B2 (BOX 2) - HARDWARE PACK IS LOCATED IN 204390KE (B2)

5 BOLT
(M6 x 50mm - BLK)



5PCS

8 SMALL ALLEN
WRENCH
(M4 x 65mm - BLK)



1PC

6 LONG FLAT HEAD
SCREW
(M4 x 32mm - RBW)



43PCS

9 BIG ALLEN
WRENCH
(M5 x 65mm - BLK)



1PC

7 SHORT FLAT HEAD
SCREW
(M4 x 16mm - RBW)



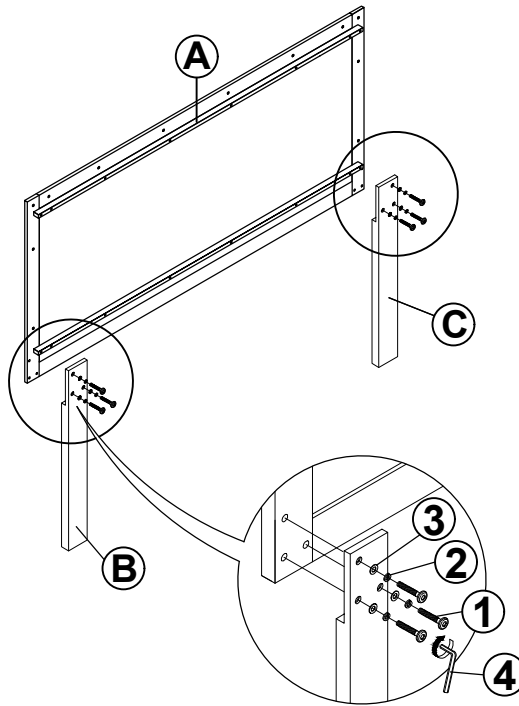
4PCS

NOTE:

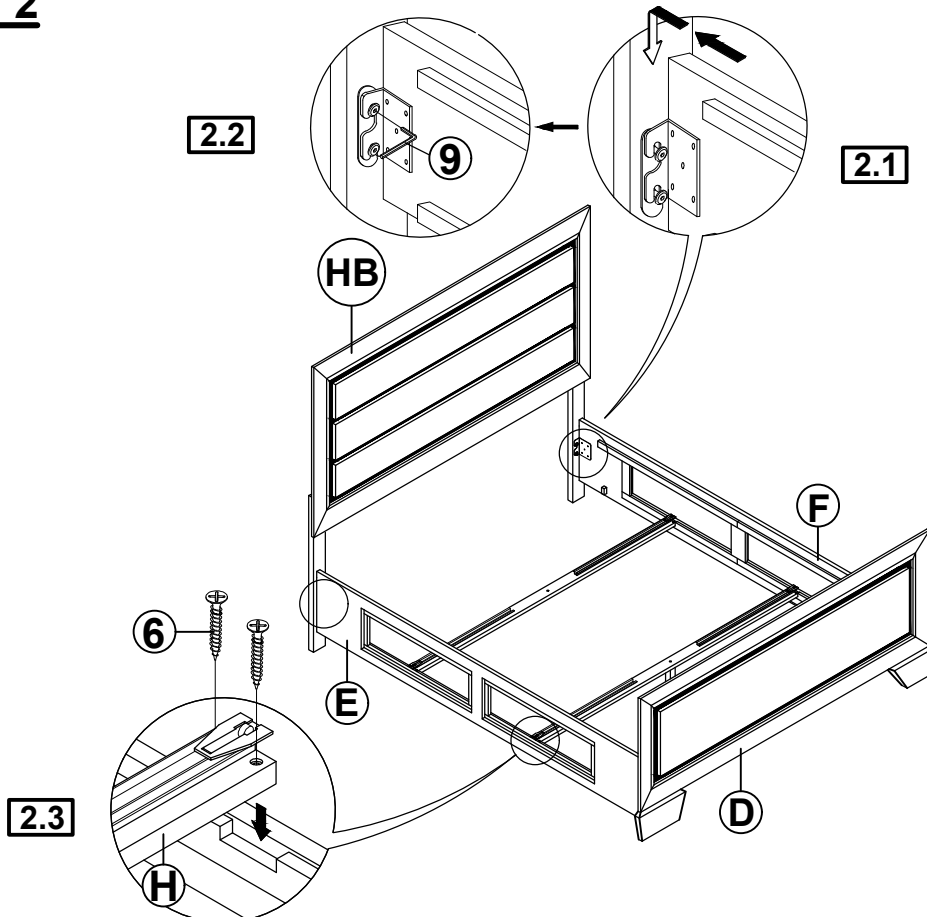
Philips head screw driver in the assembly process ; however, manufacturer does not provide the item

ITEM: **204390KE (B1-B4)**
ASSEMBLY INSTRUCTIONS

STEP 1



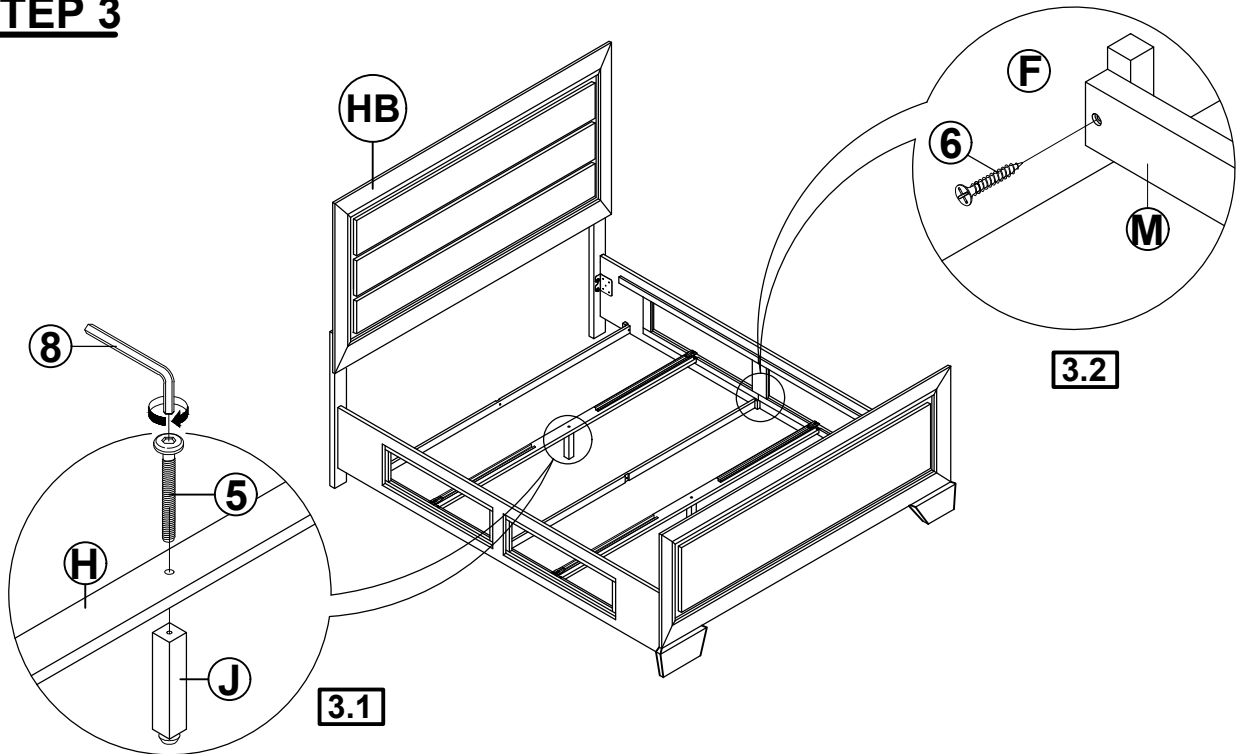
STEP 2



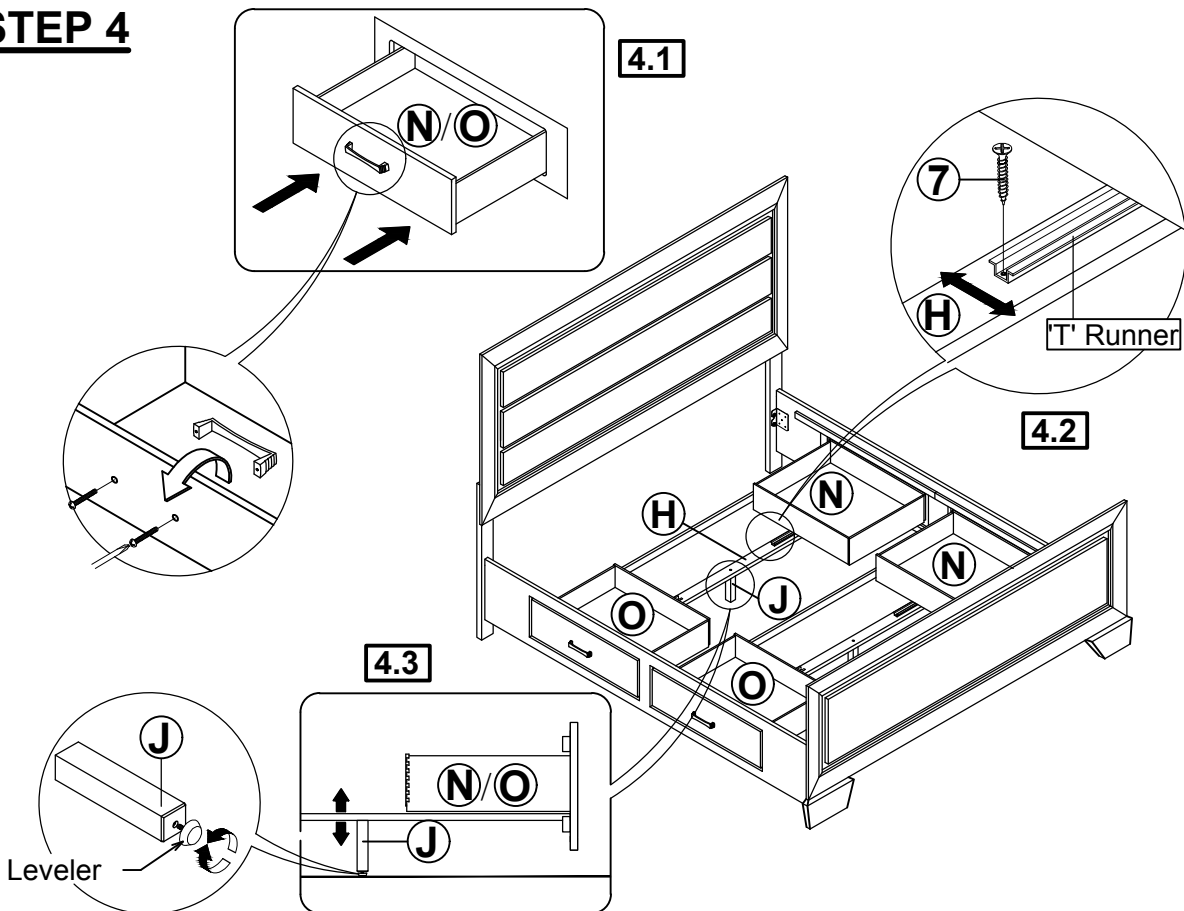
ITEM: 204390KE (B1-B4)

ASSEMBLY INSTRUCTIONS

STEP 3



STEP 4

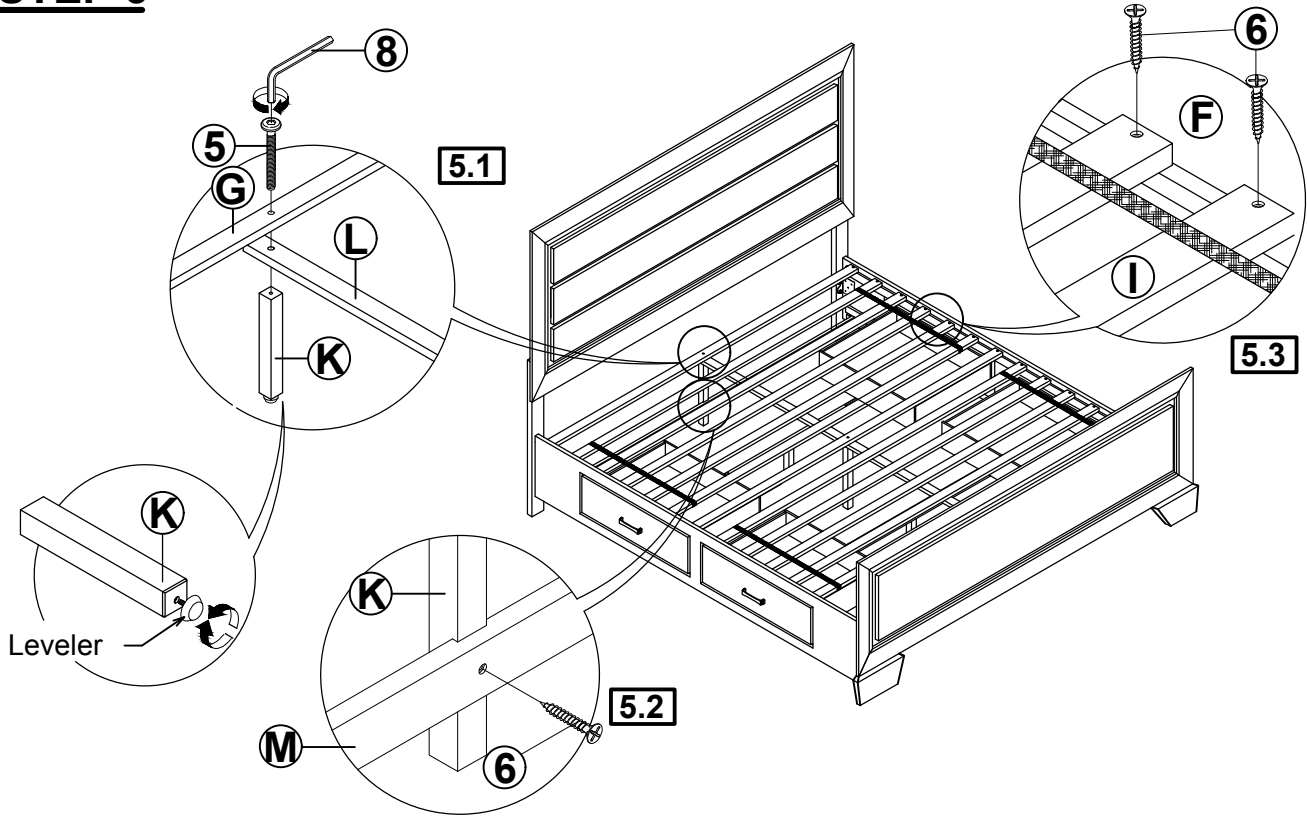


ITEM: 204390KE (B1-B4)

ASSEMBLY INSTRUCTIONS

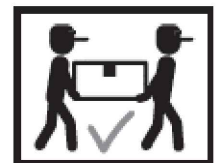
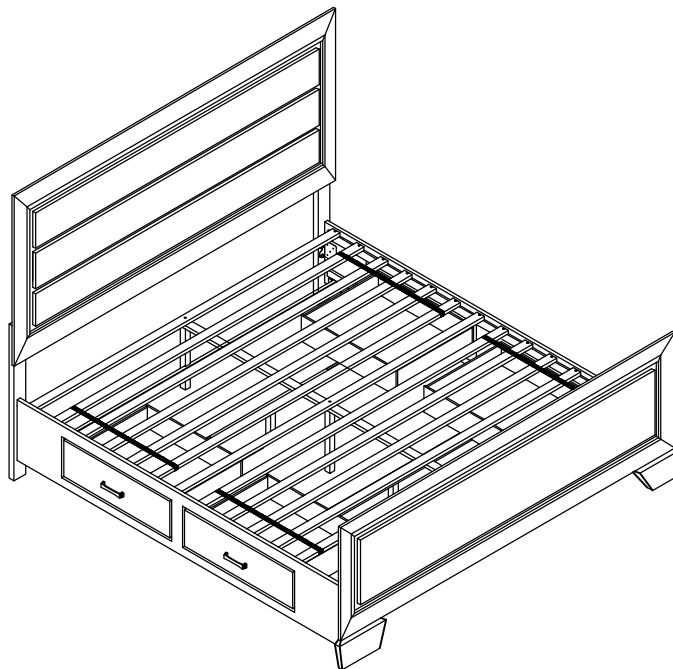


STEP 5



STEP 6

COMPLETE

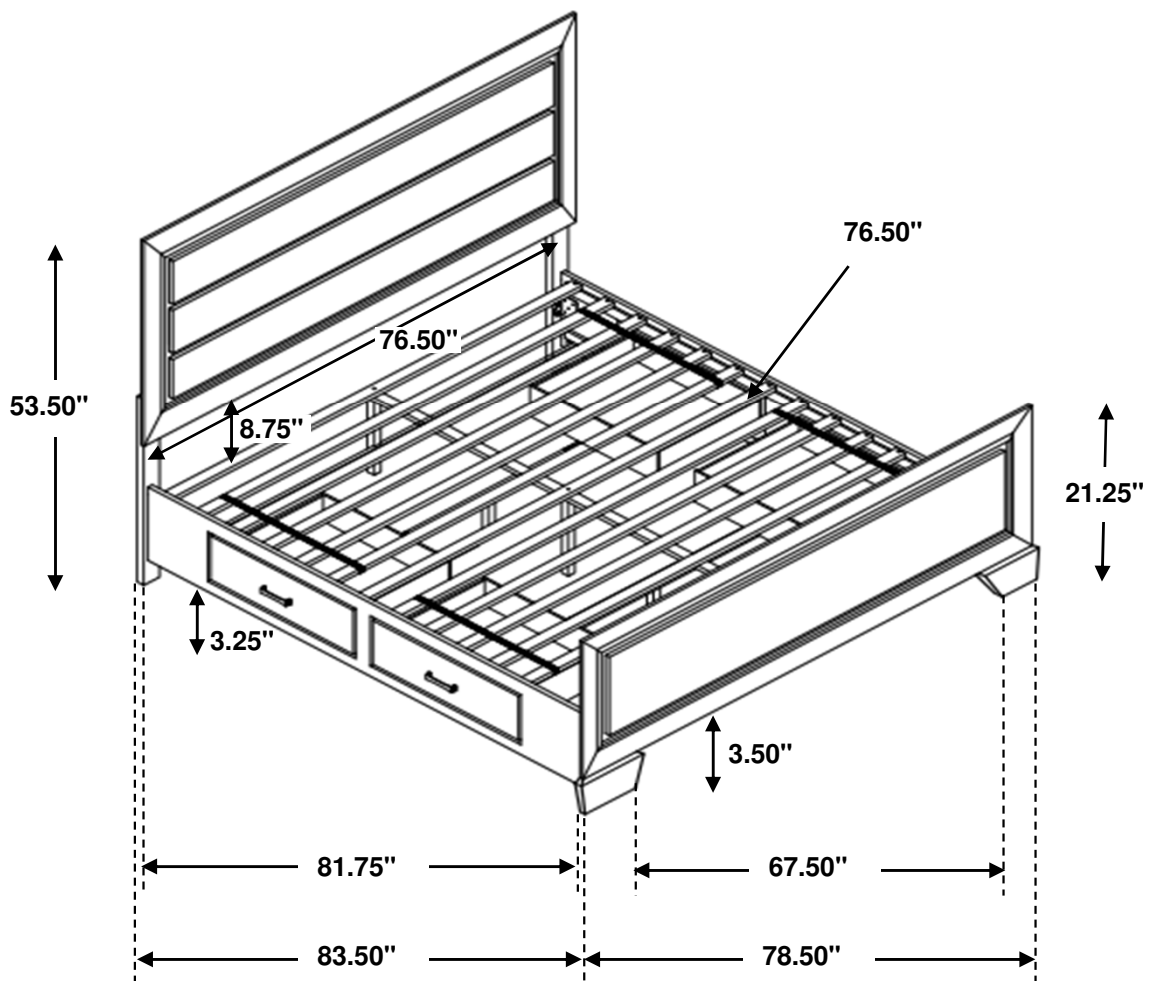


ITEM: 204390KE (B1-B4)



Inner Size : 76.50"W X 81.75"D

Inner Size of Drawer : 5.75"W X 17.75"D X 24.00"H X 0.50"T



Note : Dimension tolerance $\pm 5\%$



ASSEMBLY INSTRUCTIONS
COASTER FINE FURNITURE



Fine Furniture for every stage of life

204392
Nightstand

REVISION 0 : 10/30/2015
REVISION 1 : 01/21/2020

COASTERFURNITURE.COM

ITEM: **204392**



ASSEMBLY INSTRUCTIONS

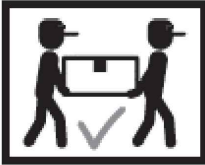
ASSEMBLY TIPS:

- 1 . Remove hardware from box and sort by size.
- 2 . Please check to see that all hardware and parts are present prior to start of assembly.
- 3 . Please follow attached instructions in the same sequence as numbered to assure fast & easy assembly.



WARNING !




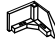

- 1 . Don't attempt to repair or modify parts that are broken or defective. Please contact the store immediately.
- 2 . This product is for home use only and not intended for commercial establishment.



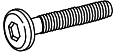



ASSEMBLY TIME

20 MINUTES

PARTS IDENTIFICATION

A	NIGHTSTAND		1PC	D	RIGHT BACK LEG (WITH BR LABEL)		1PC
B	RIGHT FRONT LEG (WITH FR LABEL)		1PC	E	LEFT BACK LEG (WITH BL LABEL)		1PC
C	LEFT FRONT LEG (WITH FL LABEL)		1PC				

HARDWARE IDENTIFICATION

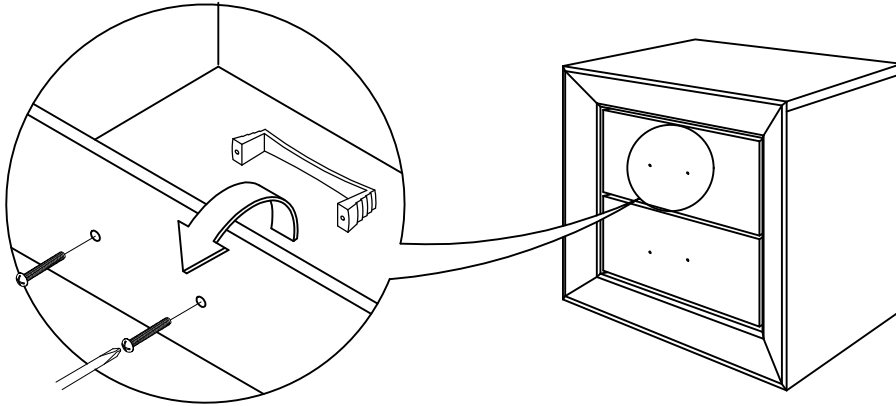
1	BOLT (M6 x 35mm - BLK)		8PCS	3	FLAT WASHER (1/4" x 20mm - BLK)		8PCS
2	LOCK WASHER (1/4" - BLK)		8PCS	4	ALLEN WRENCH (M4 x 65mm - BLK)		1PC

NOTE:

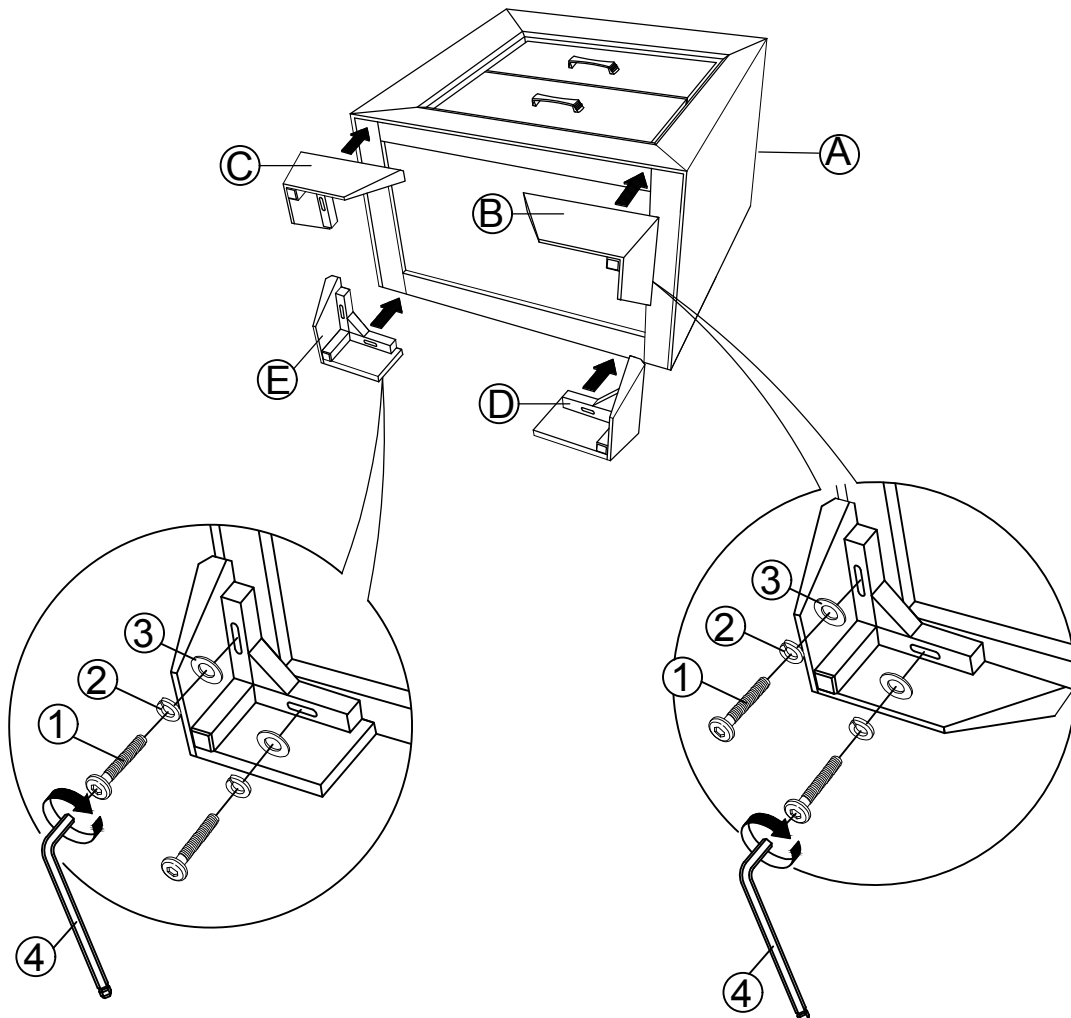
Philips head screw driver in the assembly process ; however, manufacturer does not provide the item

ITEM: **204392**
ASSEMBLY INSTRUCTIONS

STEP 1

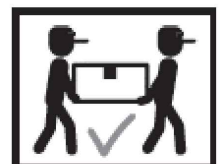
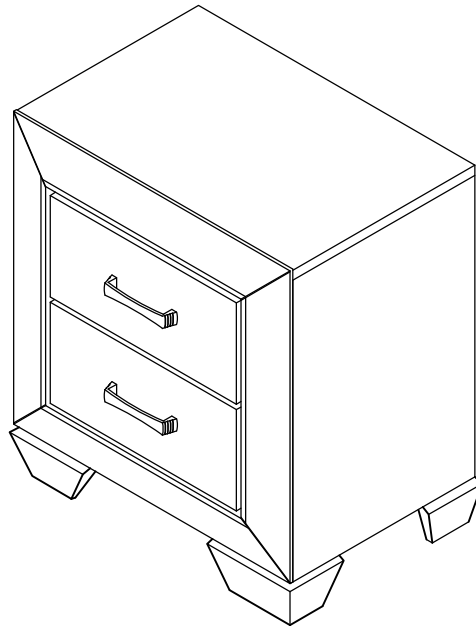


STEP 2



ITEM: **204392**
ASSEMBLY INSTRUCTIONS

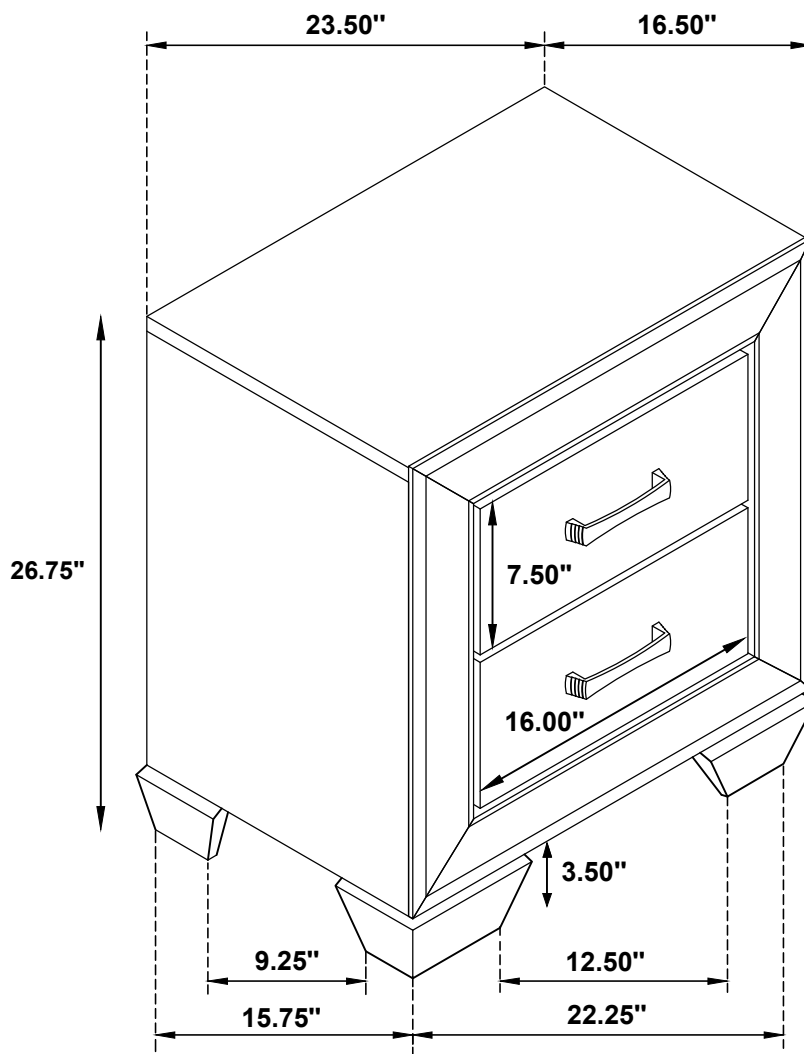
STEP 3
COMPLETE



ITEM: **204392**



Inner Size Of Drawer : 12.75"W X 12.75"D X 5.00"H X 0.25"T



Note : Dimension tolerance $\pm 5\%$



ASSEMBLY INSTRUCTIONS COASTER FINE FURNITURE



Fine Furniture for every stage of life

204393
Dresser

REVISION 0 : 10/30/2015
REVISION 1 : 01/21/2020
REVISION 2 : 09/14/2024

PAGE 1 OF 6

COASTERFURNITURE.COM

ITEM: 204393



ASSEMBLY INSTRUCTIONS

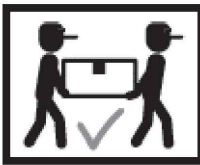
ASSEMBLY TIPS:

- 1 . Remove hardware from box and sort by size.
- 2 . Please check to see that all hardware and parts are present prior to start of assembly.
- 3 . Please follow attached instructions in the same sequence as numbered to assure fast & easy assembly.



WARNING !

- 1 . Don't attempt to repair or modify parts that are broken or defective. Please contact the store immediately.
- 2 . This product is for home use only and not intended for commercial establishment.

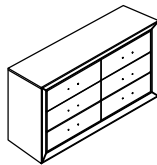


ASSEMBLY TIME

20 MINUTES

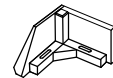
PARTS IDENTIFICATION

A DRESSER



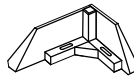
1PC

D RIGHT BACK LEG
(WITH BR LABEL)



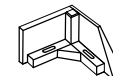
1PC

B RIGHT FRONT LEG
(WITH FR LABEL)



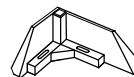
1PC

E LEFT BACK LEG
(WITH BL LABEL)



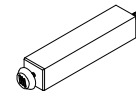
1PC

C LEFT FRONT LEG
(WITH FL LABEL)



1PC

F SUPPORT LEG



1PC

HARDWARE IDENTIFICATION

1 BOLT
(M6 x 35mm - BLK)



8PCS

3 FLAT WASHER
(1/4" x 20mm - BLK)



8PCS

2 LOCK WASHER
(1/4" - BLK)



8PCS

4 ALLEN WRENCH
(M4 x 65mm - BLK)



1PC

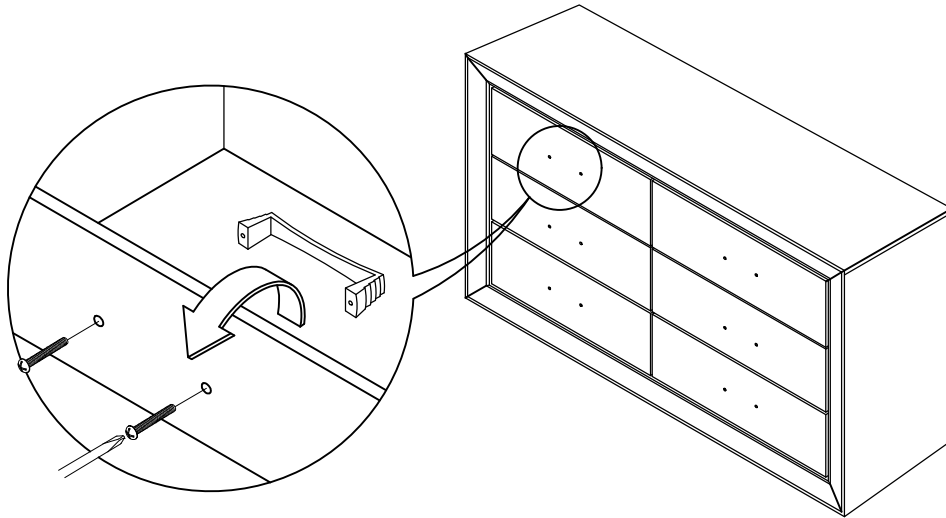
NOTE:

Philips head screw driver in the assembly process ; however, manufacturer does not provide the item

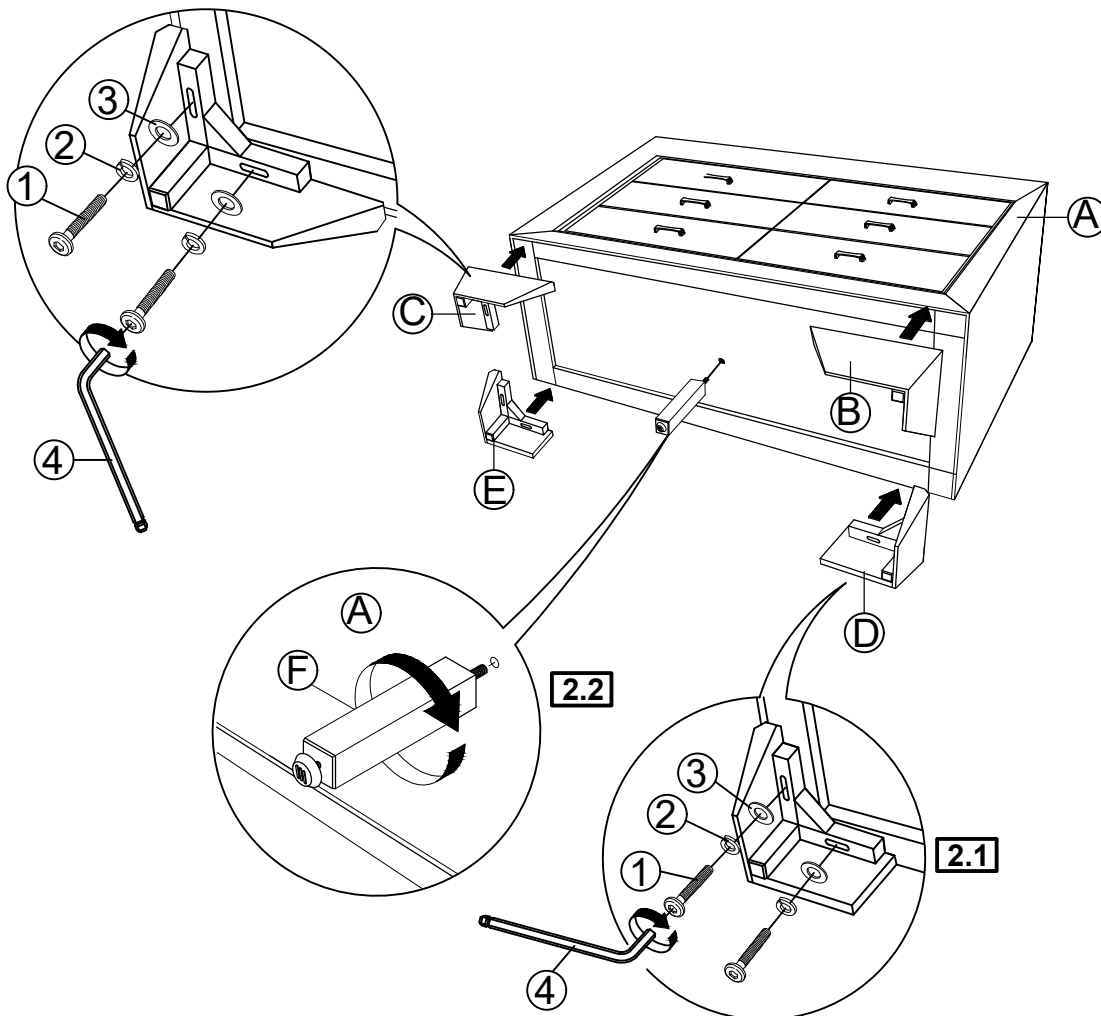
ITEM: **204393**
ASSEMBLY INSTRUCTIONS



STEP 1



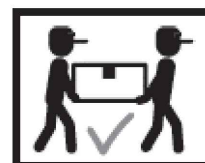
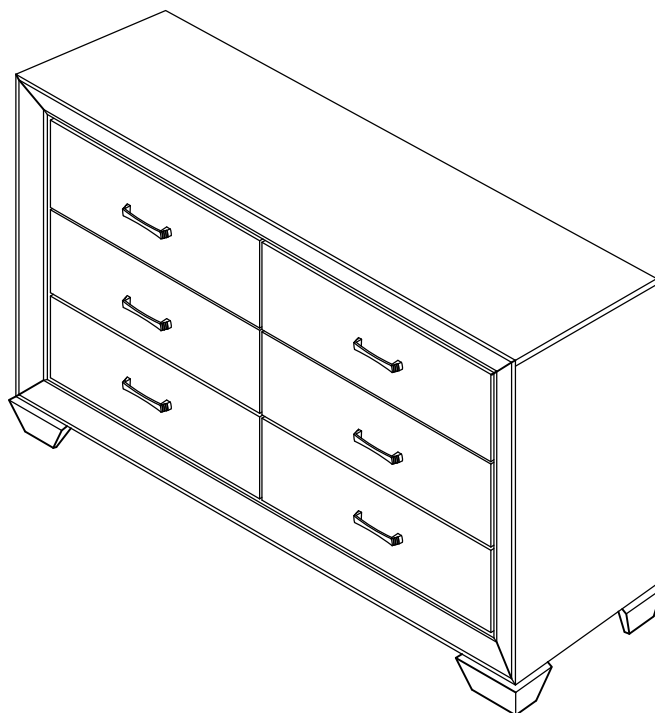
STEP 2



ITEM: **204393**
ASSEMBLY INSTRUCTIONS



STEP 3
COMPLETE



ITEM: **204393**

ANTI-TIPPING INSTALLATION INSTRUCTIONS

FURNITURE TIPPING RESTRAINT



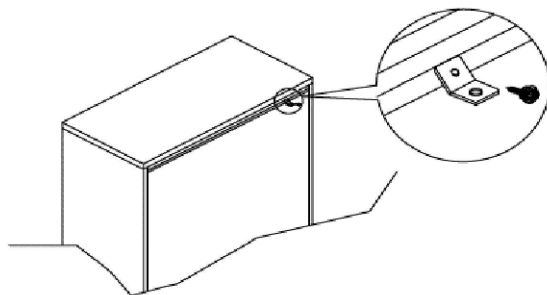
WARNING

Injury may result from tipping furniture.
This restraint may protect against tipping furniture.
Do not allow children to climb on furniture.
This restraint is not a substitute for proper adult supervision.
Failure to detach this restraint before moving the furniture may result in injury and damage.

This restraint must be screwed to a wood stud on the wall, using the long screw provided.

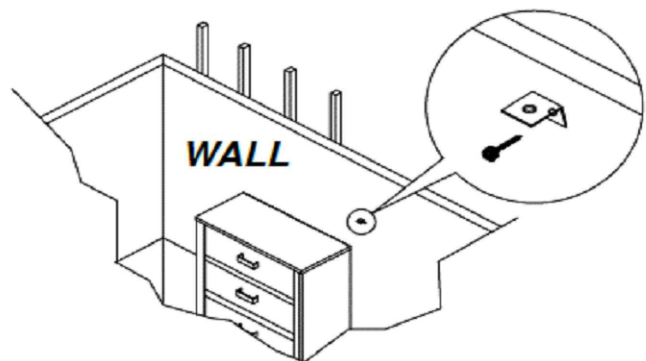
STEP 1

Secure the bracket to the back top of the unit, using the short screw provided, as shown in the drawing.



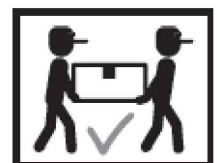
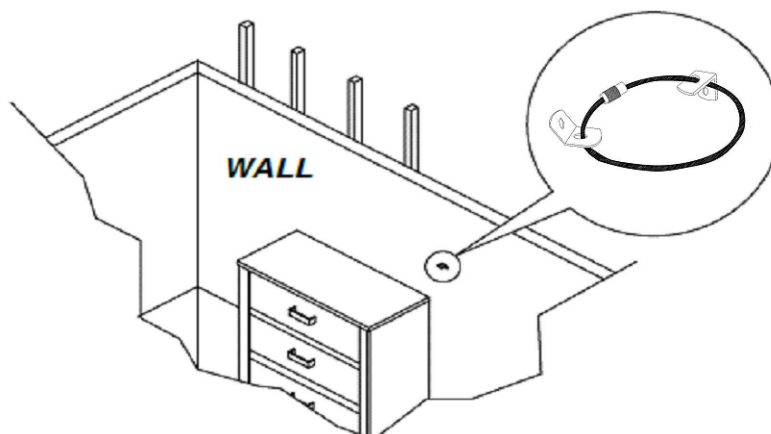
STEP 2

Locate the wood stud on the wall and secure the other bracket 2 inches below the back of the unit, using the long screw.



STEP 3

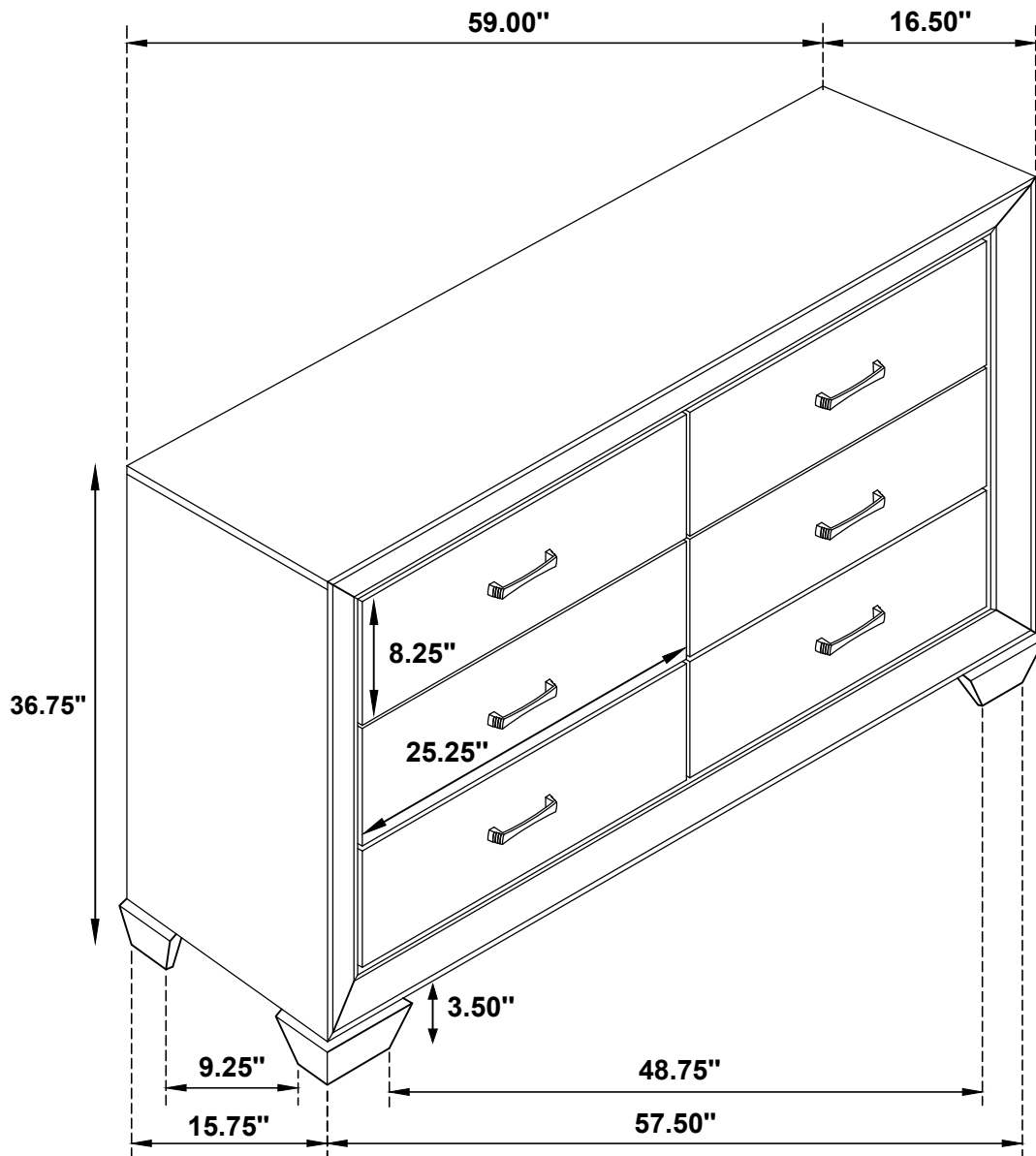
Place the furniture into position so both mounting brackets are vertically in line. Lace the threaded end of the restraint strap through the hole in each mounting bracket. Bring both ends together and rotate the thumb nut onto the threaded end until tight. Ensure that the restraint strap is securely laced and locked.



ITEM: **204393**



Inner Size Of Drawer : 23.25"W X 12.75"D X 5.00"H X 0.25"T



Note : Dimension tolerance $\pm 5\%$



ASSEMBLY INSTRUCTIONS COASTER FINE FURNITURE



Fine Furniture for every stage of life

204394
Mirror

REVISION 0 : 06/17/2015
REVISION 1 : 06/24/2016
REVISION 2 : 01/21/2020

PAGE 1 OF 4

COASTERFURNITURE.COM

ITEM: **204394**



ASSEMBLY INSTRUCTIONS

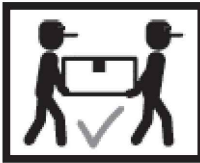
ASSEMBLY TIPS:

- 1 . Remove hardware from box and sort by size.
- 2 . Please check to see that all hardware and parts are present prior to start of assembly.
- 3 . Please follow attached instructions in the same sequence as numbered to assure fast & easy assembly.

WARNING !



- 1 . Don't attempt to repair or modify parts that are broken or defective. Please contact the store immediately.
- 2 . This product is for home use only and not intended for commercial establishment.

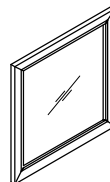


ASSEMBLY TIME

20 MINUTES

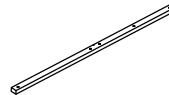
PARTS IDENTIFICATION

A MIRROR



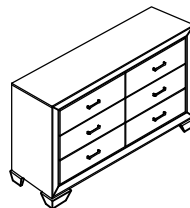
1PC

B MIRROR SUPPORT
(PACKAGED WITH DRESSER)



2PCS

C DRESSER
FROM BOX ITEM#204393



1PC

HARDWARE IDENTIFICATION

1 PAN HEAD SCREW
(M4 X32mm - BLK)



8PCS

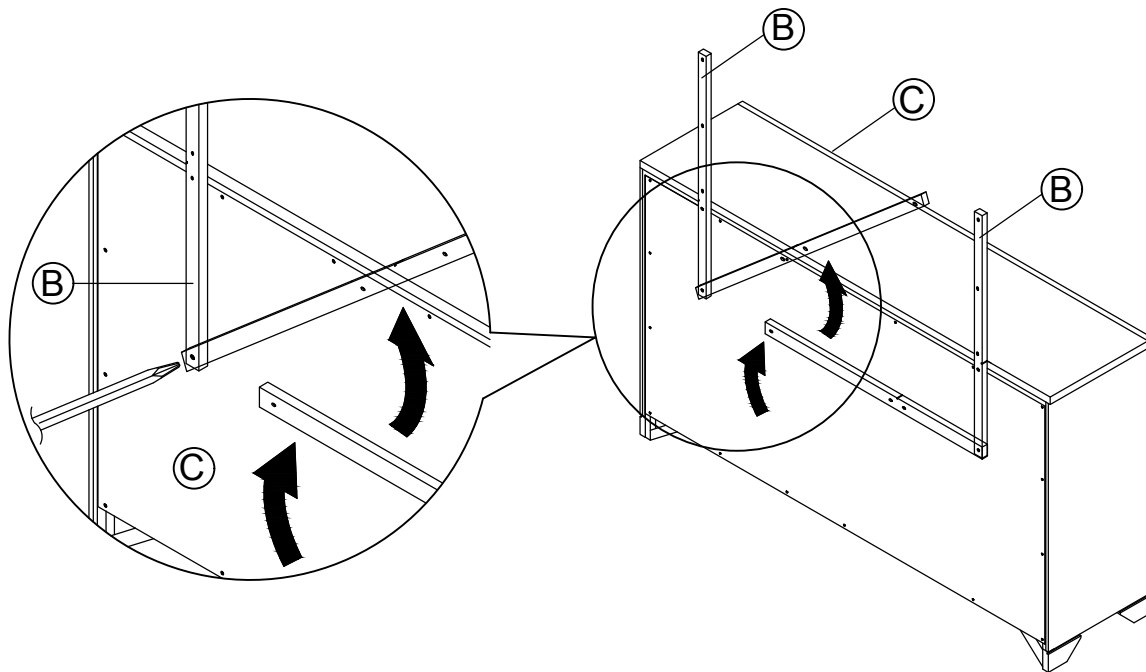
NOTE:

Philips head screw driver in the assembly process ; however, manufacturer does not provide the item

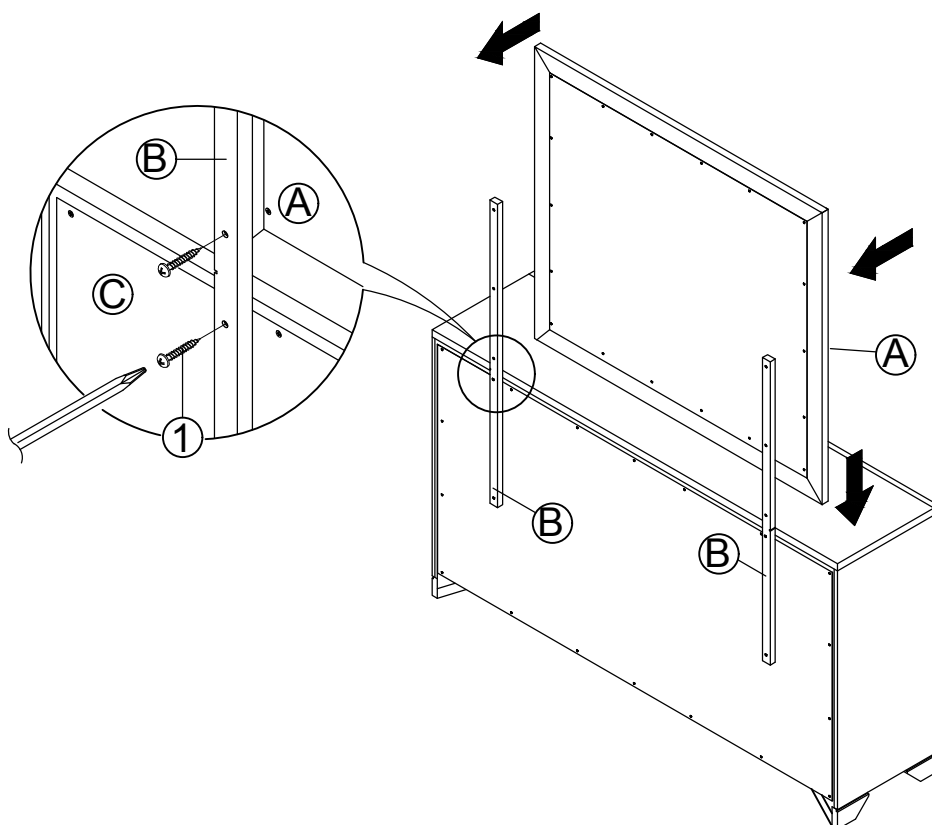
ITEM: **204394**
ASSEMBLY INSTRUCTIONS



STEP 1



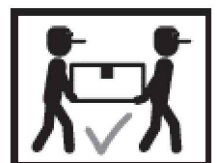
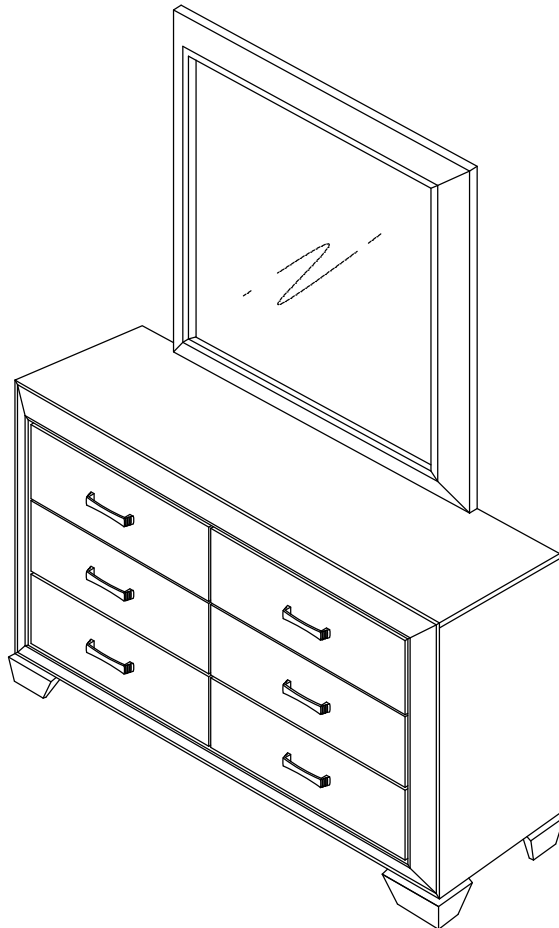
STEP 2



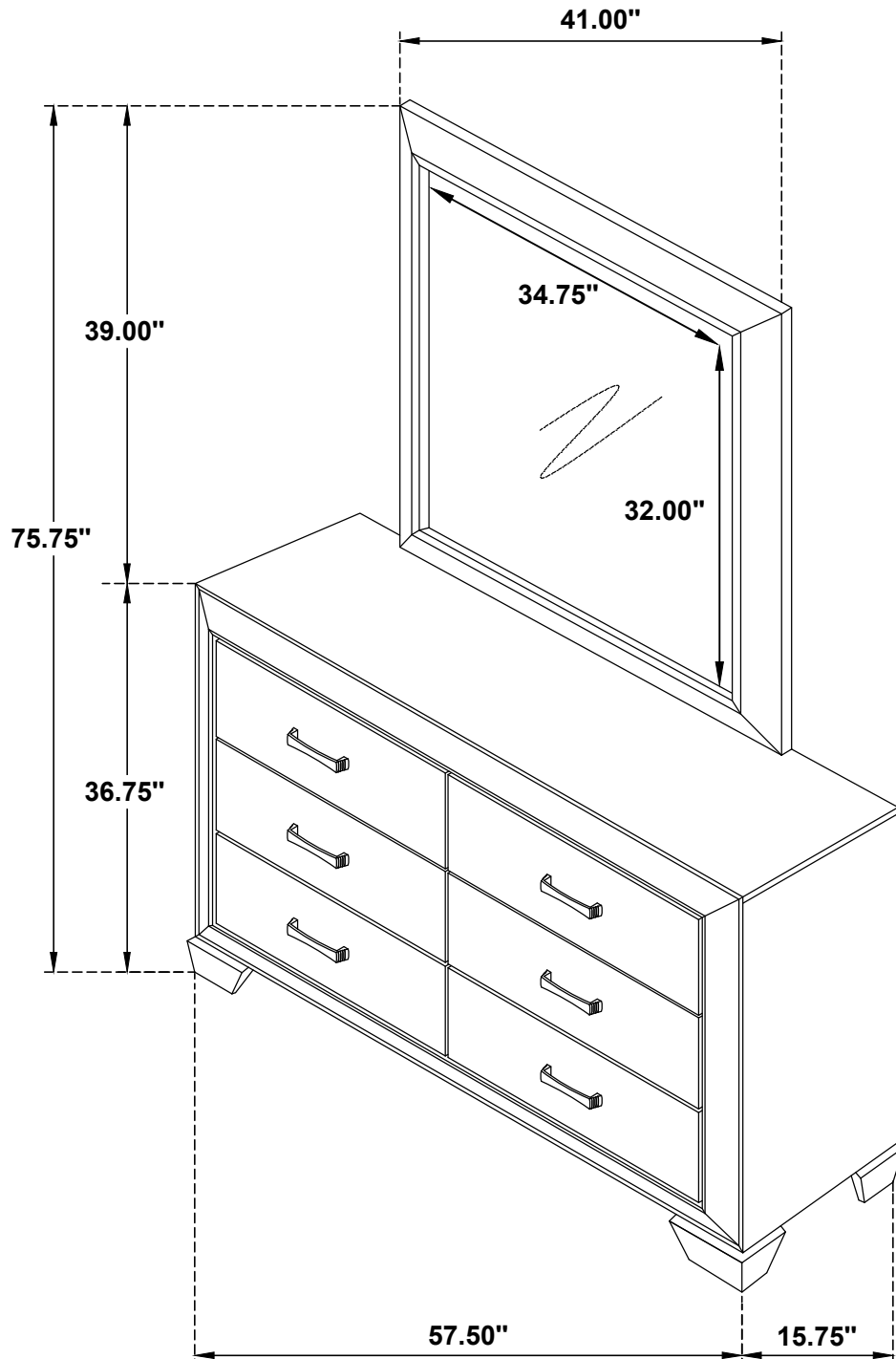
ITEM: **204394**
ASSEMBLY INSTRUCTIONS



STEP 3
COMPLETE



ITEM: **204394**



Note: Dimension tolerance $\pm 5\%$