

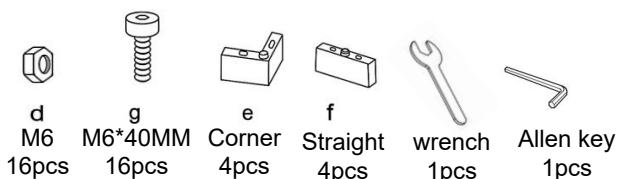
OUTDOOR CONVERSATION SET

INSTRUCTION MANUAL

BEFORE YOU START

1. Our Patio Furniture may come in **multiple boxes**. Please wait until all package arrive. Email us if tracking needed at (Patiofurniture@service@gmail.com)
2. Our conversion set is pre-assembled ready-to-use. Only assembly needed is the leg
3. Please DO NOT fix screws tightly until all screws and holes have been connected successfully. Thread the screws a little bit first, leave them loose until ALL screws are in, and then tighten.
4. Please DO NOT discard packing boxes before all parts are assembled successfully.
5. Please email us (Patiofurniture@service@gmail.com) with PICTURES of parts and SKU# info on box marks if there is any trouble with assembly or missing or damaged parts.
6. To enhance lifespan of patio furniture, please cover the set and put cushions indoor during rainy or snowy days, or long term no use

Install Legs For 2 Chairs



- According to Figure 1, install the table legs at the bottom
- Place "e" and "f" in the corresponding positions, then use spanner to fix "d" in the bottom of the rattan strip. Use an allen key to insert and tighten "g" into the holes
- There are 4 positions in total per chair. Replicate the step for 2nd chair

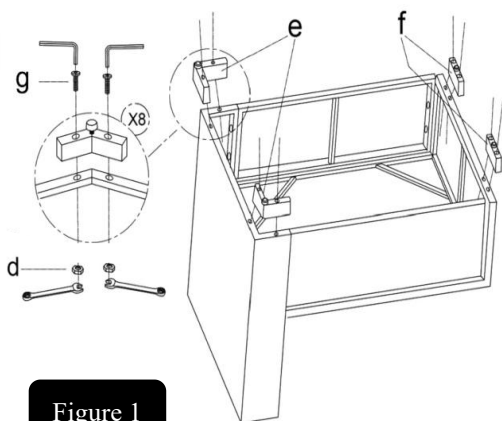


Figure 1



Optional Step:

- We provide 2 Clips. This is used to combine 2 chairs together when needed.
- Each clip can combine 2 chairs at one side

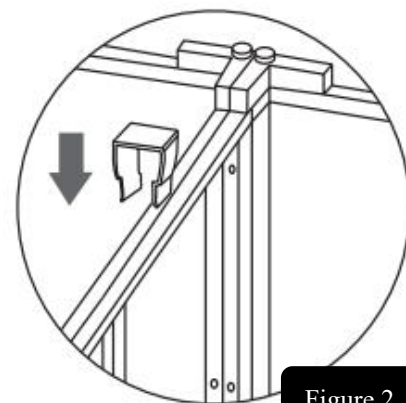


Figure 2