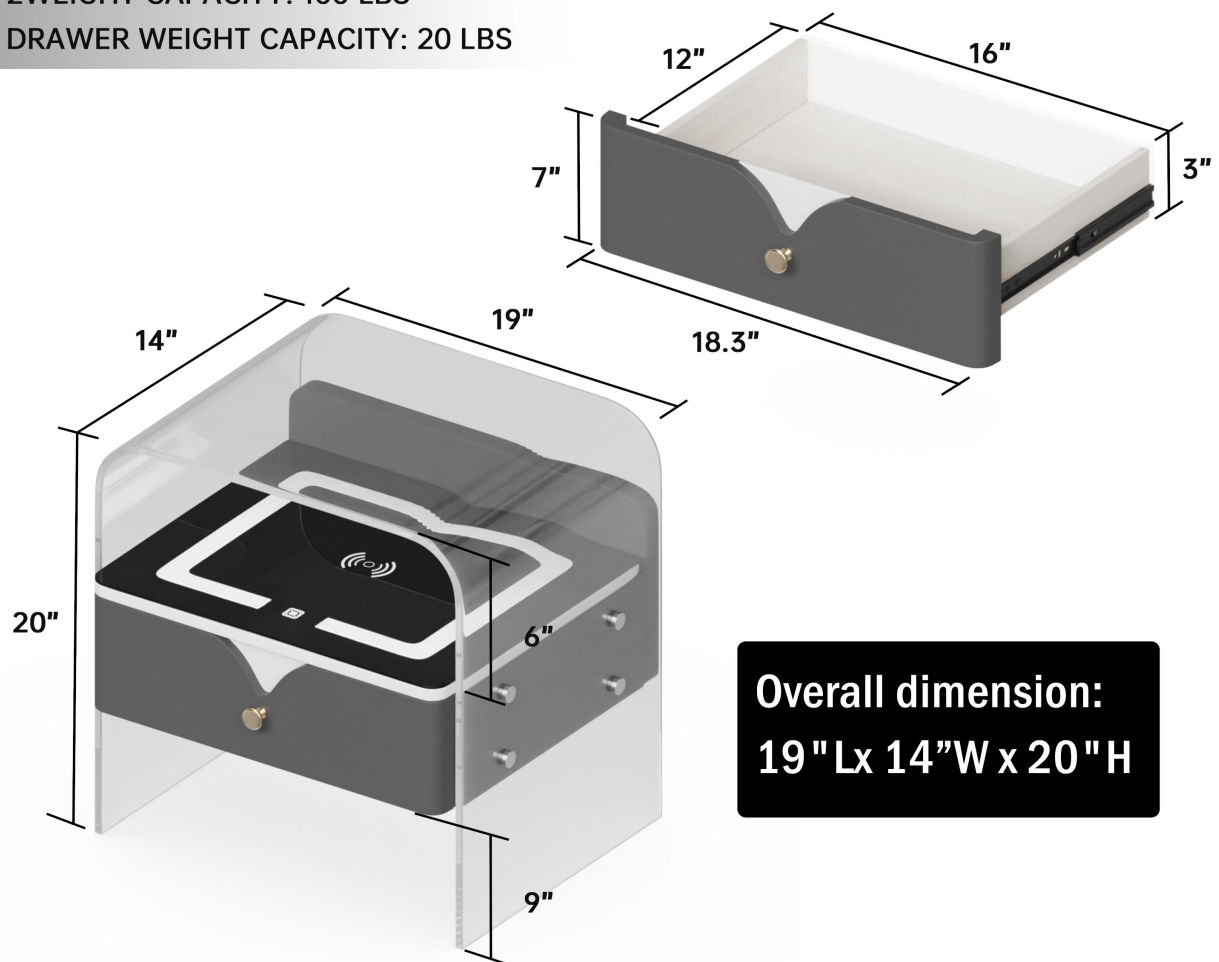


APPROXIMATE SIZE

2WEIGHT CAPACITY: 100 LBS

DRAWER WEIGHT CAPACITY: 20 LBS



**Overall dimension:
19" L x 14" W x 20" H**