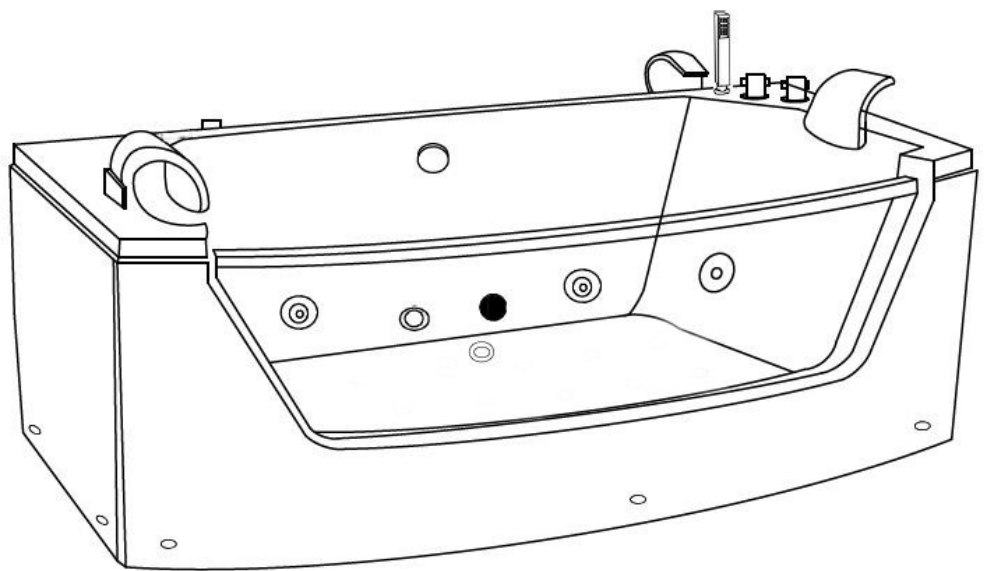


# Operating Instruction Manual



**Size:1750x850x600mm**

# Catalogue

.1Safety Notes.....	3
1.1.Precautions ! .....	3
.2Introduction.....	4
2.1.Appearance.....	4
2.2.Working Principle.....	5

## **.1 Safety Notes**

### **1.1.**

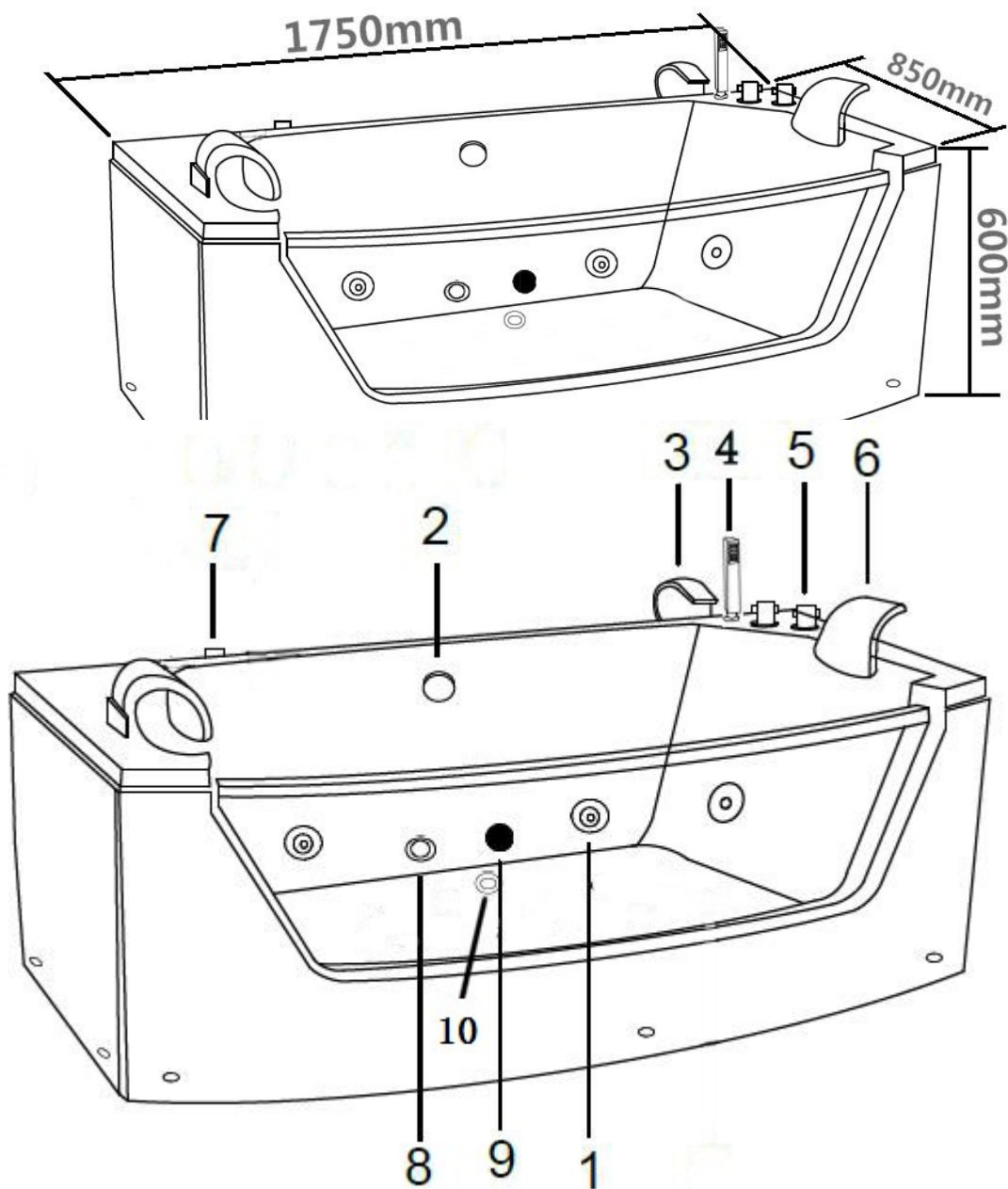
#### **Precautions !**

- ◆ Please read this instruction carefully before using.
- ◆ Children need to be accompanied by an adult to use the product.
- ◆ Please do not disassemble the products' skirt freely if you are non-professionals to avoid damage to the products.
- ◆ Please do not disassemble or fix or maintain the electrical part yourself if you are non-professionals to avoid accident.
- ◆ There must be reliable grounding measures before accessing the power supply.
- ◆ It is recommended to have glass glue on the wall side to prevent water from dropping below the products.

## .2 Introduction

### 2.1.

### Appearance



Sequence	Brief introduction	Number (PCS)	Sequence	Brief introduction	Number (PCS)
1	60'Jets	4	7	Air Switch	1
2	Drain Switch	1	8	Underwater LED Light	1
3	Water Outlet	1	9	Return Water	1
4	Hand Shower	1	10	Drain	1
5	Faucet	2			
6	Pillow	2			

## 2.2.

### Working Principle

As the main parts of this product, electrical parts contain one 0.70KW one speed hydro massage Jet pump which provide you with comfortable and stable water pressure. It is allowed to adjust water pressure and water flow to meet the requirements of different customers with the switches on the edge of the bathtub. Besides, this product is also equipped with underwater LED light and hope man-machine interactive convenient operation can bring you a happy mood.

Supply Voltage : AC220-AC240V 50HZ

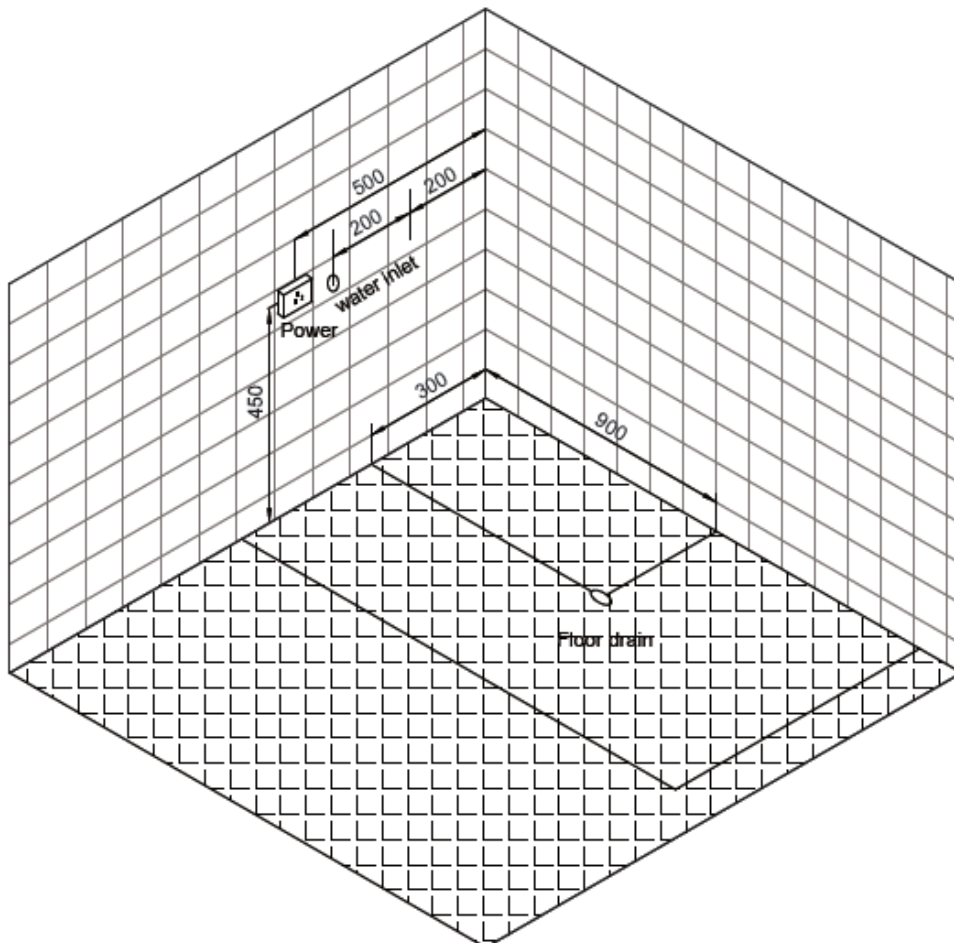
### List of major electrical appliances :

Name	Rated voltage	Rated current (A)	Rated power (KW)	Number
WATER PUMP	AC220-AC240V 50HZ	3.1	0.70	1

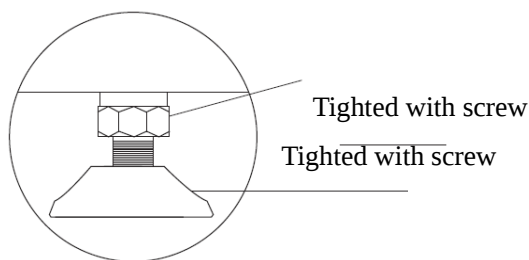
### .3 Installation Instruction

#### 3.1. Water And Electricity Installation

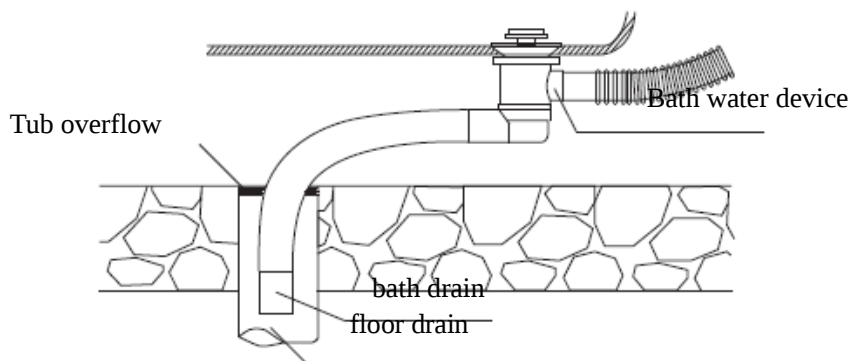
##### Preparation



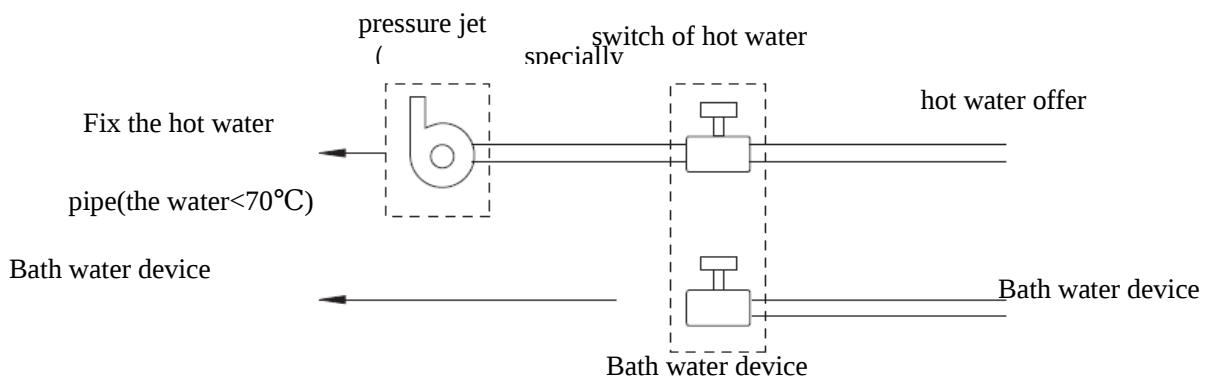
### 3.1、 Adjust bath



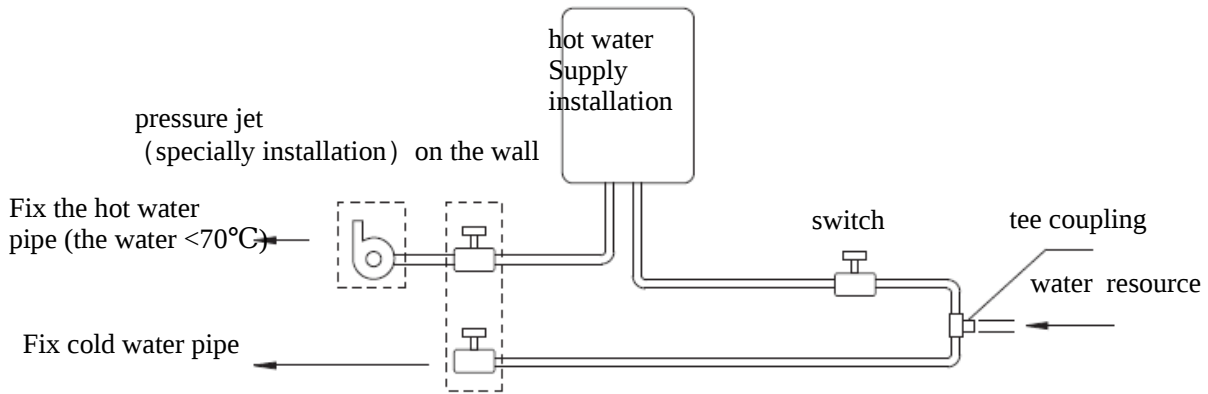
### 3.2、 Sealing the drain



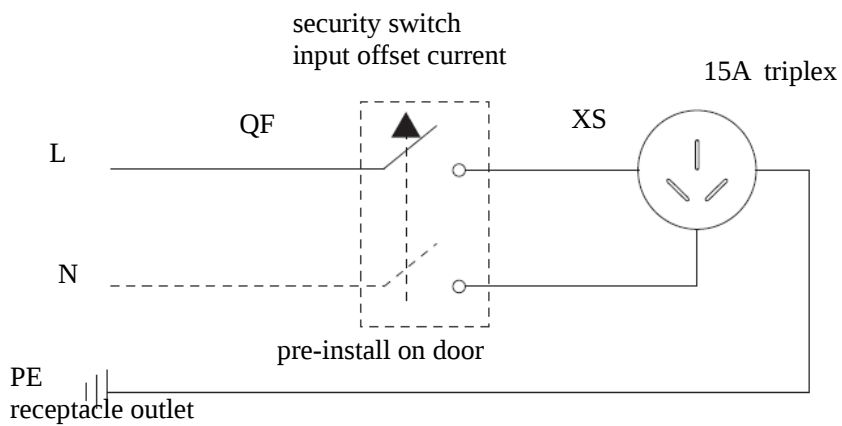
### 3.3、 Hot water supply installation



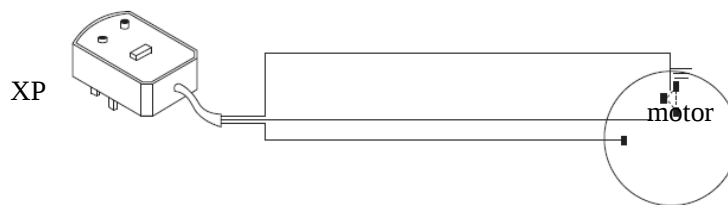
### 3.4、 Water supply installation



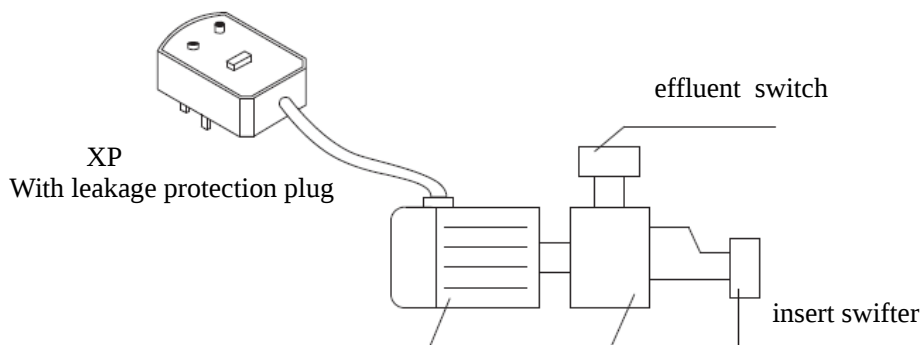
### 3.5、 Circuit installation



### 3.6、 Without computer control plate installation



### 3.7、 Motor control schematic



motor

impeller

### 3.8、 Faucet installation diagram

