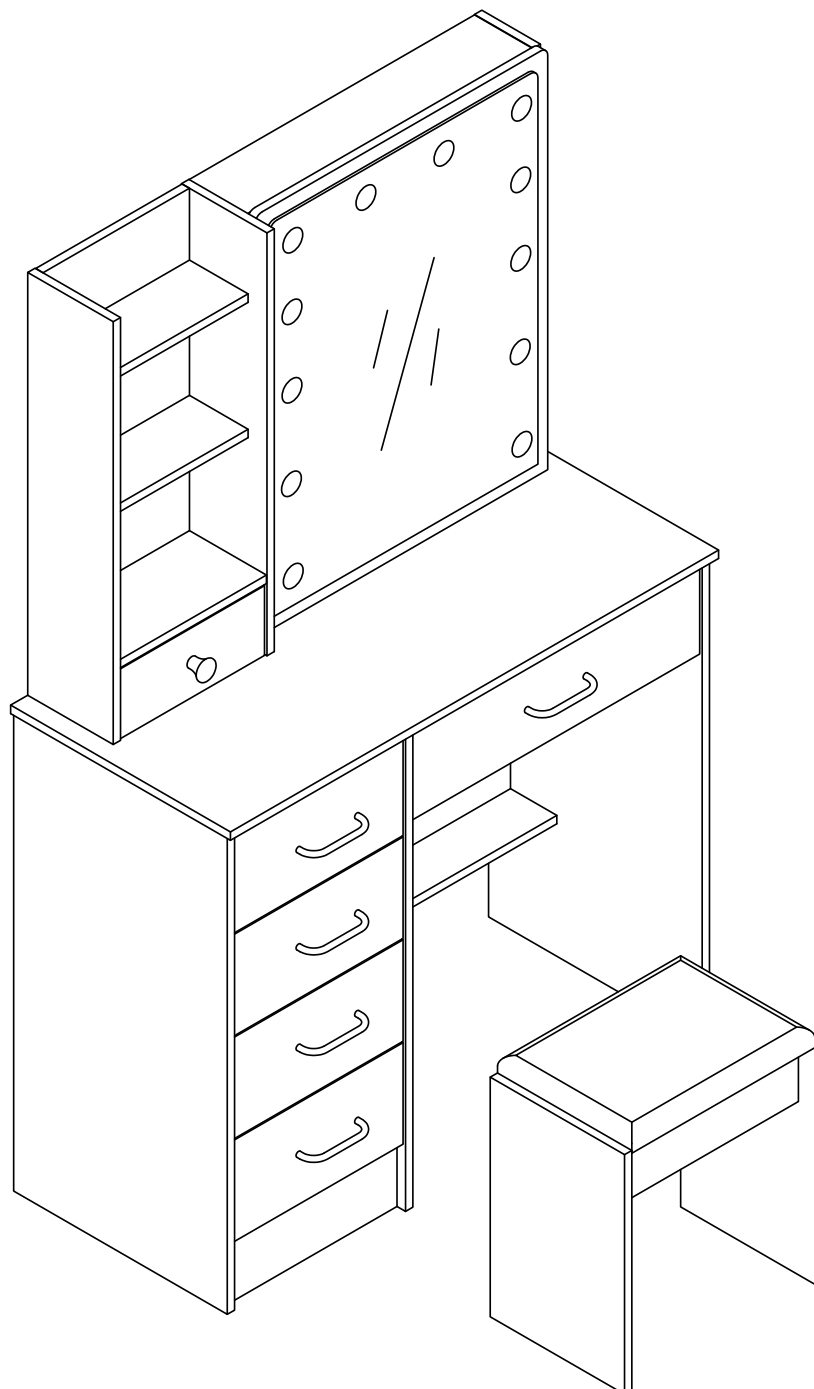
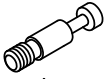

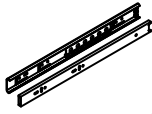
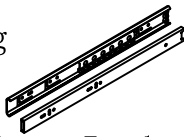





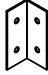






Vanity Table

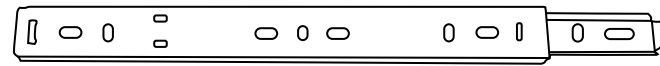


A, B, G, H, C, D installation guide

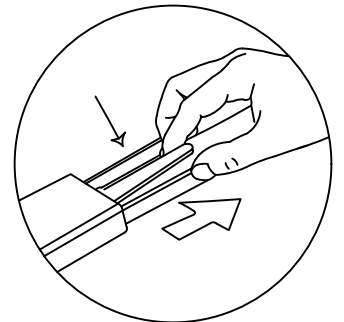
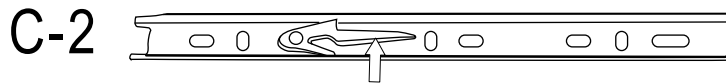
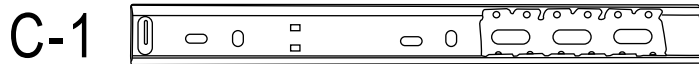
Accessories

 Three-in-one screw A*81	 Three-in-one nut B*81	 drawer Track C*10		 Long mirror Track C2*2	
 Small Screw D*70	 Handle E*5	 Handle Screw F*11	 Two-in-one nut G*11	 Two-in-one screw H*11	 Comer code I*2
 Bulb K*1	 Stool foot nail M*10	 Small Screw X*20	 Handle Y*1		

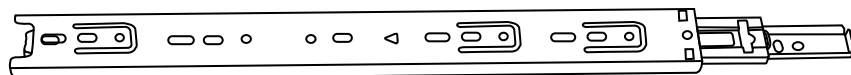
Drawer Track C



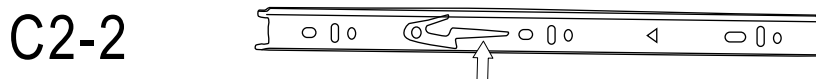
You need to pull them apart before assembly



Mirror Track C2

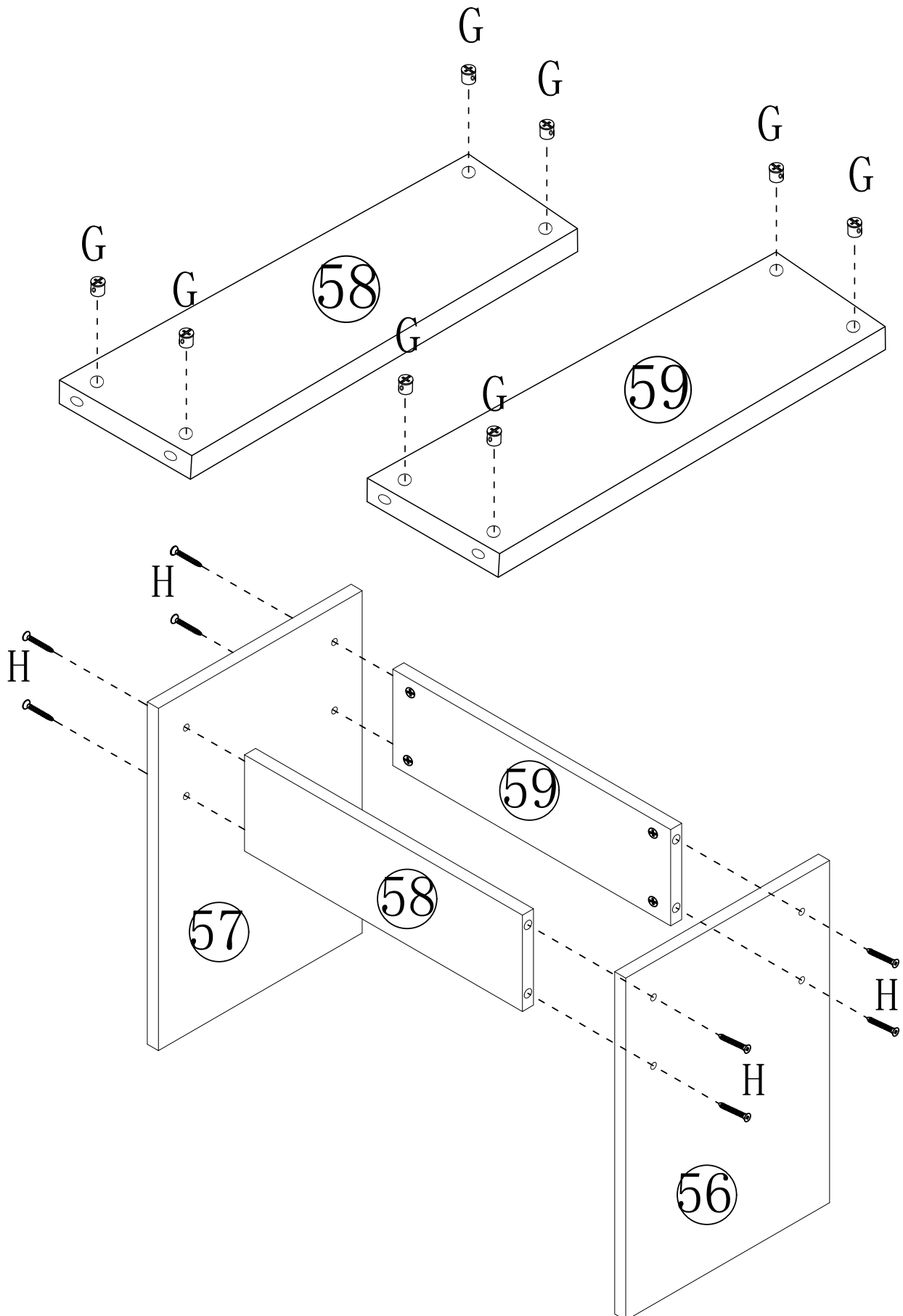


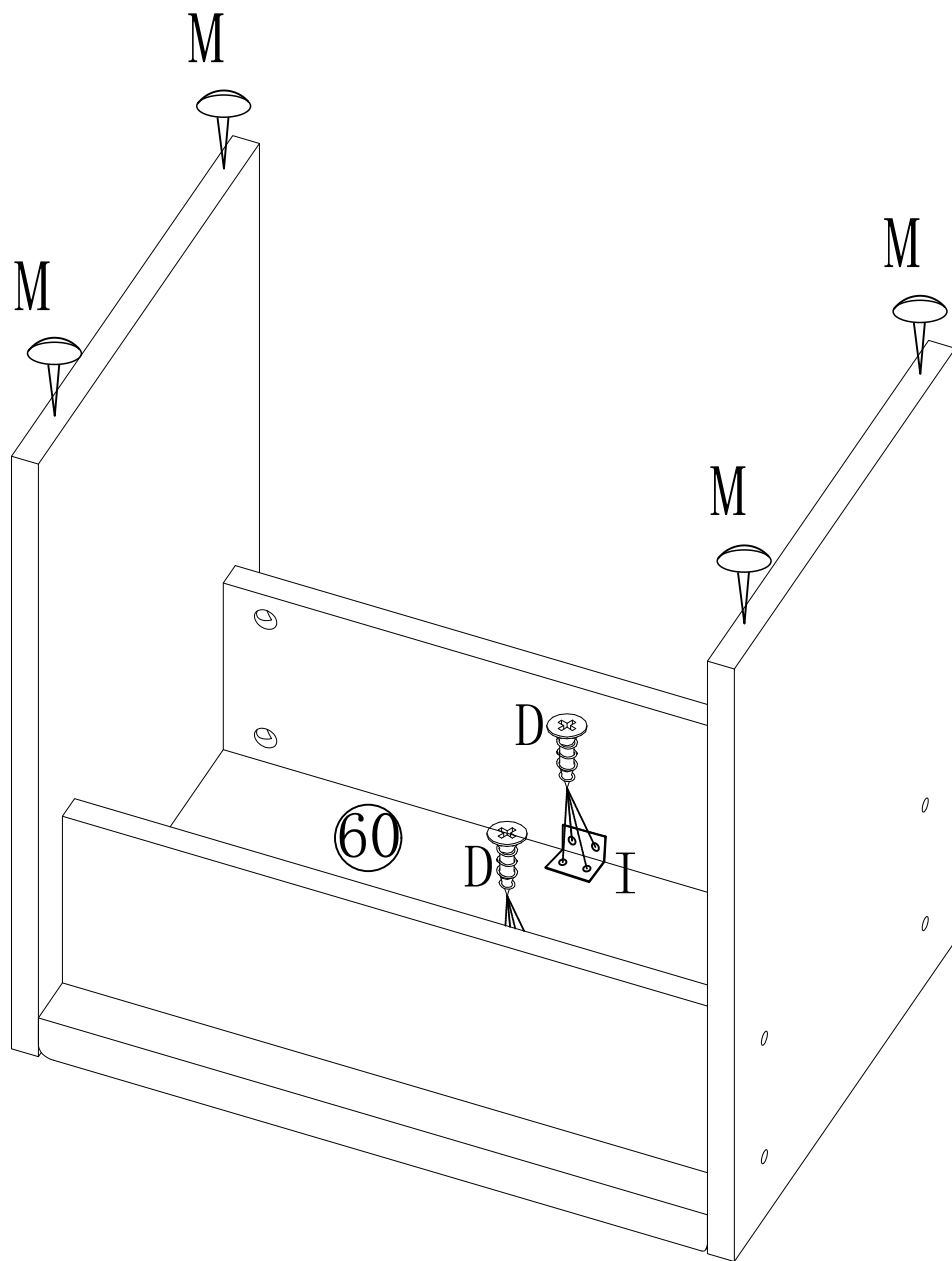
You need to pull them apart before assembly



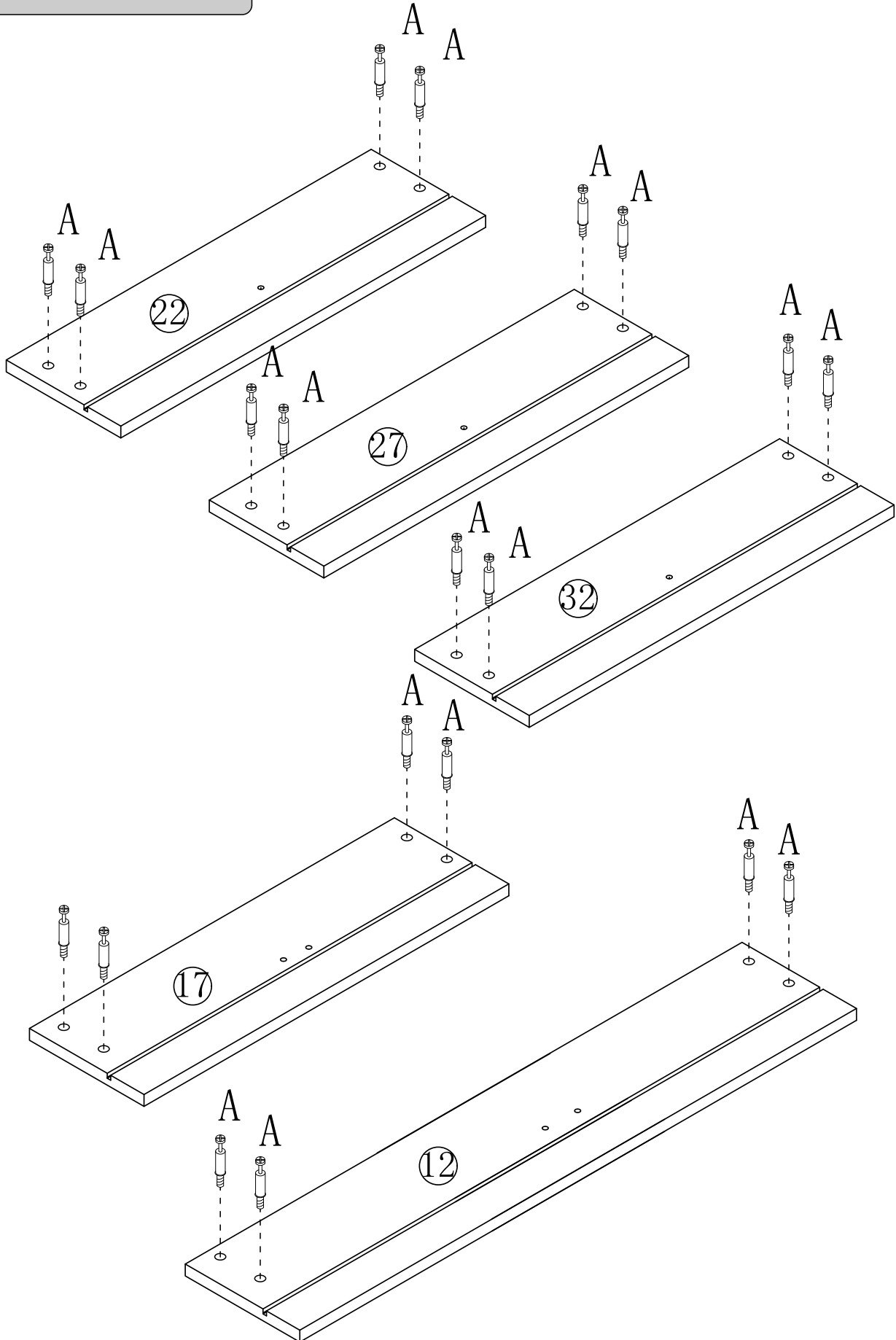
Part 1: Stool

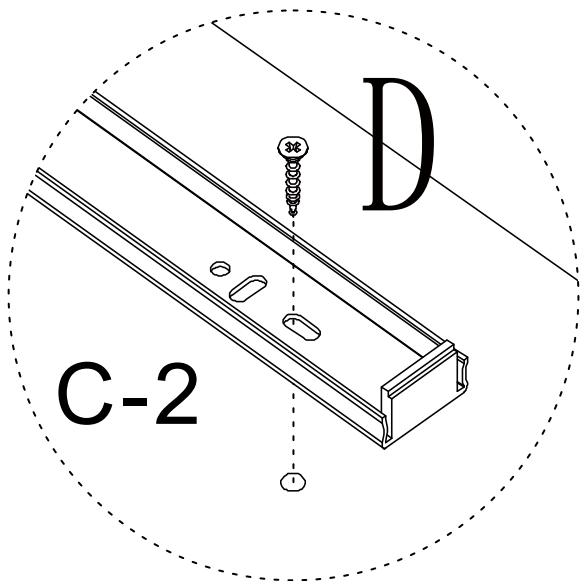
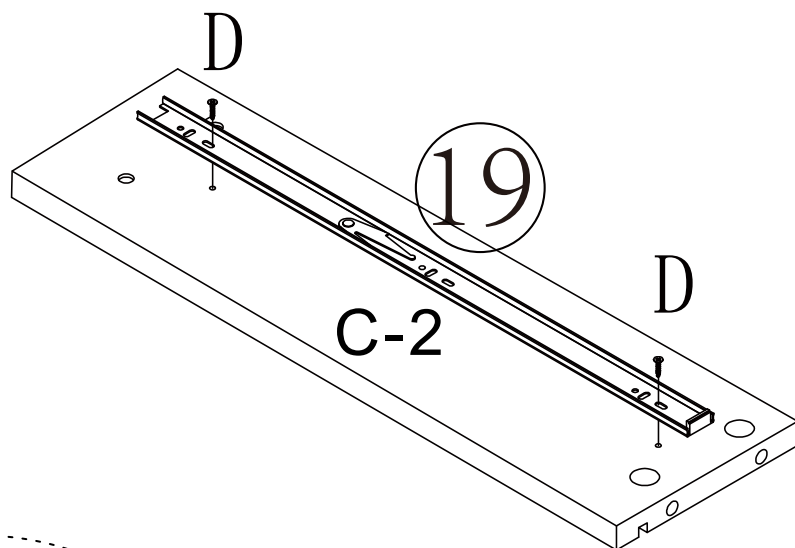
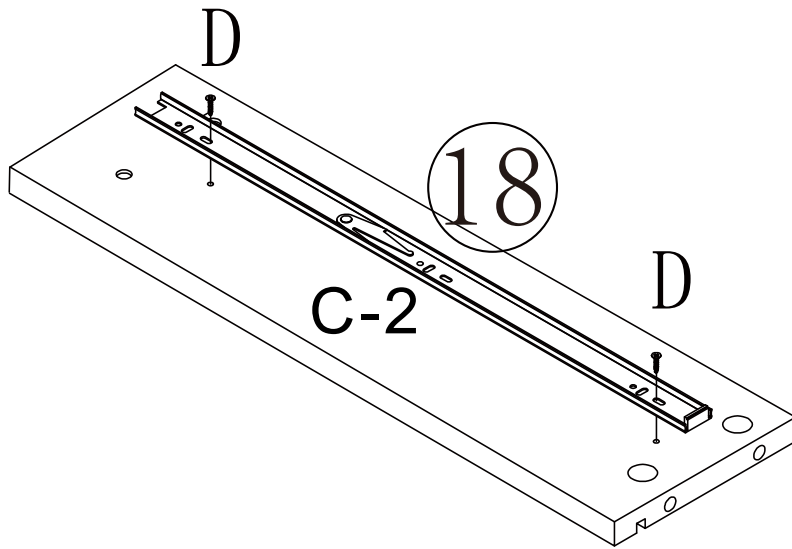
Accessories needed: 56, 57, 58, 59, 60, H, G, I, D, M



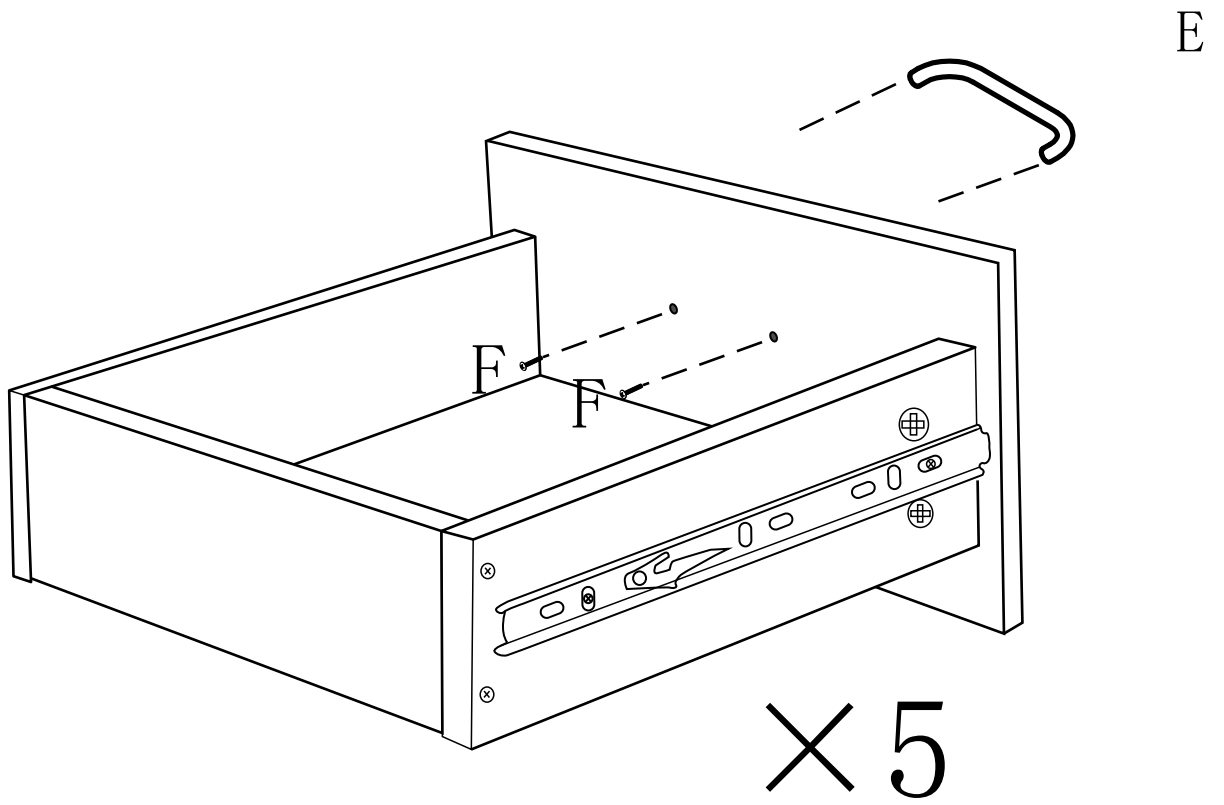


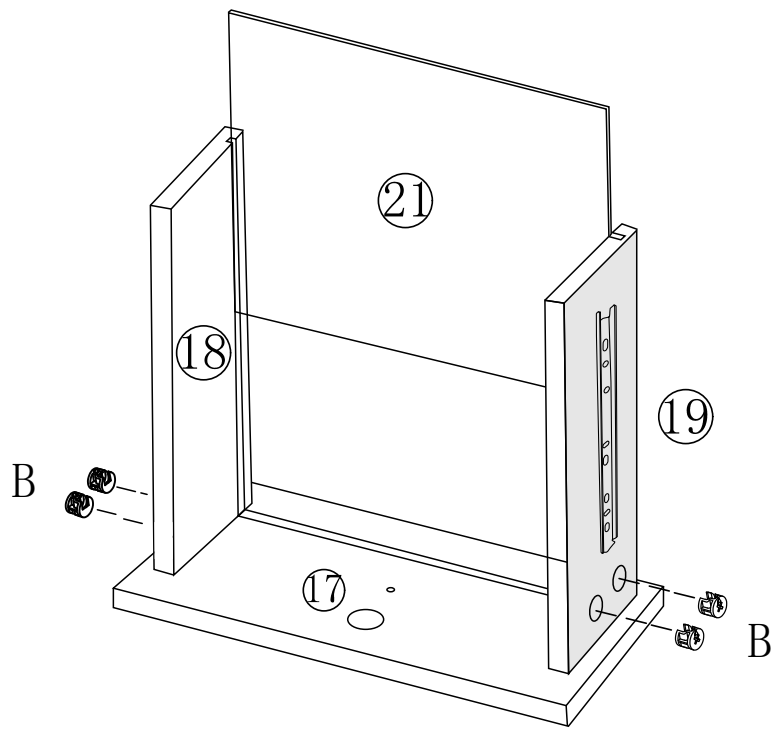
Part 2: 6 Drawers



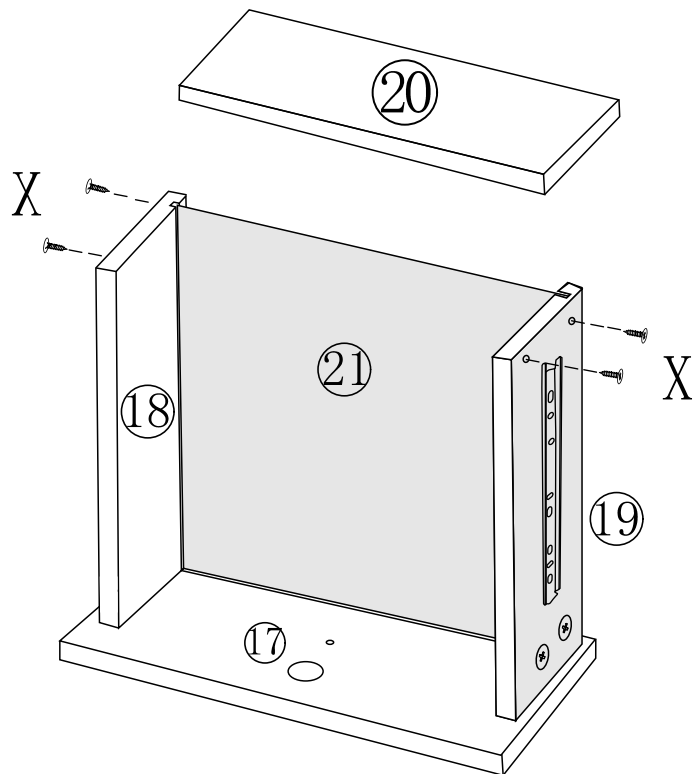


Make sure your screw D aim at the pre drilled hole.

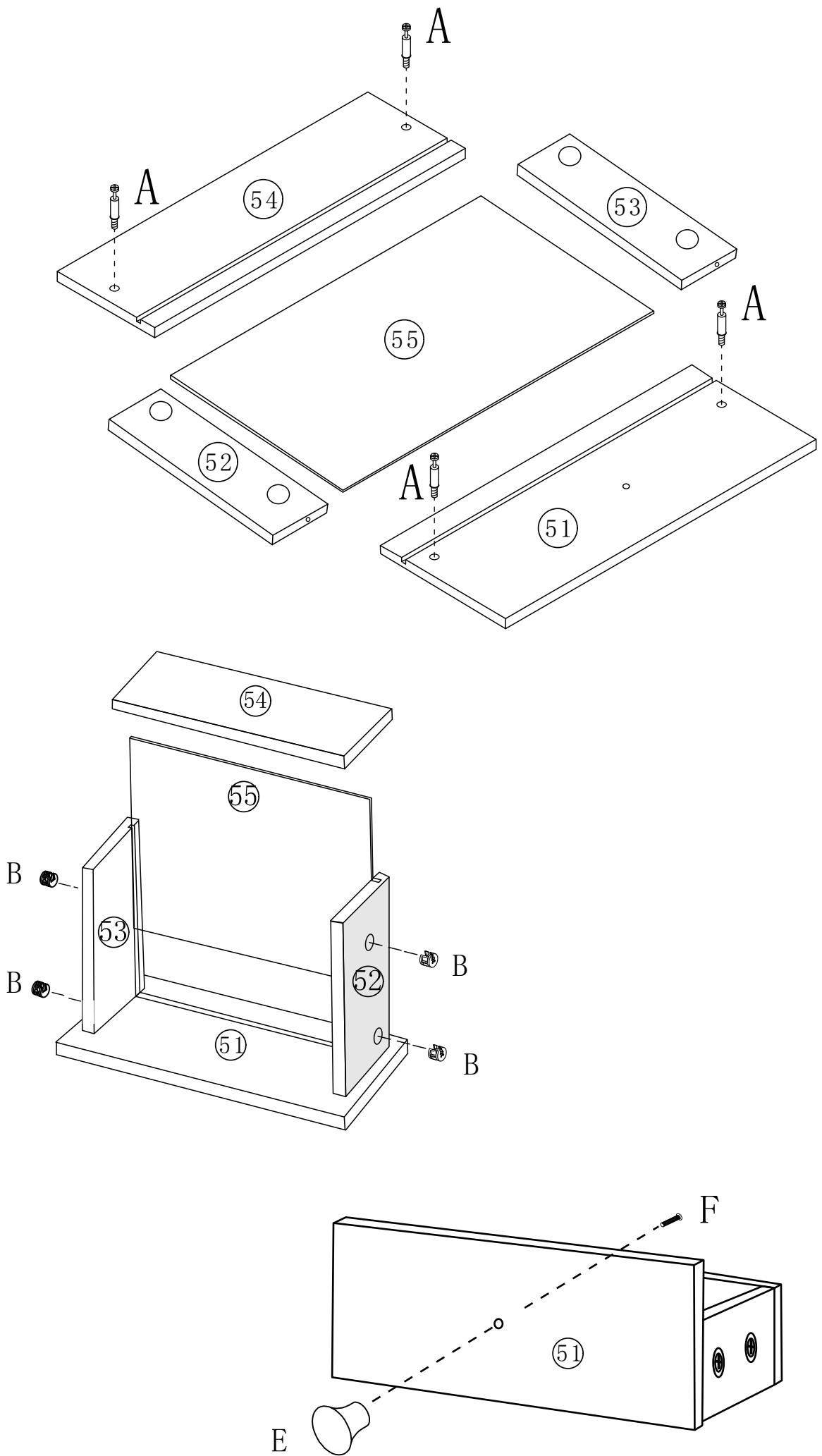




× 5

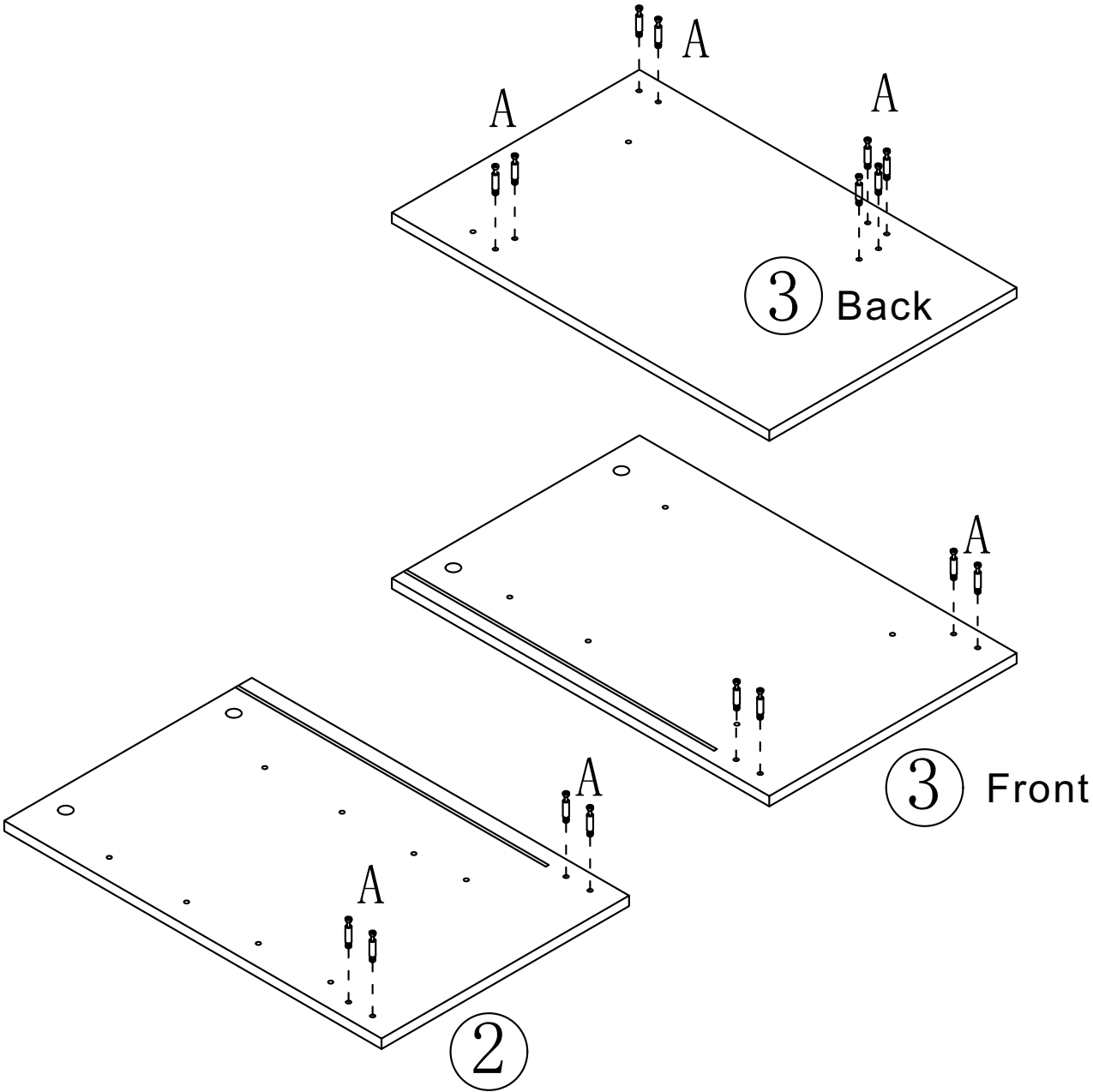


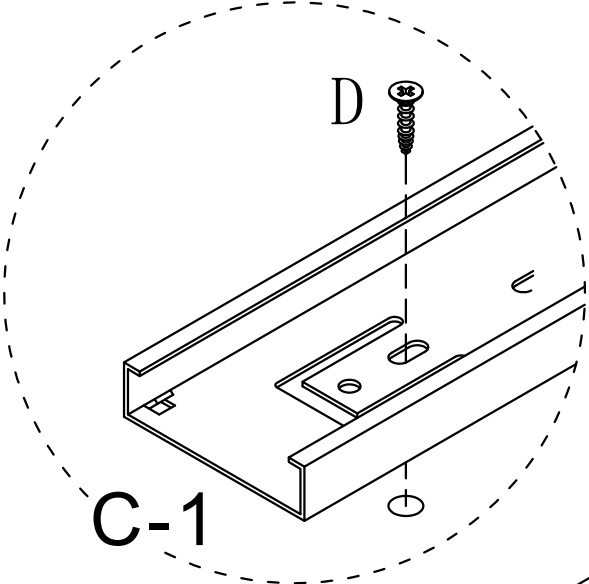
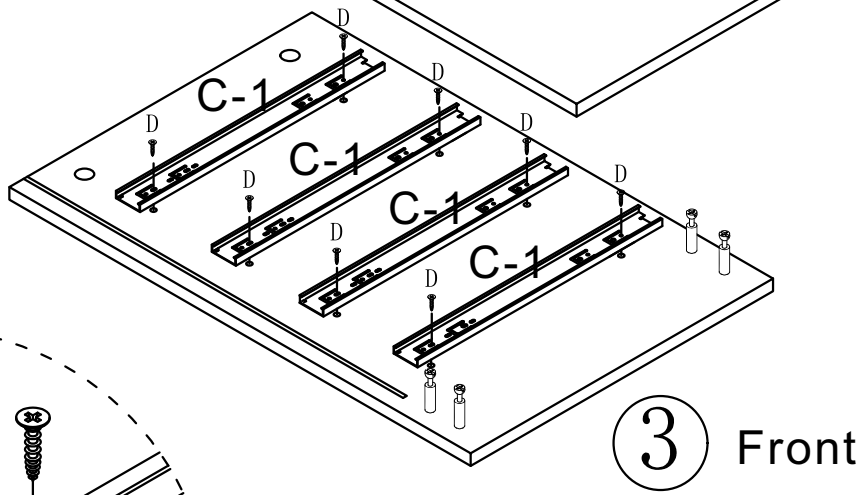
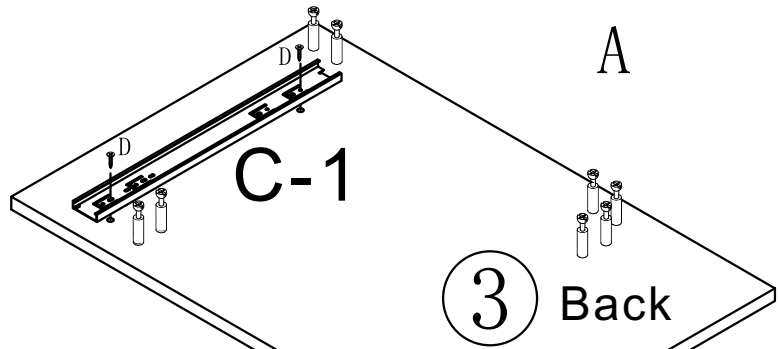
× 5



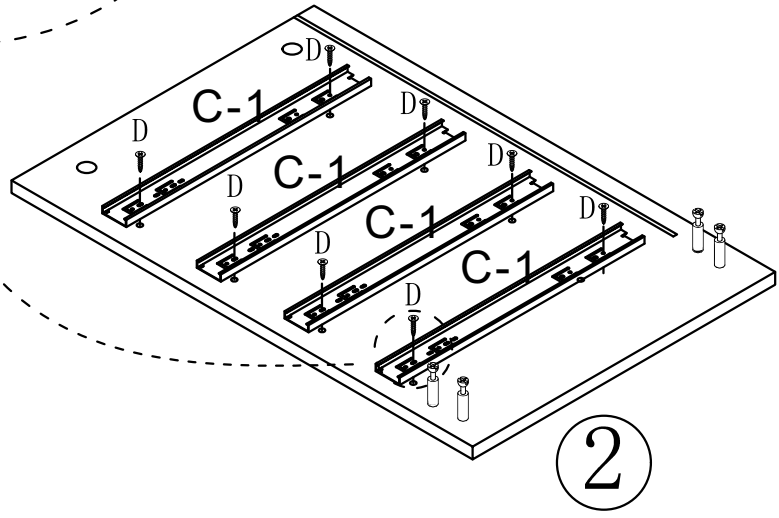
Part 3: Desk

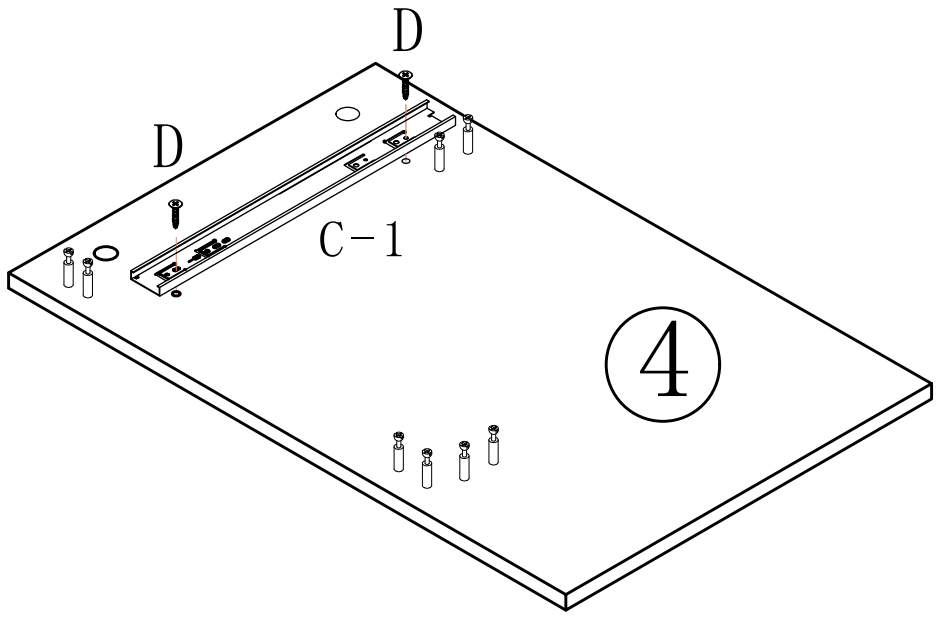
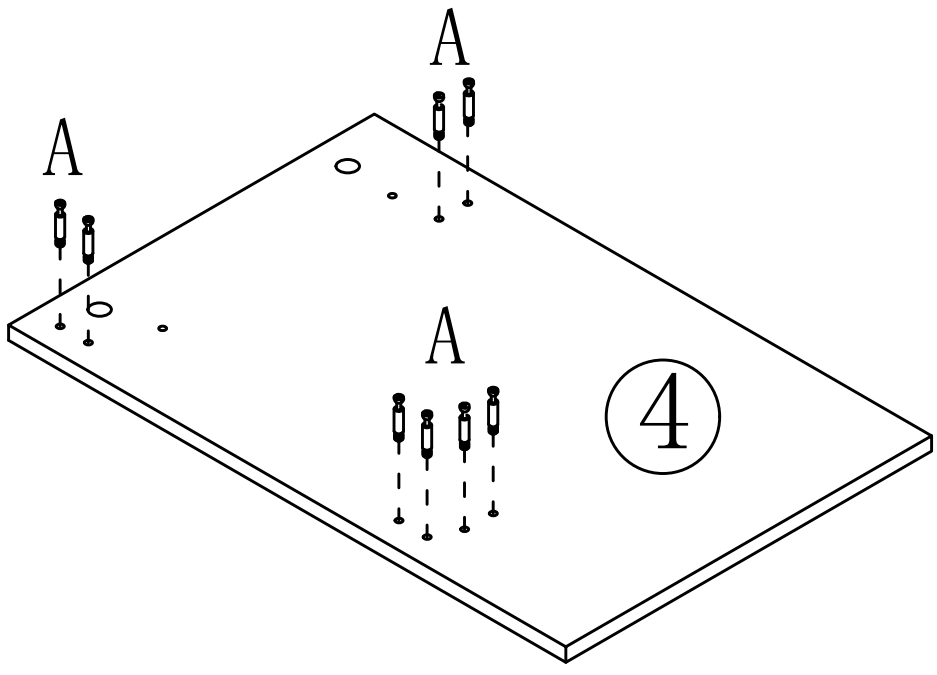
Accessories needed: 1, 2, 3, 4, 5, 6, 7, 8, 9, 10, 11 ; A, C1, D, B, M

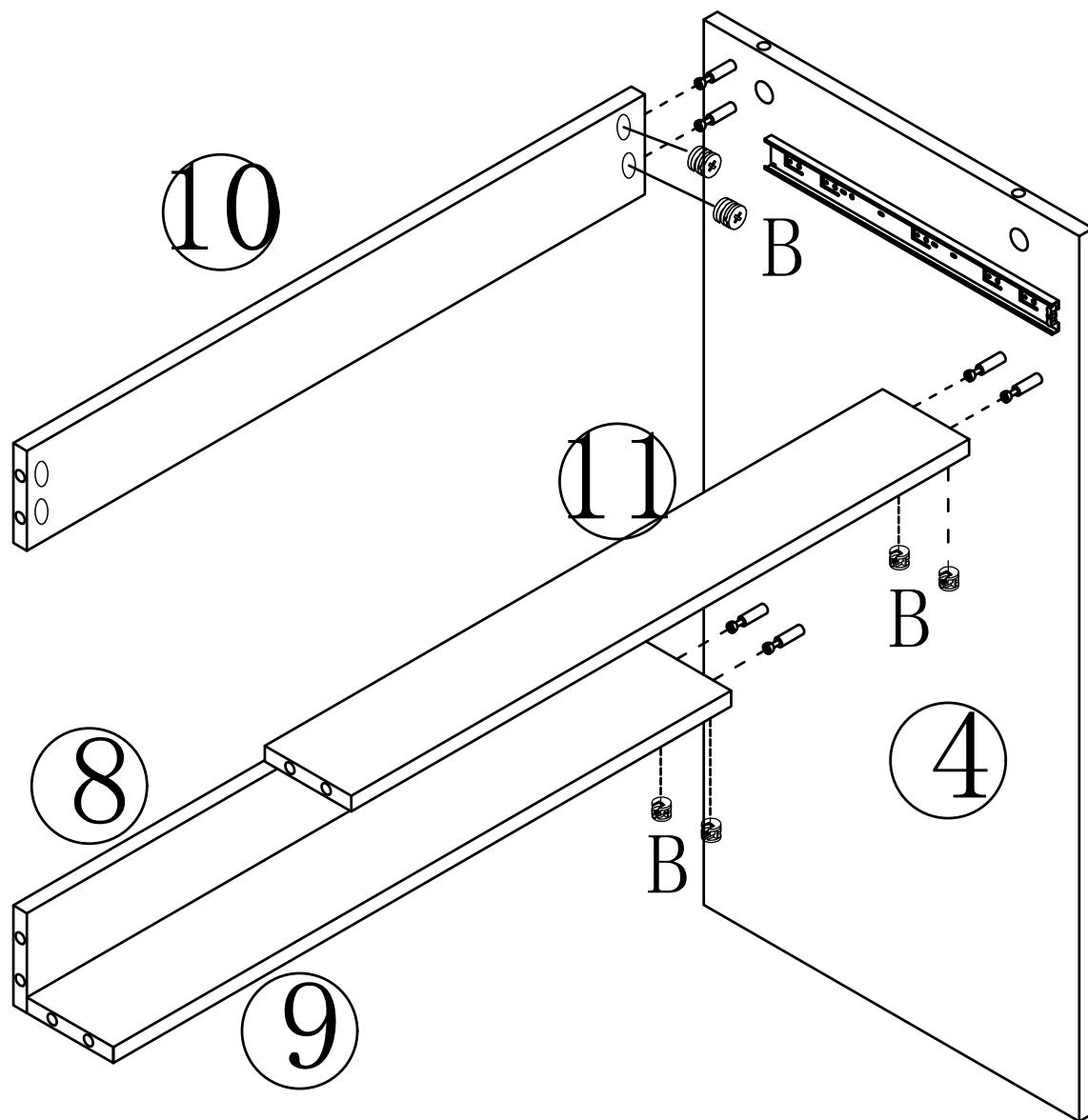


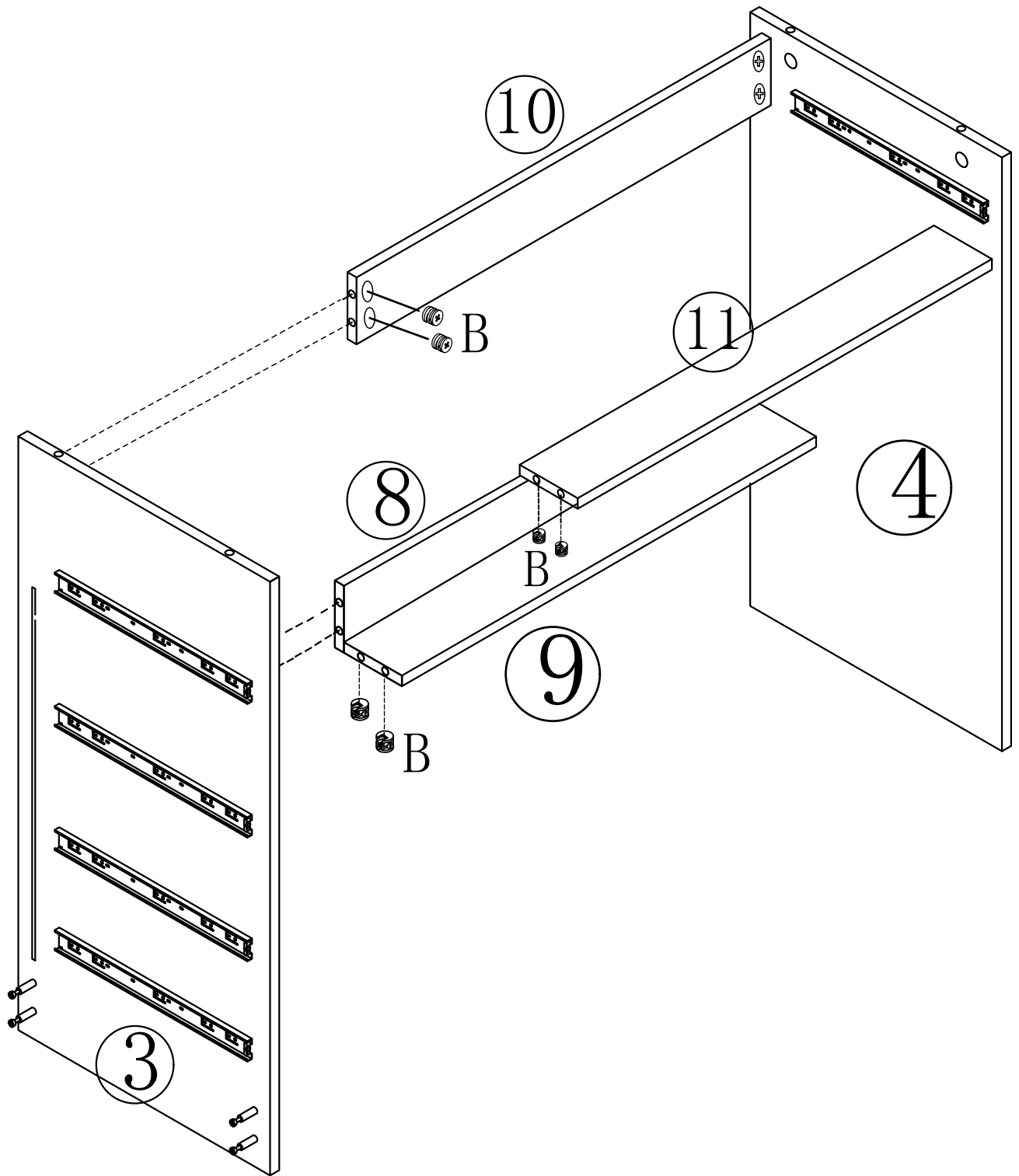


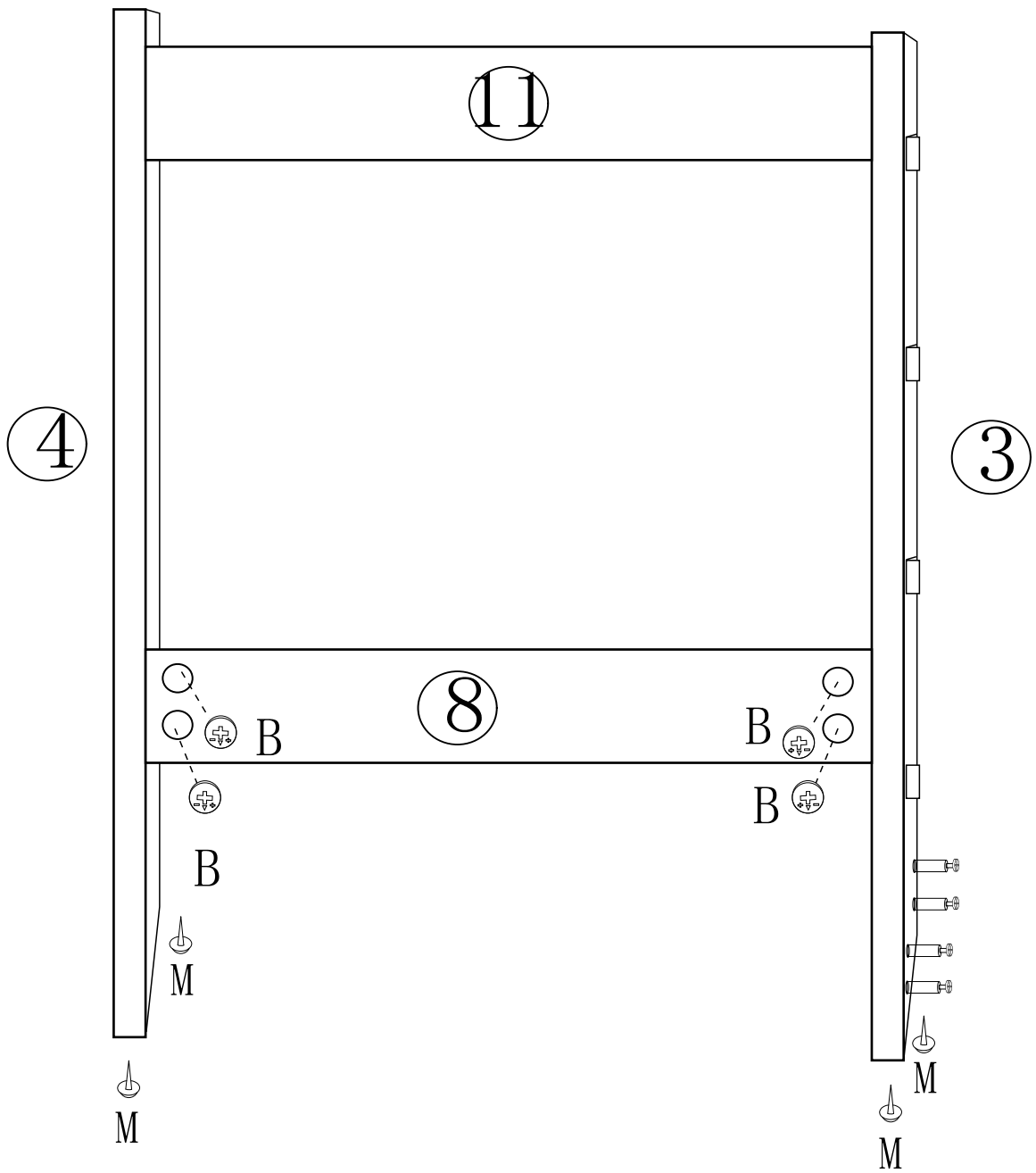
Make sure your screw D aim at the pre drilled hole.

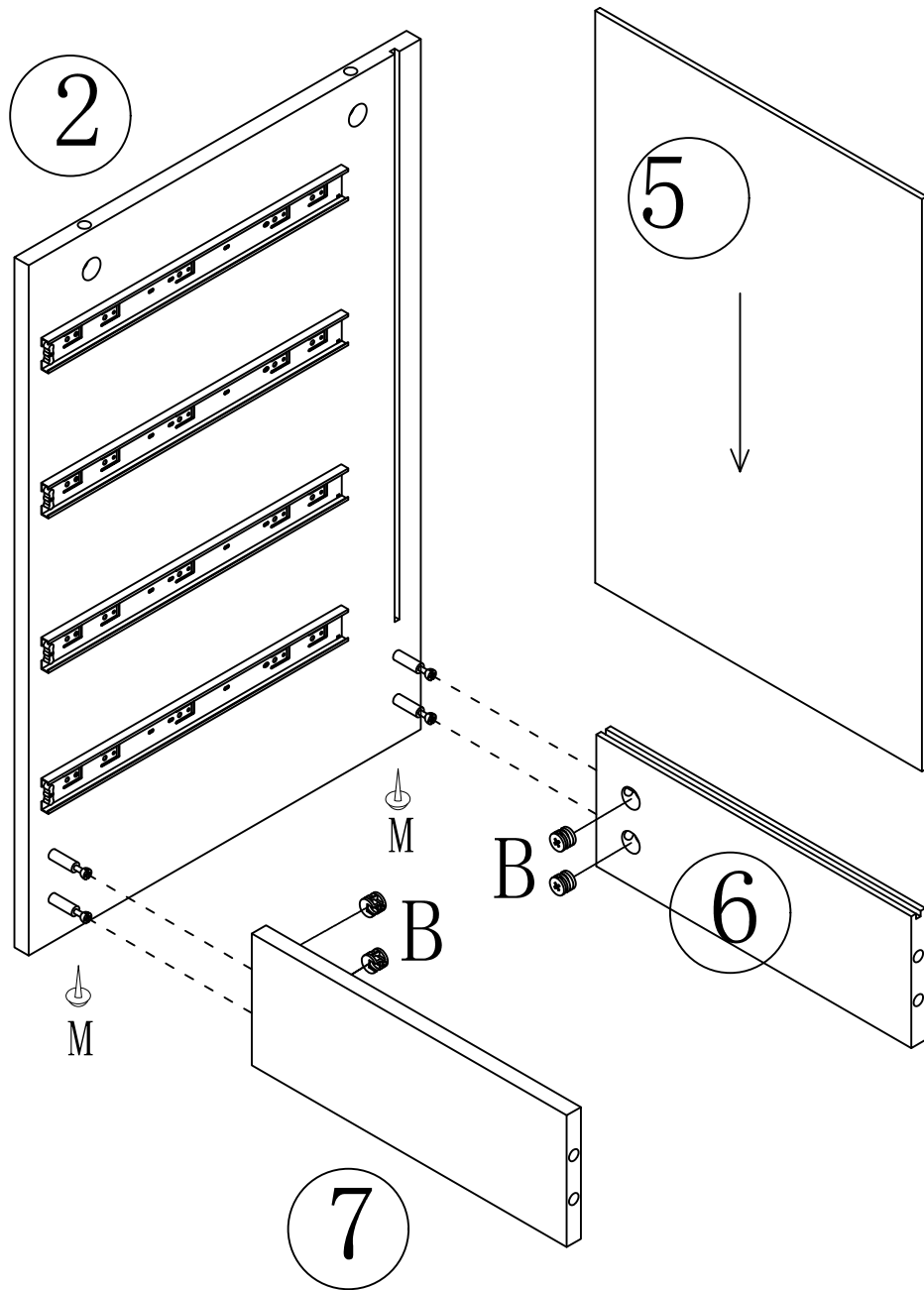


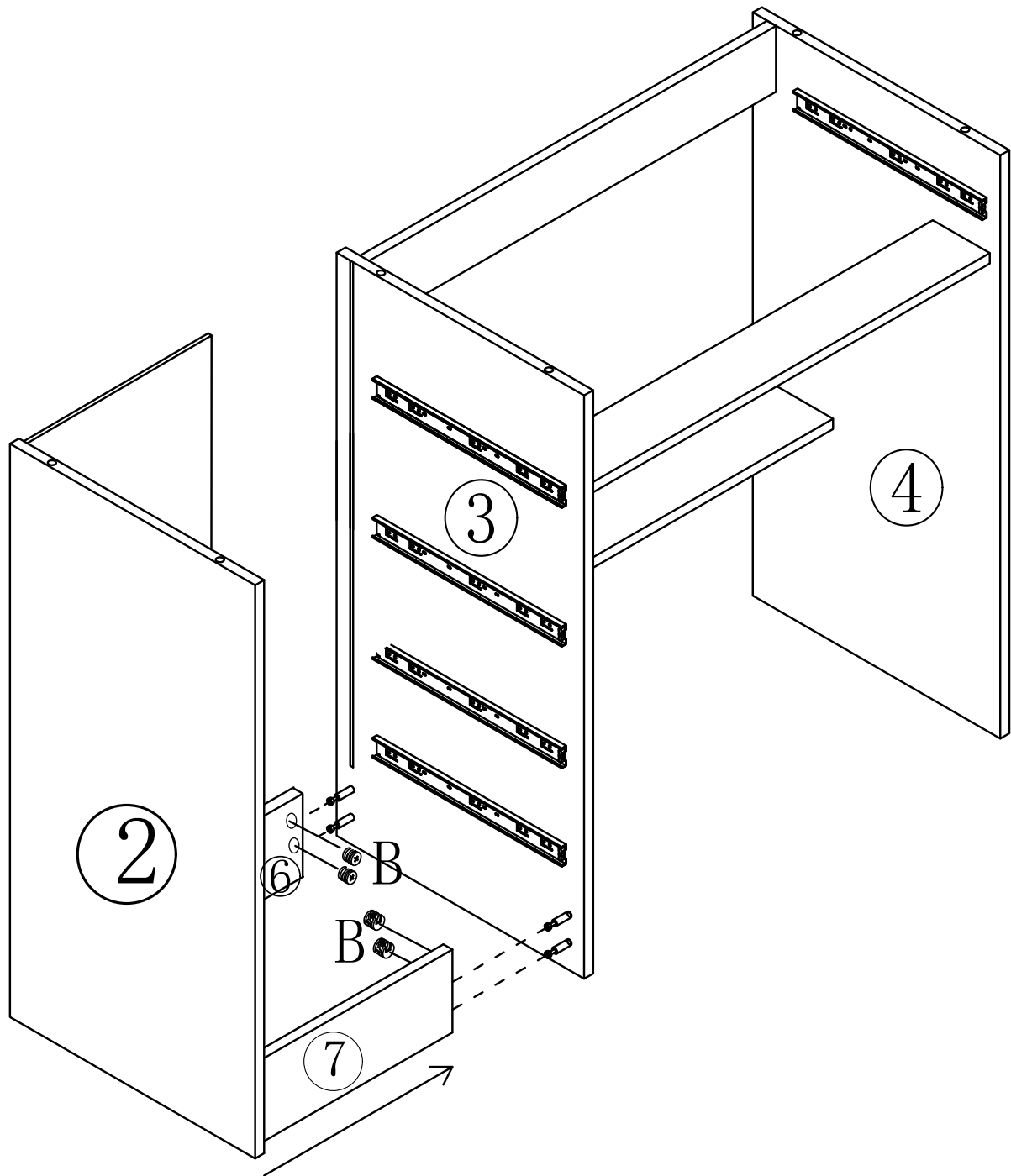


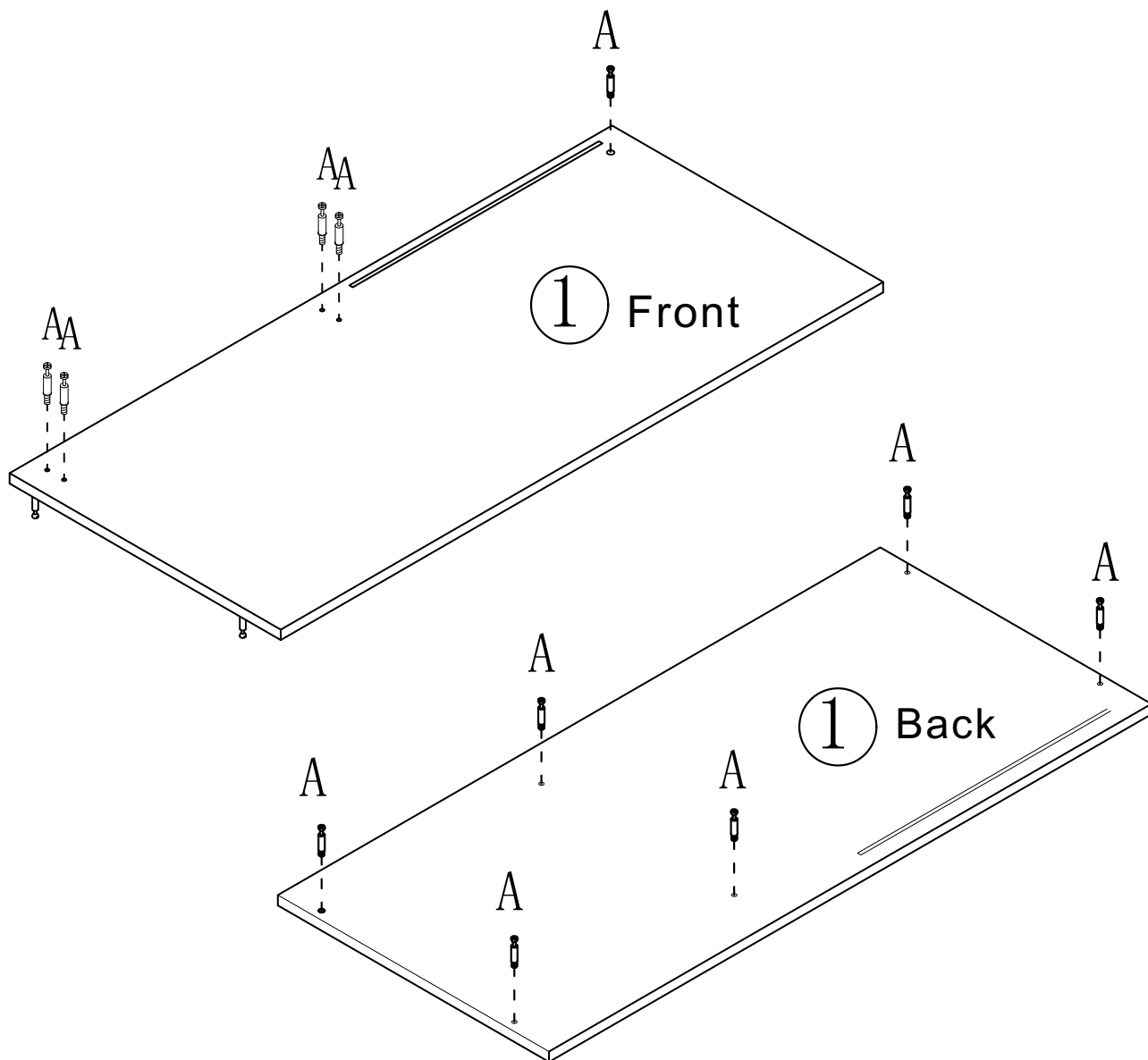


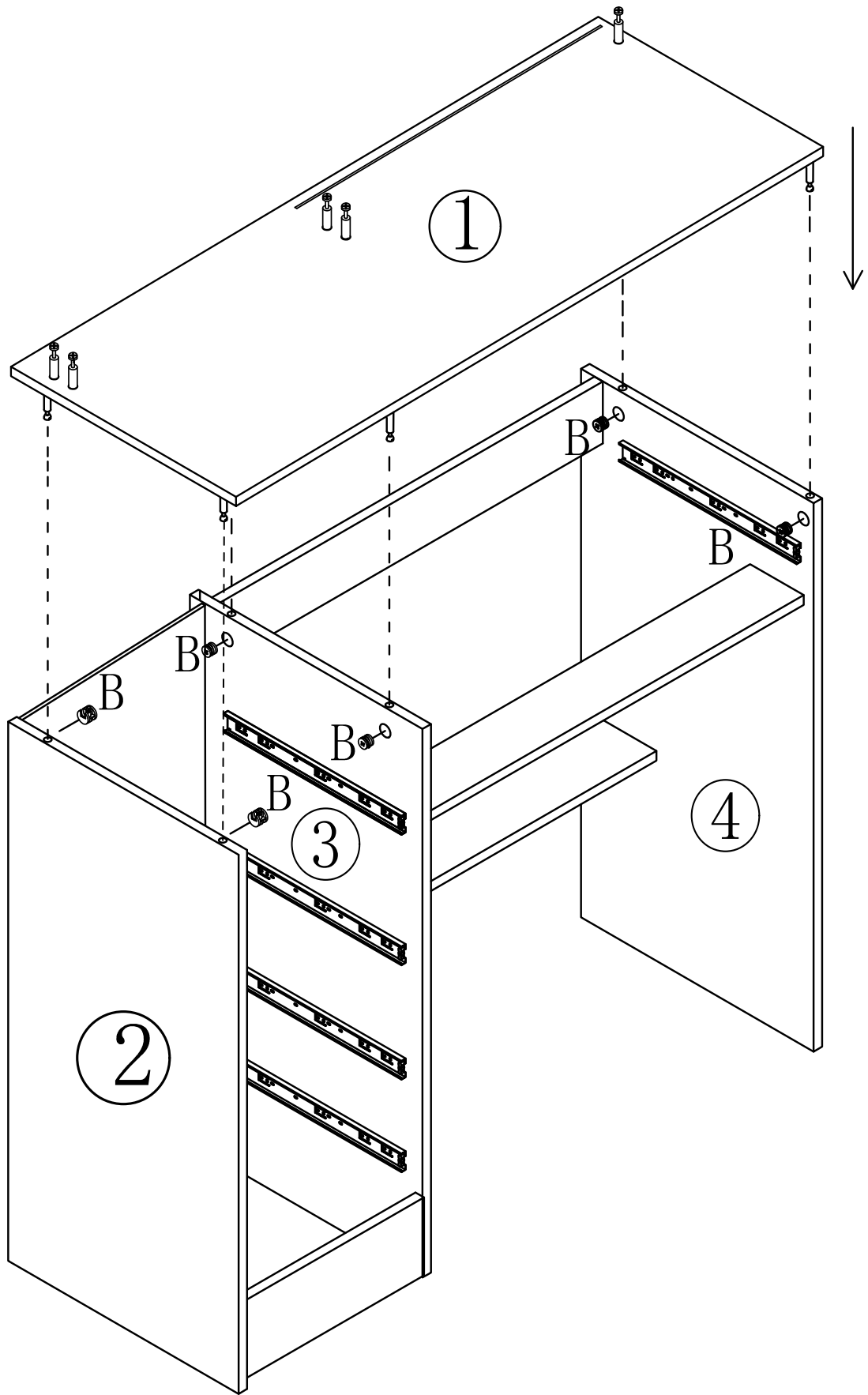






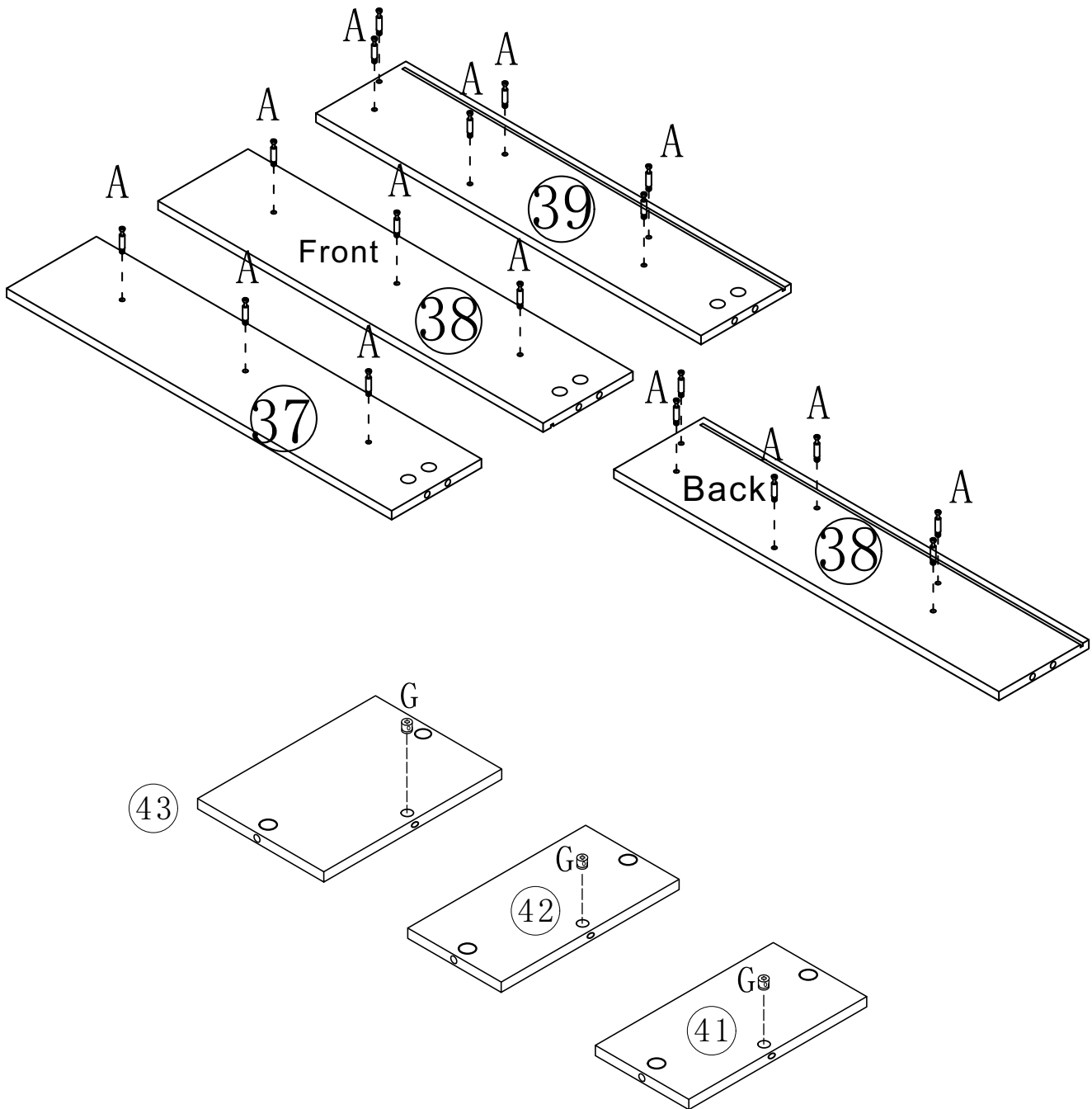


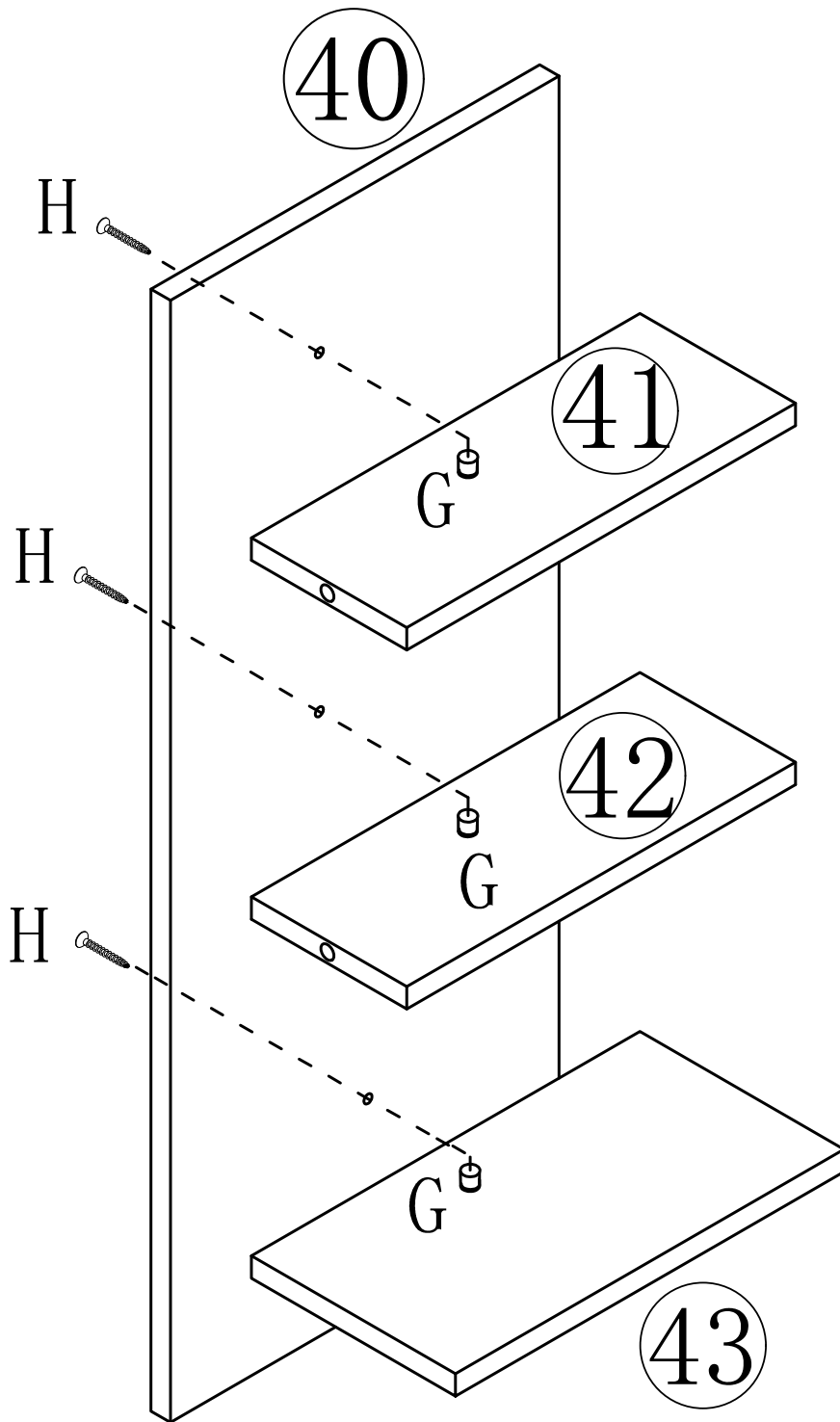


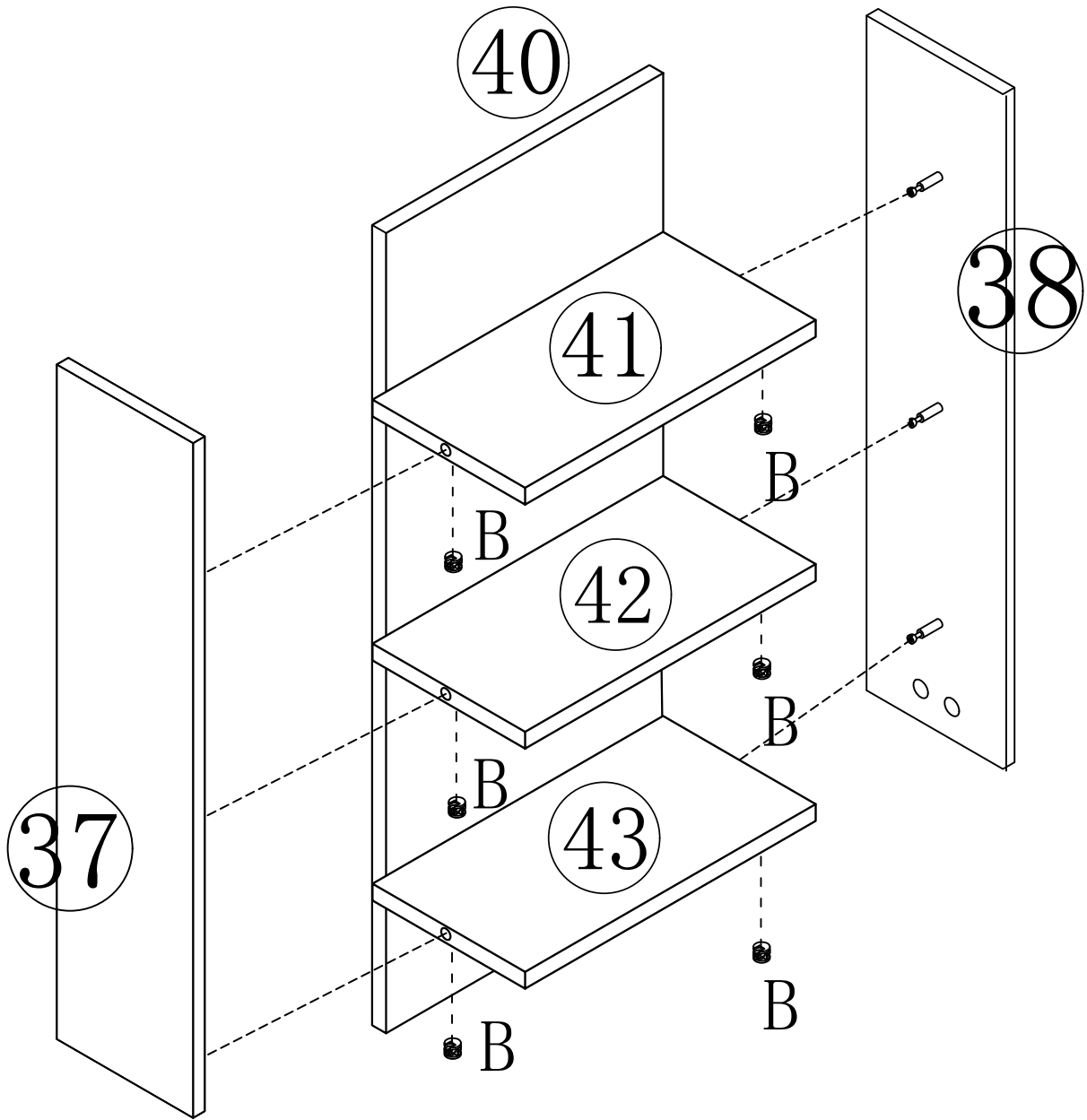


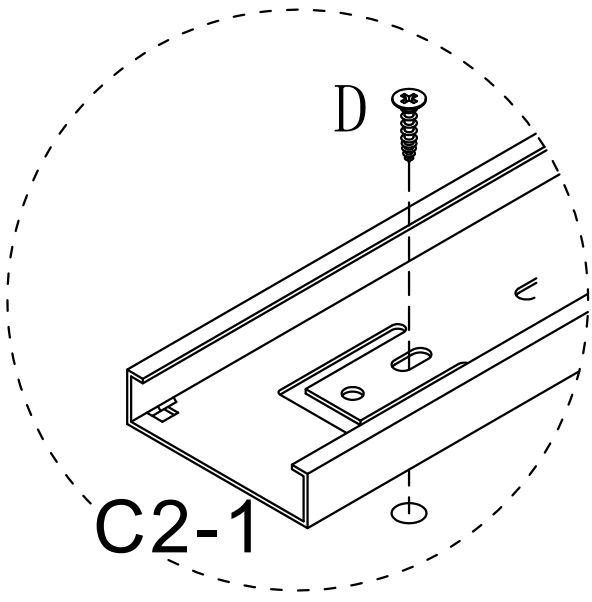
Part 4: Shelf

Accessories needed: 37, 38, 39, 40, 41, 42, 43, 44, 45, 46, 47, 48, 49, 50; H, G, B, C2, D

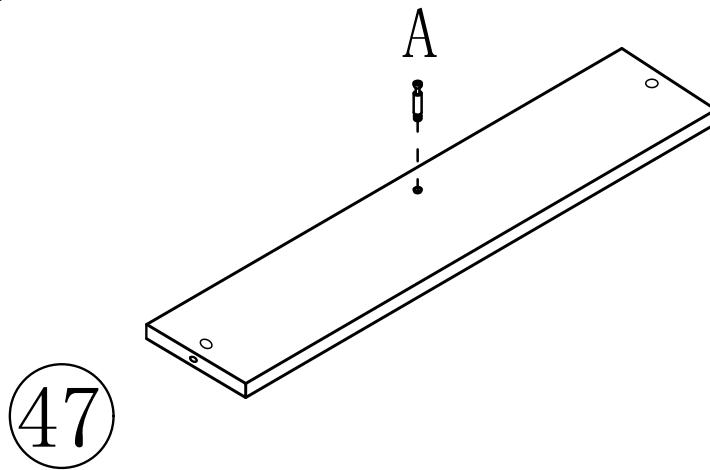
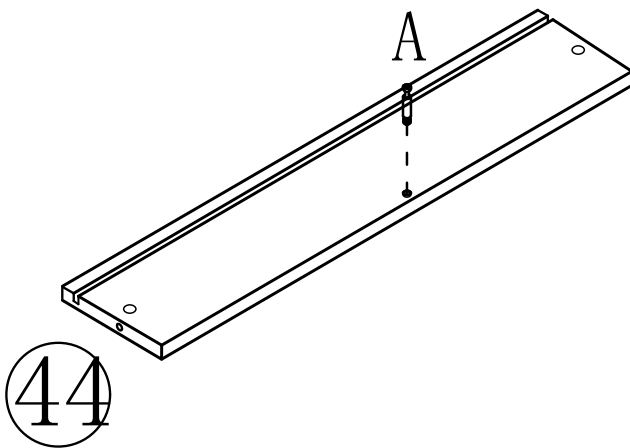
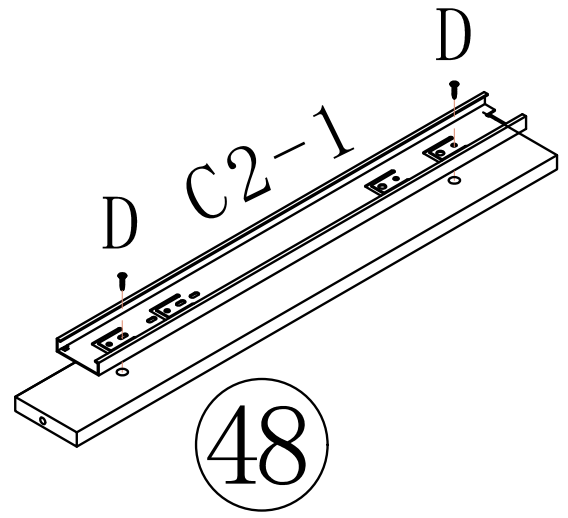
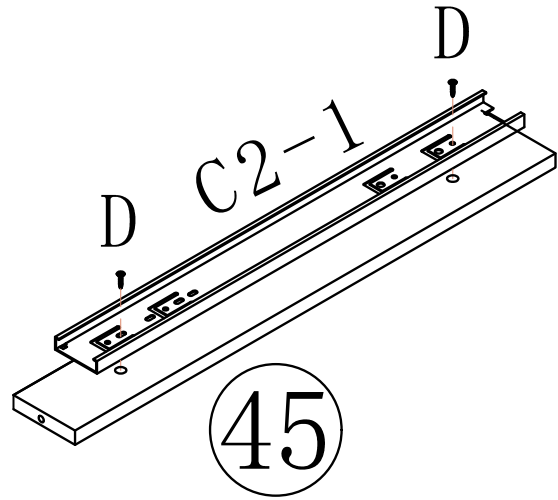


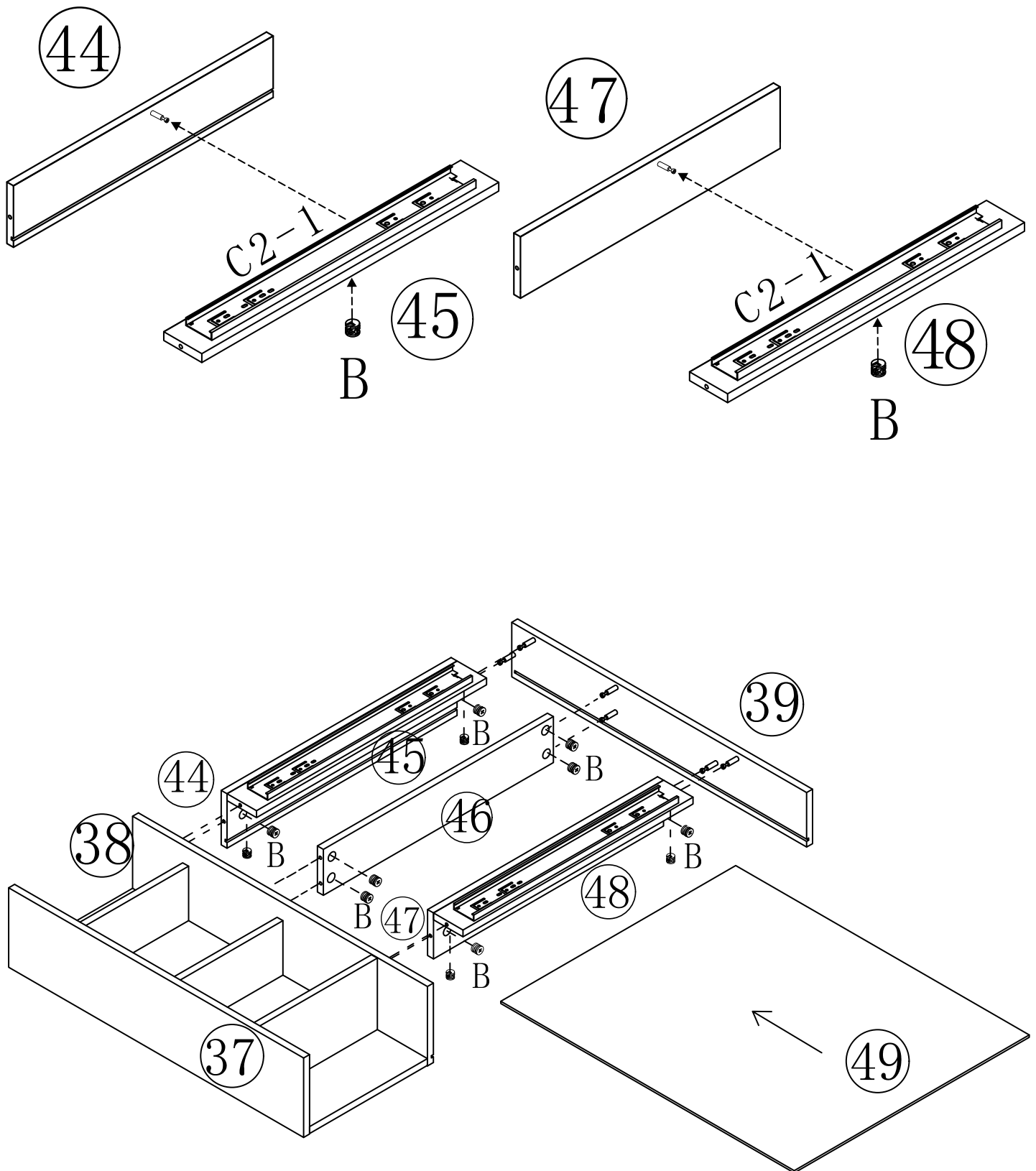


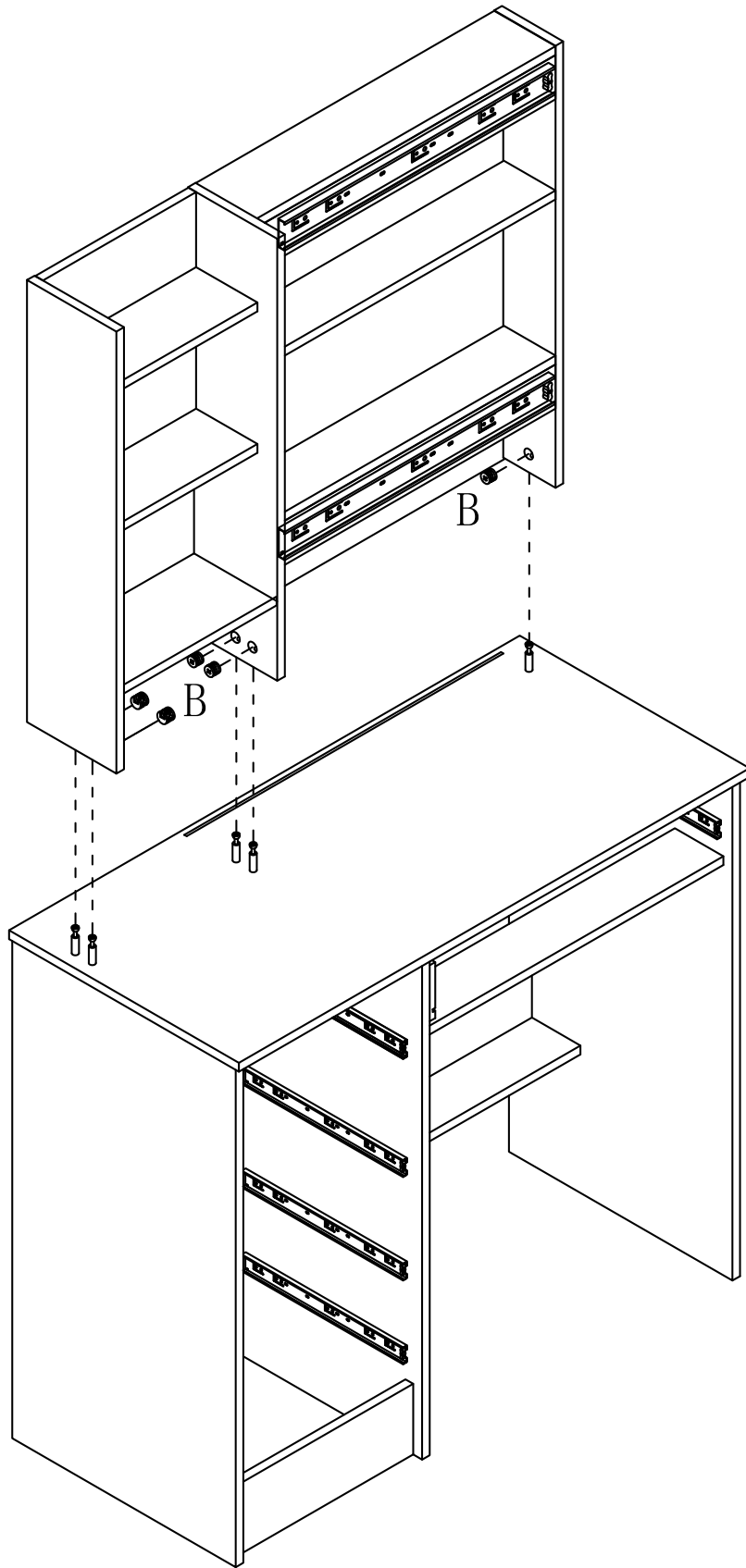


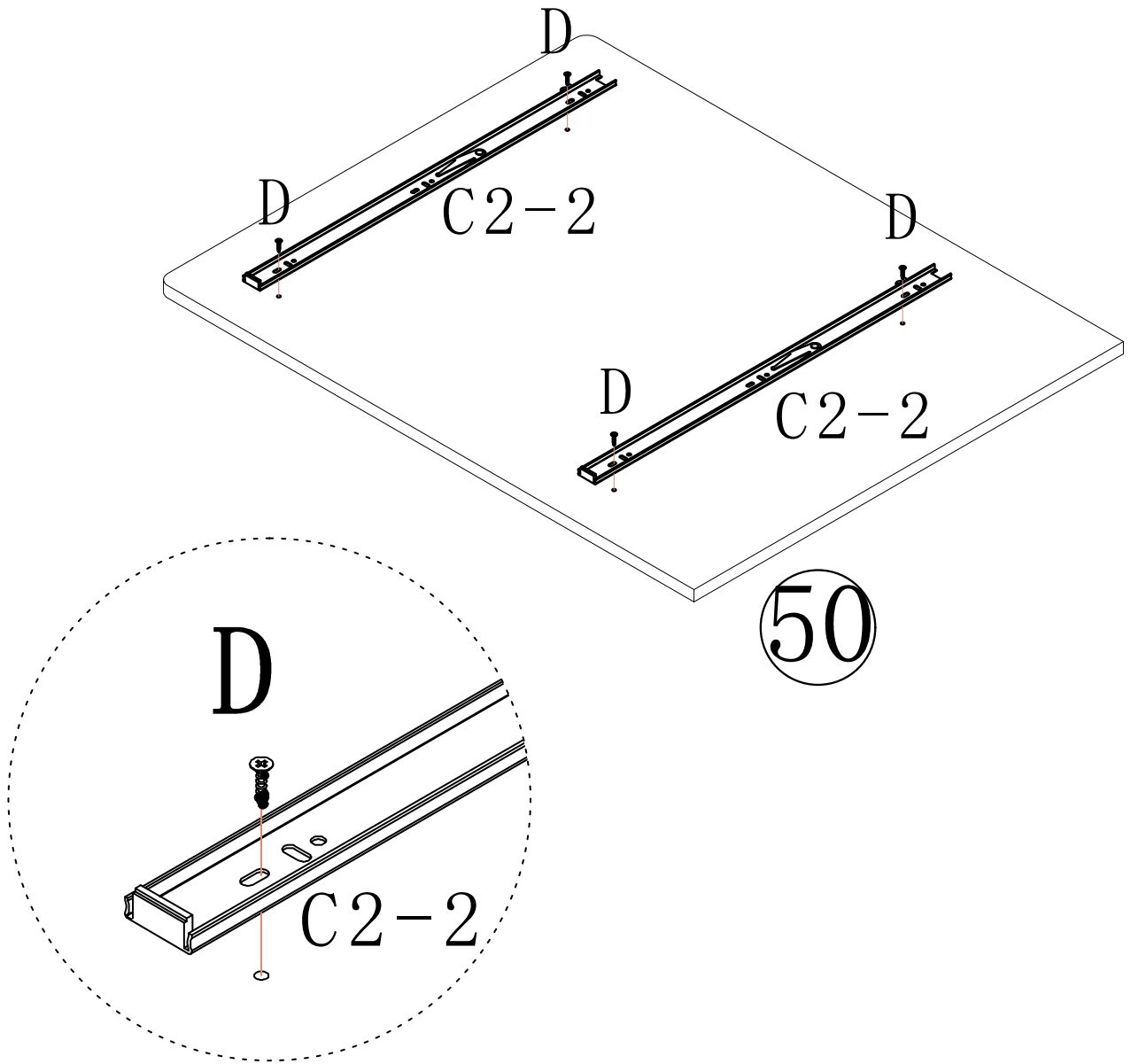


Make sure your screw D aim at the pre drilled hole.

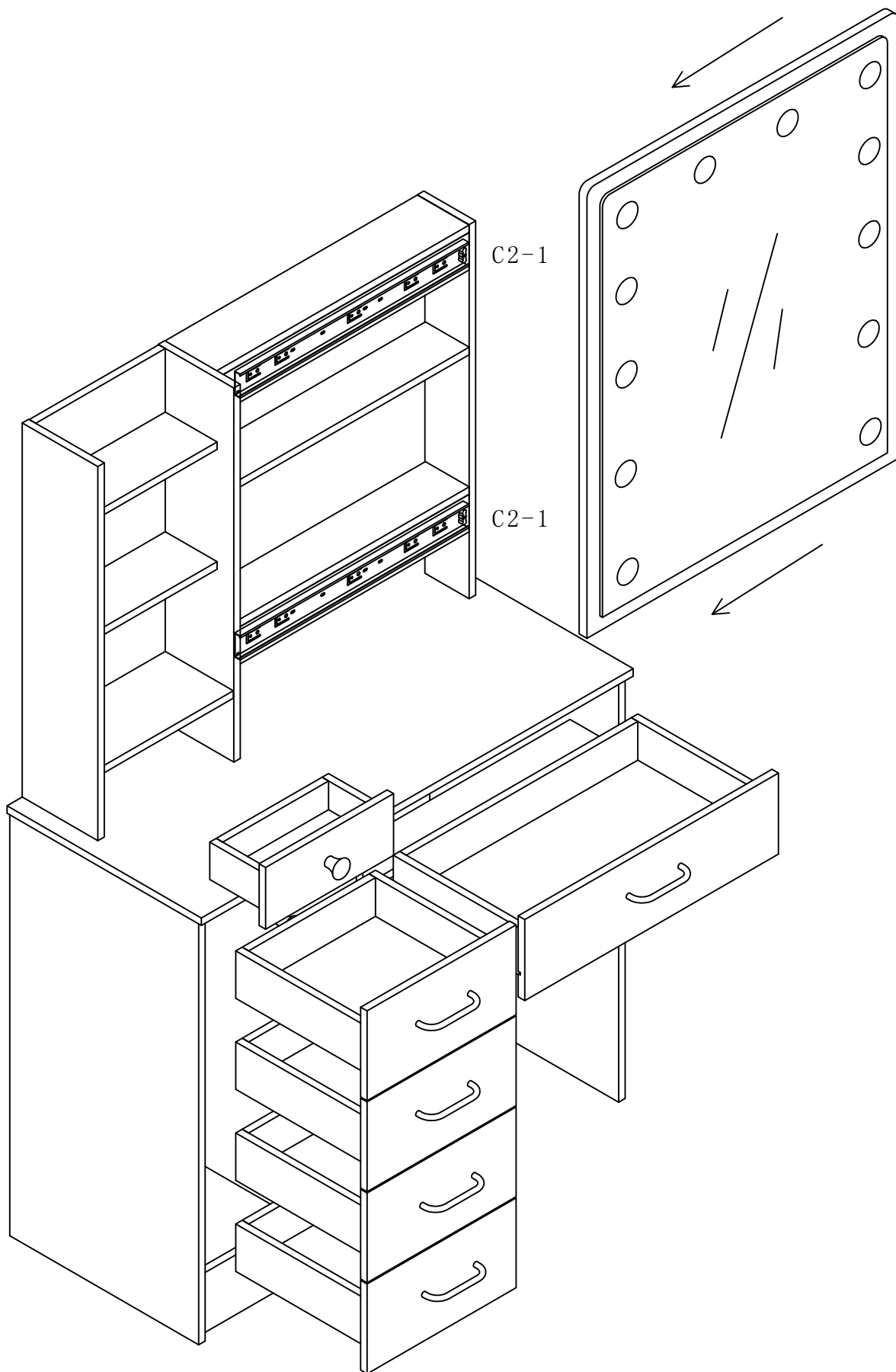








Make sure your screw D aim at the pre drilled hole.



50