

User Manual for Range Hood

Dear Customer,












Congratulations! You are now the proud owner of this range hood. This international class appliance is 100% imported and conforms to the highest quality standards to provide years of trouble free service.









So go ahead and enjoy the great new experience of cooking in a clean and smoke free environment. Give your house a fresh appeal.

Read this instruction manual carefully so that the product is installed and operated as specified in the manual.

SAFETY WARNINGS

In order to make user avoid harm and property loss, please check below important items and stand by strictly

 Forbidden	 forbidden disassemble	 forbidden waterish use	 must do	 attention
CAUTION				
 Forbidden can not use by children or weakling	 Forbidden can not use at the place with causticity or volatile gas around			
 Forbidden forbidden clean motor and other electric with water	 Forbidden forbidden connect the outlet pipe to hot smoke chimney			
 Forbidden forbidden change the connect line privately	 Forbidden forbidden fire the range hoods directly			

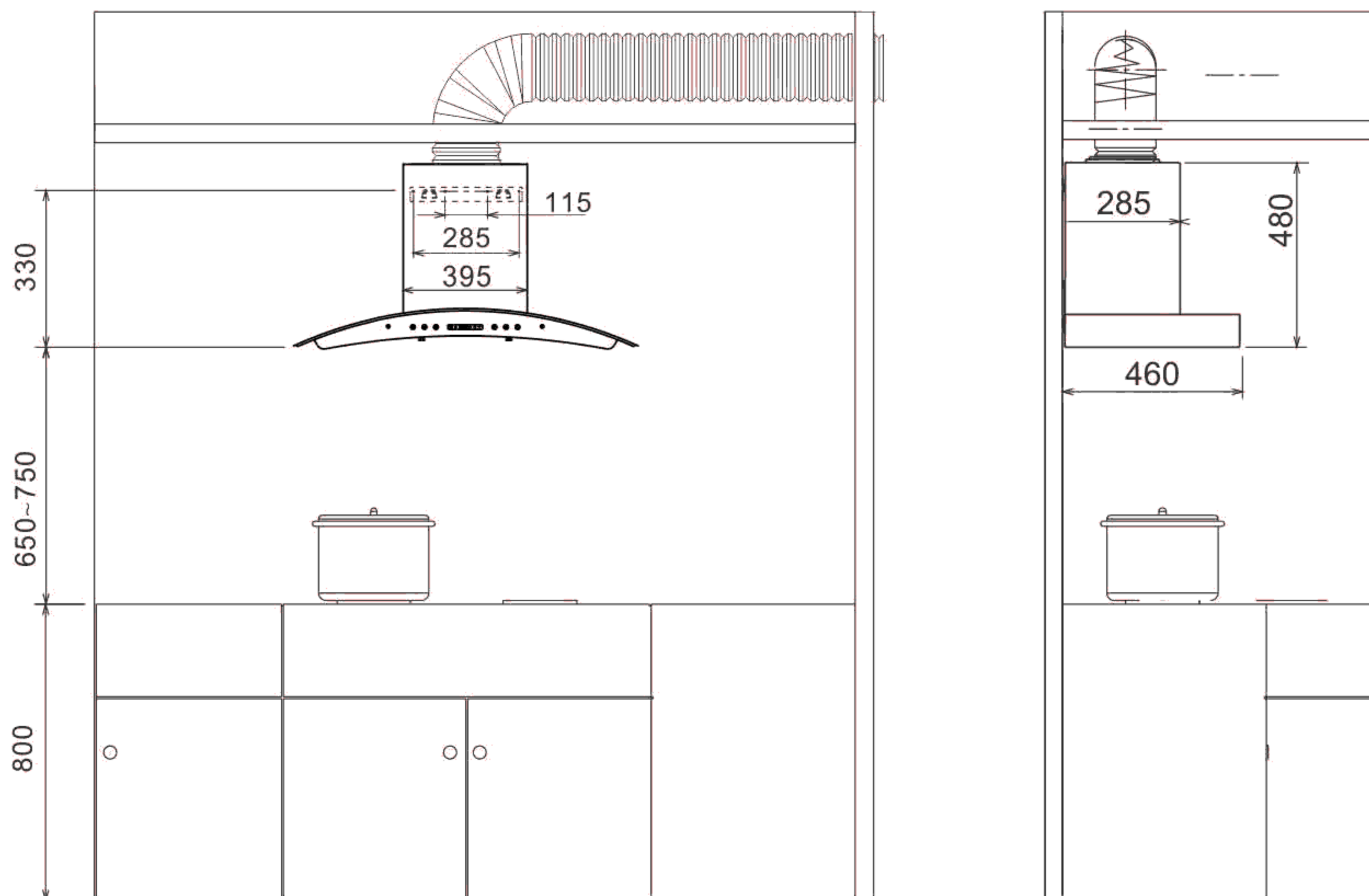
CAUTION	
 forbidden use wringing range hoods Forbidden	 forbidden touch plug electric and power switch with waterish hand forbidden waterish use
 ware gloves when install, clean or maintain the range hoods attention	 forbidden laypeople disassemble and maintain range hoods forbidden disassemble
 take out plug before move, install, clean or maintain the range hood must do	 must change the power line if the line cover is damaged must do
 don't damage or heavy press the power line must do	 make strictness between the outlet pipe and the cool smoke chimney must do

INSTALLATION

- TOOLS:

Electric Drill; Cross Screwdriver; Tap; Hammer

- SKETCH MAP



- **INSTALL STEPS**

Fixing the wall bracket:

- To ensure correct vertical alignment of the appliance, draw a vertical line on the wall from the center of the cooking appliance to the ceiling.
- Align the template provided with this appliance horizontally and mark holes to fit the setscrew at the desirable heights.(Not applicable for some models)
- Pilot drill all holes as marked on the wall using 8 mm drill and fix the 8mm screws provided.

Fixing the canopy hood:

- Hang the canopy hood on the wall bracket or screws and make necessary adjustments to ensure horizontal alignment.

Connecting to the power supply and test:

- Ensure that the voltage of the power supply matches that of the appliance.
- The supply cord must be well fixed that could not contact the sharp edge of the enclosure.
- Plug the appliance into the power supply socket.
- Clean the area of all dust and waste matter to avoid it being sucked into the chimney before testing.
- Check that the work top lights, motor and speed work properly.

Fitting the ducting:

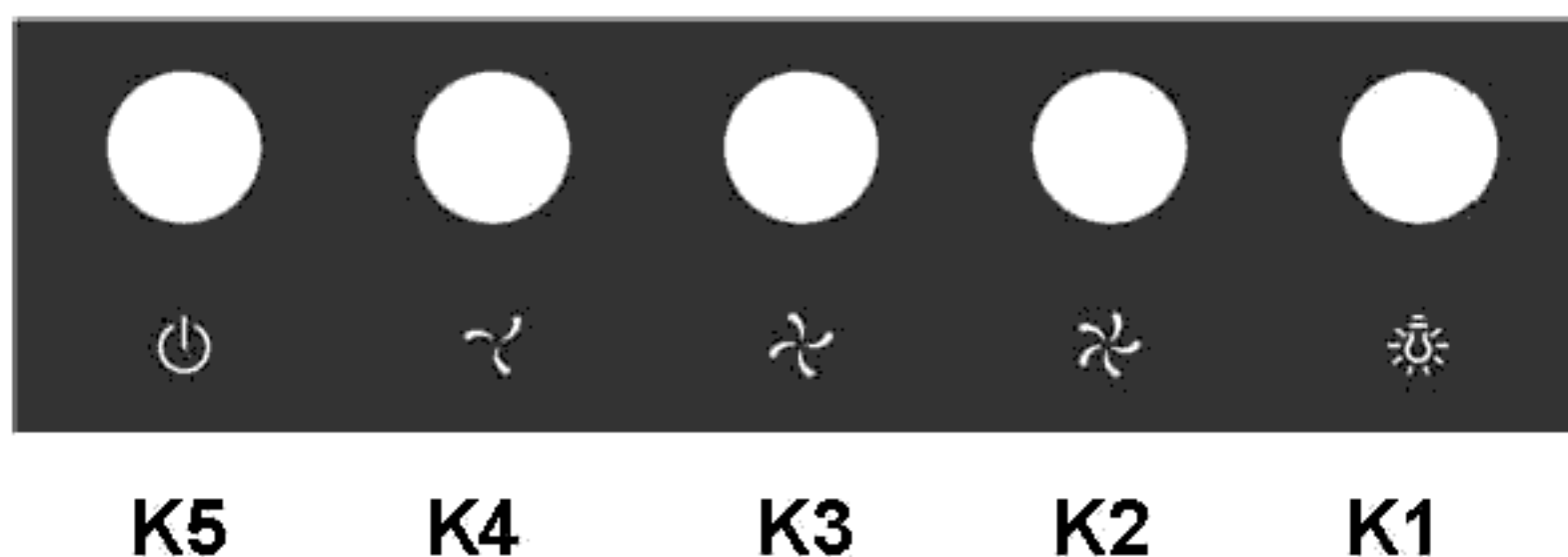
- The cooker hood can be ducted to the outside using a rigid or flexible fire retardant ducting of a suitable and matching size. In some models flexible ducting is provided.
- The installer should provide suitable ducting and sealing material for the installation.
- The ducting tube should run parallel to the wall up to the ducting hole and not be bent more than 90 degrees to ensure easy flow of extracted air. The length should not be more than 6m and 2 bend.

Fitting the telescopic chimney:

- Place the telescopic chimney on the canopy hood or insert into the space provided for it.
- Fasten into place with the help of the wall bracket using two screw provided in the bag of accessories.

OPERATION INSTRUCTION

A)



- ① **K5 key: power key**
“power” key only function is to close the on work motor.
- ② **K4 K3 K2 key: speed key**

Press any “motor speed” key, motor is on. and press the three key the motor will change to corresponding speed.

③ **K1 key: light key**

“light” key control the light on or off.

B)



① **K5 key: power key**

Press “power” key motor is ready to work. Then press any “speed” key the motor work. Then press “power key” again motor close.

② **K4 key: light key**

“light” is working independently, one press is on, another press is off

③ **K3 K2 K1 key: speed key**

Press “speed” key it will not work if power key is off. When power is on, press “slow” key motor work on slow, press the key again motor off. And when power is on, press the three speed key can change the motor to corresponding speed.

C)



① **K6 key: remote control key**

This key just work when your range hoods have remote control. If your range hoods without remote control function. Please ignore this key.

② **K5 key: time set key**

K5 is for timer setting . When choosing TIMER function, timer should be set under the condition K2 or K3 are on, otherwise time setting will not work. When touch K5, K5 symbol starts to blink, which means setting time starts and time set should be finished within 2 second. Time will increase or decrease in a circular manner. (Timing will count down until the previous set time, motor will be automatically turn off).

③ **K4 key: light key**

“light” is working independently, one press is on, another press is off

④ **K3 K2 key: down and up key**

When LCD SCREEN SHOW 00:00, softly touch K2 for increasing the speed. Touch it

Help adjust the time when time set function open. This key no other function when time set function is closed.

⑤ **K5 key: motor key**

Press K5 key open motor fan or adjust the motor fan speed. When motor fan is closed press K5 key motor fan work at stong speed, then circle at middle slow stong.

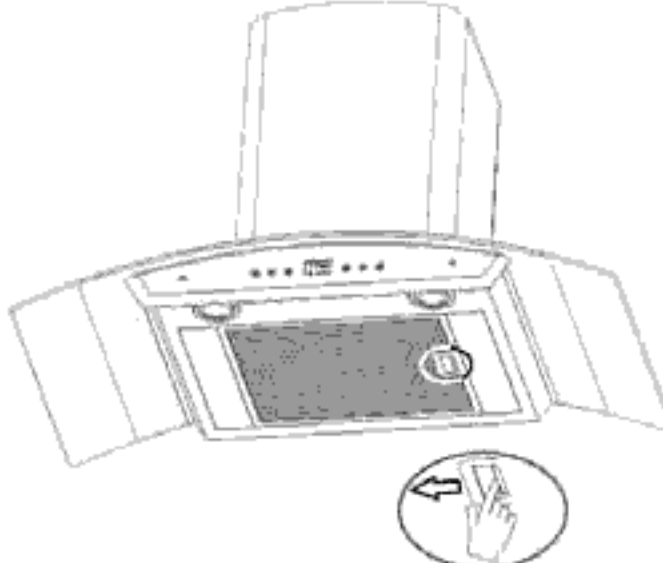
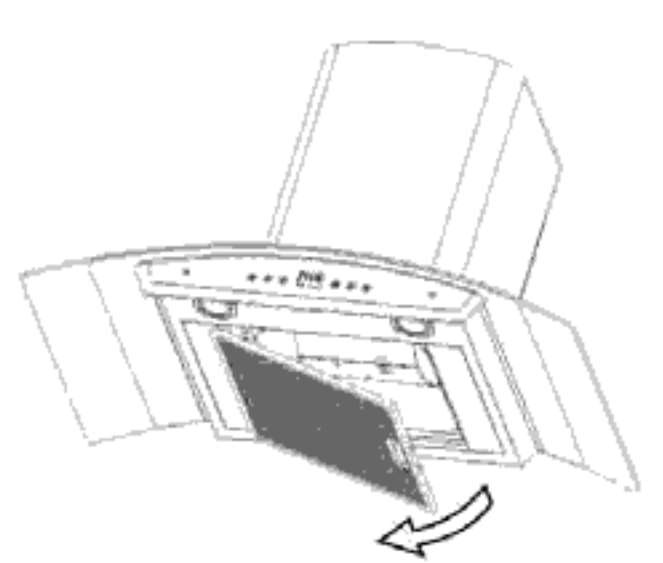
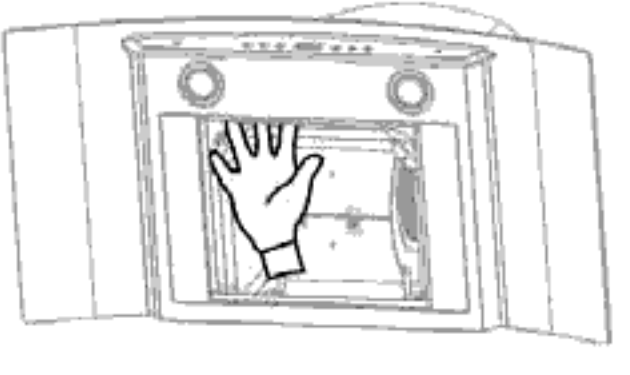
⑥ **K6 key: light key**

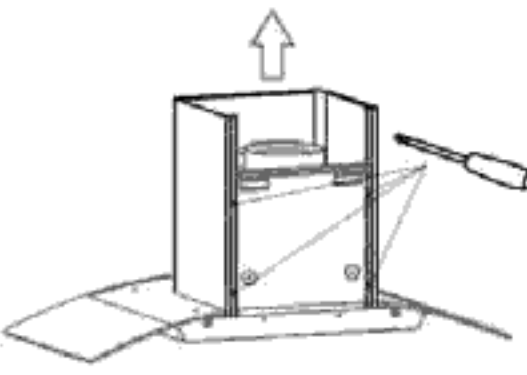
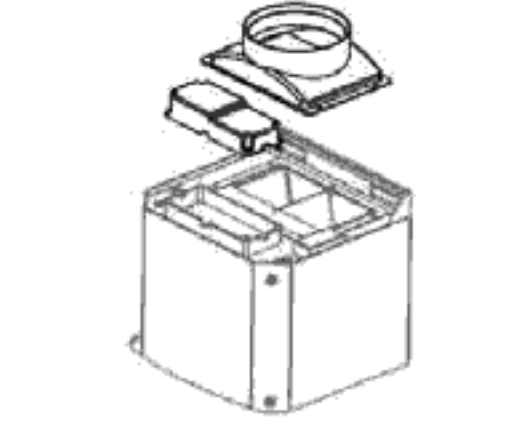
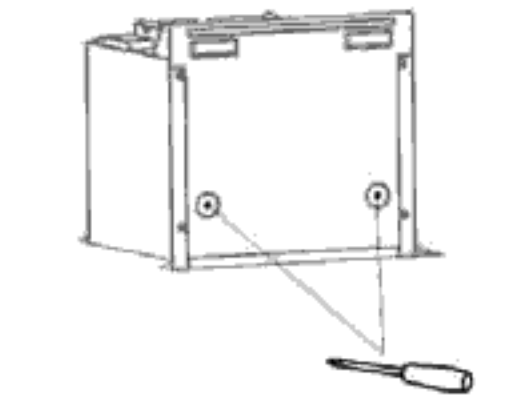
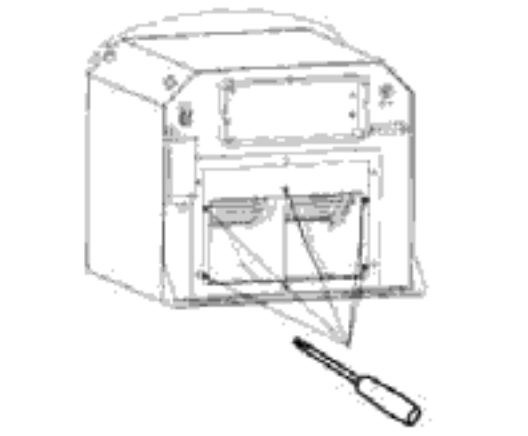
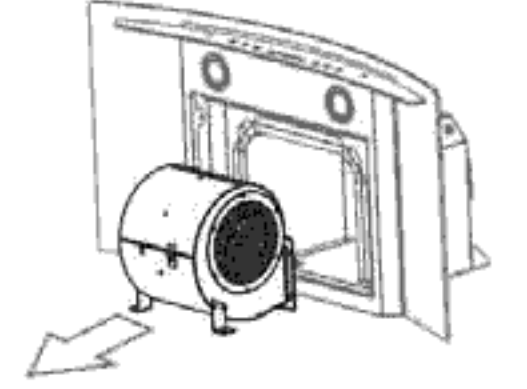
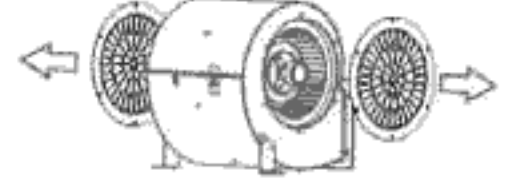
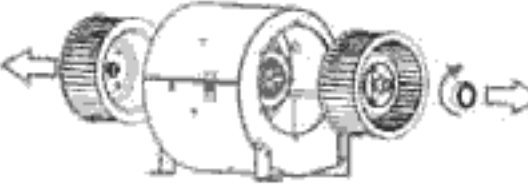
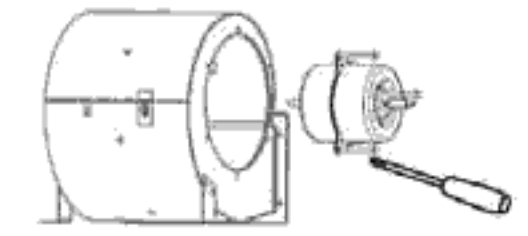
Control the light on or off. When light is on the polit lamp for this key is lighten.

MAINTENANCE

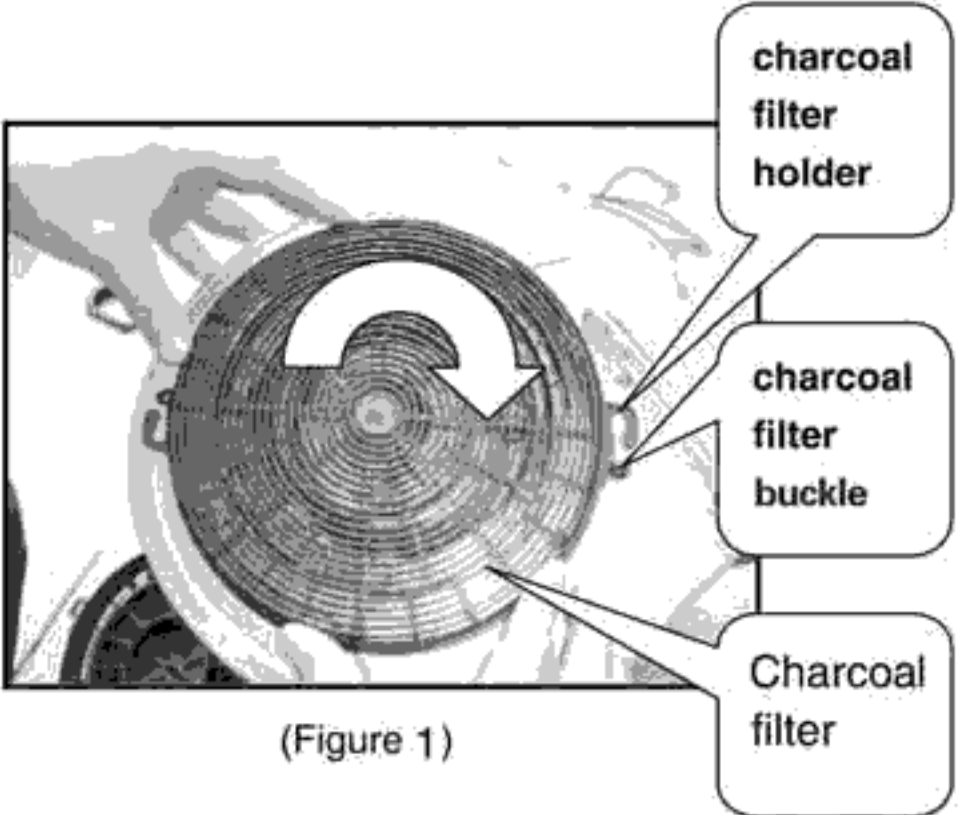
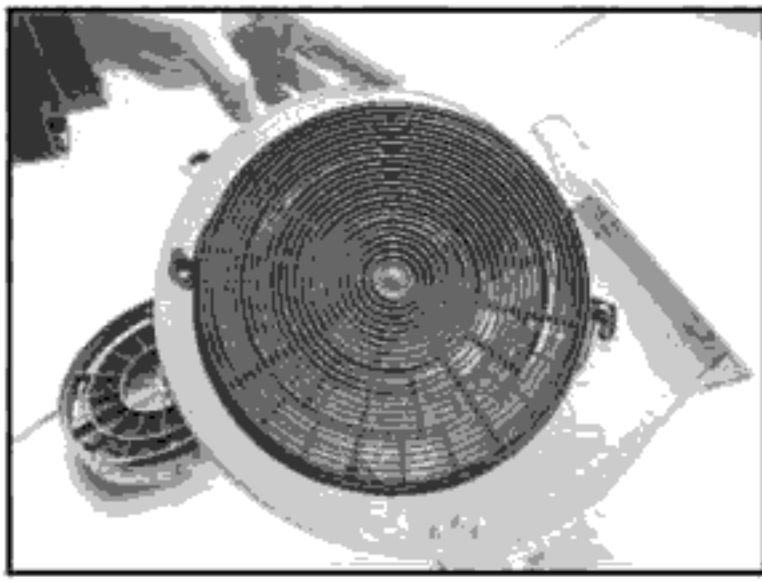
Regular maintenance and cleaning will ensure good performance and extend the working life of the cooker hood.

- 1, Do not clean the appliance with strong abrasive liquids or acidic formulations.,
- 2, Special attention should be paid to cleaning the filters regularly.
- 3, Some normal parts replacing

A)Filter and Light	
 <p>1</p>	 <p>2</p>
<p>Press the button,and pull down a little,the filter can be taken off.</p>	
	
<p>After take off filter,do like picture,just need press the light out,and unlash the connect buckle,the light can take off.</p>	
<p>! this operation must ware thick gloves</p>	
B)Motor	

			
<p>1. Screw the chimney from the body</p>	<p>2. Screw the outlet and connect line box cover off then pull out the motor connect maletab</p>	<p>3. Unscrew the two bolt at back</p>	<p>4. Unscrew the bolt at the outlet back</p>
			
<p>5. Take off the motor system</p>	<p>6. Take off the safety net</p>	<p>7. Unscrew the fan nut and take off the fans</p>	<p>8. Unscrew the motor bolt and take out motor</p>

C) if your hoods with charcoal filter

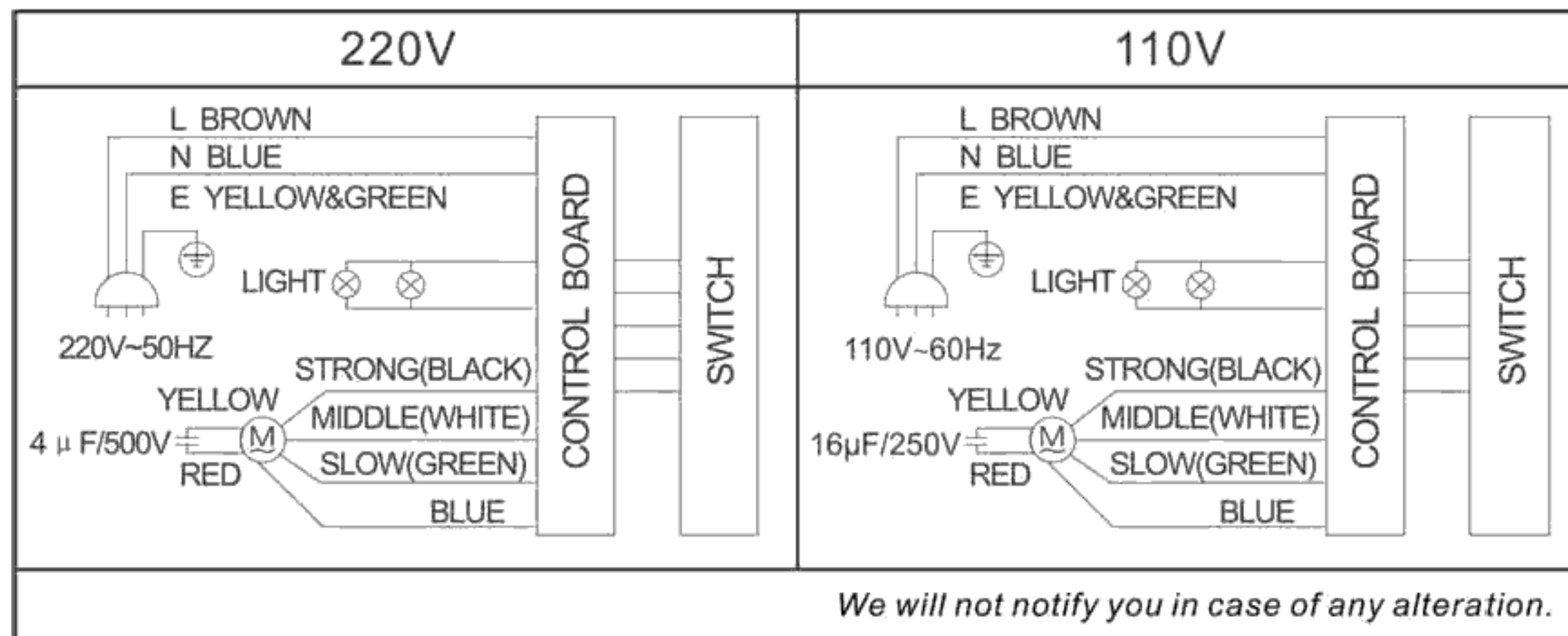
<p>As figure 1, fix the charcoal filter holder with the charcoal filter buckle, rotate Clockwise.</p>	<p>As figure 2, circumscribe the charcoal filter to proper position.</p>
 <p>(Figure 1)</p>	 <p>(Figure 2)</p>

ABNORMITY AND SOLUTION

Fault	Cause	Solution
<p>Lights on, but motor doesn't work</p>	<p>The impeller blocked</p>	<p>Contact service agent</p>
	<p>The capacitor damaged</p>	<p>Contact service agent</p>
	<p>The motor jammed, bearing damaged</p>	<p>Contact service agent</p>
	<p>The internal wiring of motor burnt or a bad smell from the motor</p>	<p>Contact service agent</p>

Light does not work, motor does not work	Light damaged	Replace lights
	Power cord loose	Check the plug and cord to make sure it's well connected to power supply
Vibration of the body	The leaf damaged and causes shaking	Contact service agent
	The motor is not properly locked	Contact service agent
	The body is not tightly hanged	Contact service agent
Insufficient suction	The distance between the body and the gas top too long	Mounted according to the installation instructions
	Too much ventilation from open doors or windows	Close doors or windows
	Filter choked	Clean filter
The machine in inclines	The fixing screw not tight enough	Check the mounting screws and ensure they are screwed securely
	The hanging screw not tight enough	Check the mounting screws and ensure they are screwed securely

CIRCUIT DIAGRAM



All presswork are the latest version, the circuit diagram of product you have purchased may be different from this one because of updating of products. No other notification if any alteration.

V – Volt

W- Watt

Hz – Hertz



It indicates product should not be disposed with other household wastes in order to prevent possible harm to the environment or human health, take this product for environmental safe recycling.