

■ After-Sale Support

Dear Customer,

Thank you so much for purchasing our product. We sincerely appreciate your choice to incorporate our product into your living space.

Our goal is to build a mutually beneficial relationships with customers and we aim to be a reliable and recommendable brand.

We sincerely hope this product meets your expectations and that you would consider us again for your future needs.

When you receive the package, please kindly double check your package and accessories to be sure that you have all the necessary parts.

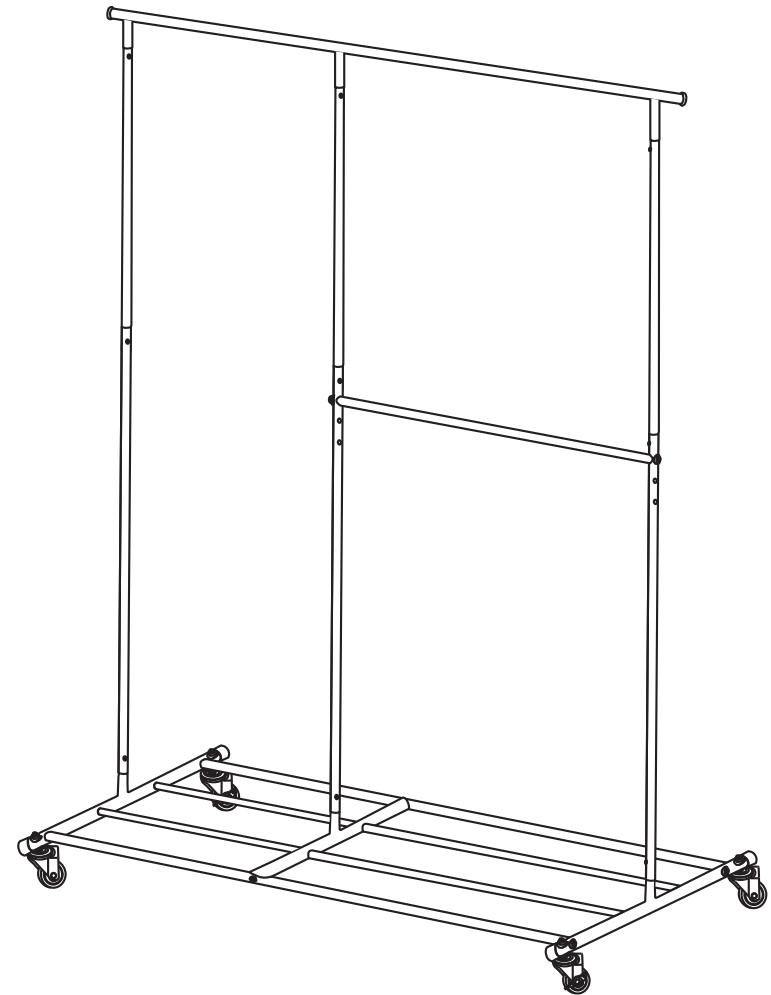
Should you have any questions, please contact us through the original purchase platform.

We will reply to each message within 24 hours and spare no efforts to help you as always.

Thank you once again for choosing us. Here's to creating wonderful memories and comfortable spaces together!

Kindest Regards,
Customer Care Team

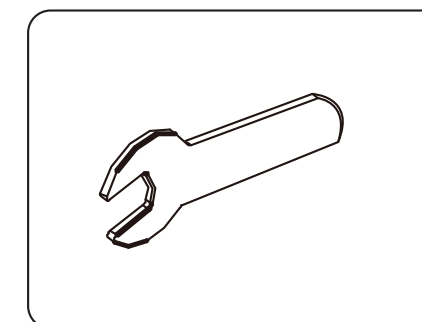
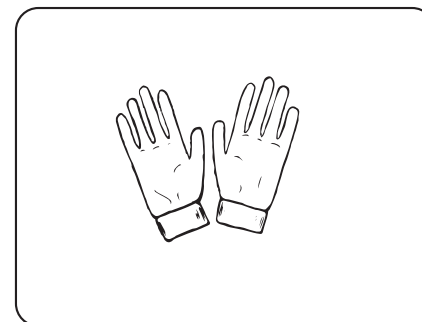
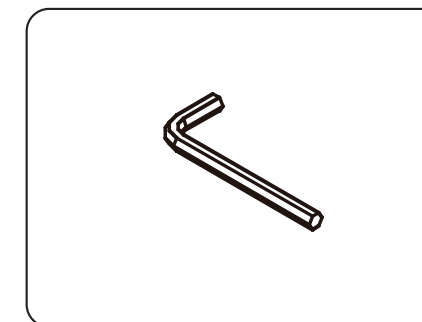
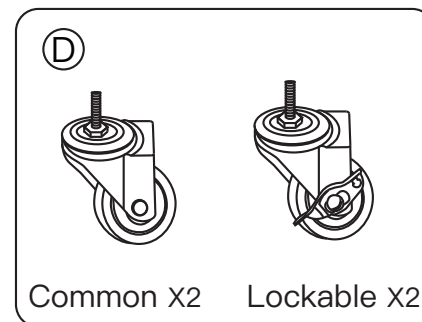
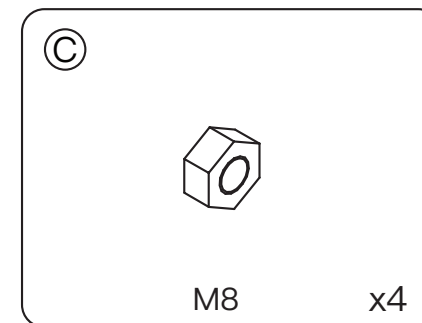
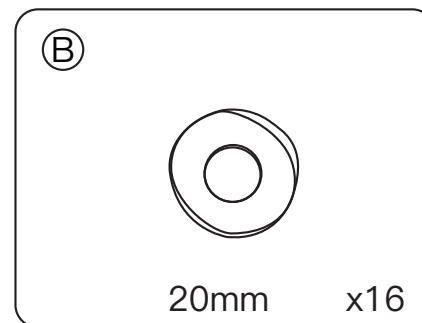
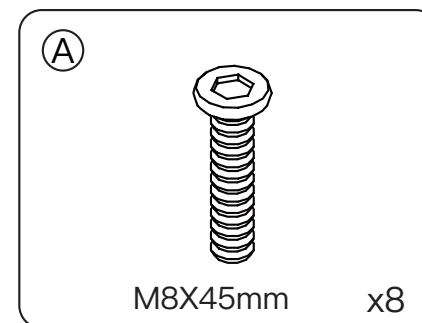
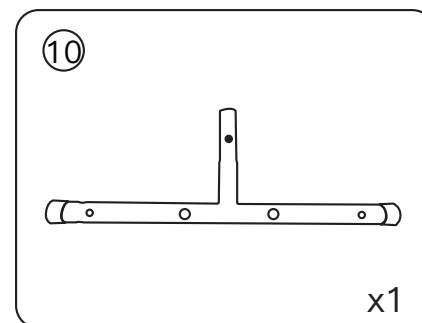
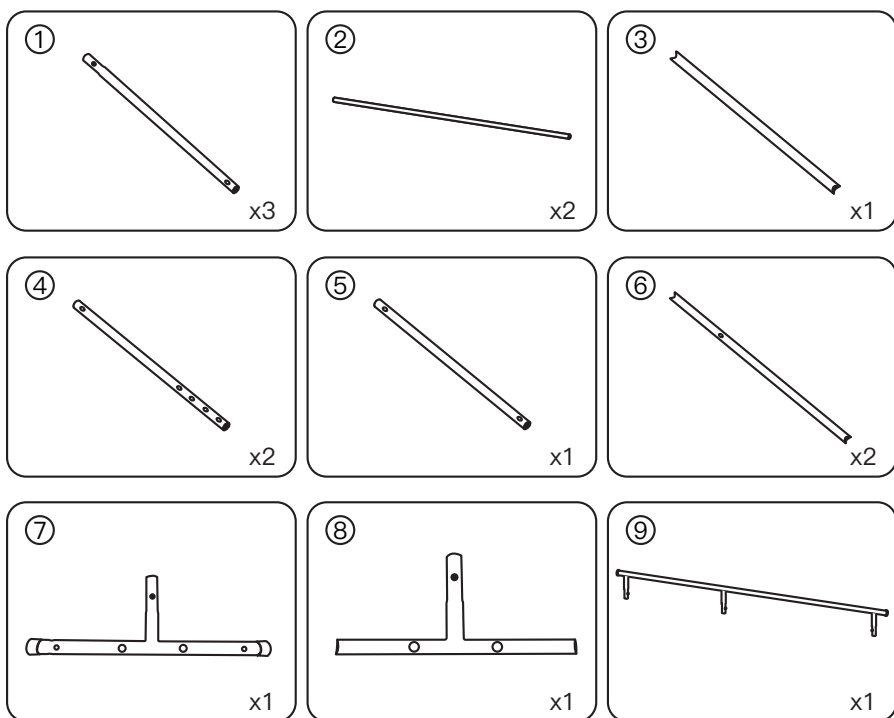
ASSEMBLY INSTRUCTION



Please check all parts and accessories according to the parts list before assembling, make sure all contents are sufficient and in good condition.

If there is any parts missing or defective, please contact us immediately with purchase platform message to get replacement parts.

PARTS:

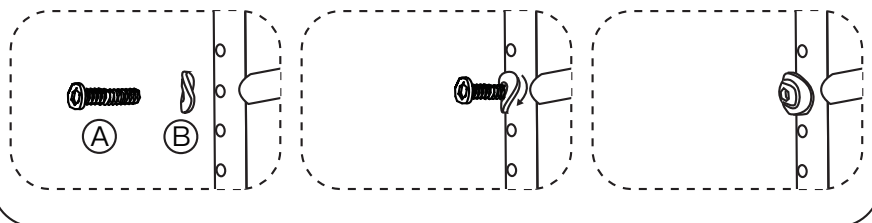


REMARK:

To prevent you from getting hurt during installation, we recommend that you wear gloves before installation.

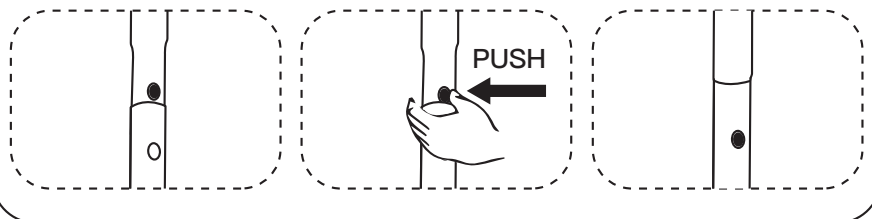
REMARK:

When installing part (A), you need to use part (B), please adjust part (B) as shown in the picture, make part (B) fit the pole.



REMARK:

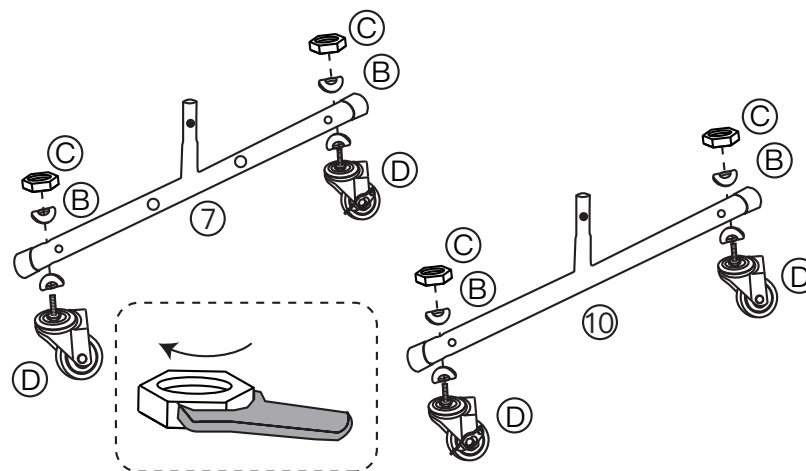
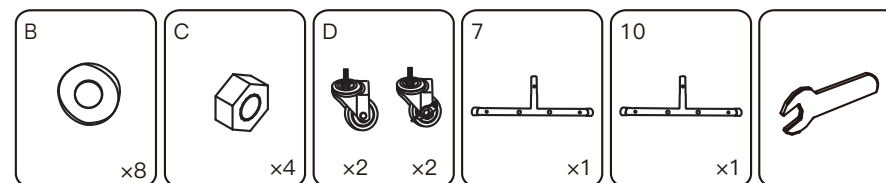
How to use the spring fasteners:



HOW TO INSTALL

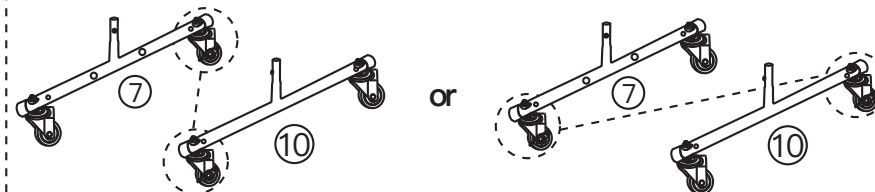
Step 1

Install part (D) on part (7) and part (10). Use part (B) and part (C) to screw them.

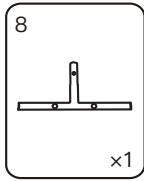
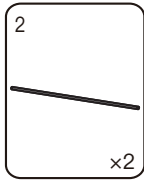


NOTICE:

To make the clothes rack more stable, install the wheels with brakes along the diagonals.

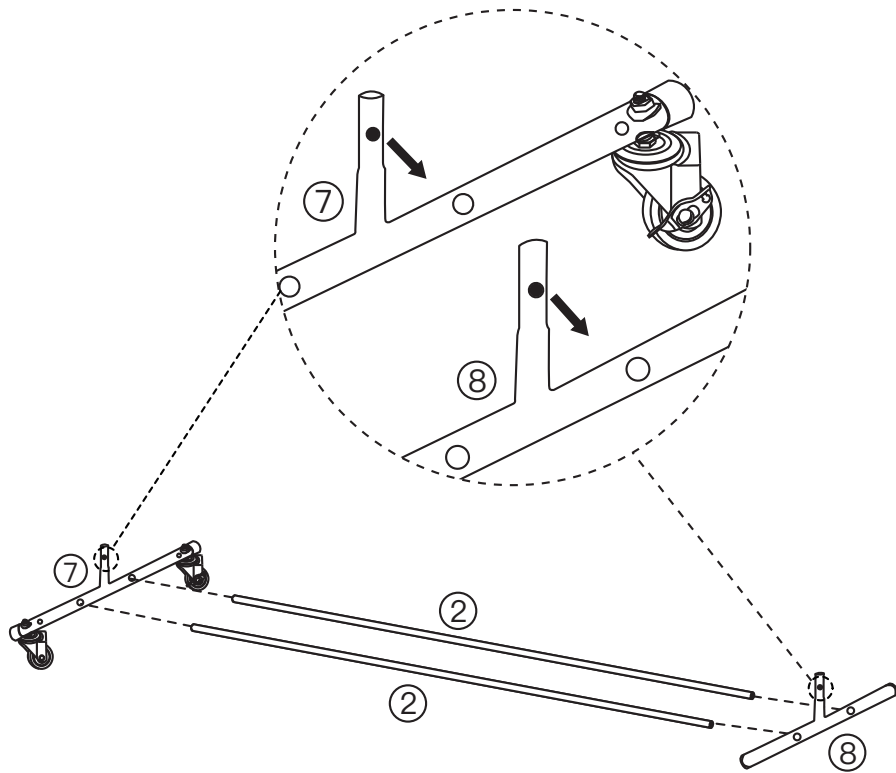


Step 2 Connect part ⑦ and part ⑧ with part ②.

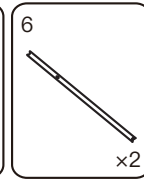
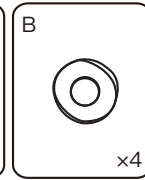
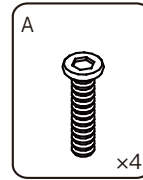


NOTICE:

Make sure the spring fasteners of part ⑦ and part ⑧ are in the same direction.

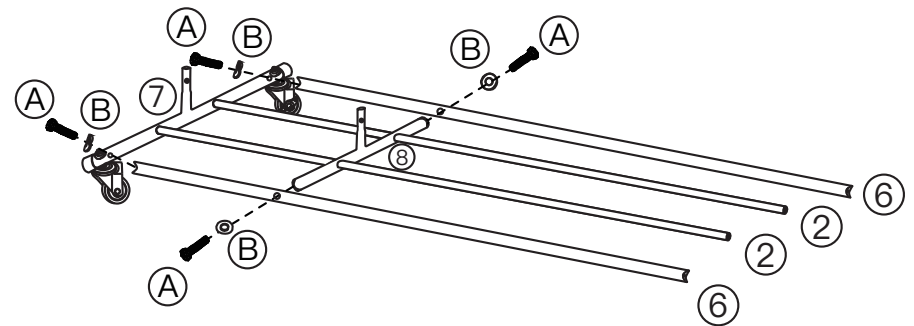
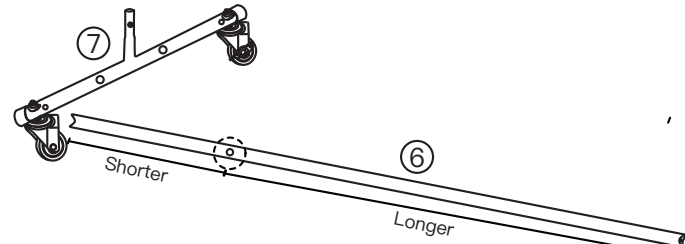


Step 3 Connect part ⑦ and part ⑧ with part ⑥. Use part ① and part ② to screw them.

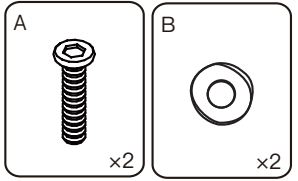


NOTICE:

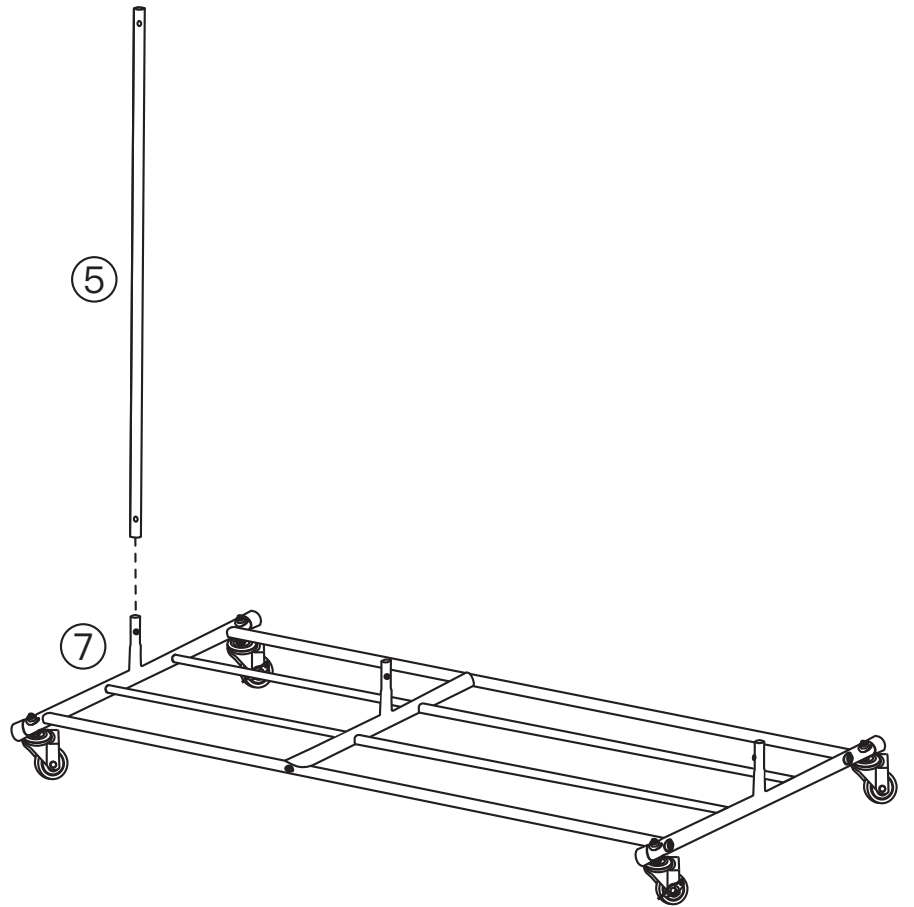
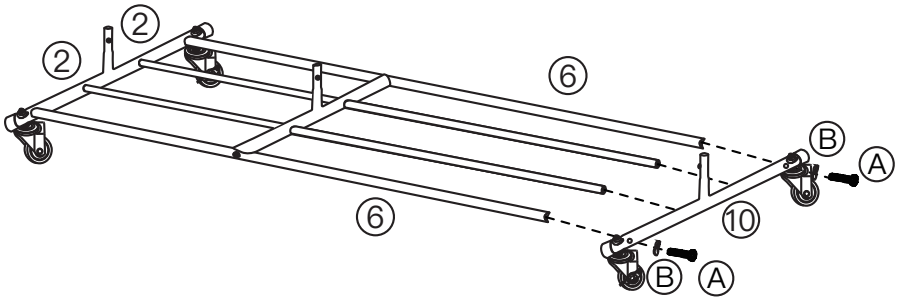
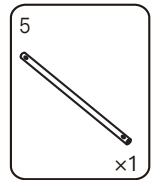
The hole on part ⑥ is not in the middle, please make sure the hole is closer to part ⑦.



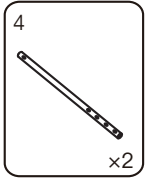
Step 4 Install part ⑩ on part ② and part ⑥. Use part ①A and part ①B to screw them.



Step 5 Install part ⑤ on part ⑦.

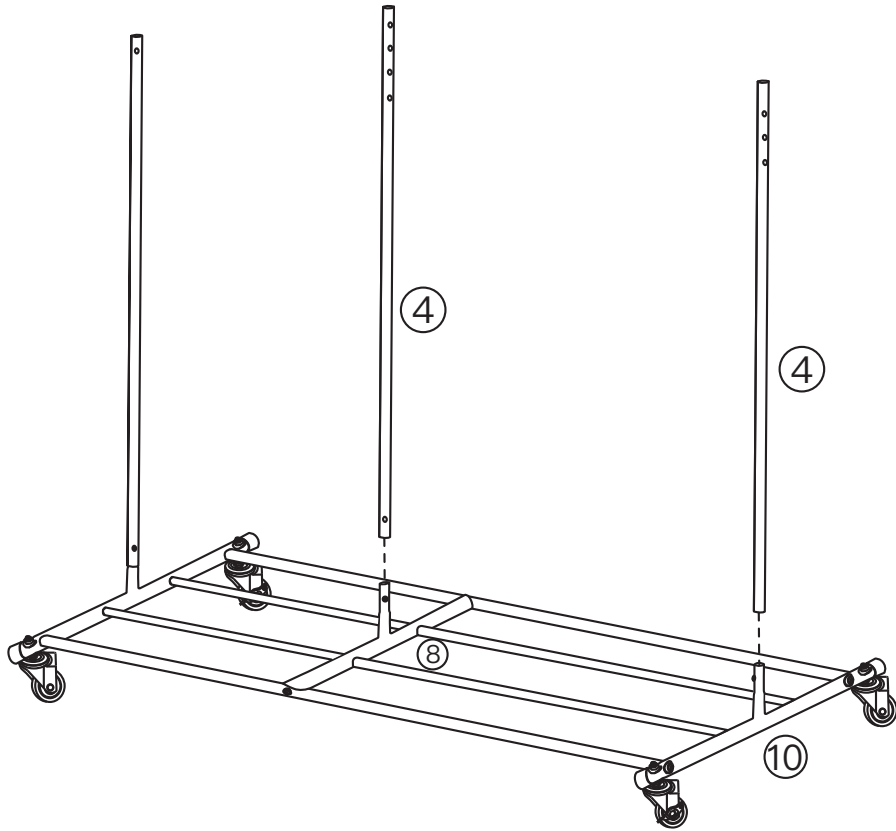


Step 6 Install part ④ on part ⑧ and part ⑩.

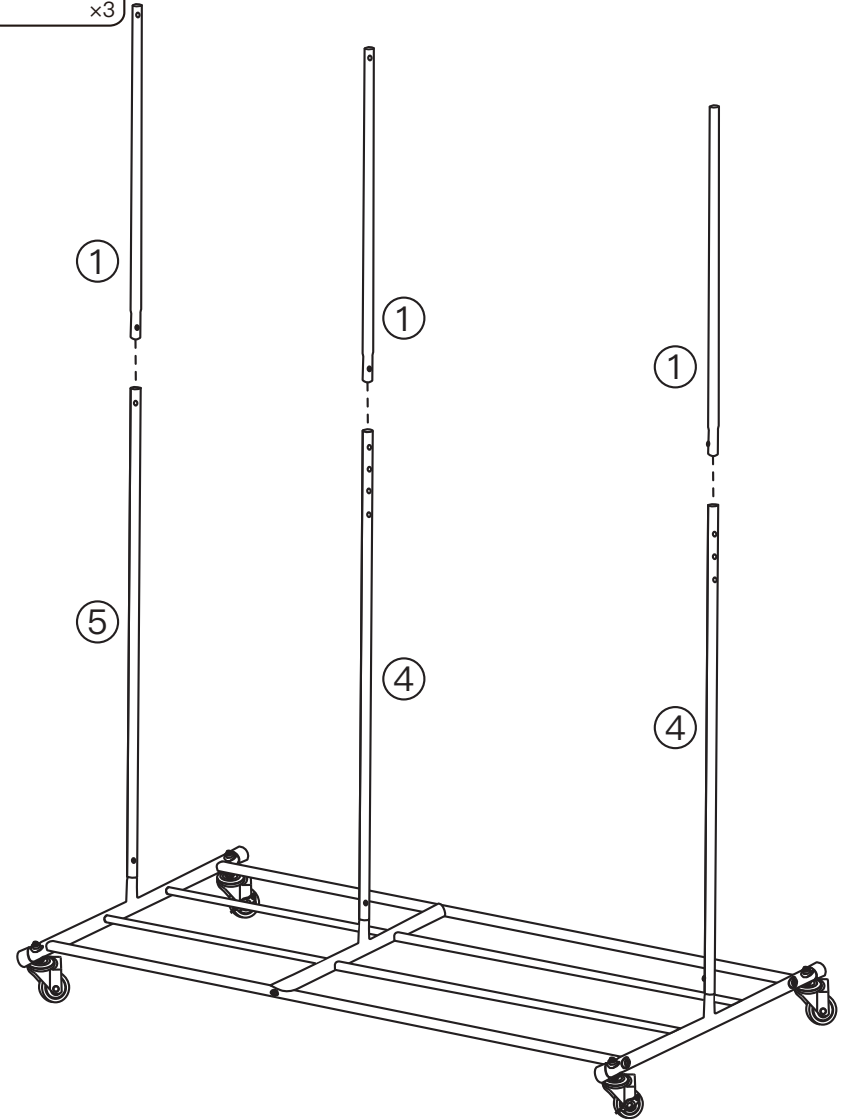
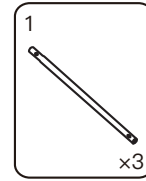


NOTICE:

Make sure the side with only one hole of part ④ is facing down.

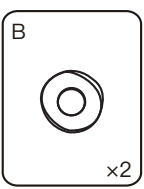
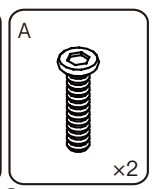
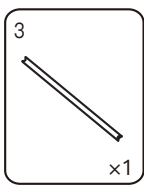


Step 7 Install part ① on part ④ and part ⑤.

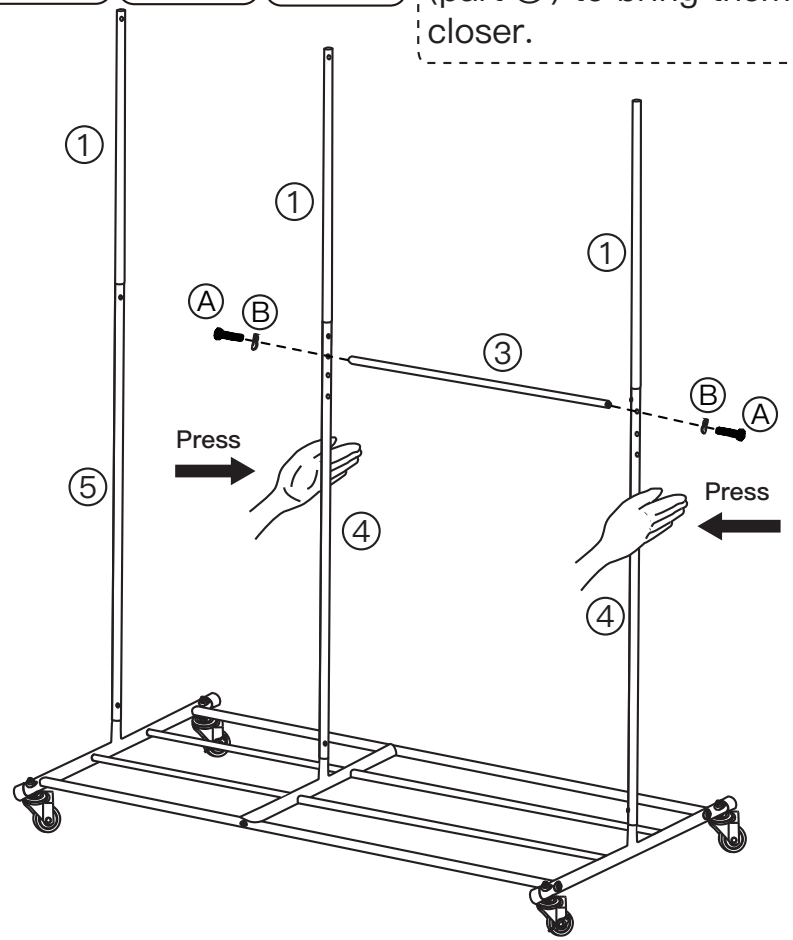


Step 8

Connect part ④ with part ③ .use part ① and part ② to screw them.



NOTICE:
When installing, please gently press the two poles (part ④) to bring them closer.

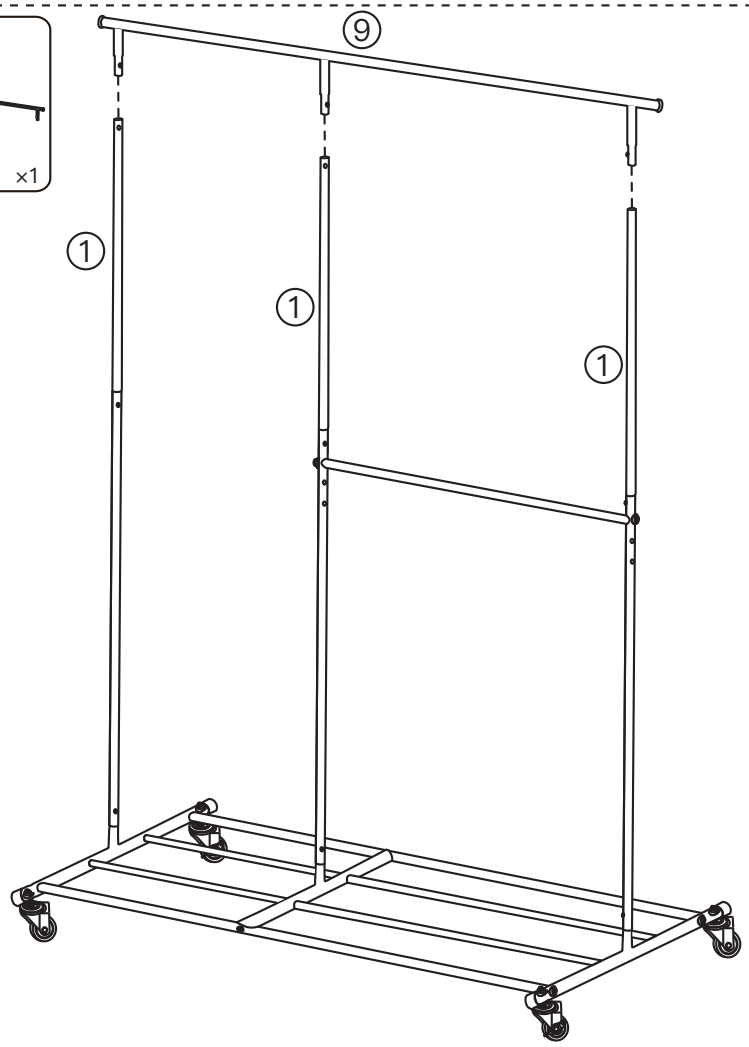
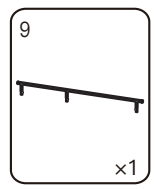


NOTICE:
We provide two additional holes, you can choose the installation position according to your needs.

Step 9

Install part ⑨ in part ① .

NOTICE:
Please press the three spring fasteners of part ⑨ at the same time, try to let the three poles of part ⑨ enter part ① at the same time (this step is recommended to be completed by two people).



Step 10 Complete.

