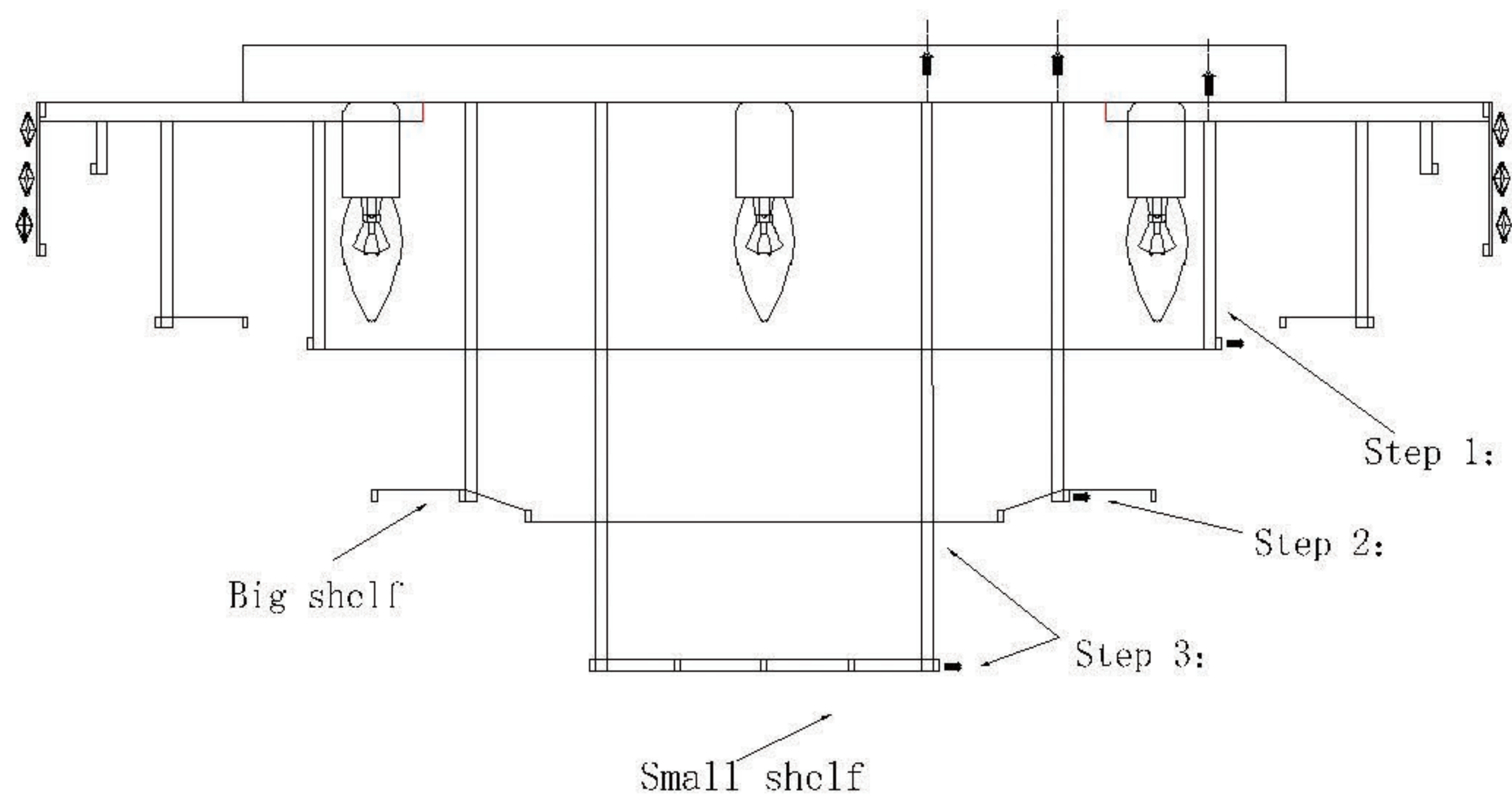


# Light Assembly Diagram

∅800\*H380

This product will be shipped in two packages (lamp body package, crystal ball package). If you only receive one package at the same time, please be patient and wait for the other package or contact us.



Step 1: The large shelf is locked with 130 long square branches, one side is locked on the iron tray, the other is locked on the shelf

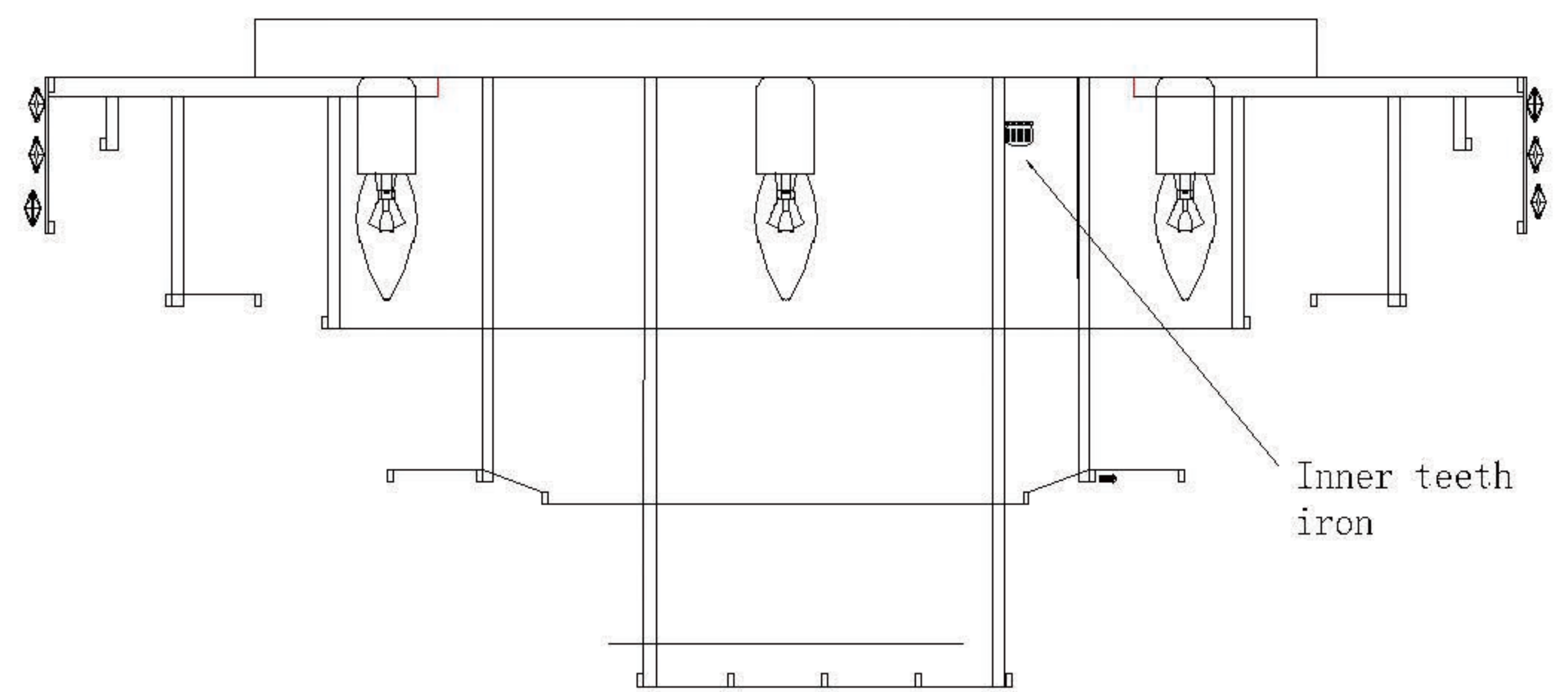
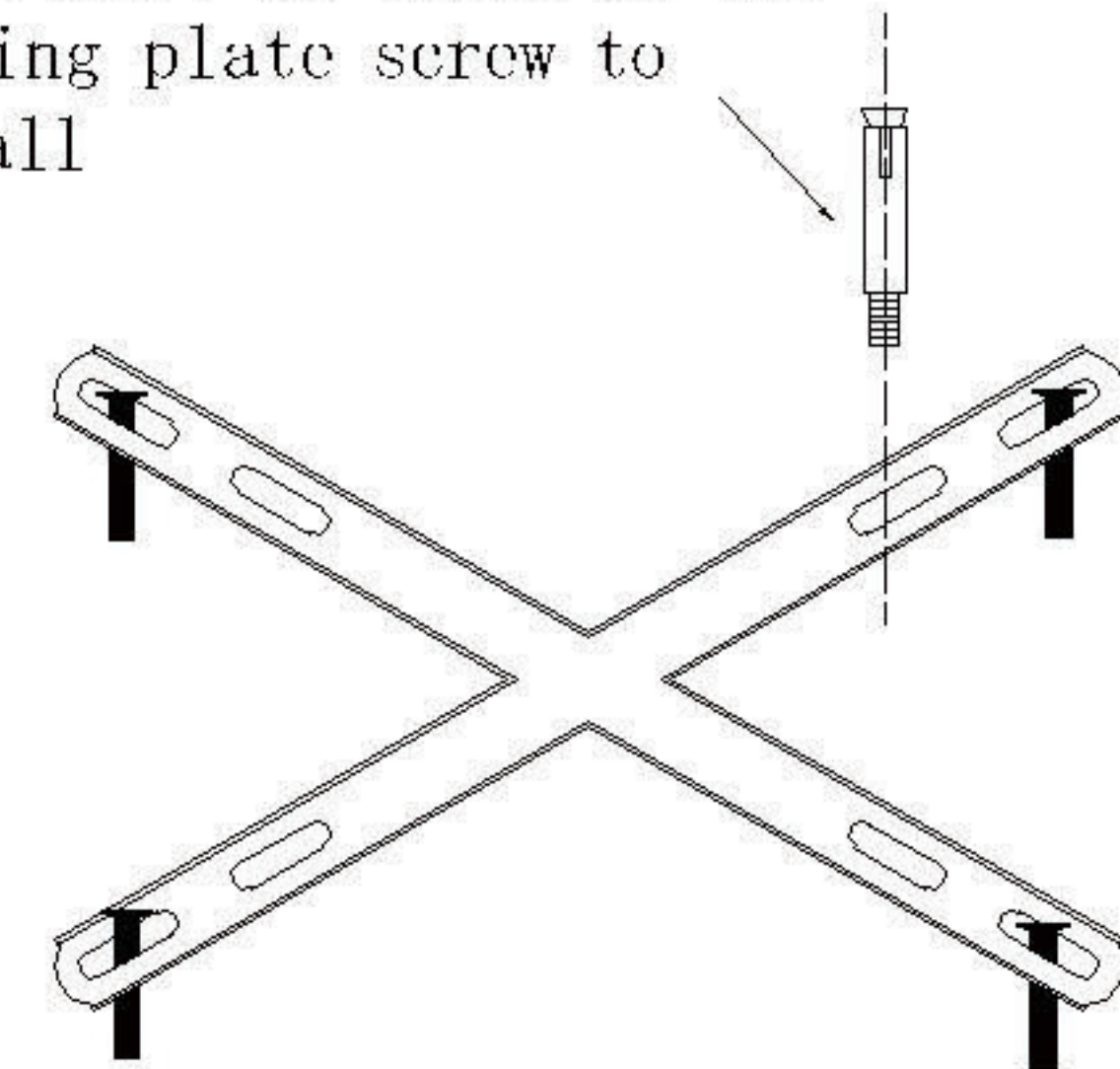
Step 2: The large shelf is locked with 210 long square branches, one side is locked on the iron tray, the other is locked on the shelf

Step 3: The small shelf is locked with 300 long square branches, one side is locked on the iron plate, the other side is locked on the shelf

Step 4: Turn the light bulb on, and then test the electricity, whether it is all bright, and whether the remote control works properly,

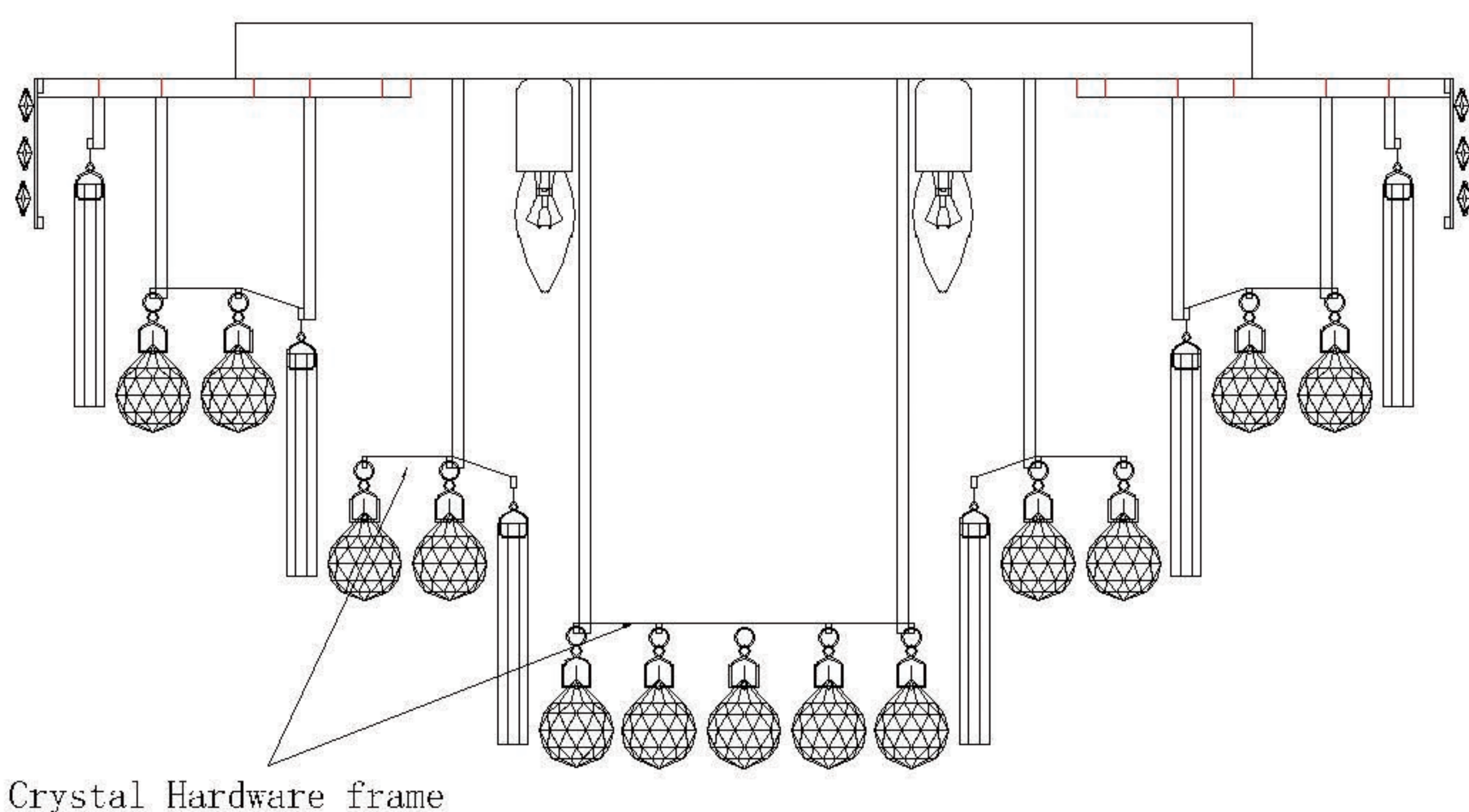
Step 4:

Note that the expansion screw must be close to the hanging plate screw to install

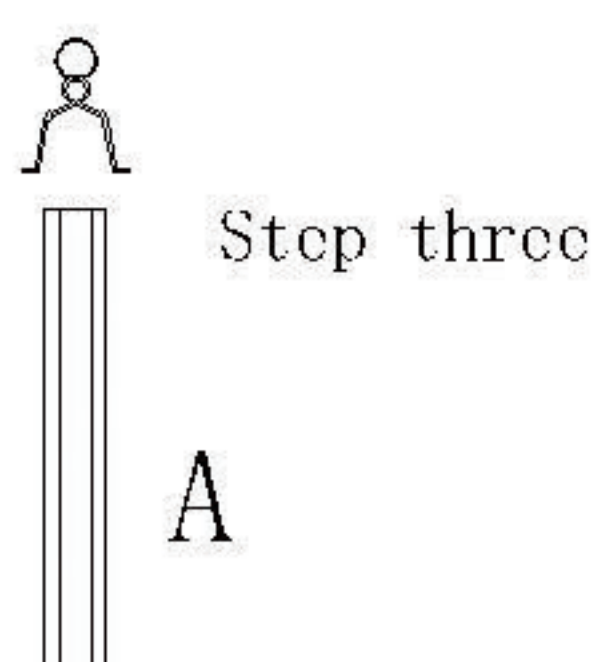


Step 5: First push the hanging plate to the ceiling with expansion screws, and finally lock the chassis to the hanging plate and lock it tightly with the inner teeth.

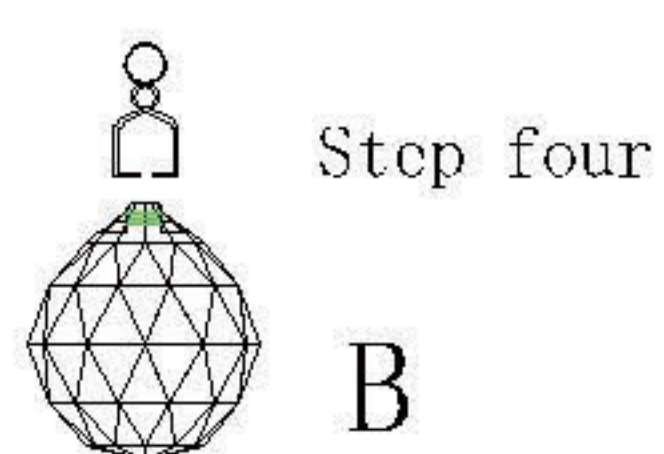
Step 5:



Crystal Hardware frame



Installation method of Plum Blossom Tube



Installation method of Crystal Ball

NO	Water crystal grid	PCS
A	∅16*100mm plum hollow glass rod (steel ring) 14*20 door button)	215
B	40 # crystal ball (door buckle and rims)	140
C	20 # square beads (It's on the shelf)	264

A. The 120 long plum pipe is locked with A door latch, then fitted with a steel ring, and finally hung on the position shown in the figure

B. The crystal ball is first locked with a door latch, then covered with a steel ring, and finally hung on the position as shown in the picture.