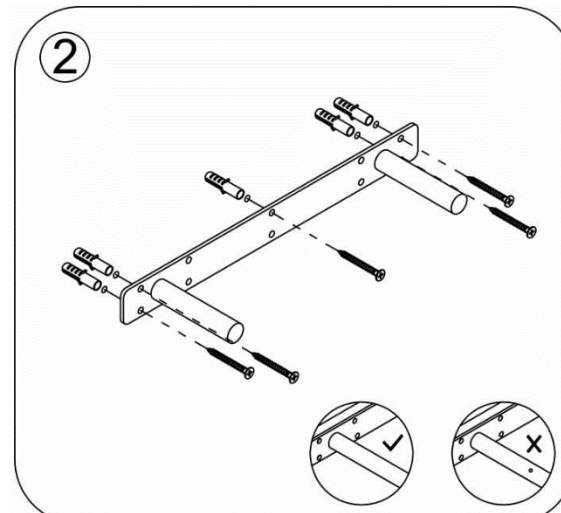
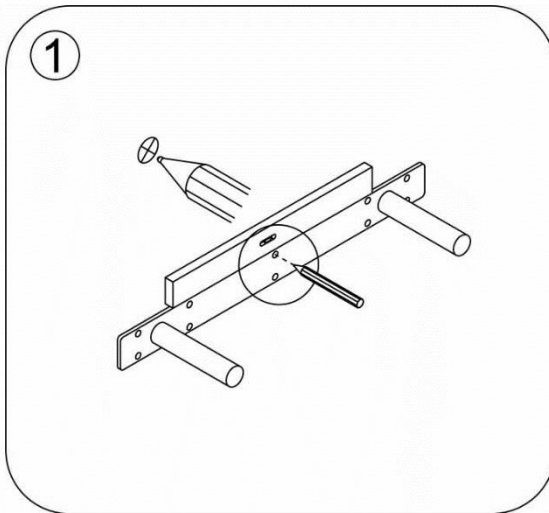


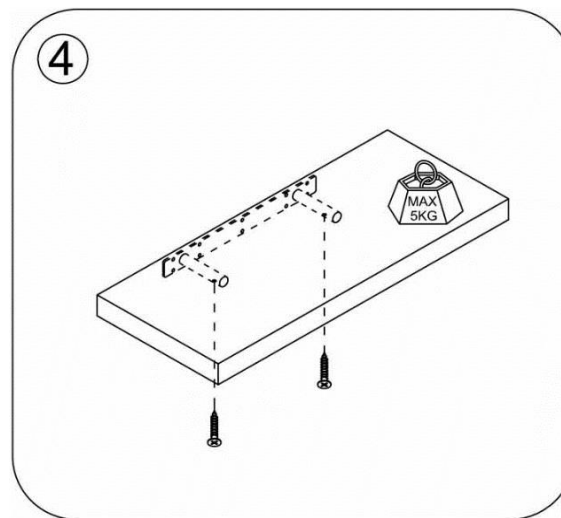
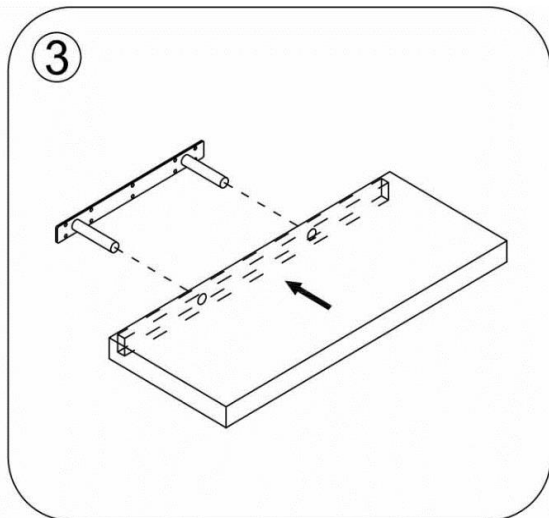


Floating shelf



- Mark the location of the fixing holes through the bracket.
- Drill the holes the same size as the wall plugs.
- Place the wall plugs in the hole.
- Line up bracket and secure into place.
- Make sure the bracket is right way round the fixing holes in the arms face down.
- Place the shelf on the arms.
- Secure into place through the location holes.

Maximum weight on the shelf is 5 KG



**Should you require further details or assistance,
please contact our customer care line on 01562 753040**

GABLEMERE LTD DY11 7FB