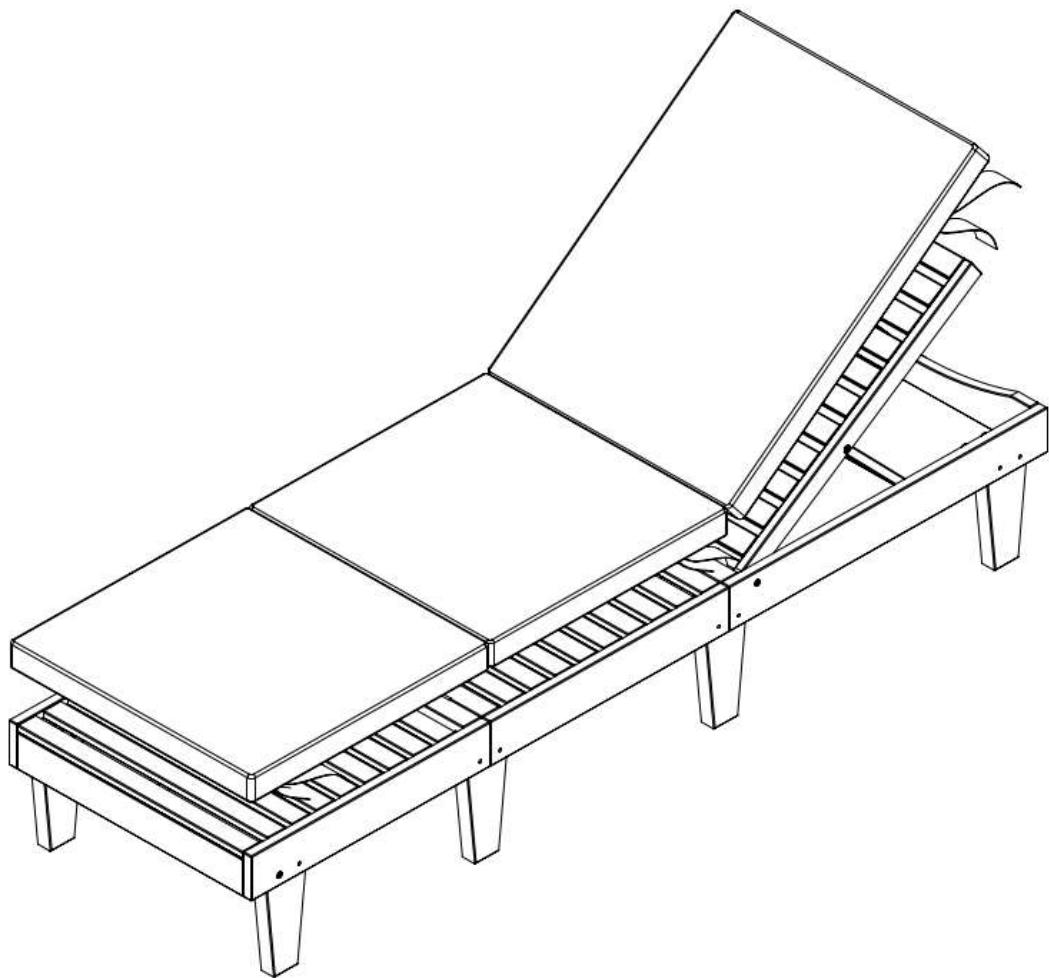


COBER

WOOD OUTDOOR CHAISE LOUNGE



ARROWSTONE
Made in Vietnam

THANK YOU

Dear valued customer,

Thank you for choosing ARROWSTONE to be a part of your home! Your choice means a lot to us, and we're always here to support you. If you have any questions or just want to share your excitement, please reach out through your order or email us at support@arrowstonehome.com. We love hearing from our wonderful customers!

If you have any questions or just want to share your excitement, please reach out through your order or email us at support@arrowstonehome.com.

SAFETY INFORMATION

SAVE THESE INSTRUCTIONS



WARNING: THIS PRODUCT WAS MADE FOR THE EXPLICIT PURPOSE OF PROVIDING OUTDOOR FUNCTIONS AND IS NOT TO BE USED AS A TOY. THIS PRODUCT IS INTENDED FOR NORMAL OUTDOOR USE; HOWEVER, THE MANUFACTURER RECOMMENDS STORING AND/OR COVERING THIS PRODUCT WHEN ANY FORMIDABLE/SEVERE WEATHER IS APPROACHING.



WARNING: DO NOT LOCATE THIS PRODUCT NEAR OPEN FLAMES. DO NOT USE THIS PRODUCT AS A SUPPORT. DO NOT SHAKE OR CLIMB ON THE PRODUCT. CHILDREN UNDER THE AGE OF 10, NEAR THE PRODUCT, SHOULD BE SUPERVISED BY A COMPETENT ADULT AT ALL TIMES. THIS PRODUCT IS NOT INTENDED FOR COMMERCIAL USE, WHICH WILL VOID THE WARRANTY.

READ ALL INSTRUCTIONS BEFORE USE

To reduce the risk of injury to persons:

1. For your safety, assembly by two or more adults is strongly recommended
2. Use only vendor-supplied hardware to assemble this item. Using unauthorized hardware could jeopardize the structural integrity of the item
3. Do not move the chaise lounge while it is occupied. Failure to obey this caution could result in injury.
4. Close supervision is necessary when this furnishing is used by or near children, or disabled persons, if applicable.



WARNING: Do not use the chaise lounge before all the screws/bolts are fully tightened. If the screws/bolts are not fully tightened, the chaise lounge section can become loose and may cause the chaise lounge to collapse which may result in injury or damage



CAUTION: When not in use, secure the product in a cool and covered location

WARRANTY - GUARD

TYPE OF WARRANTY

WHAT IS COVERED

1 Year Limited Frame Warranty

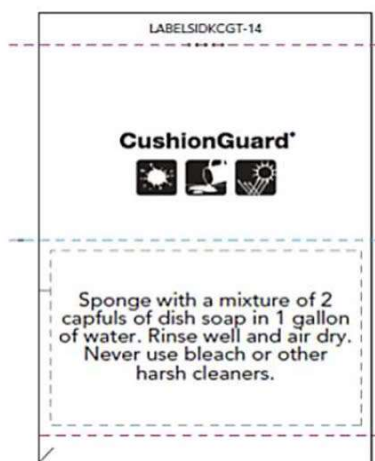
Frames are warranted to be free from defects in material and workmanship. Fading or discoloring caused by putting the product under sunlight or rain is not covered by this limited warranty. Damage to frame due to improper assembly or exposure to water and sub-freezing temperatures is not covered. Do NOT allow water to accumulate inside the frame

WHAT IS NOT COVERED

Furniture used for commercial, contractor or any non-residential purposes, clearance items, display models or items purchased "as is", freight damage, furniture damaged by acts of nature, vandalism, fire, abuse, lack of proper care and maintenance, or improper assembly, straps and fabric against fading or discoloration from exposure to elements, oil spills, fluids or chemicals; glass against breakage; hardware against corrosion or rusting; buckling or splitting of tubing resulting from exposure to water and freezing temperatures.

CUSHION GUARD

Cushion Guard - Polyester



Contact the customer service at support@arrowstonehome.com

PRE-INSTALLATION

PLANNING INSTALLATION

Assemble your unit in an area free from any objects that might scratch the surface of your unit.

Examine all packing material before discarding as shortages may occur from parts left in the packing material.

Please read the instructions carefully, and verify all parts are included

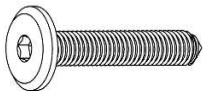


NOTE: Tools not shown to actual size

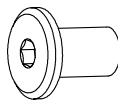
HARDWARE INCLUDED



NOTE: Hardware not shown to actual size.



___AA



___BB



___CC



___DD

Part	Description	Quantity
AA	Bolt M6 x 35 mm	16+1
BB	Sleeve Nut M6	16+1
CC	Screw TFX Ø6.2 x 13 mm	4+1
DD	Allen Key Hexagon	2

PRE-INSTALLATION

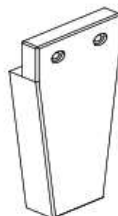
PACKAGE CONTENTS



___ A



___ B



___ C



___ D

Part	Description	Quantity
A	Seat panel part 1	1
B	Seat panel part 2	1
C	Legs	8
D	Cushion	1

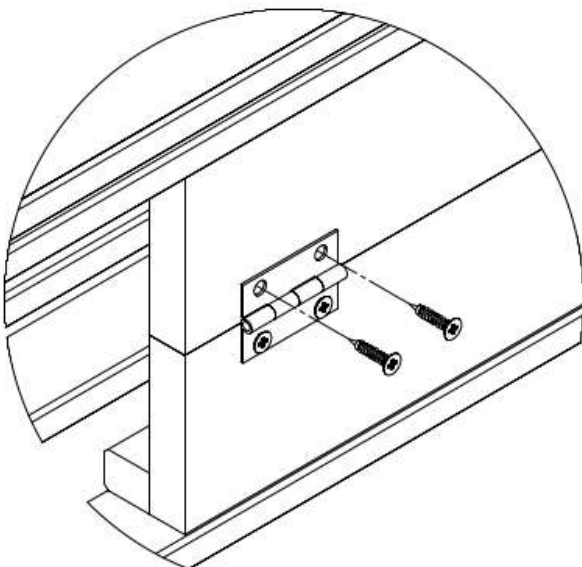
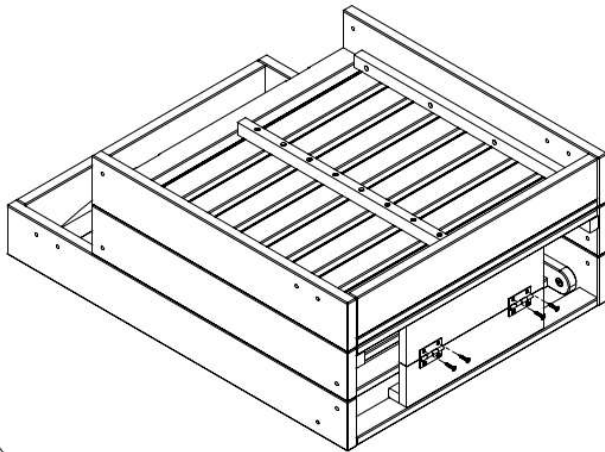
INSTALLATION

1 Connect seat part 1 to seat part 2

- Place all the parts on a clean, non-marring surface to avoid the product surface being scratched
- Connect seat part 1 (A) to seat part 2 (B) using screw (CC) as shown below
- Using screwdriver to tighten all screw (CC)



NOTE: Place all the parts on a clean, non-marring surface to avoid the product surface being scratched

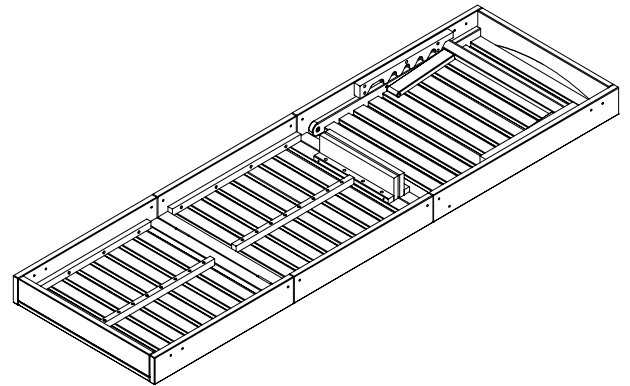
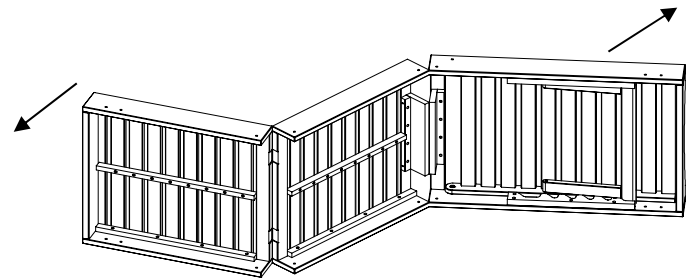


2 Lay the Seat Panel facedown onto a clean, non-marring surface

- Gently unfold the Seat Panel as shown below.
- Lay the Seat Panel facedown onto a clean, non-marring surface as shown below



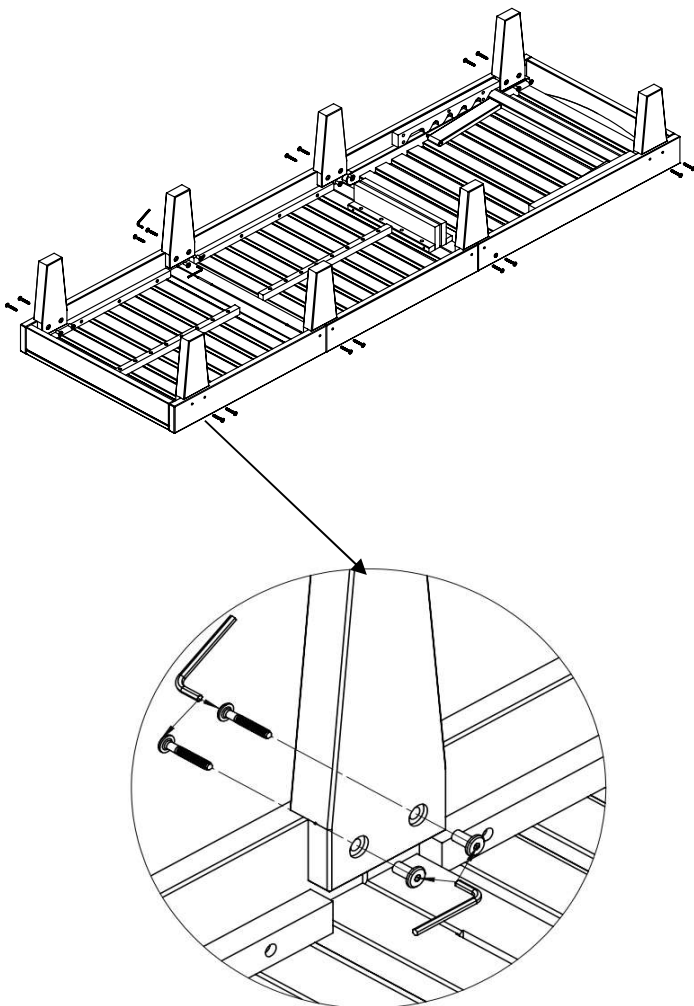
NOTE: Place all the parts on a clean, non-marring surface to avoid the product surface being scratched



INSTALLATION

3 Attaching the legs to the seat panel

- Attach the legs (C) to the seat panel by using bolts (AA) and sleeve nuts (BB). The legs must be attached as shown below.
- Tighten all the bolts (AA) & sleeve nuts (BB) using the Allen Key hexagon (DD)

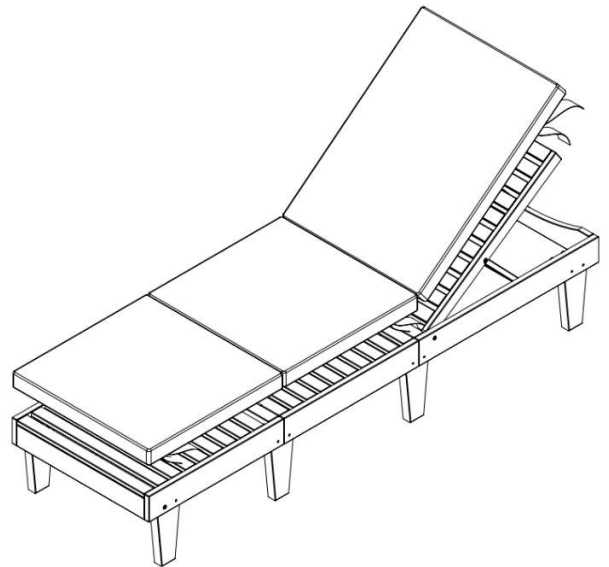


4 Completing the assembly

- Stand the chaise lounge right up, inspect it and make sure all parts are adequately connected.
- Place the Cushion (D) on to the chaise lounge and fasten the cushion to the seat with Velcro traps.
- The product is ready to use.



NOTE: Double check that the parts are properly connected, and bolts are tight before use



MAINTENANCE

1. Wood is a living material that continues to respond to climate conditions even after being made into a piece of furniture.
2. After assembling, rub the furniture with a soft rag to remove any residual dust. Wood is a natural material whose appearance will change when left outdoors. This product has been treated prior to leaving the factory. To clean, use mild soap and warm water. Do not use abrasive material, cleansers, or bleach products. Dry thoroughly with a soft cloth.
3. Even though this piece of furniture is extremely durable and long lasting, to prolong life we recommend bringing it indoors during freezing temperatures. Place it in a shaded area and do not leave it in standing water or on wet ground.
4. Do not put hot items directly on the furniture surface.
5. Do not store furniture in areas that have central heating or cooling vents to prevent excessive drying of the wood. This will decrease the furniture's longevity.
6. To maintain the product's durability, please read carefully.
7. Cover your furniture during winter months or move into covered storage, if in wet climates.
8. The manufacture supports protection of the world's forest resources and is diligent in sourcing legally harvested wood.

ARROWSTONE

Retain this manual for future use.