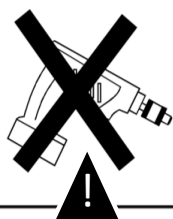
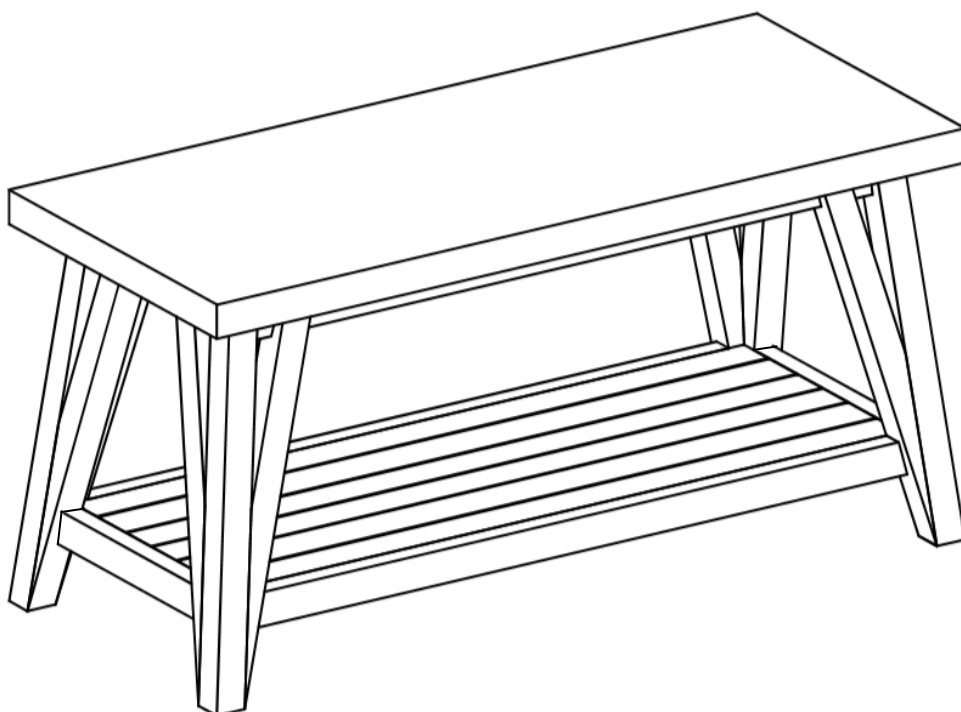
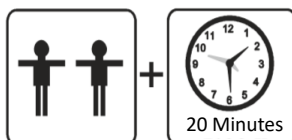


ASSEMBLY INSTRUCTIONS

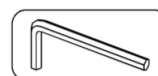
BENCH



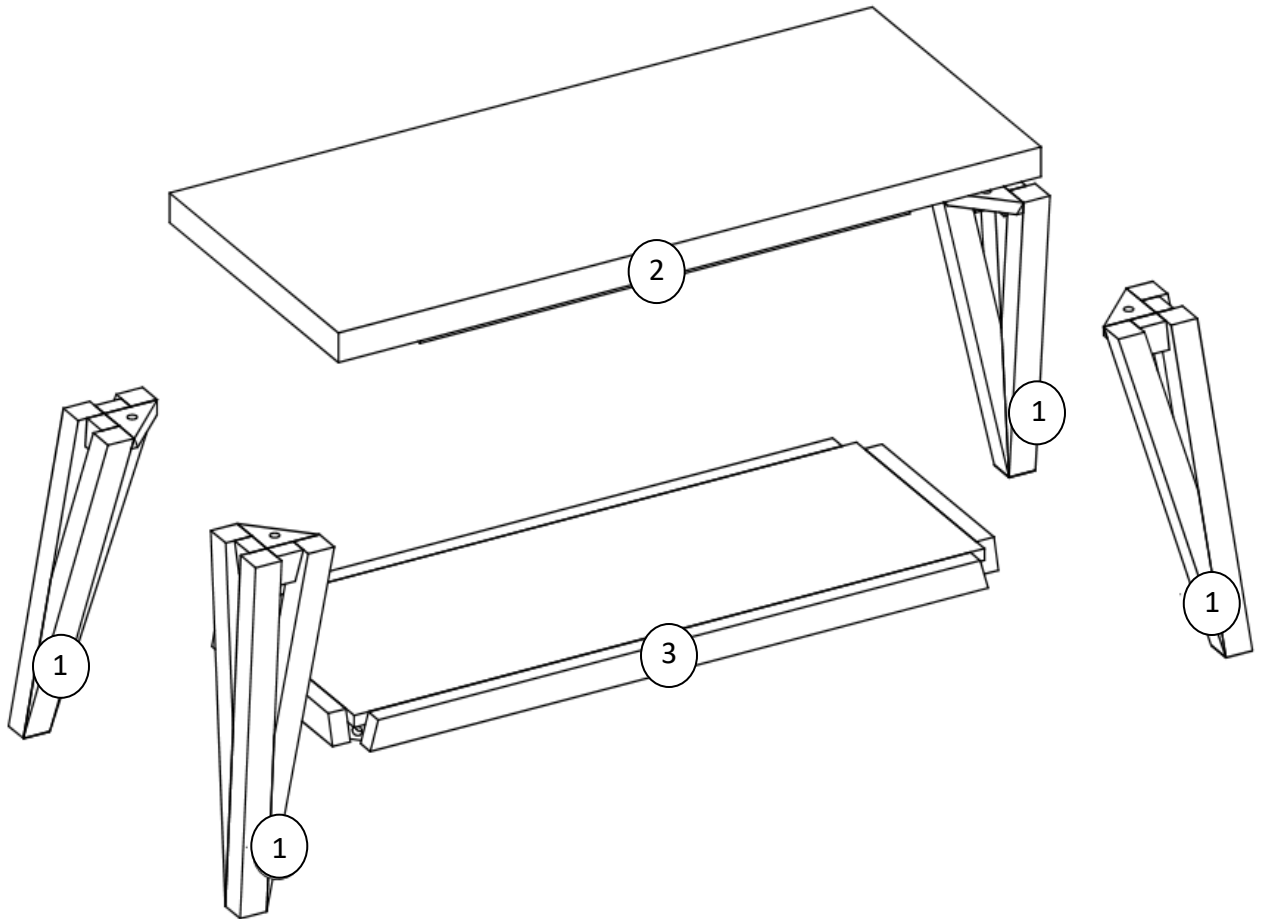
* Use of power tool to assemble this product will invalidate any claim and damage this product making it unsafe !!!
* Please assemble on a clean soft surface to avoid damage.



Tools Included



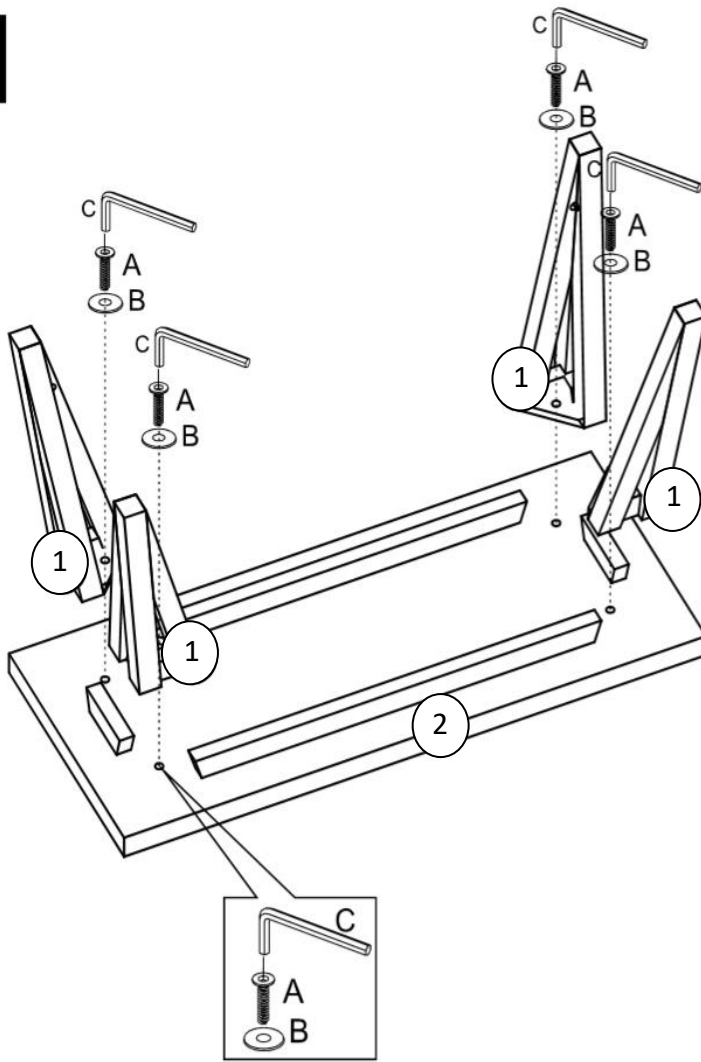
Part List - Bench



Identifying the Hardware-Identify the hardware using the illustrations below.



01

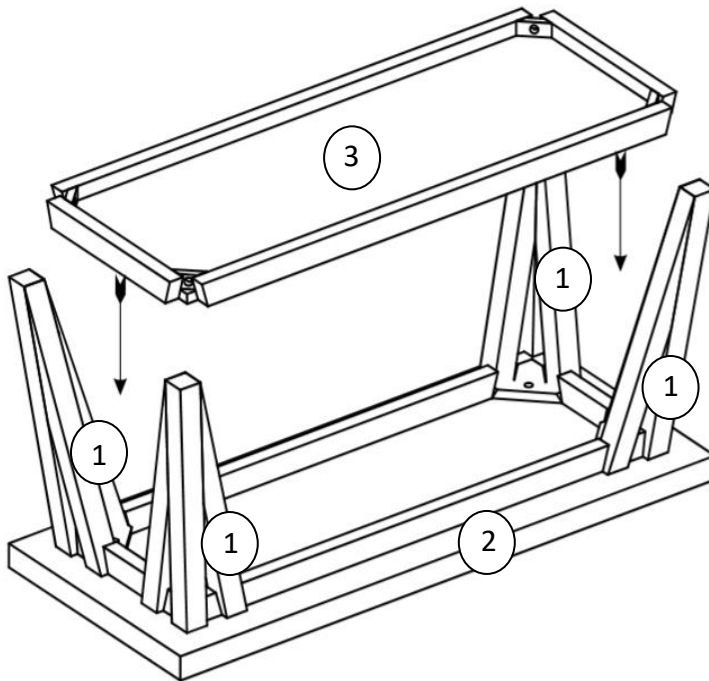


A  04
M8 X 45mm




B  04

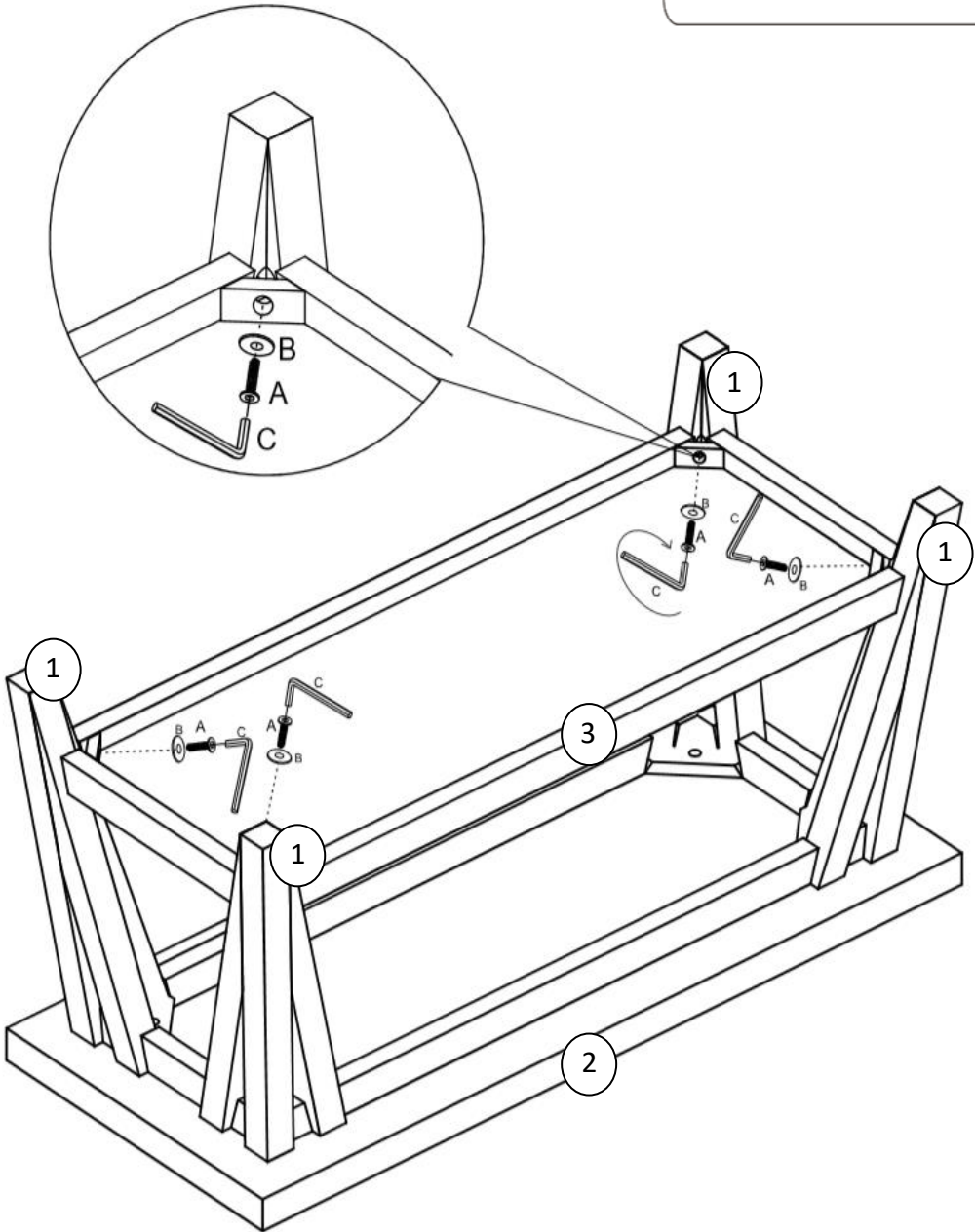
C  01

02



03

A		04
M8 X 45mm		
B		04
C		01



04

