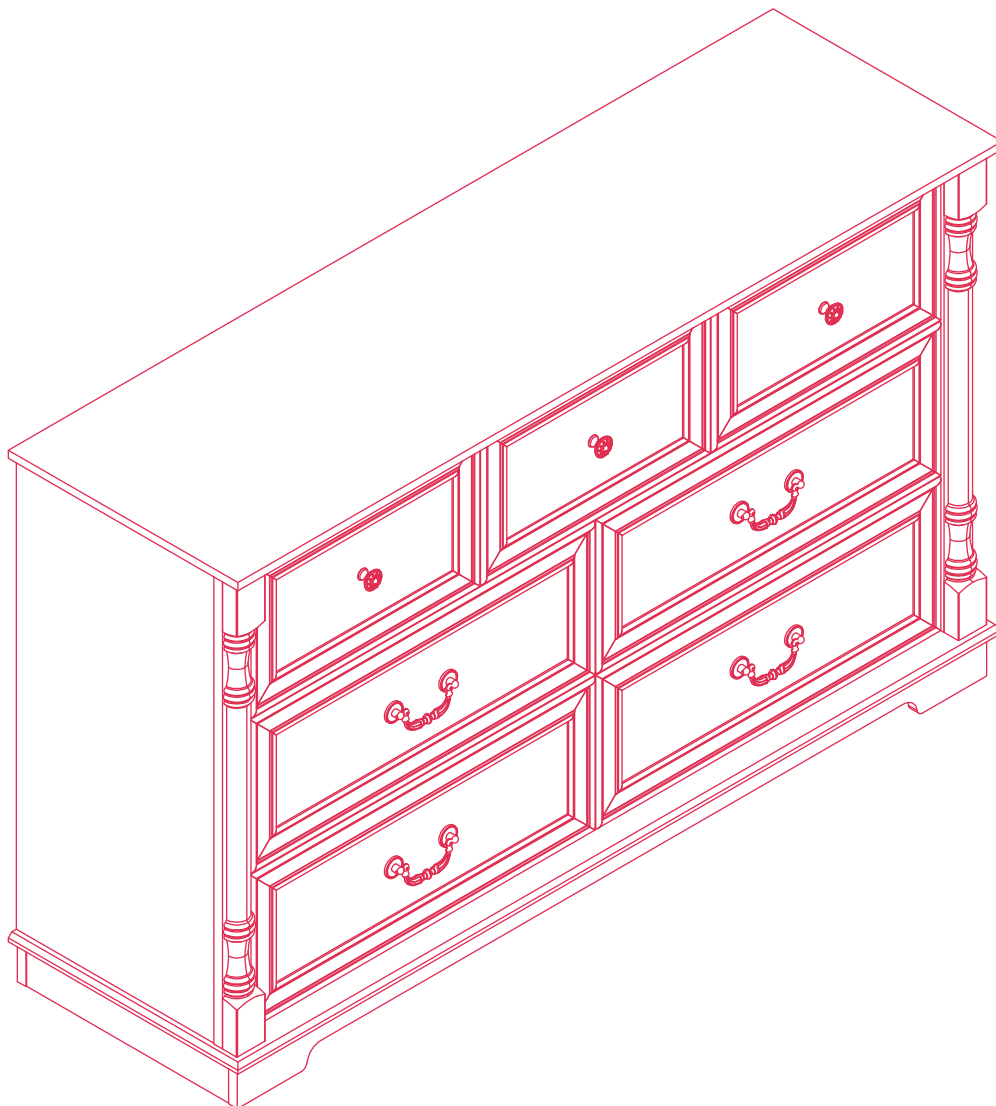


# Storage Box

*Thank you very much  
for purchasing our product*

## INSTRUCTION MANUAL



- E-mail  
[support@pamapic.com](mailto:support@pamapic.com)

- Facebook  
[@pamapic.official](https://www.facebook.com/pamapic.official)



---

If you have any question please  
contact customer service:

**E-mail:** [support@pamapic.com](mailto:support@pamapic.com)  
Facebook: @pamapic.official

---

## Safety precautions

### ⚠ WARNING

- Please read and understand this entire manual before attempting to assemble or install the product.
- Please do not use any power tools in the assembly of this item. Use of power tools may cause damage and void manufacture warranty.
- Some parts may contain sharp edges. Please wear protective gloves when assemble or install the product.
- Assemble the item on a soft, non-abrasive surface such as carpeting to avoid damage.
- Keep all children and pets away from assembly area. Children and pets should be supervised when they are in the area of the sofa set construction.
- Item is heavy. Please handle with care. Two or more people are required for this assembly.

### CAUTION

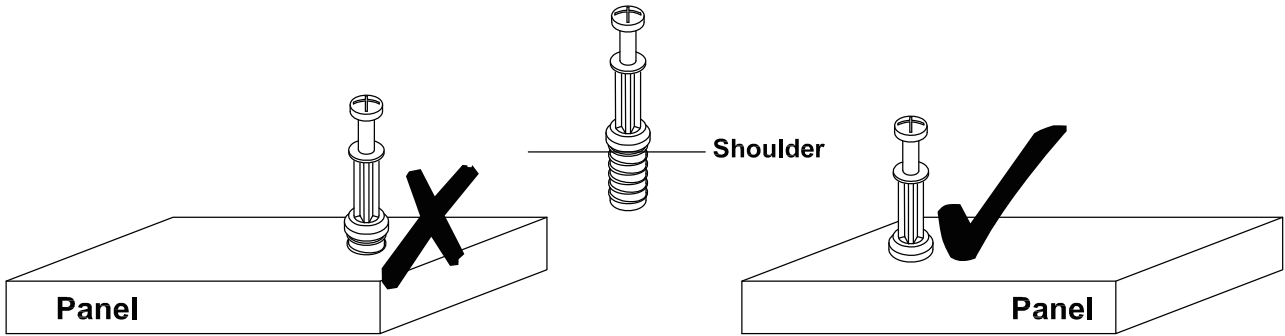
- During assembly please take care not to over-tighten any fittings, as this may damage the product.
- Firmly secure all bolts, screws and knobs before use.
- Reconfirm that all bolts, screws, and knobs are secure every 90 days.
- Do not use or store this item in the proximity of open flame or flammable/combustible chemicals.
- If any parts are missing, broken, damaged, or worn, stop using this product until repairs are made and/or factory replacement parts are installed.

### ATTENTION

- Before assembling of product, compare every part with parts list. If any part is missing or damaged, do not attempt to assemble the product and contact us immediately.
- We care about every customer's using experience, please feel free to chat us if have some advice, efficient solution would be offered soon.
- Place out of direct sunlight so the color remains fresh and crisp.
- Dust or wipe clean with a cloth dampened with water. Be sure not to leave water spots on the surface. These water spots will dry and could possibly leave permanent marks.

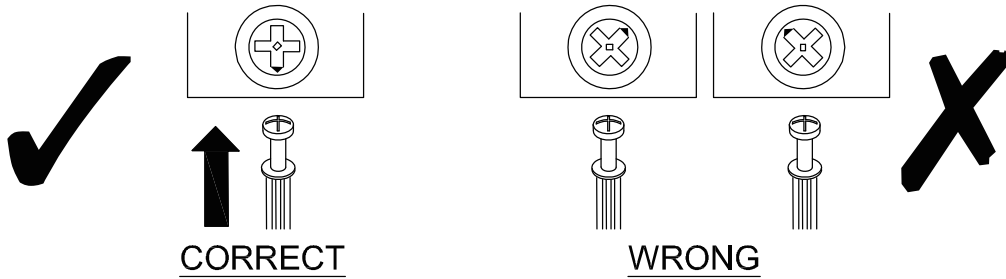
**Note:**

**QUICKFIT**



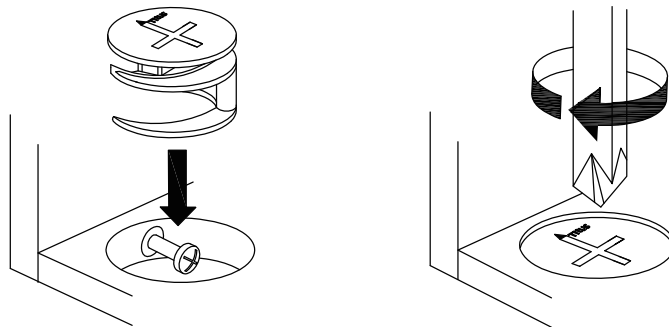
Tighten quickfit until shoulder is flush with panel. Do not overtighten or undertighten.

**CAM LOCK**



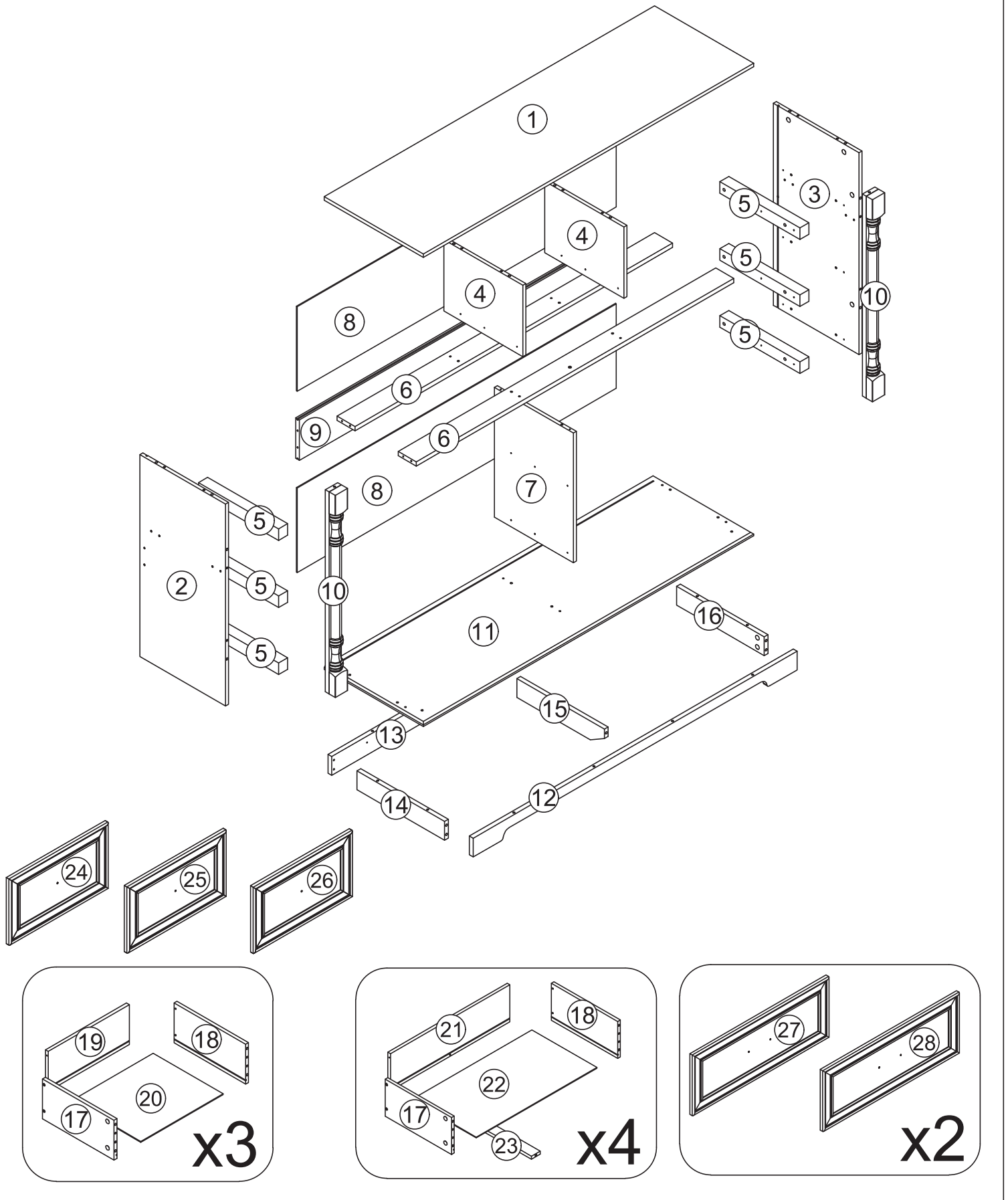
When fitting cam lock, ensure starting position is correct before you insert connecting quickfit.

Quickfit head should be in the centre line of the cam lock when the two panels are joined. Cam lock should be inserted before quickfit.



Turn cam lock clockwise to tighten.

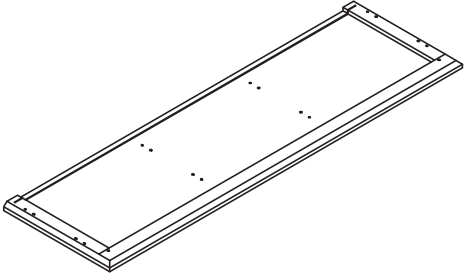
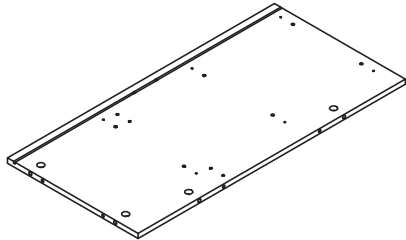
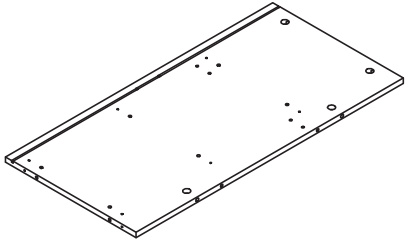
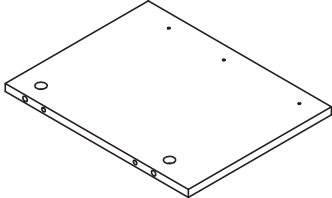
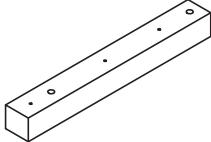
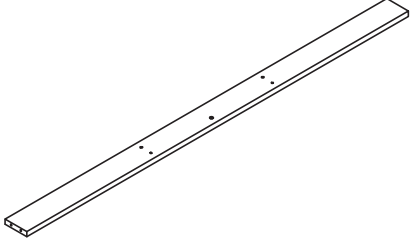
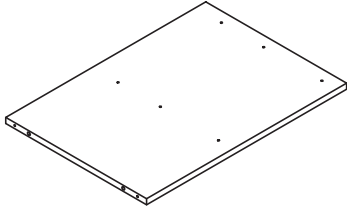
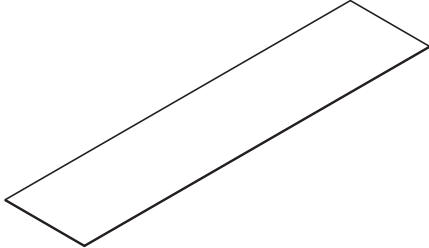
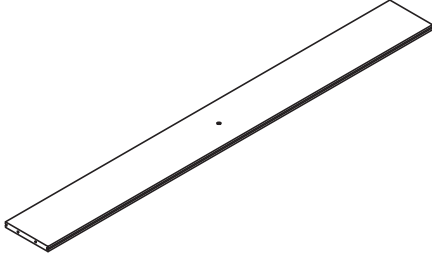
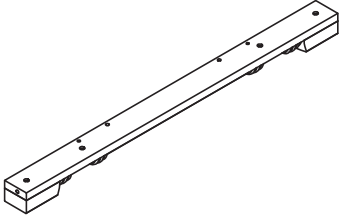
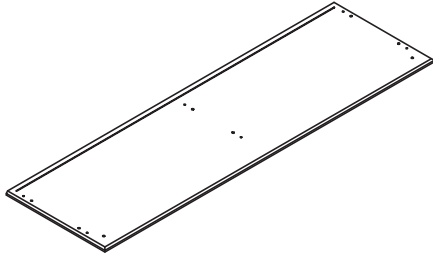
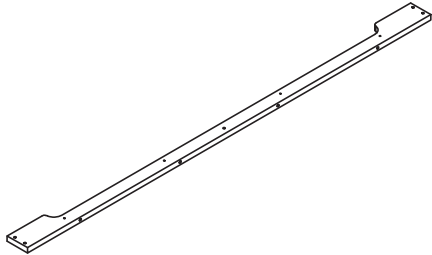
# Exploded Drawing



If you have any question please contact customer service:

E-mail: [support@pamapic.com](mailto:support@pamapic.com)  
Facebook: @pamapic.official

# Parts

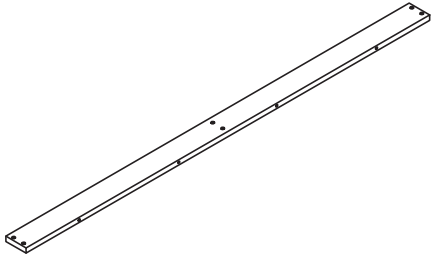
<p>1 1PC</p> 	<p>2 1PC</p> 	<p>3 1PC</p> 
<p>4 2PCS</p> 	<p>5 6PCS</p> 	<p>6 2PCS</p> 
<p>7 1PC</p> 	<p>8 2PCS</p> 	<p>9 1PC</p> 
<p>10 2PCS</p> 	<p>11 1PC</p> 	<p>12 1PC</p> 

If you have any question please  
contact customer service:

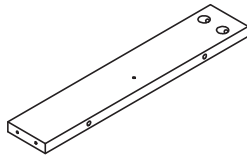
**E-mail:** [support@pamapic.com](mailto:support@pamapic.com)  
**Facebook:** @pamapic.official

# Parts

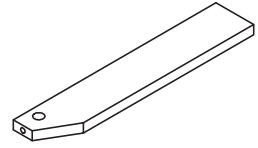
13 1PC



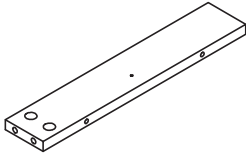
14 1PC



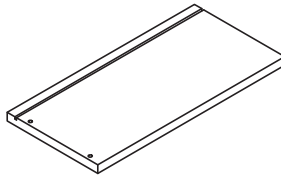
15 1PC



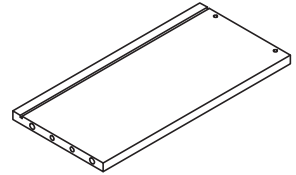
16 1PC



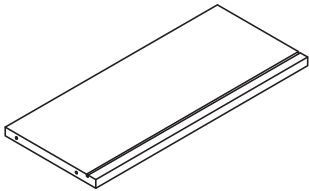
17 7PCS



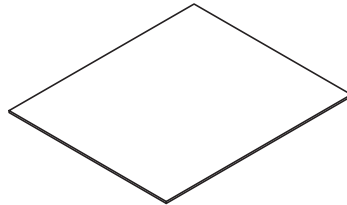
18 7PCS



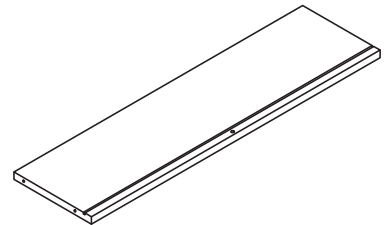
19 3PCS



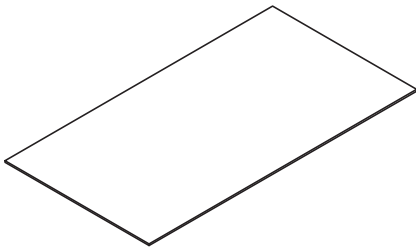
20 3PCS



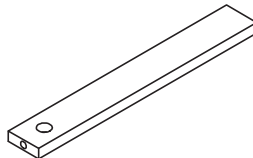
21 4PCS



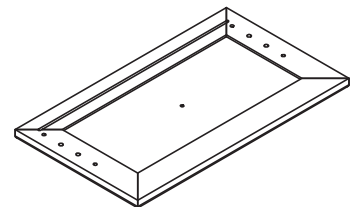
22 4PCS



23 4PCS



24 1PC



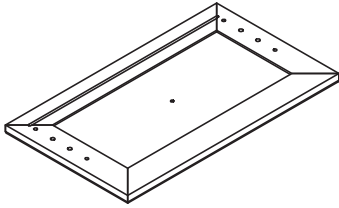
If you have any question please  
contact customer service:

**E-mail:** [support@pamapic.com](mailto:support@pamapic.com)

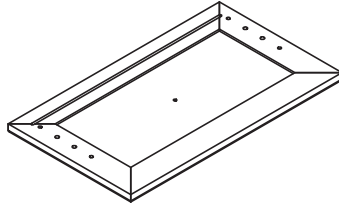
Facebook: [@pamapic.official](https://www.facebook.com/pamapic.official)

# Parts

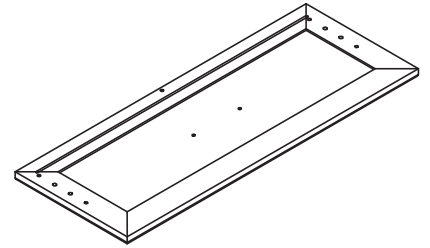
25 1PC



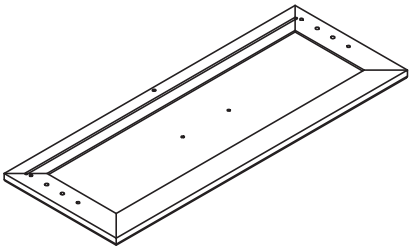
26 1PC



27 2PCS



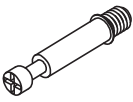



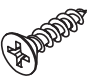
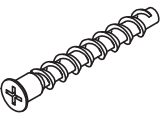
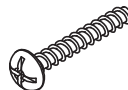
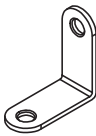


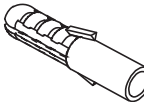
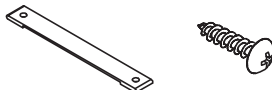

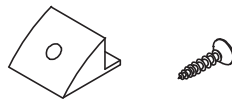
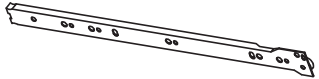



28 2PCS



If you have any question please  
contact customer service:

**E-mail:** [support@pamapic.com](mailto:support@pamapic.com)  
**Facebook:** @pamapic.official

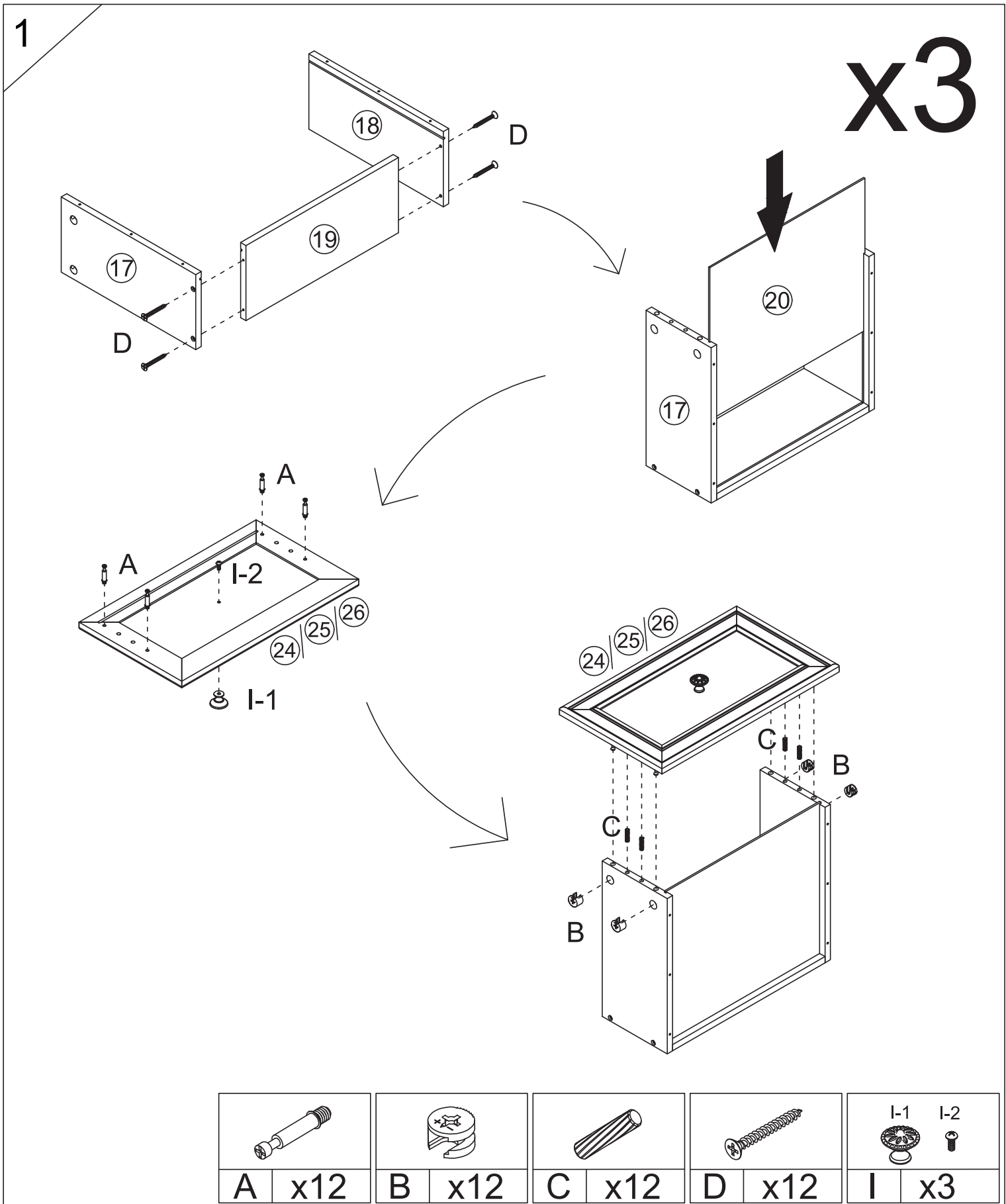
# Parts

<p><b>A</b> M6*35</p>  <p>49 PCS +3(spare)</p>	<p><b>B</b> Ø15*10</p>  <p>49 PCS +3(spare)</p>	<p><b>C</b> Ø6*30</p>  <p>80 PCS +3(spare)</p>	<p><b>D</b> M4*35</p>  <p>53 PCS +3(spare)</p>
<p><b>E</b> M3.5*12</p>  <p>104 PCS +5(spare)</p>	<p><b>F</b> M5*40</p>  <p>12 PCS +1(spare)</p>	<p><b>G</b> Ø4*30</p>  <p>12PCS</p>	<p><b>H</b></p>  <p>10PCS</p>
<p><b>I</b></p> <p>I-1    I-2</p>  <p>3PCS</p>	<p><b>J</b></p> <p>J-1    J-2    J-3</p>  <p>4PCS</p>	<p><b>K</b></p>  <p>2PCS</p>	<p><b>L</b> M4*14</p> <p>L-1    L-2</p>  <p>2PCS</p>
<p><b>M</b></p>  <p>12 PCS +2(spare)</p>	<p><b>N</b> M3*16</p> <p>N-1    N-2</p>  <p>10 PCS +1(spare)</p>		
<p><b>CL</b> 300mm</p>  <p>7PCS</p>	<p><b>CR</b> 300mm</p>  <p>7PCS</p>	<p><b>DL</b> 300mm</p>  <p>7PCS</p>	<p><b>DR</b> 300mm</p>  <p>7PCS</p>

If you have any question please  
contact customer service:

**E-mail:** [support@pamapic.com](mailto:support@pamapic.com)  
**Facebook:** @pamapic.official

# Assembly Instructions



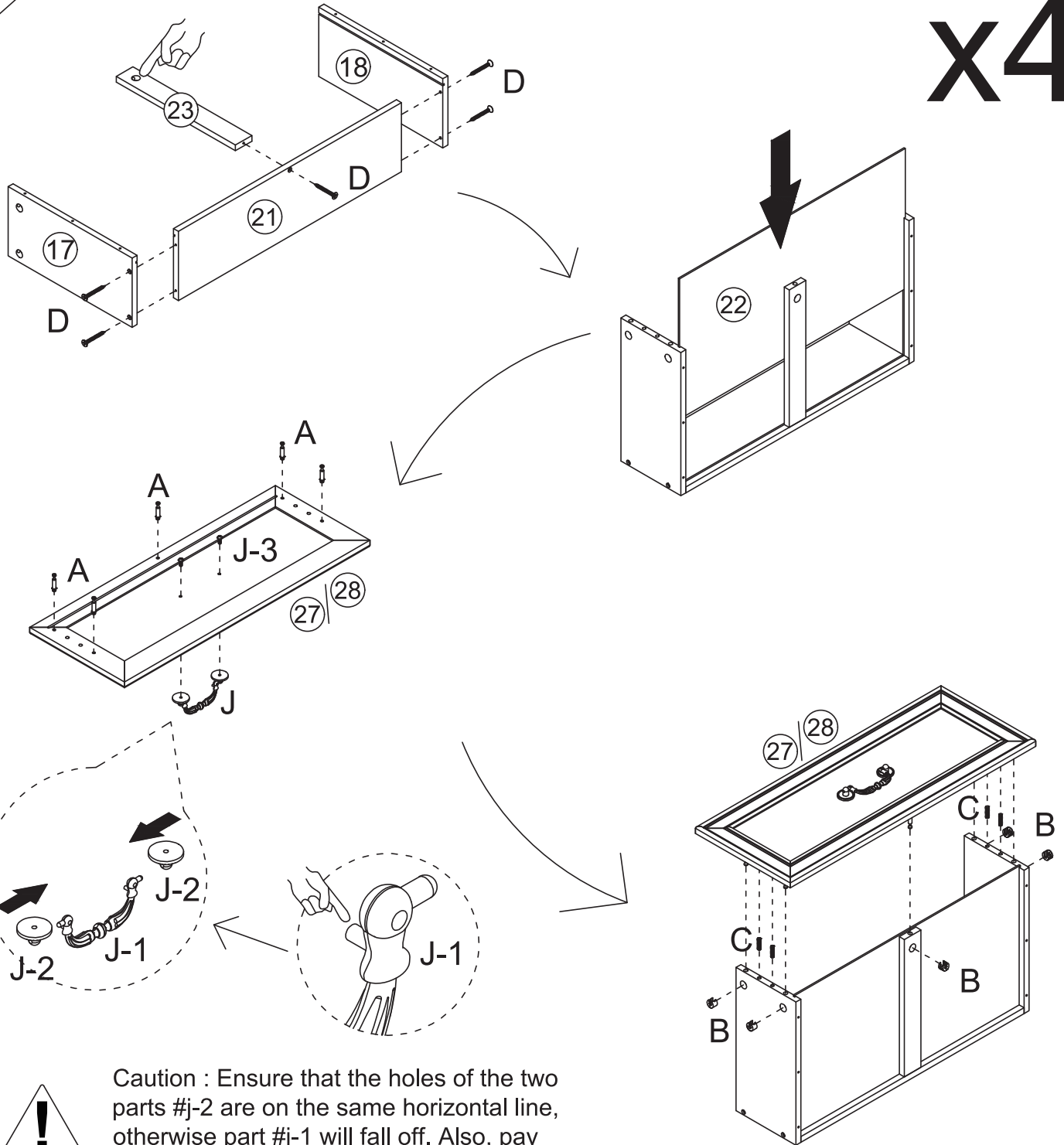
If you have any question please  
contact customer service:

E-mail: [support@pamapic.com](mailto:support@pamapic.com)  
Facebook: @pamapic.official

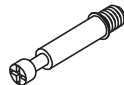




# Assembly Instructions

2

x4



Caution : Ensure that the holes of the two parts #j-2 are on the same horizontal line, otherwise part #j-1 will fall off. Also, pay attention to the placement direction of part #j-1.

				
A	B	C	D	J
x20	x20	x16	x20	x4

If you have any question please contact customer service:

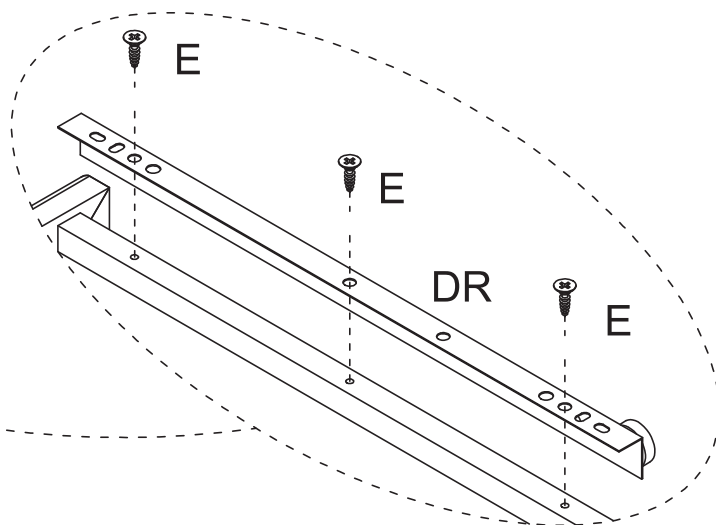
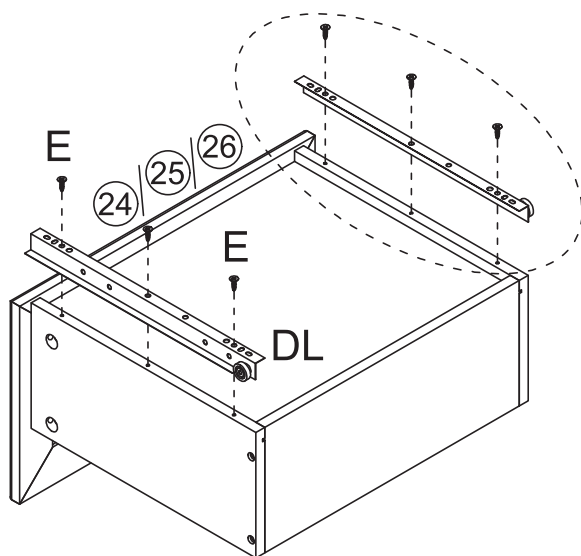
E-mail: [support@pamapic.com](mailto:support@pamapic.com)

Facebook: @pamapic.official

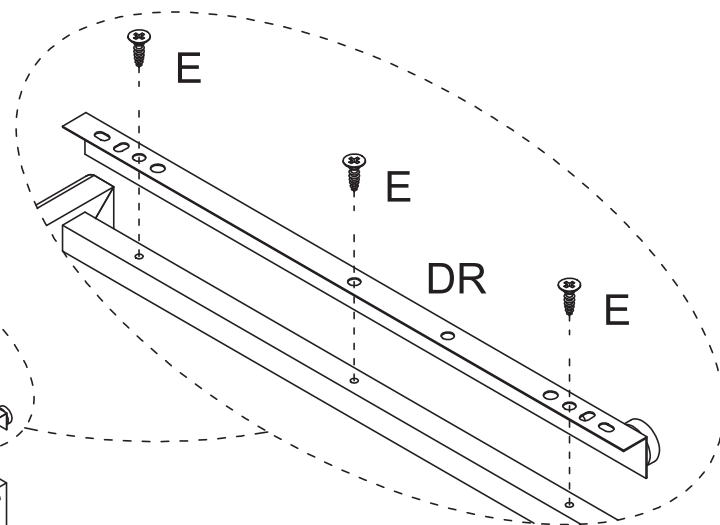
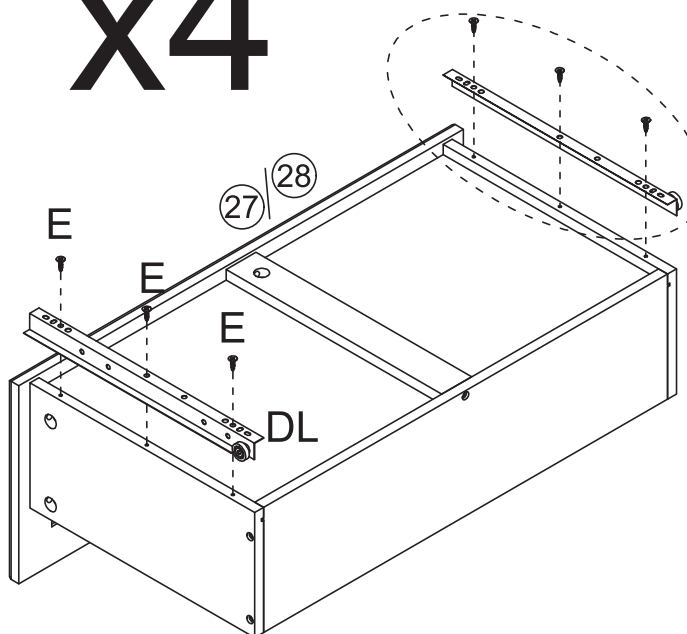
# Assembly Instructions




3

## x3



## x4



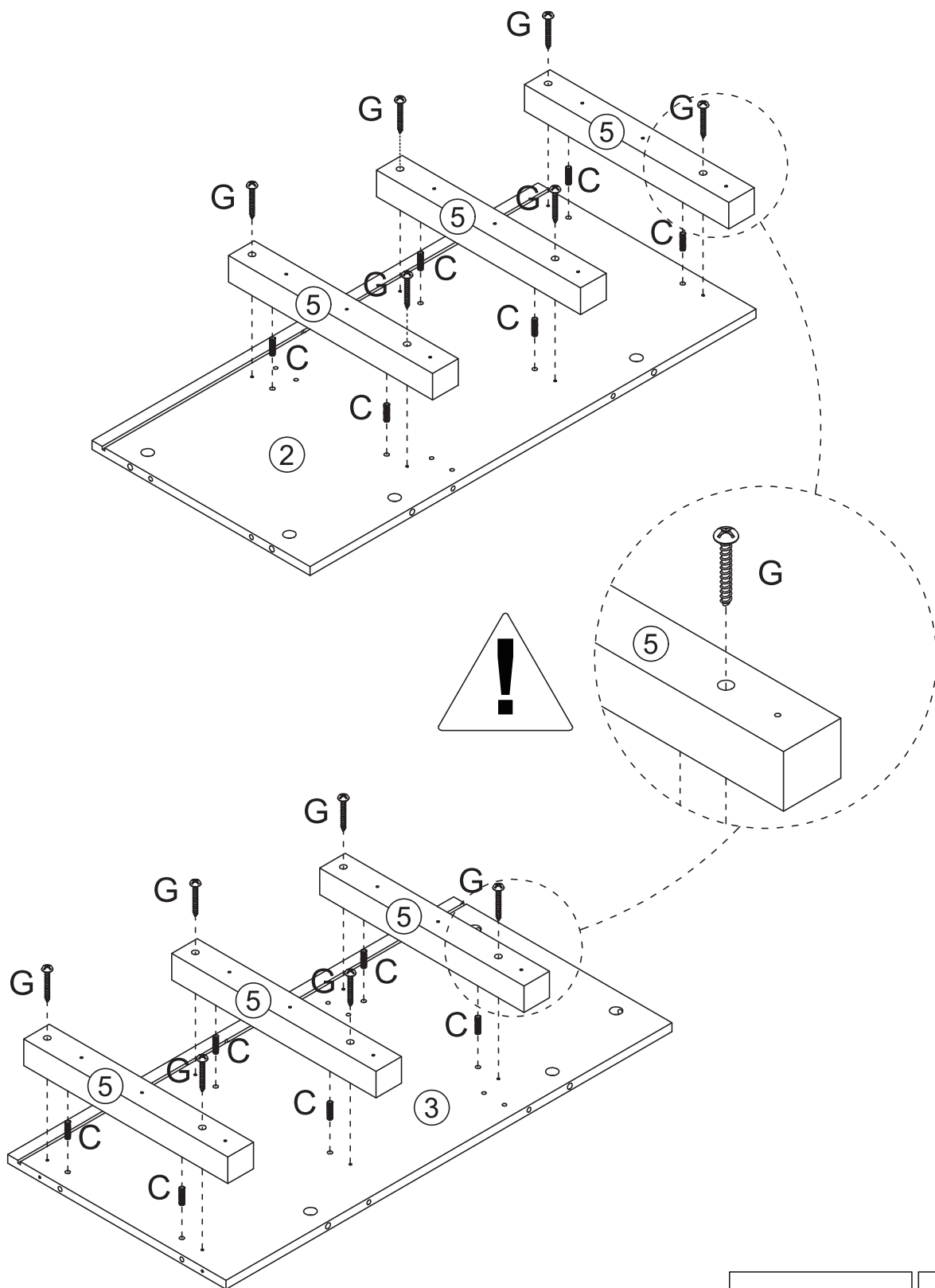
			
E	x42	DL x7	DR x7


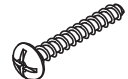
If you have any question please contact customer service:

E-mail: [support@pamapic.com](mailto:support@pamapic.com)  
Facebook: @pamapic.official

# Assembly Instructions

4



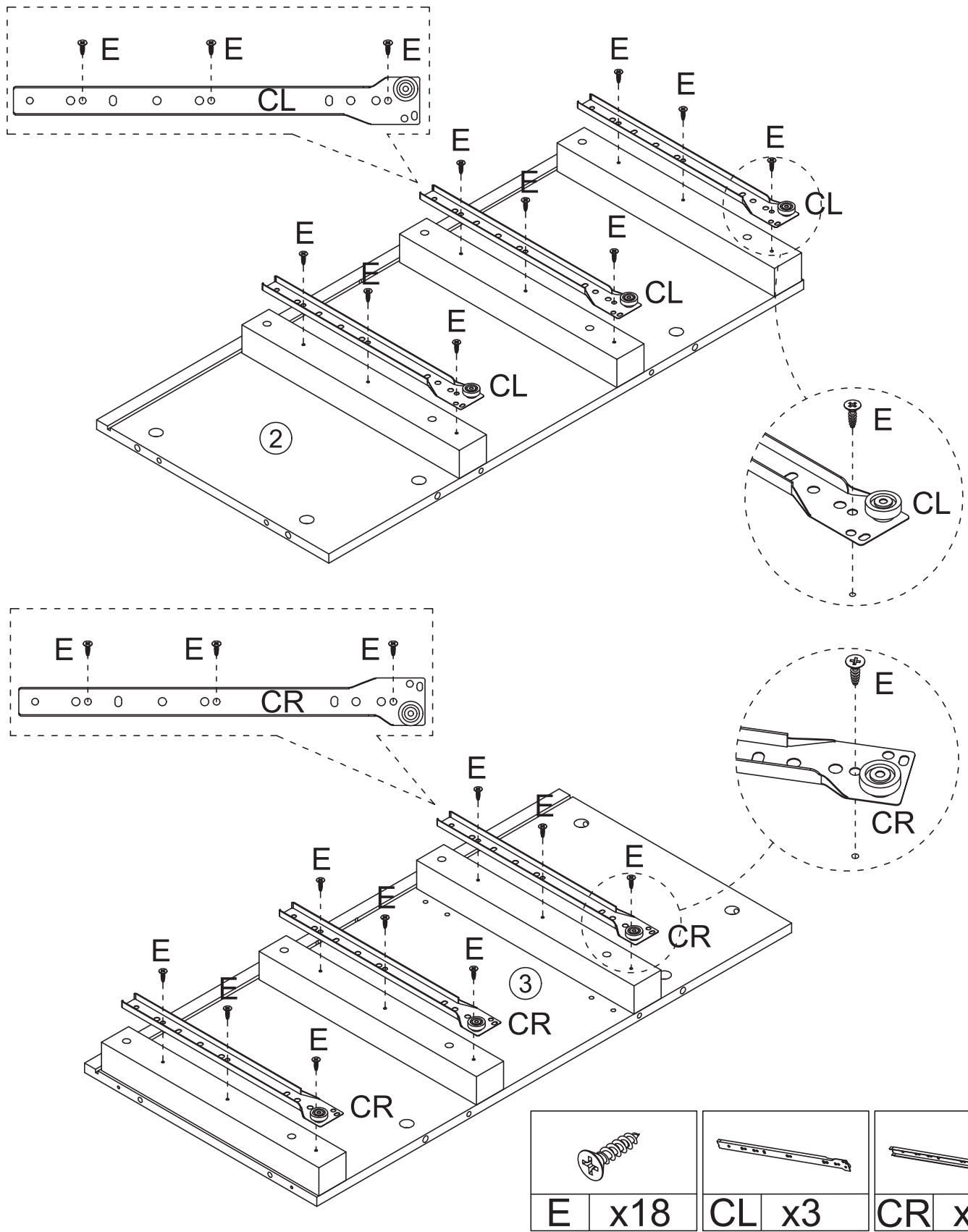
	
C	x12
G	x12

If you have any question please contact customer service:

E-mail: [support@pamapic.com](mailto:support@pamapic.com)  
Facebook: @pamapic.official

# Assembly Instructions

5

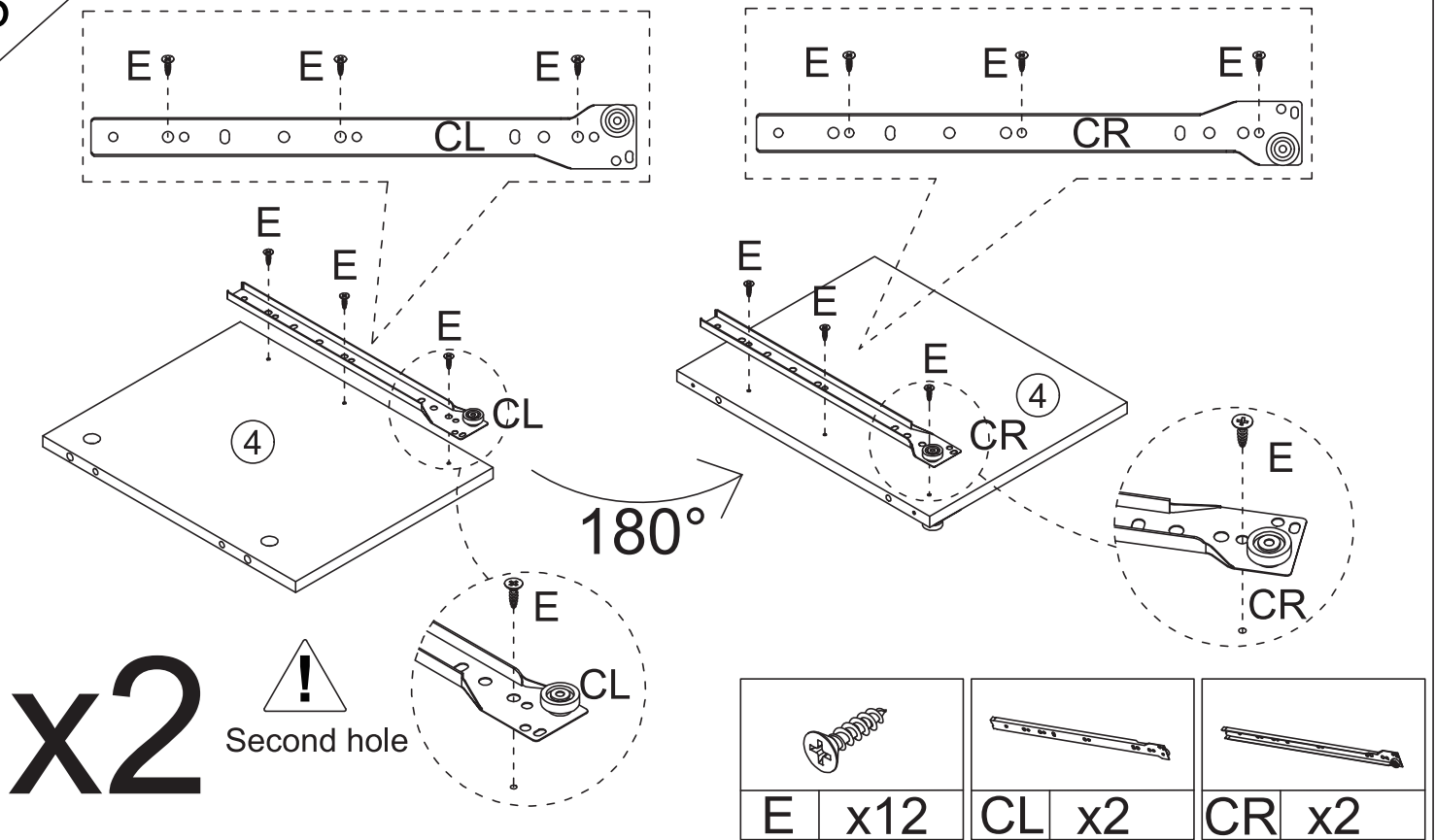


If you have any question please contact customer service:

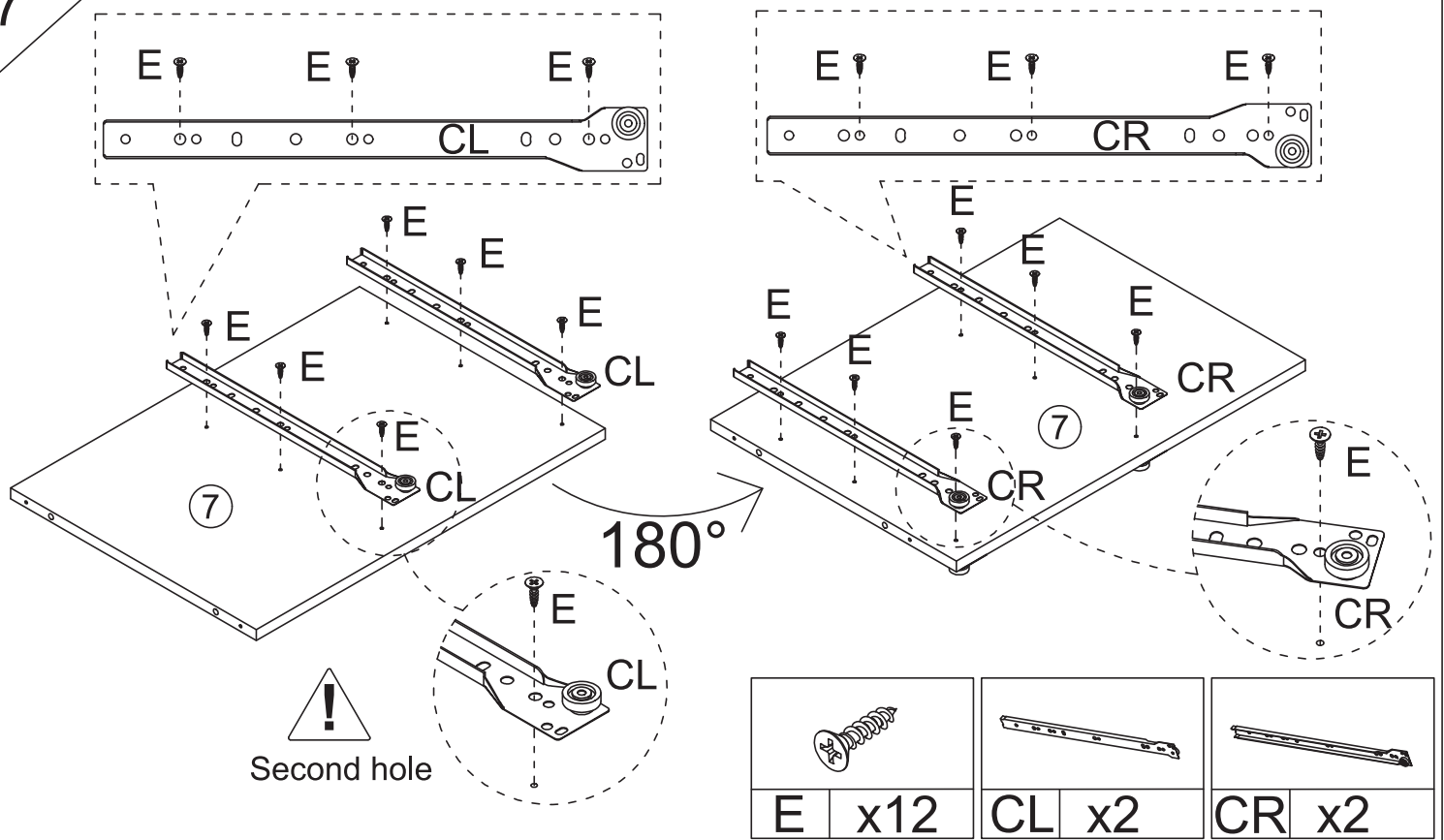
E-mail: [support@pamapic.com](mailto:support@pamapic.com)  
Facebook: @pamapic.official

# Assembly Instructions

6



7

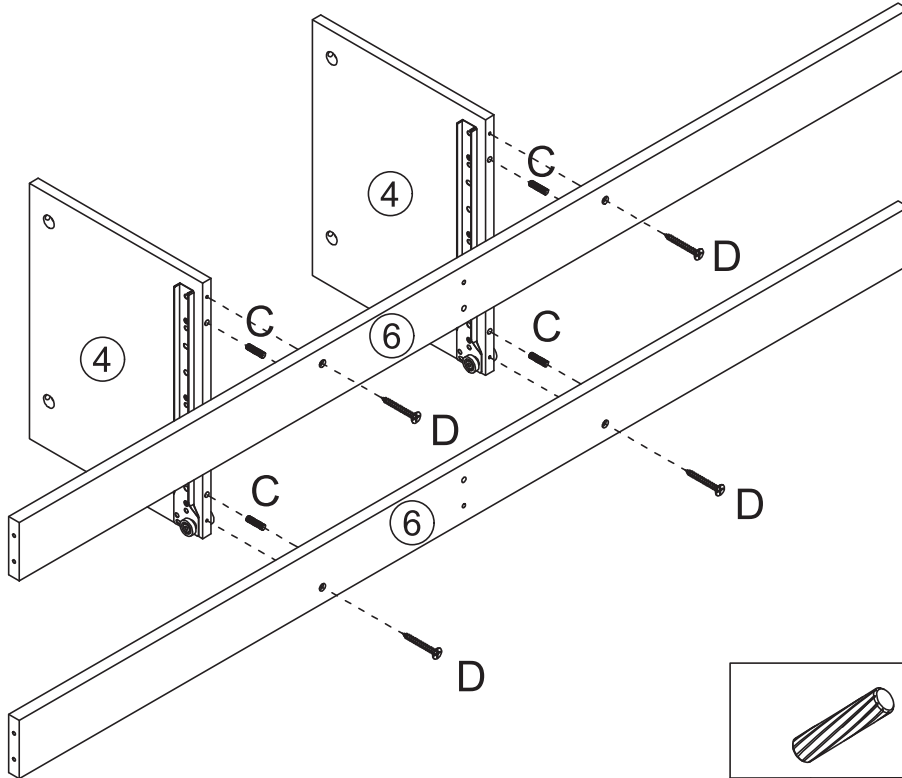


If you have any question please contact customer service:

E-mail: [support@pamapic.com](mailto:support@pamapic.com)  
 Facebook: @pamapic.official

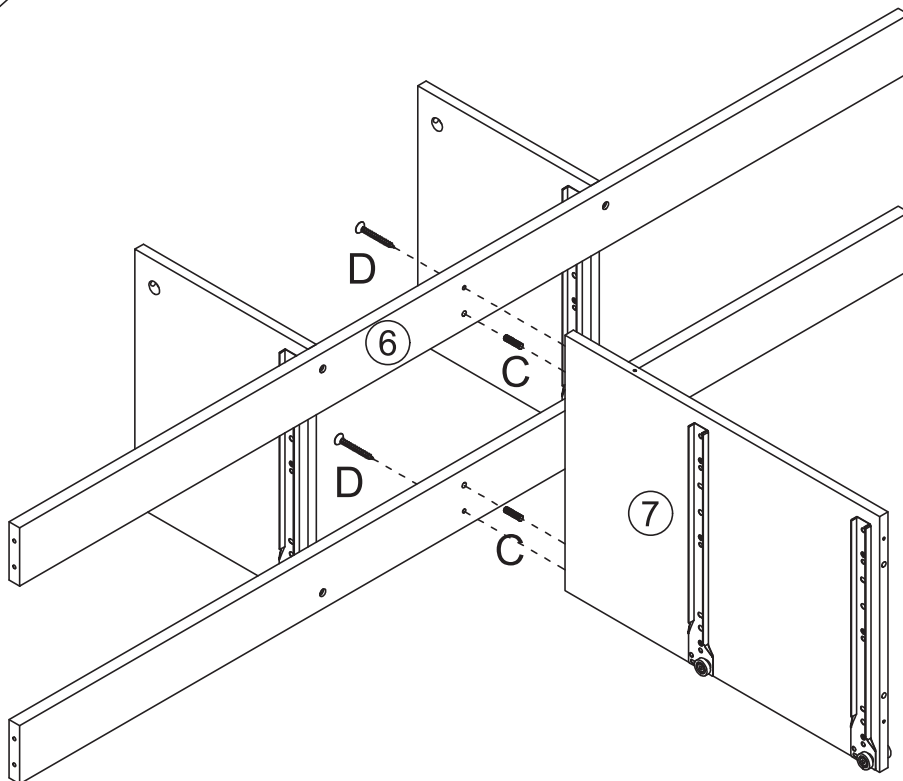
# Assembly Instructions

8



C	x4
D	x4

9



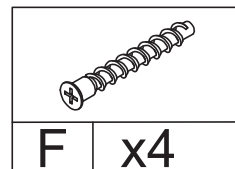
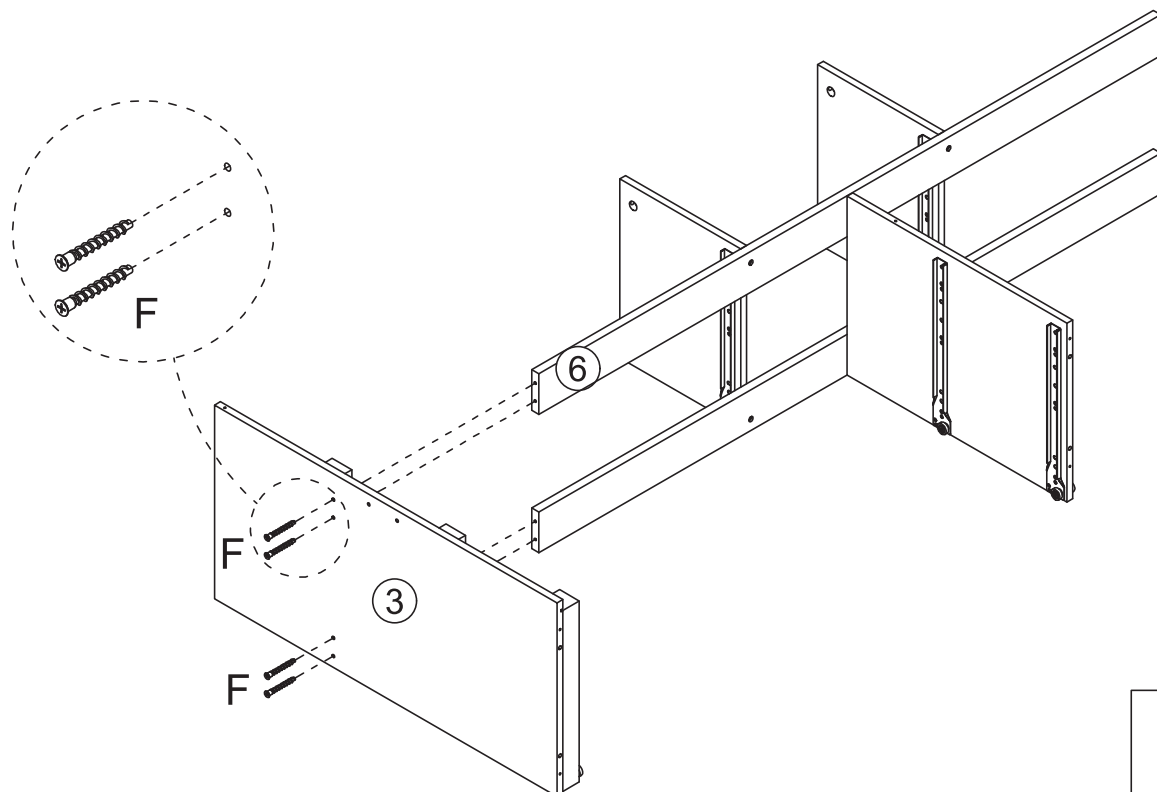
C	x2
D	x2

If you have any question please  
contact customer service:

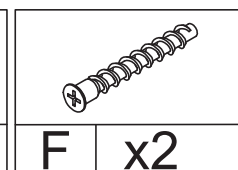
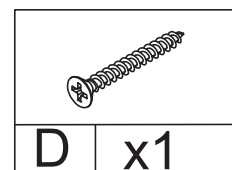
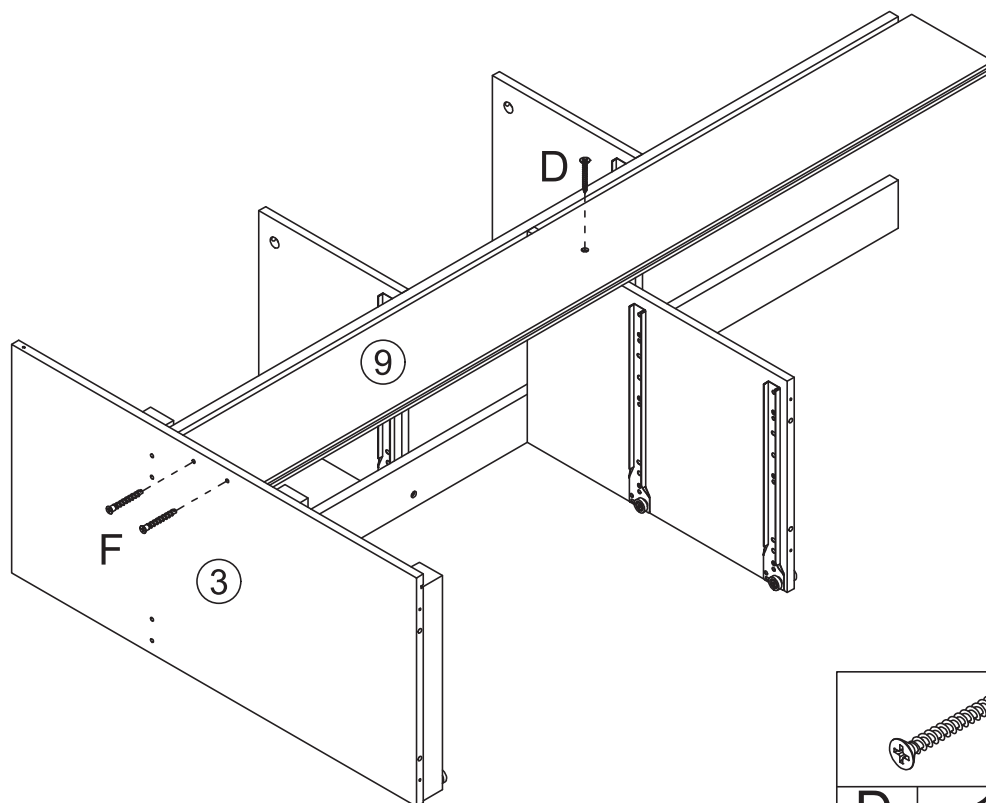
**E-mail:** [support@pamapic.com](mailto:support@pamapic.com)  
**Facebook:** @pamapic.official

# Assembly Instructions

10



11

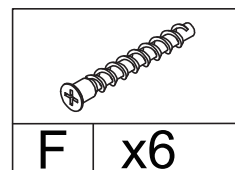
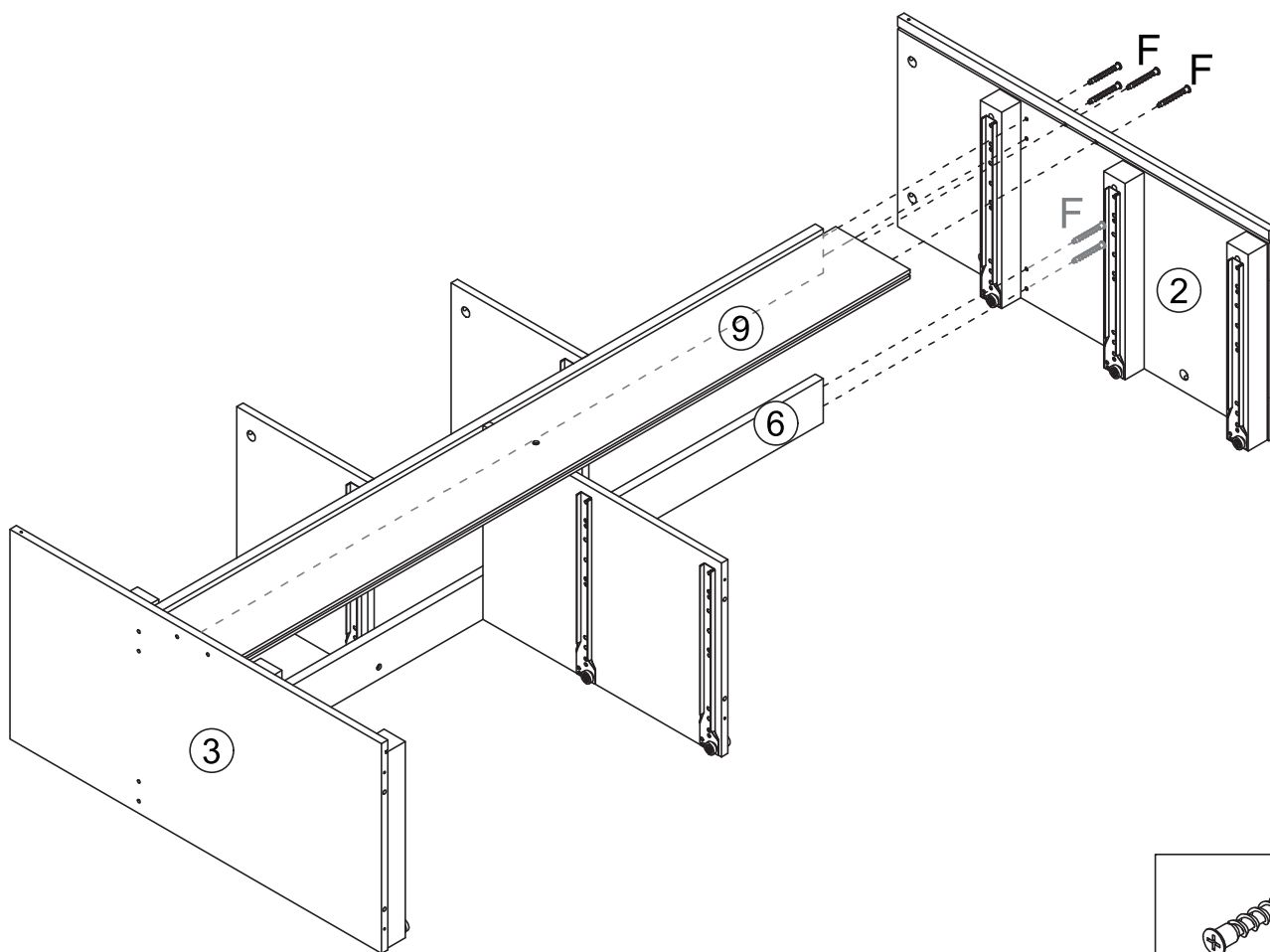


If you have any question please  
contact customer service:

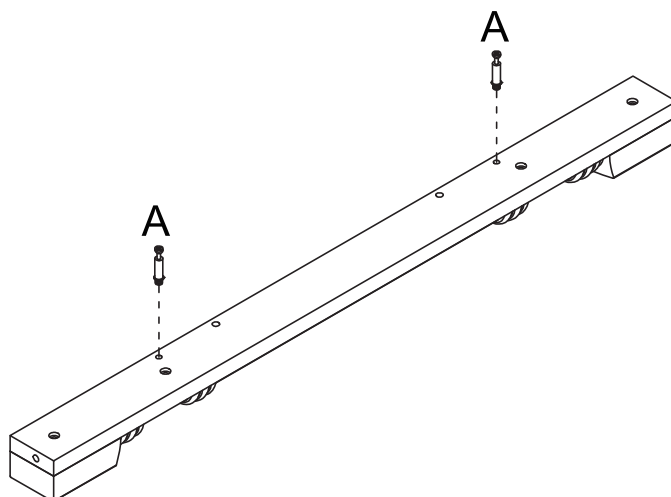
**E-mail:** [support@pamapic.com](mailto:support@pamapic.com)  
**Facebook:** @pamapic.official

# Assembly Instructions

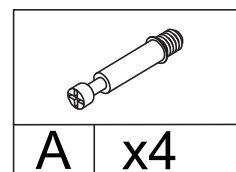
12



13



x2

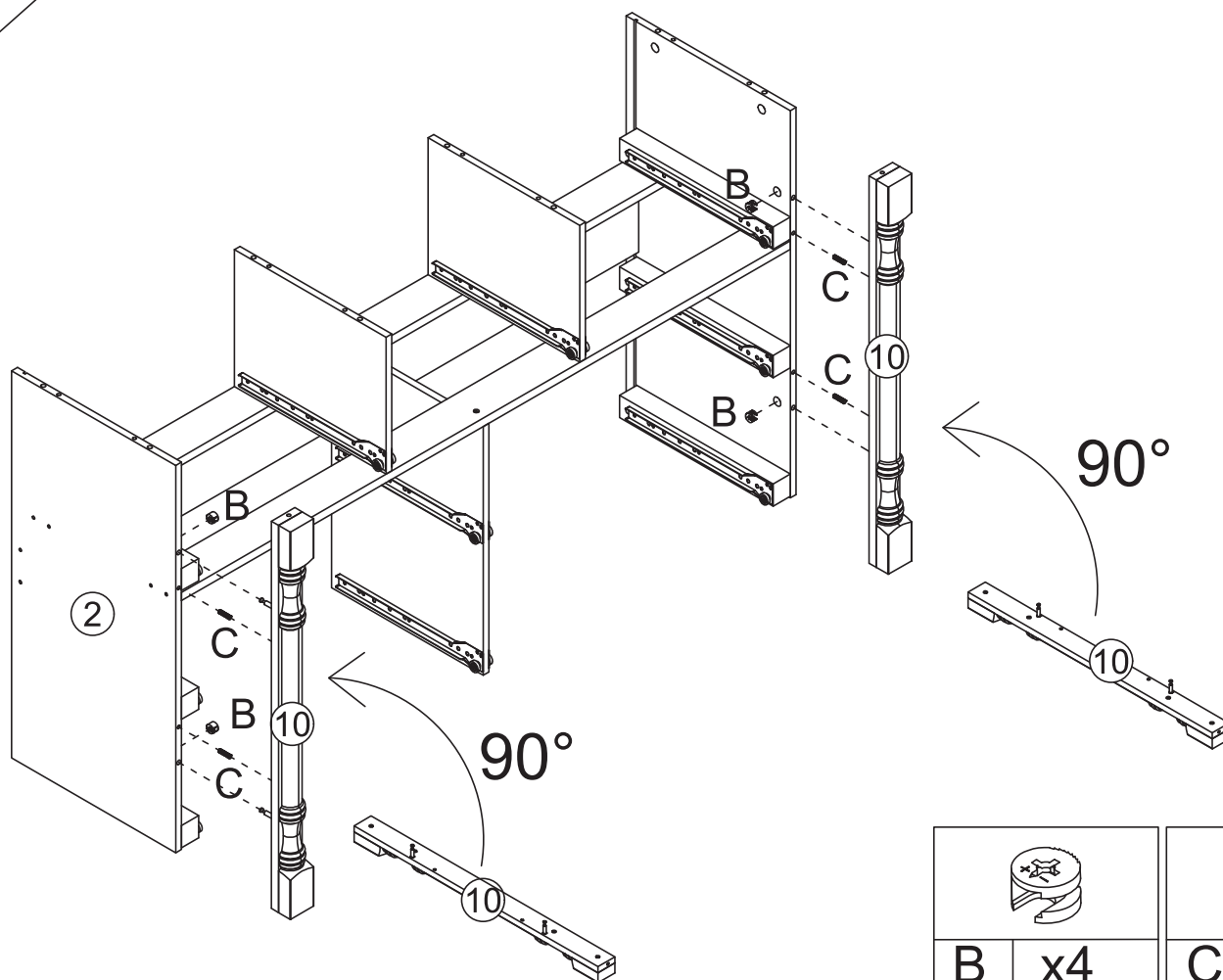


If you have any question please  
contact customer service:

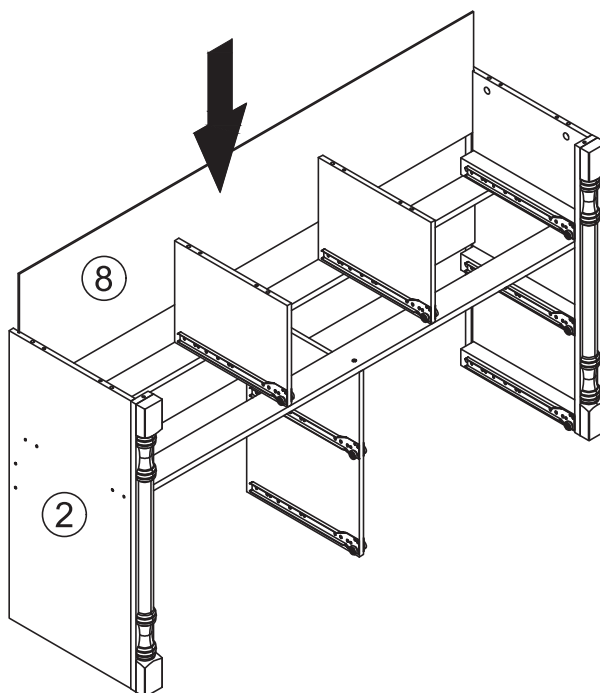
E-mail: [support@pamapic.com](mailto:support@pamapic.com)  
Facebook: [@pamapic.official](https://www.facebook.com/pamapic.official)

# Assembly Instructions

14



15

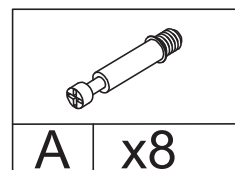
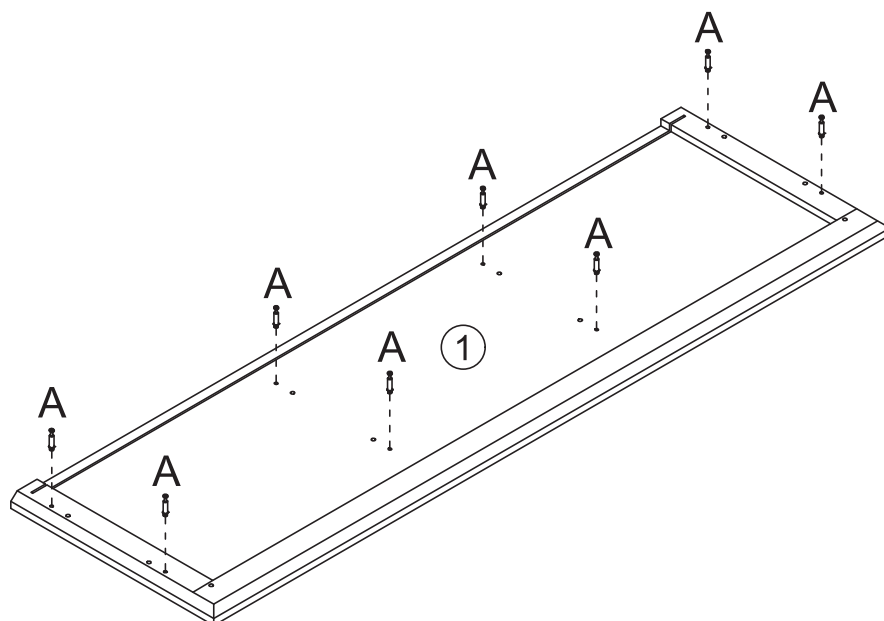


If you have any question please contact customer service:

E-mail: [support@pamapic.com](mailto:support@pamapic.com)  
Facebook: @pamapic.official

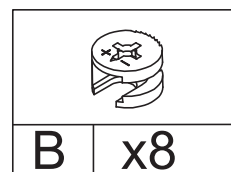
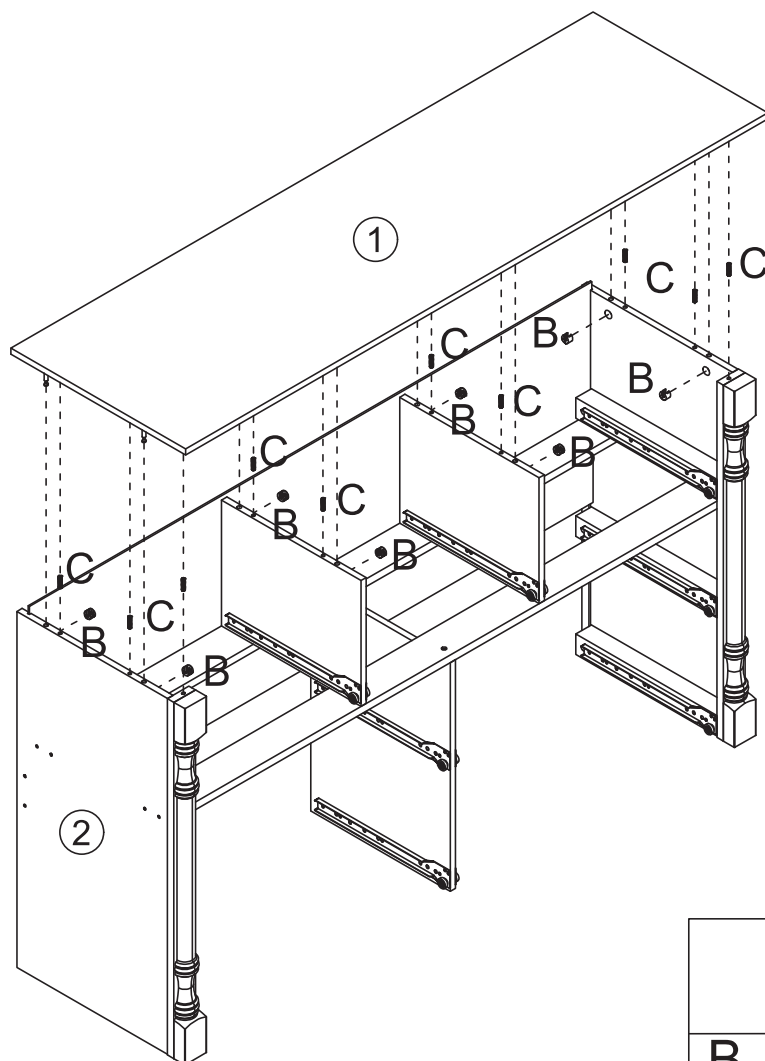
# Assembly Instructions

16

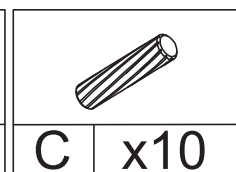


A x8

17



B x8



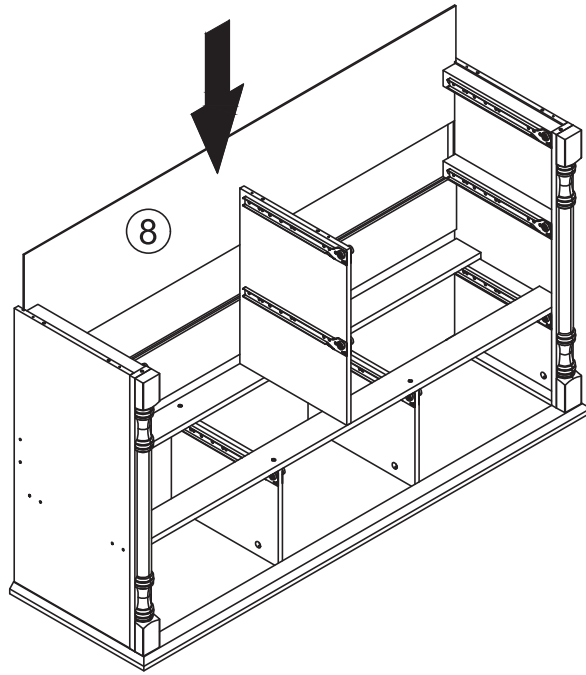
C x10

If you have any question please  
contact customer service:

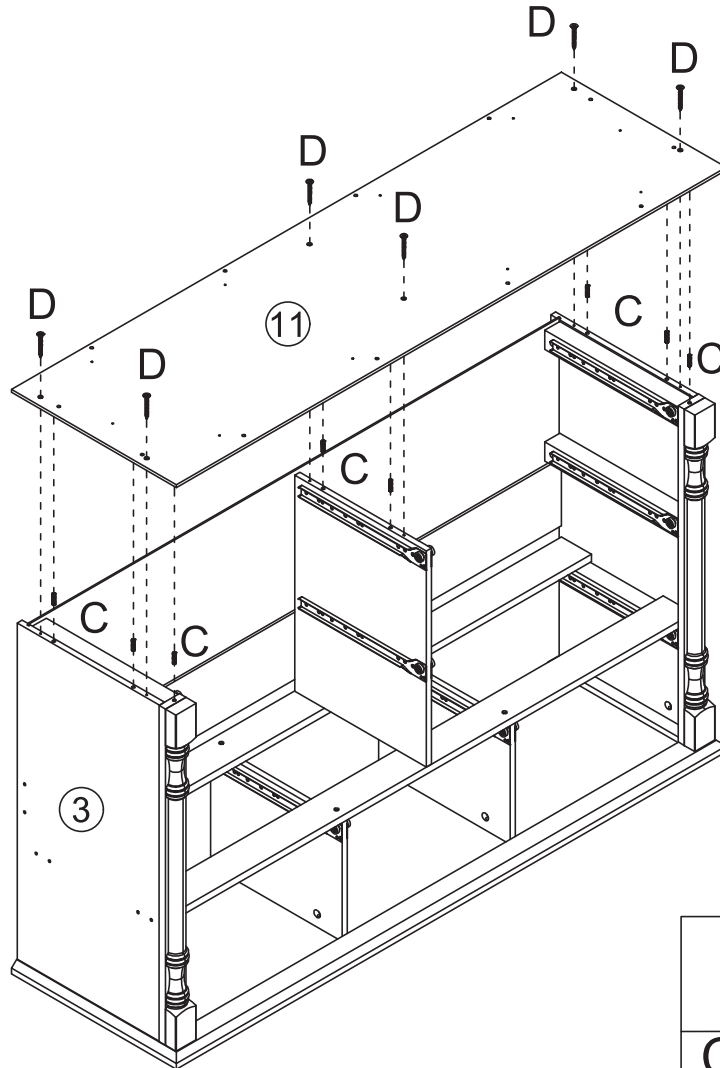
E-mail: [support@pamapic.com](mailto:support@pamapic.com)  
Facebook: @pamapic.official


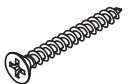
# Assembly Instructions

18



19



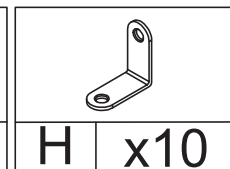
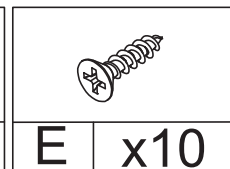
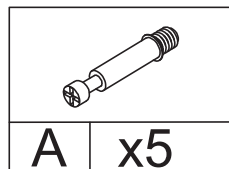
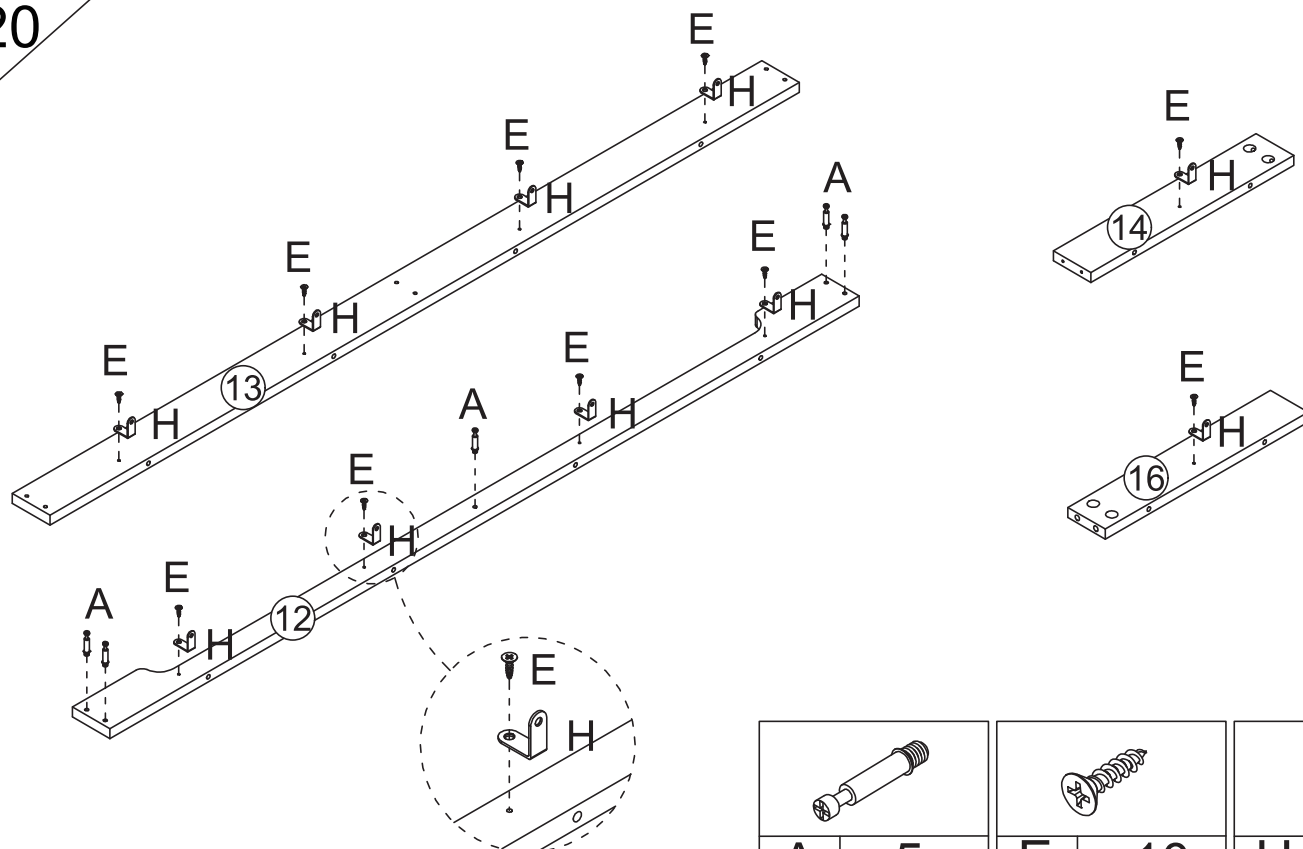
	
C	x8
D	x6

If you have any question please  
contact customer service:

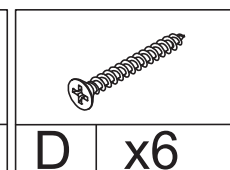
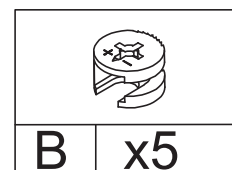
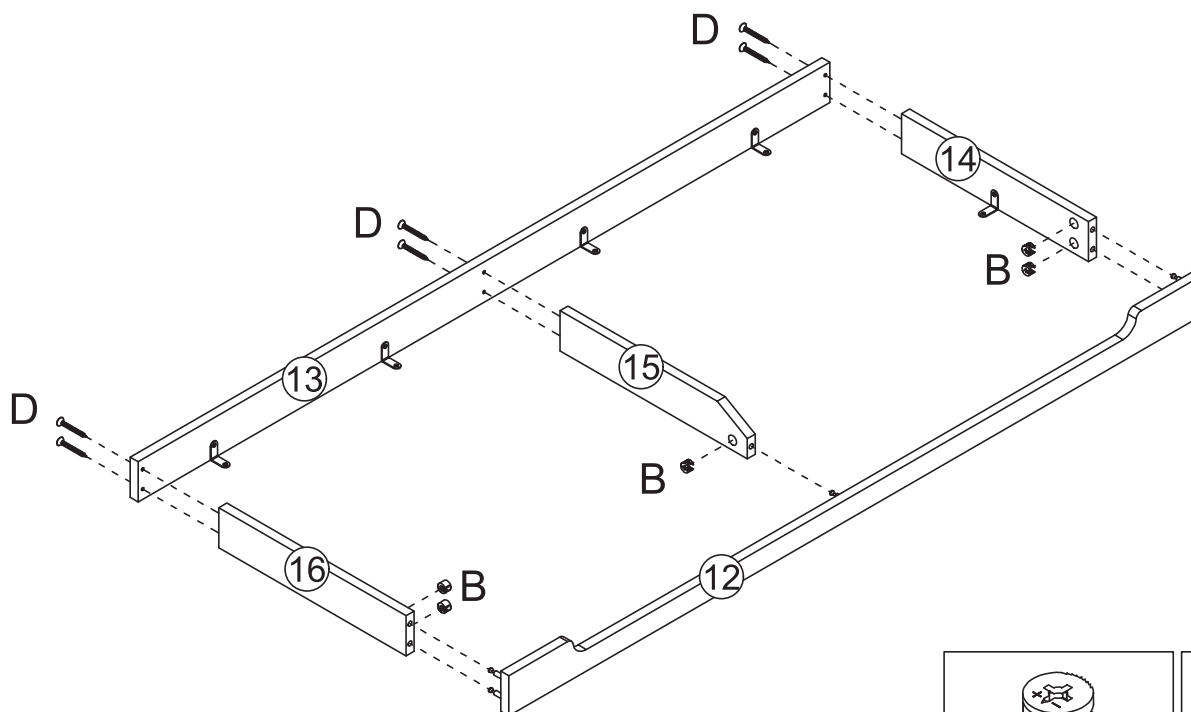
**E-mail:** [support@pamapic.com](mailto:support@pamapic.com)  
**Facebook:** @pamapic.official

# Assembly Instructions

20



21

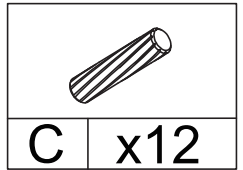
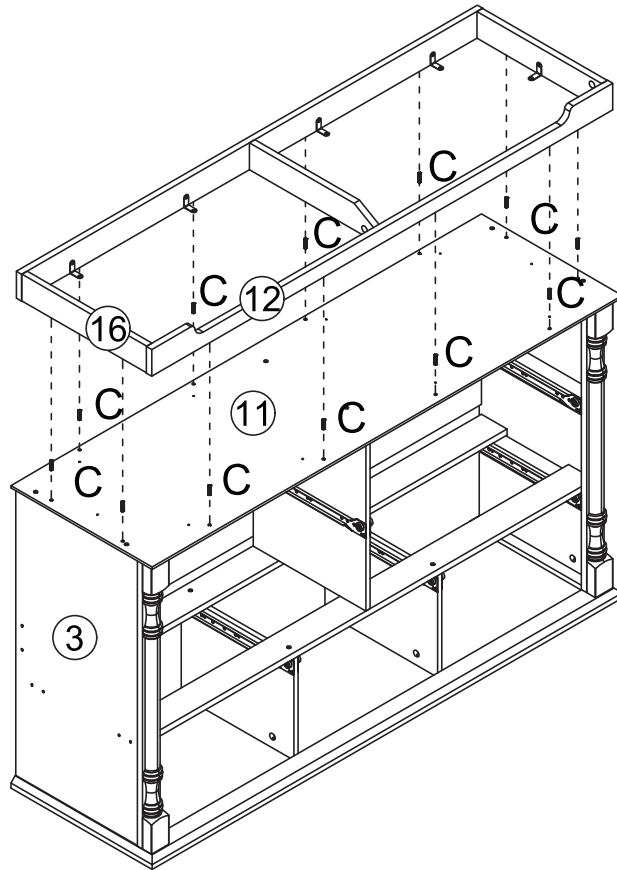


If you have any question please contact customer service:

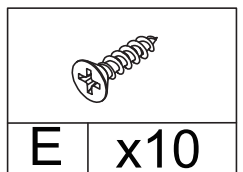
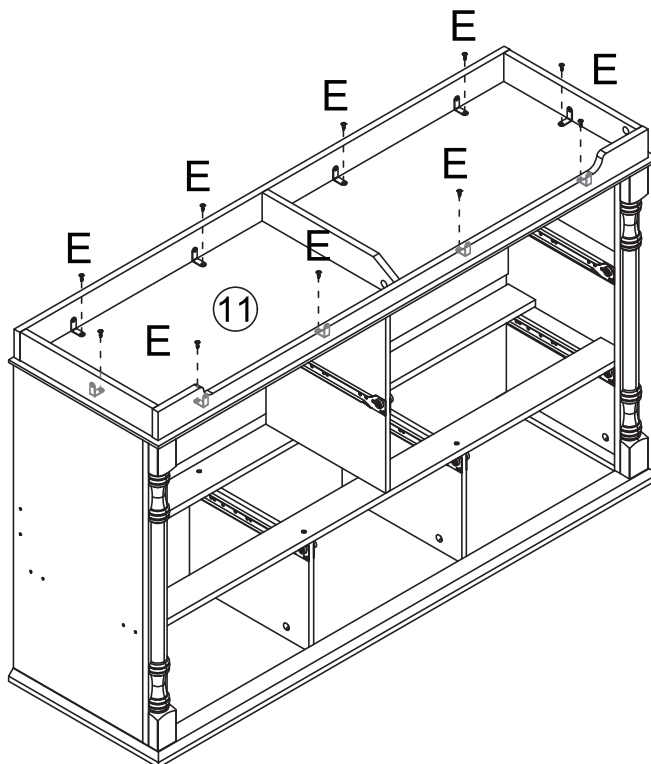
E-mail: [support@pamapic.com](mailto:support@pamapic.com)  
 Facebook: @pamapic.official

# Assembly Instructions

22



23

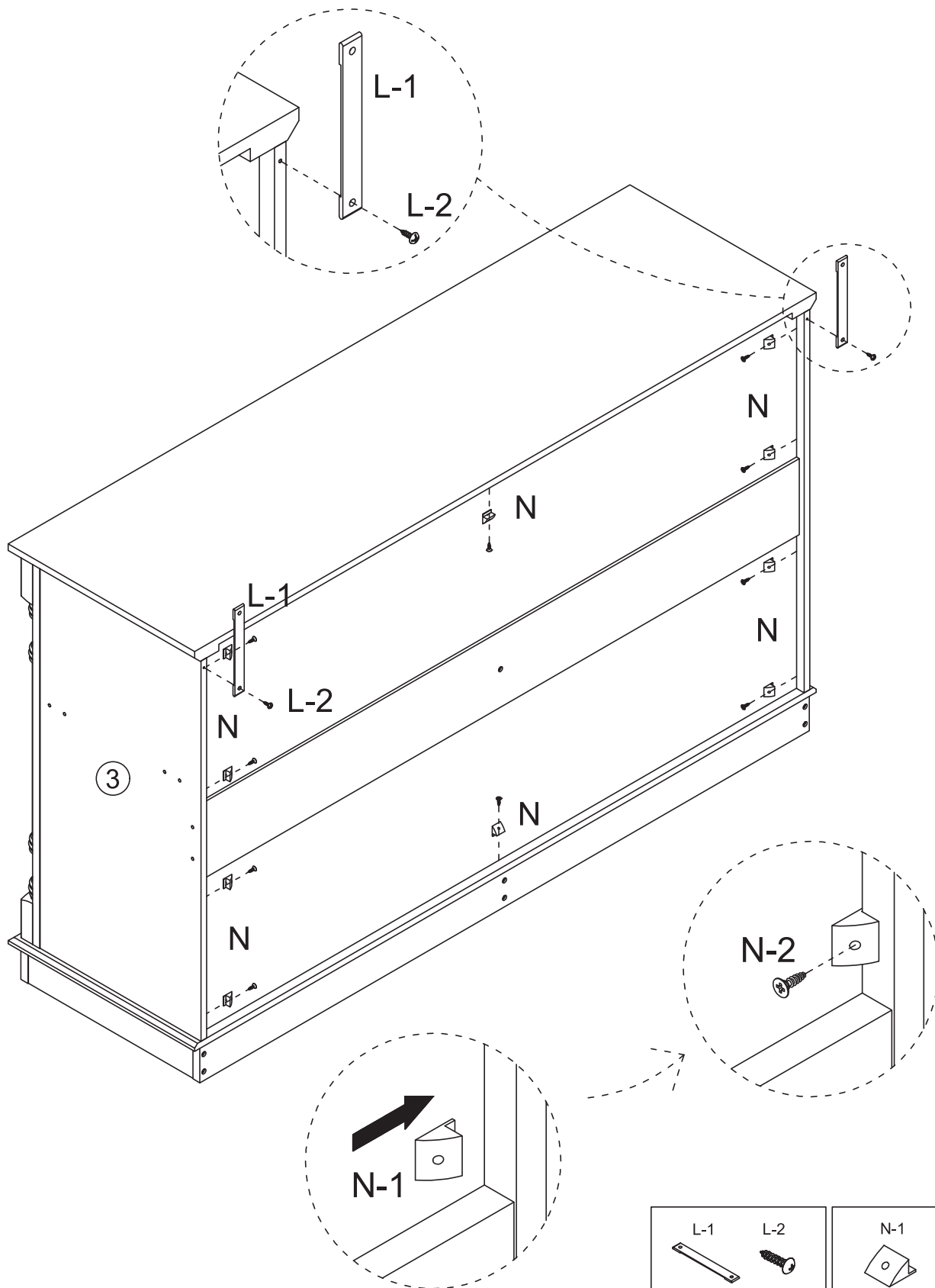


If you have any question please  
contact customer service:

**E-mail:** [support@pamapic.com](mailto:support@pamapic.com)  
**Facebook:** @pamapic.official

# Assembly Instructions

24



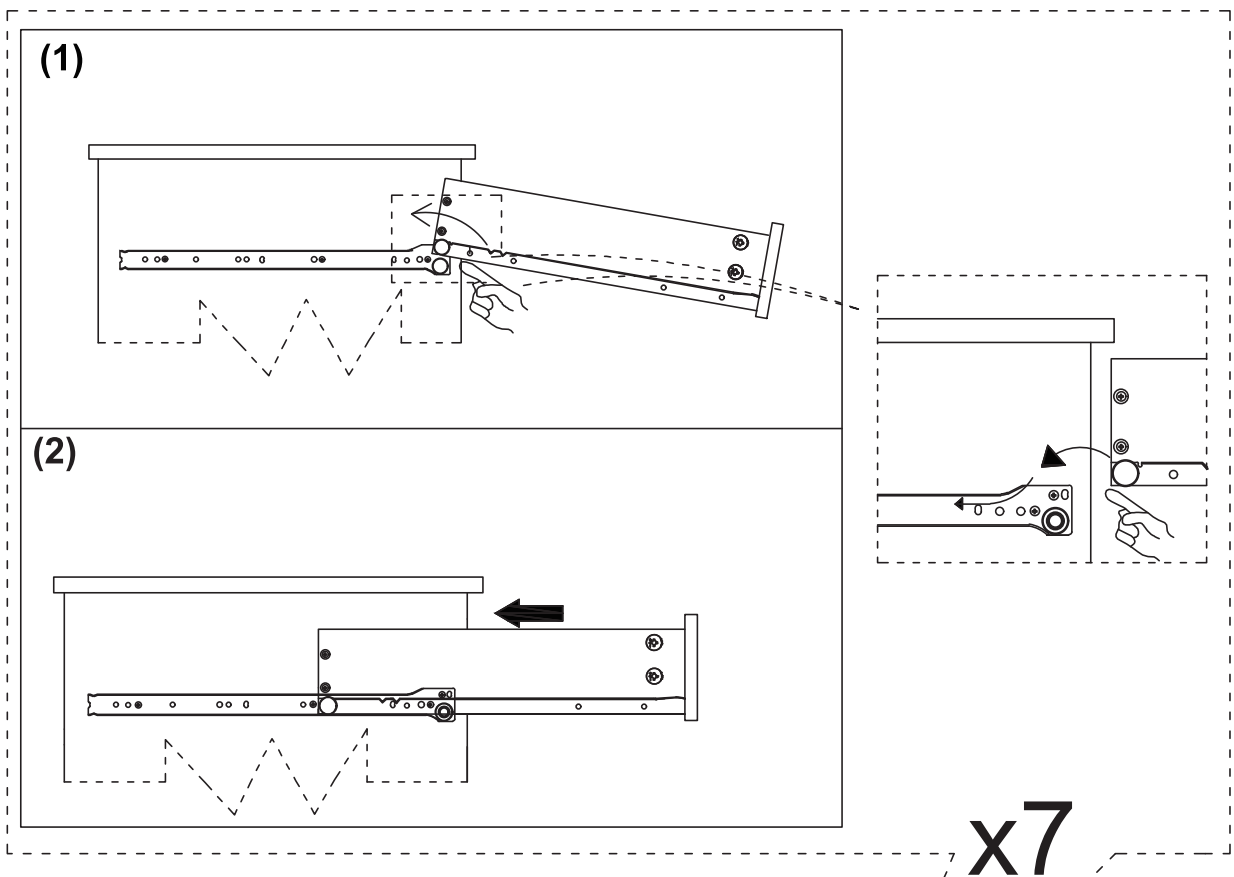
L-1	L-2	N-1	N-2
L	x2	N	x10

If you have any question please contact customer service:

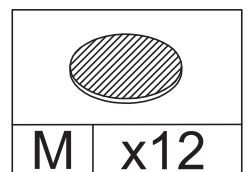
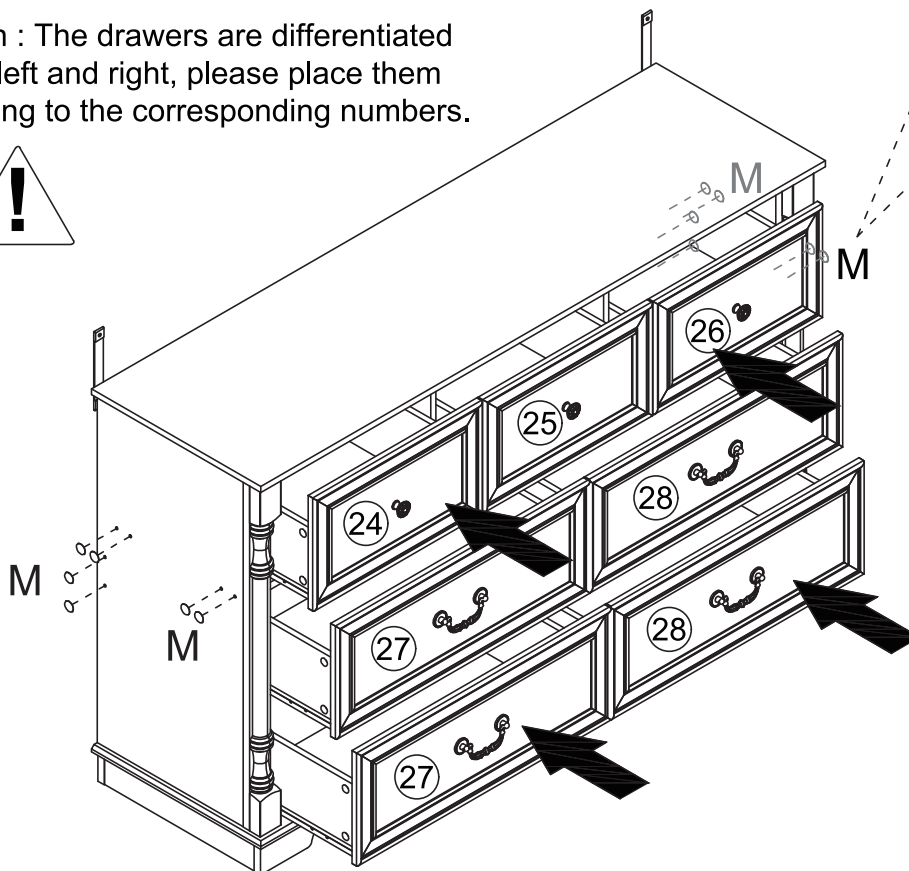
E-mail: [support@pamapic.com](mailto:support@pamapic.com)  
Facebook: @pamapic.official

# Assembly Instructions

25



Caution : The drawers are differentiated on the left and right, please place them according to the corresponding numbers.

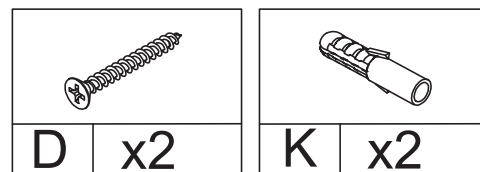
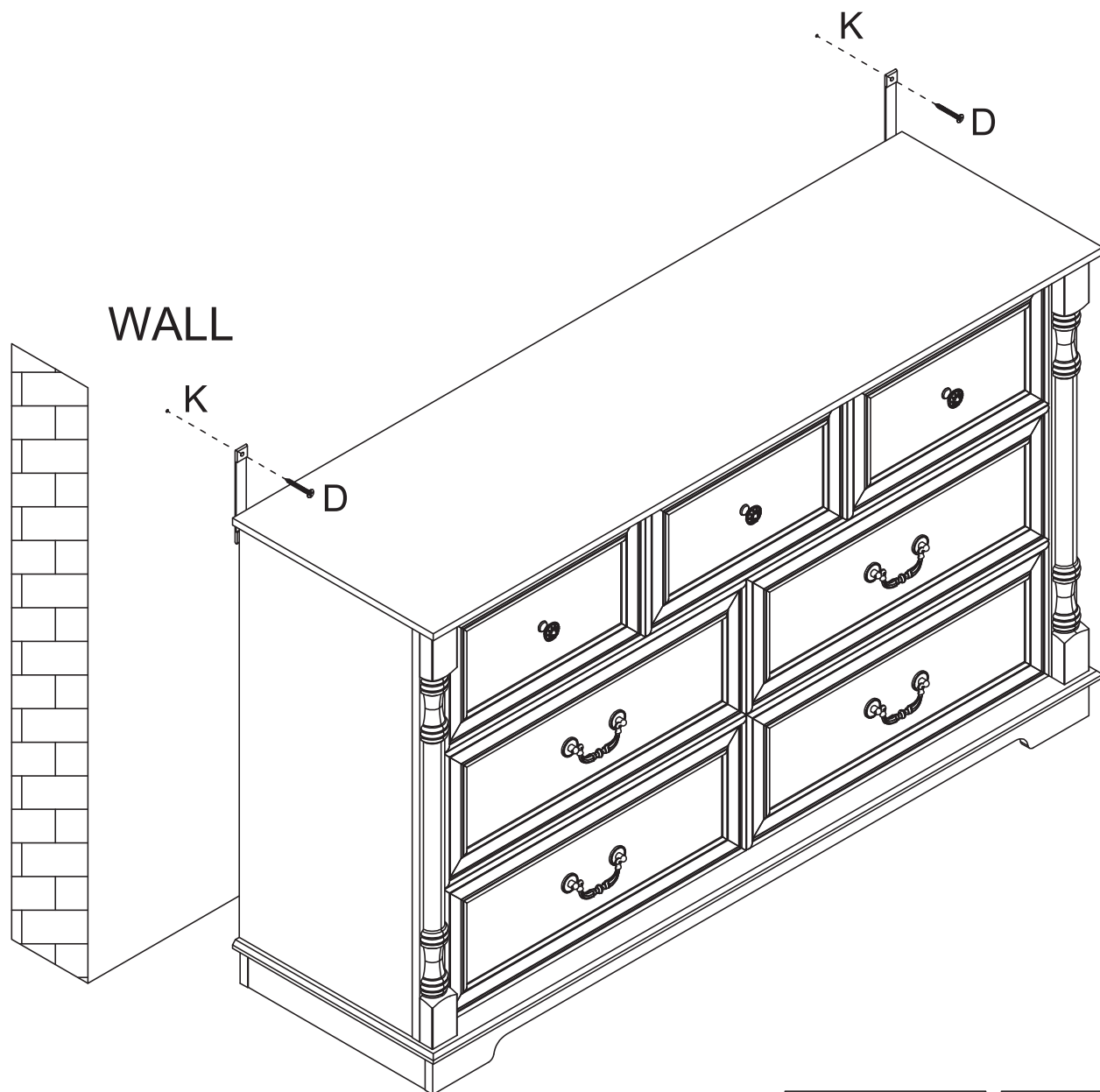
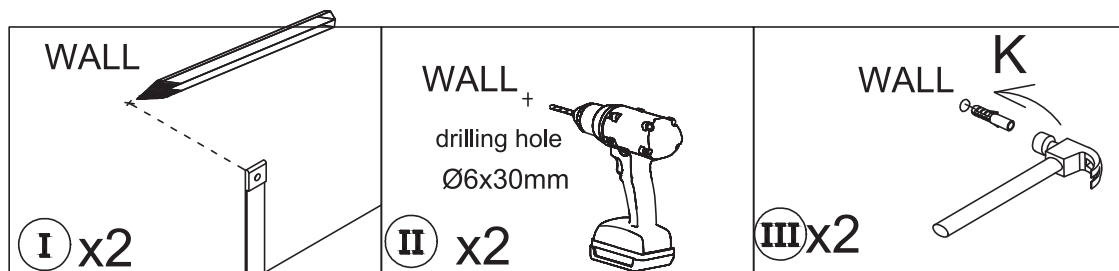


If you have any question please contact customer service:

E-mail: [support@pamapic.com](mailto:support@pamapic.com)  
Facebook: @pamapic.official

# Assembly Instructions

26



If you have any question please contact customer service:

E-mail: [support@pamapic.com](mailto:support@pamapic.com)  
Facebook: @pamapic.official

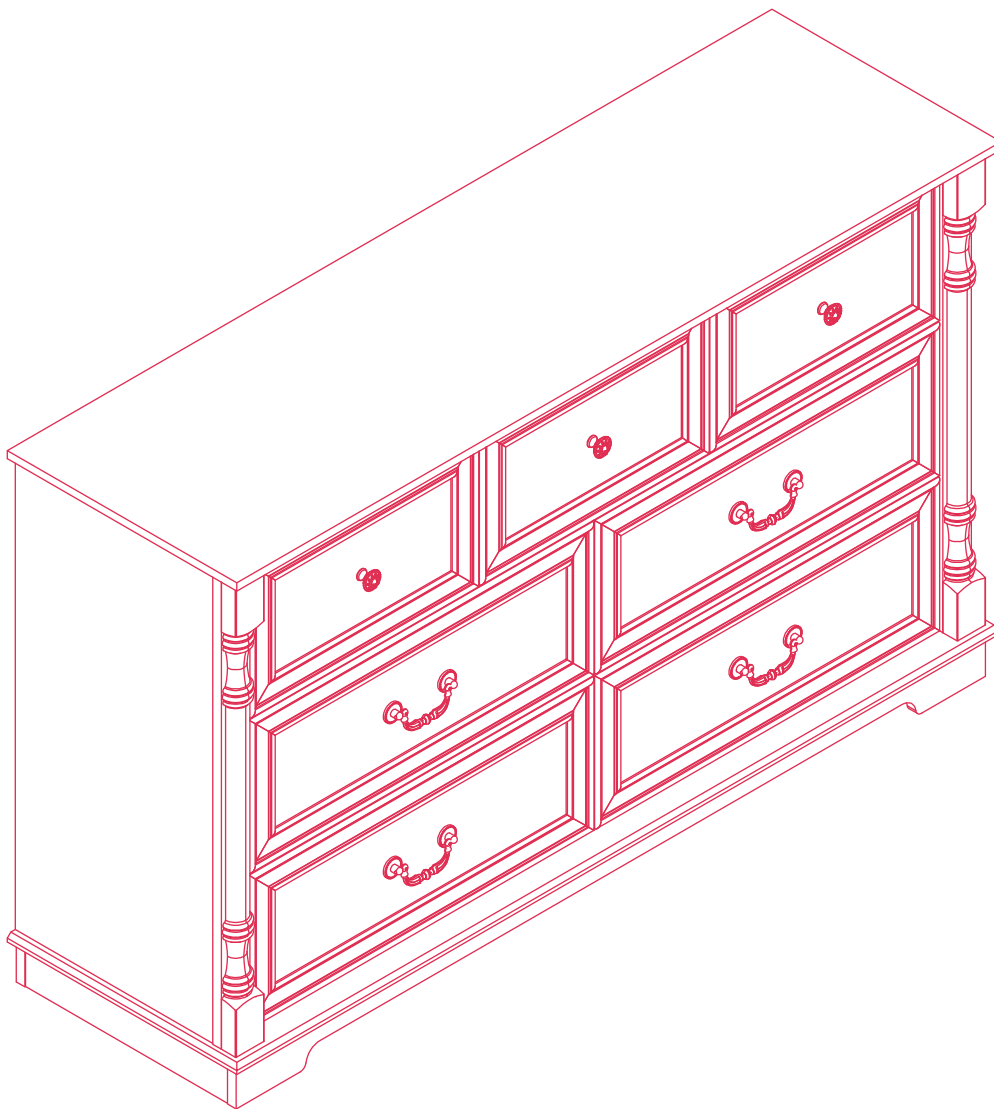


---

If you have any question please  
contact customer service:

**E-mail:** [support@pamapic.com](mailto:support@pamapic.com)  
Facebook: @pamapic.official

---



---

If you have any question please  
contact customer service:

**E-mail:** [support@pamapic.com](mailto:support@pamapic.com)  
**Facebook:** @pamapic.official

---