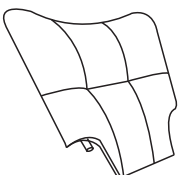

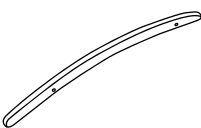
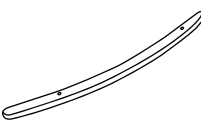
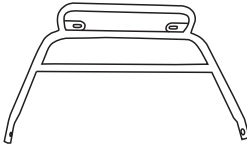
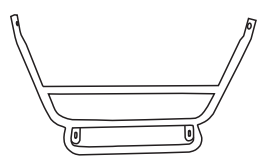

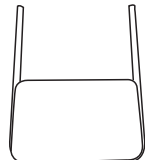





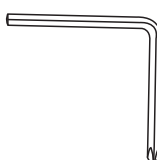
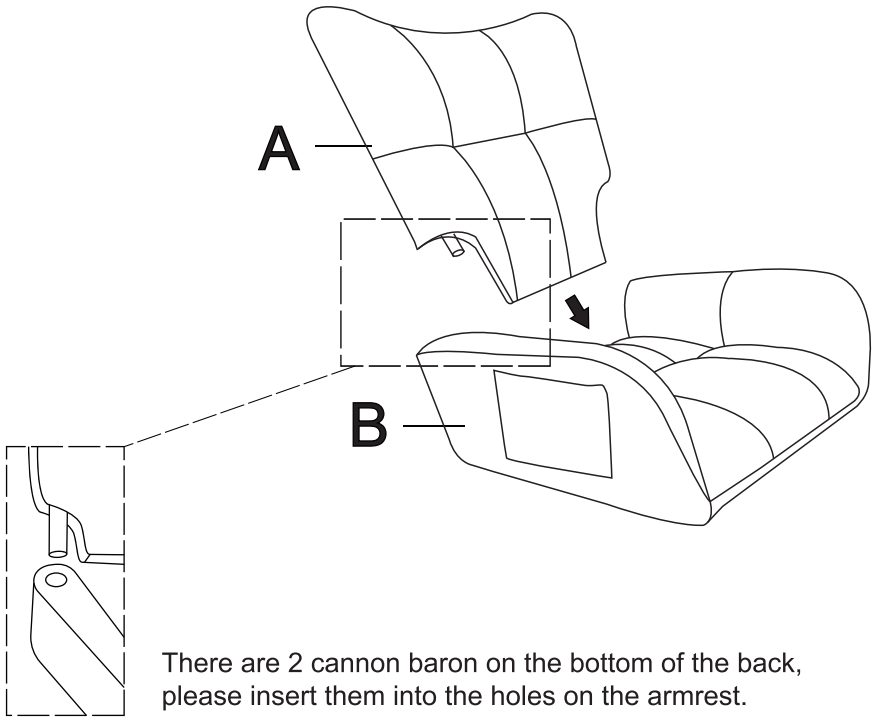


stylor rocking chair



<p>A</p>  <p>x 1</p>	<p>B</p>  <p>x 1</p>	<p>C</p>  <p>x 1</p>
<p>D</p>  <p>x 1</p>	<p>E</p>  <p>x 1</p>	<p>F</p>  <p>x 1</p>
<p>G</p>  <p>x 2</p>	<p>H</p>  <p>x 1</p>	<p>I</p>  <p>M6x20</p> <p>x 8</p>
<p>J</p>  <p>M6x35</p> <p>x 4</p>	<p>K</p>  <p>M6x60</p> <p>x 2</p>	<p>L</p>  <p>M5x12</p> <p>x 1</p>
<p>M</p>  <p>x 2</p>	<p>N</p>  <p>x 1</p>	

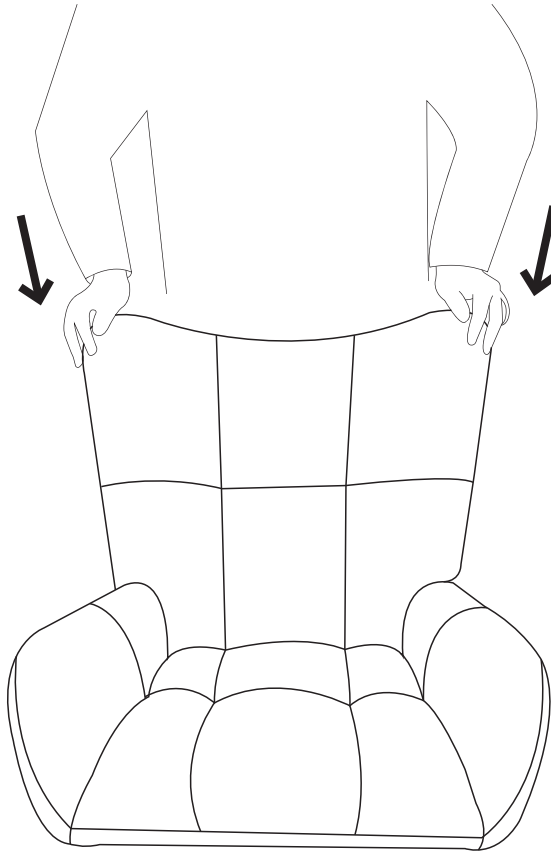
1



There are 2 cannon baron on the bottom of the back, please insert them into the holes on the armrest.

2

Hold the backrest
and press down



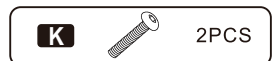
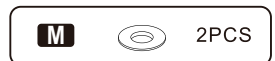
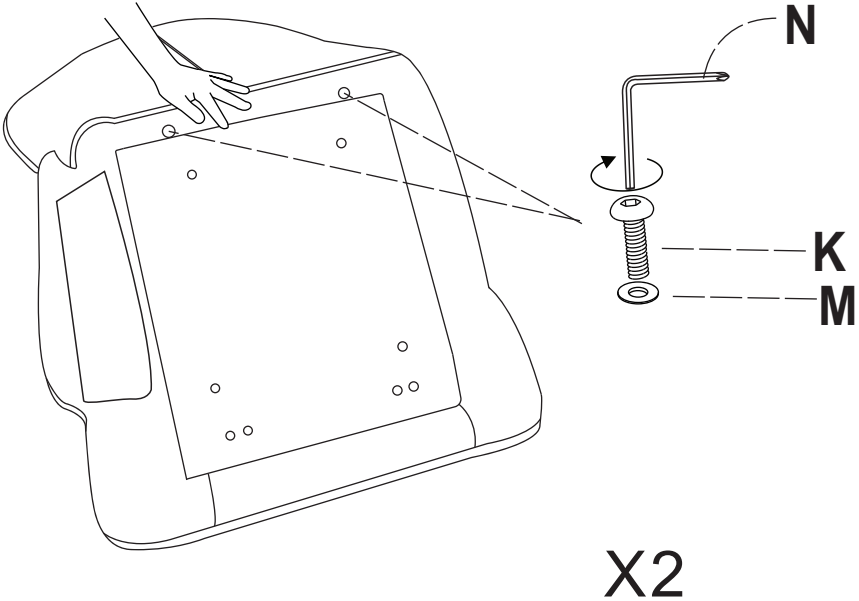
Attention :

1.screws should be only 50% tight.

2.after all the screws adjust the holes then tight screws 100% totally.

3

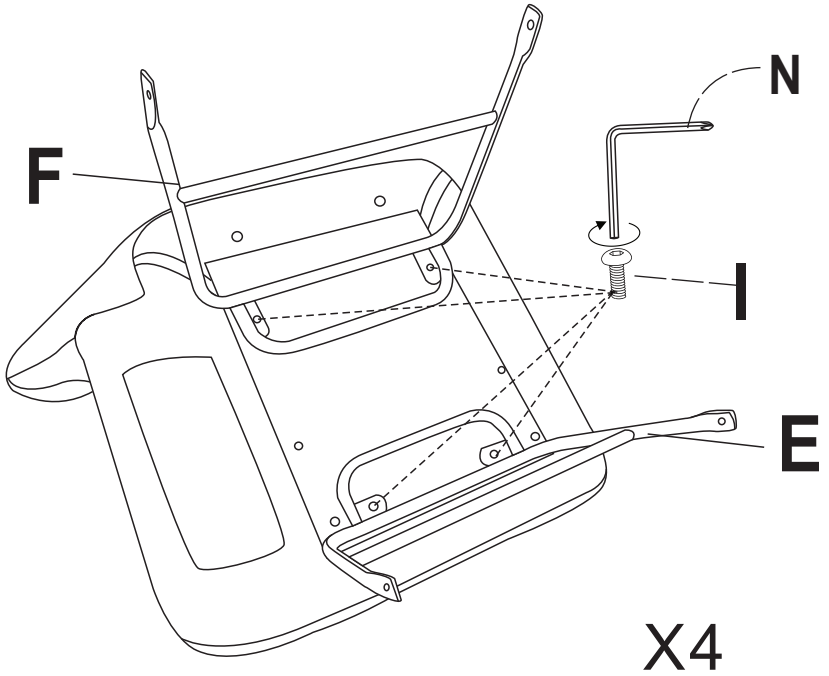
Make sure the back and the bottom tight fit, then draw the screws in, then tighten.



Attention :

1.screws should be only 50% tight.

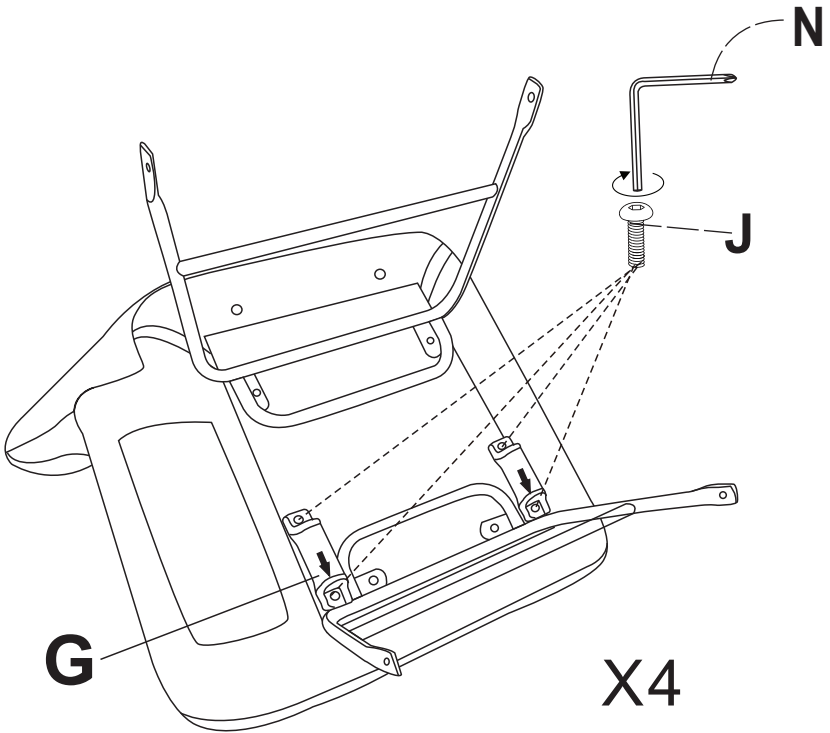
4




Attention :

1.screws should be only 50% tight.

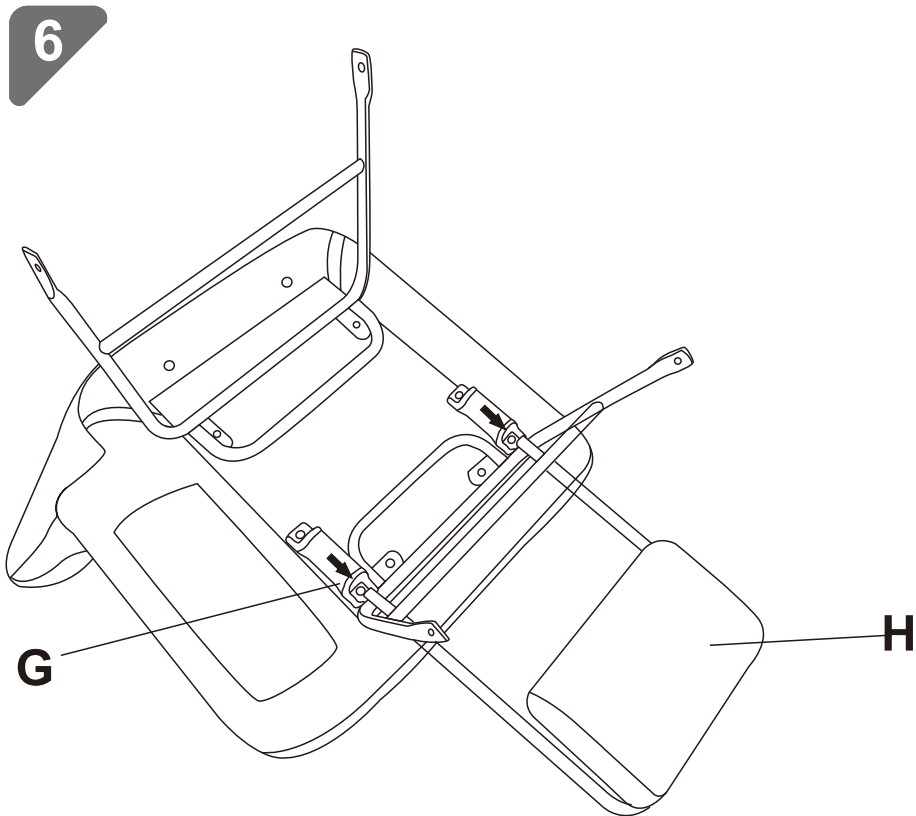
5



J  4PCS

Attention :

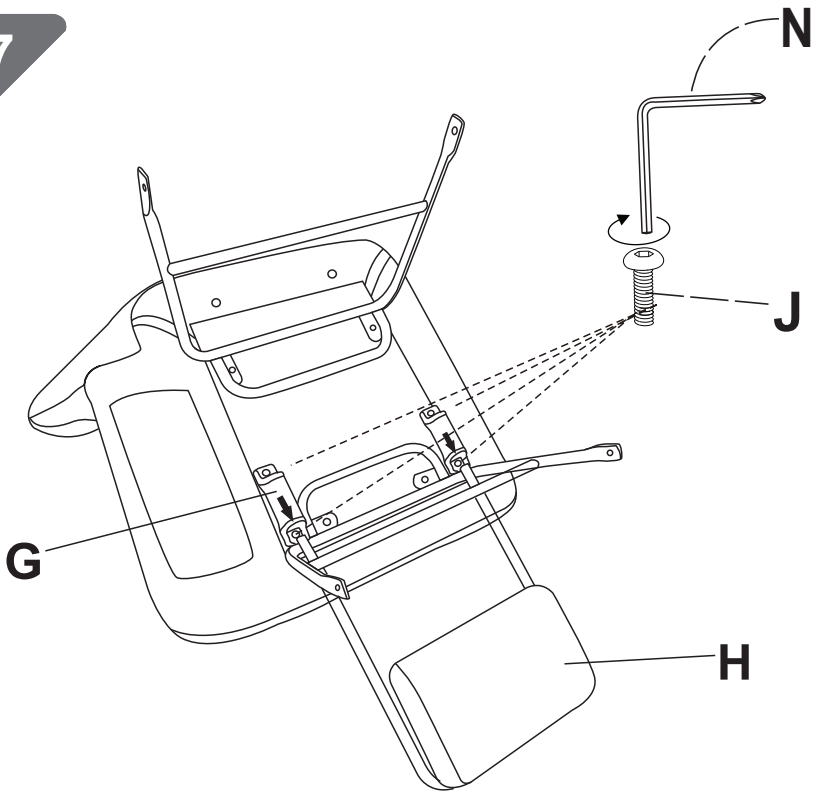
1.Insert H into G holes.



Attention :

1. after all the screws adjust the holes then tight screws 100% totally.

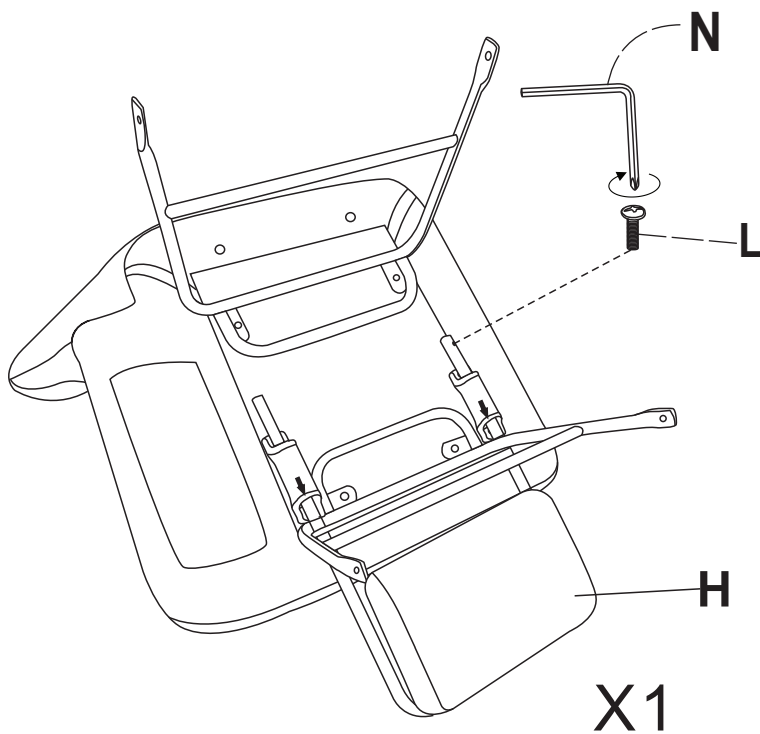
7



Attention :

1.lock the screw.

8



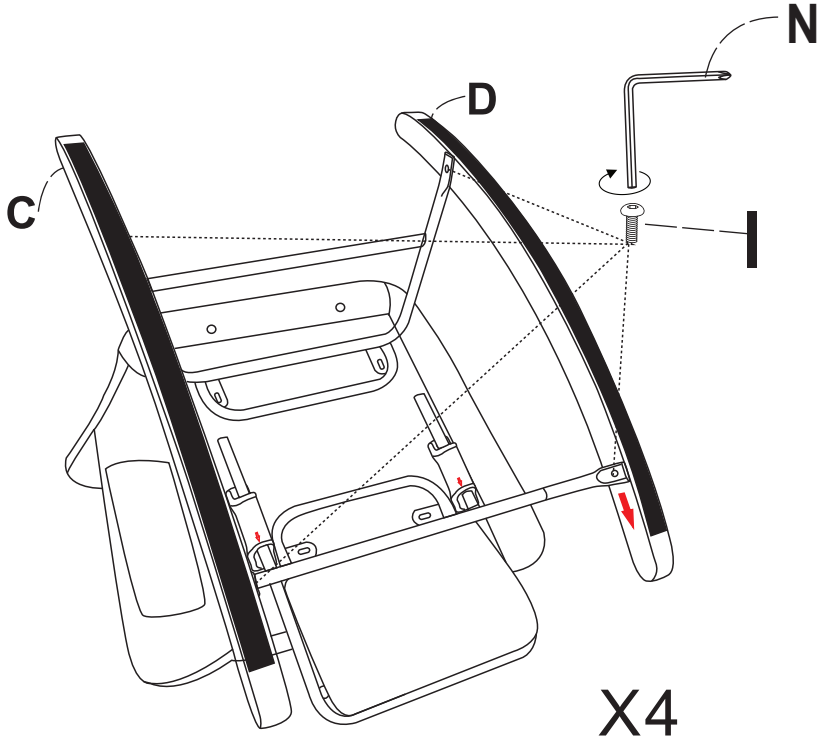
L  1PC

Attention :

1.screws should be only 50% tight.

9

Make sure the arrows are pointing forward.

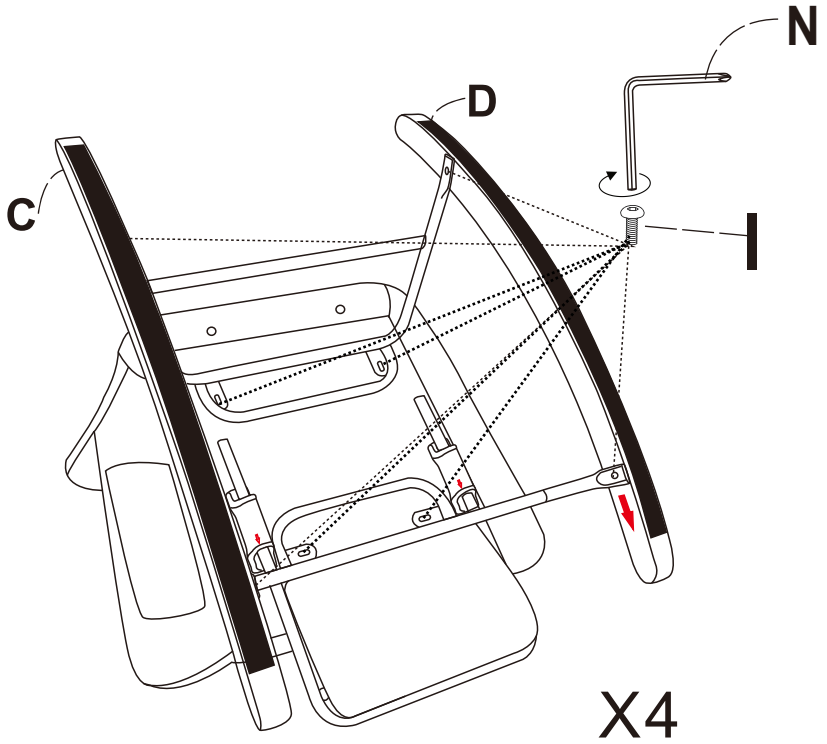


4PCS

Attention :

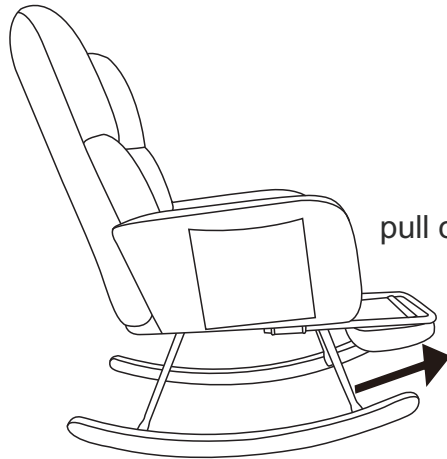
1. after all the screws adjust the holes then tight screws 100% totally.

10



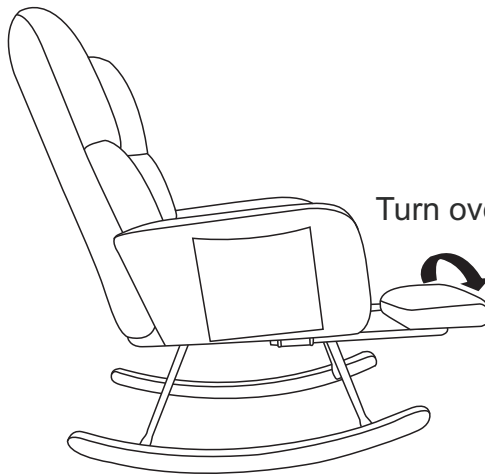
4PCS

11



pull out the footrest.

12



Turn over the footrest.