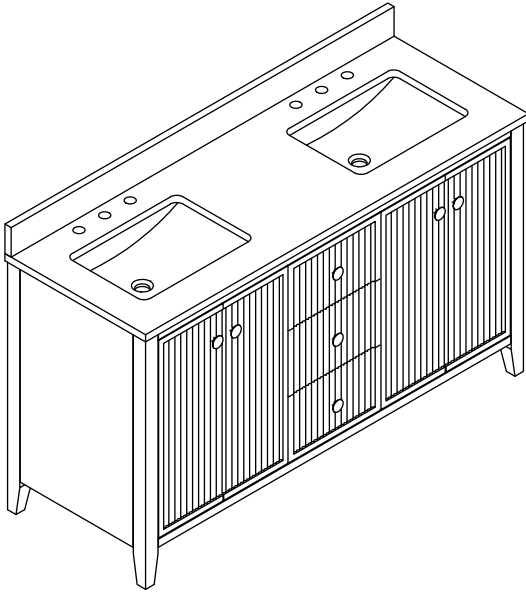


# 60"

## BATHROOM VANITY SET

Colors/Finishes: Ash, Black

Nominal Dimension:60W\*22D\*35H inches

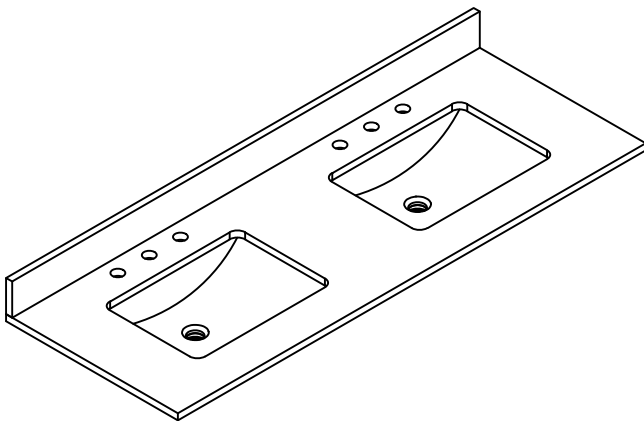


### VANITY FEATURES:

- 1.Material: Solid wood frame, high-quality venner plywood.
- 2.Doors: 4 soft-close doors, Austrial BLUM Soft-close hinges system.
- 3.Drawers: 3 soft-close drawers ,DTC concealed soft-close sliders.
- 4.Hardware: Metal Alloy
- 5.Installation Type: Freestanding
- 6.Built-in Adjusters: Adjustable height levelers
- 7.Vanity Top: High-quality quartz/marble with 2 undermount sinks
- 8.Assemble required: No
- 9.Vanity top Included: Yes
- 10.Mirror Included: Optional
- 11.Medicine Cabinet Included: Optional

### Contents

60"Vanity.....	PAGE2
60"Vanity Top.....	PAGE3
Vanity Installation.....	PAGE4



### VANITY TOP FEATURES:

- 1.Material: Highly resilient, nonporous, scratch-and stain-resistant quartz,or natural Italian Carrera white marble.
- 2.Top Color: Carrera white
- 3.Sink: 2\*20"undermount rectangle sink
- 4.Faucet Holes: Top pre-drilled for 8"widspread faucet holes
- 5.Sink Certified: CUPC certified
- 6.Backsplash: 4"backsplash included
- 7.Faucet Included: No
- 8.Nominal Dimension(W\*D\*H): 60W\*22D\*0.79H inches

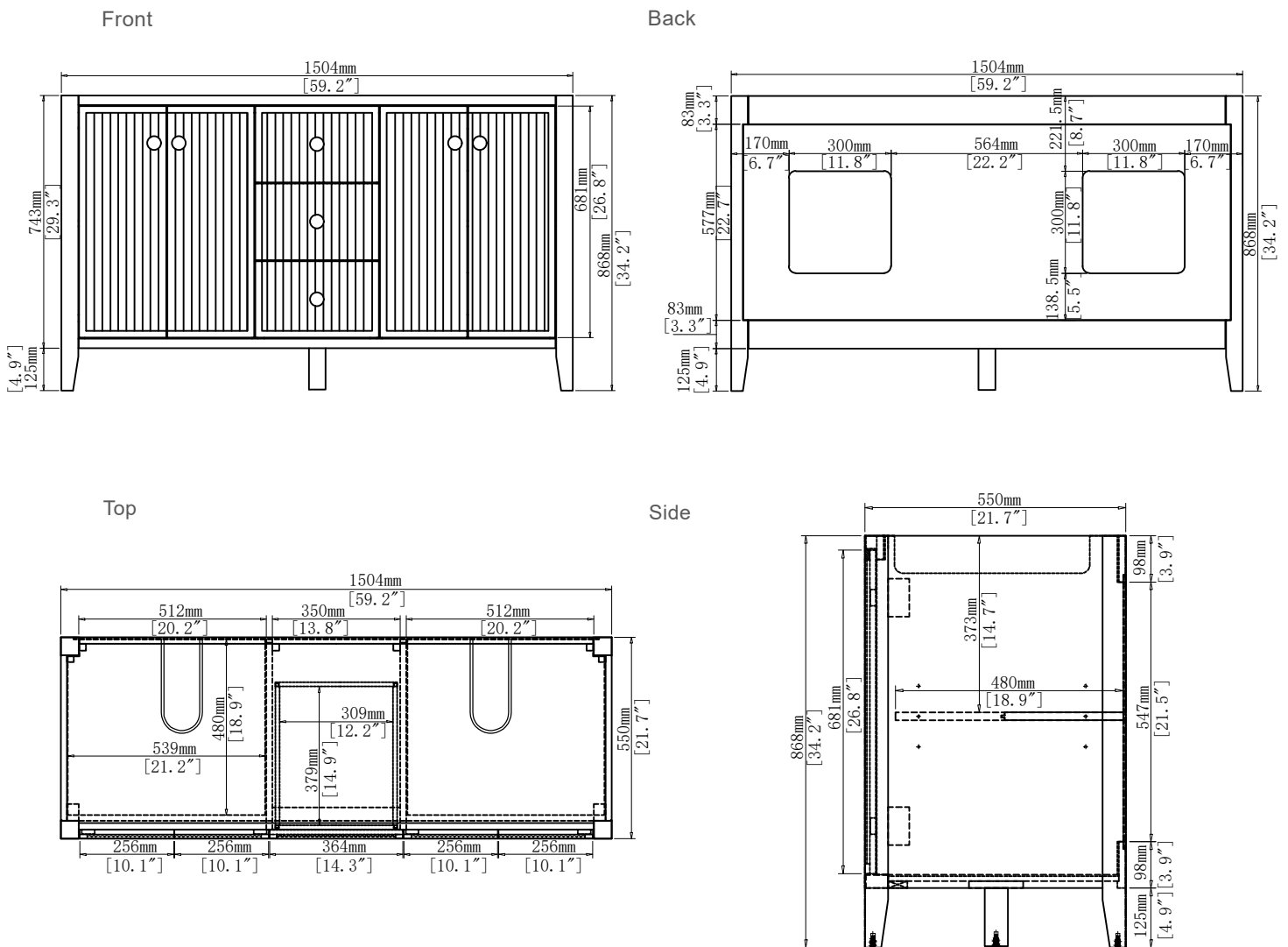
# 60"

## BATHROOM VANITY SET

### COMPONENTS:

Vanity
Vanity Top
Wall Mirror
Medicine Cabinet

### PRODUCT DIAGRAMS:

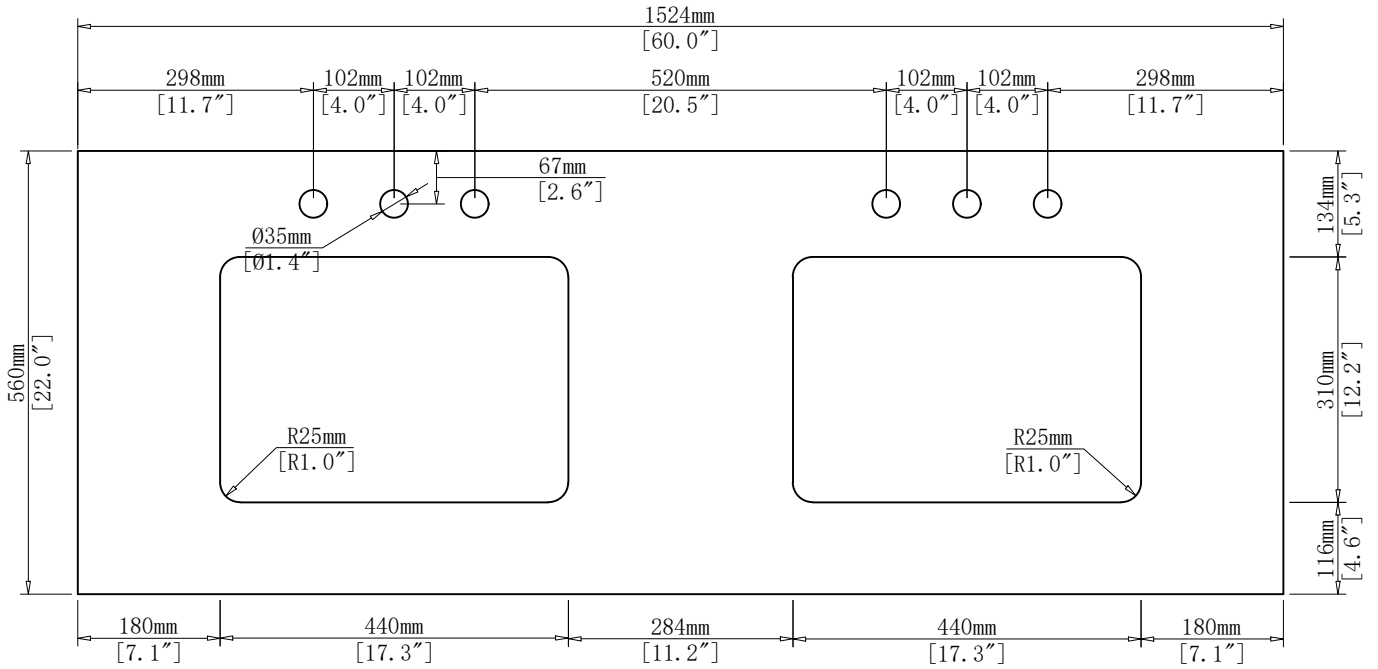


# ANITA 60"

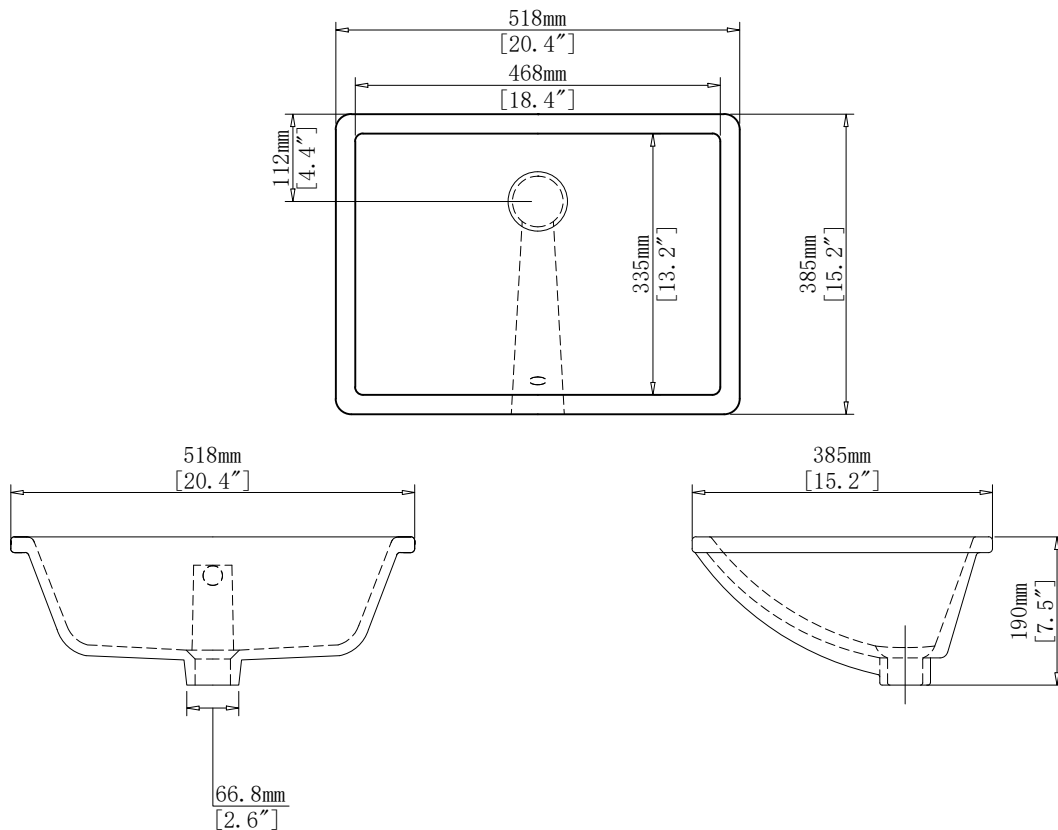
## VANITY TOP

With rectangular undermount sink

### VanityTop

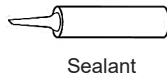


### Undermount Sink



# Vanity Installation

## SUGGESTED TOOLS AND MATERIALS:



Sealant



Measuring tape



Safety glasses



Rag

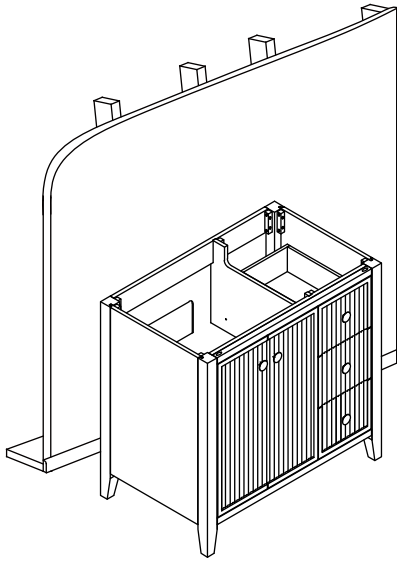


Level

## INSTALLATION INSTRUCTLONS

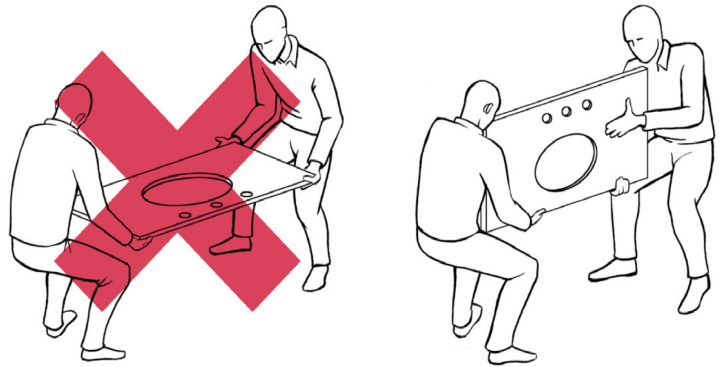
We recommend consulting a professional if you are unfamiliar with installing bathroom fixtures and plumbing .We accept no liability for any damage to the floor,plumbing, vanity cabinet,sink,counter top,or personal injury during installation.

**1**



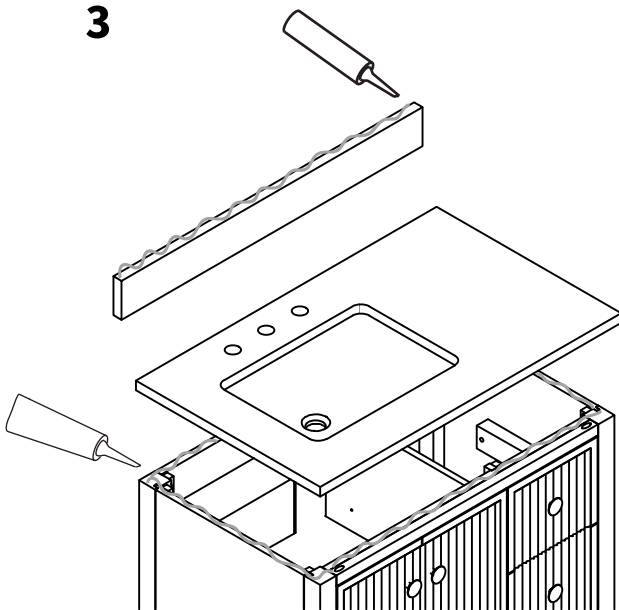
Remove vanity from box and examine vanity for any defects or damage.Carefully place vanity against wall.

**2**



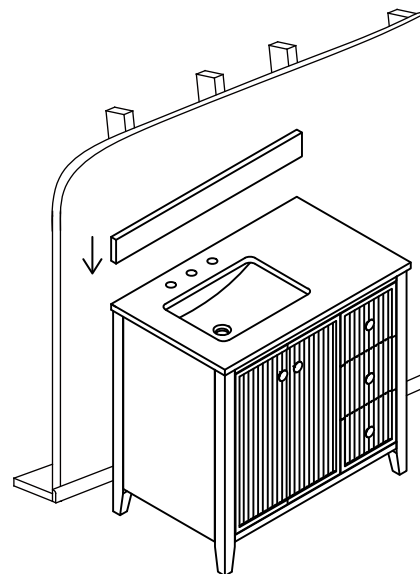
Always use a two man crew,a single person crew is much more likely to break or chip the stone top.

**3**



Apply bead of quality sealant evenly along the bottom of back splash and the top of the vanity.

**4**



Finally,place the bottom side of back splash with sealant onto the counter top and check alignment of back splash.