
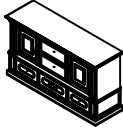





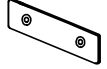


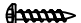
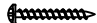
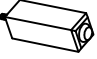

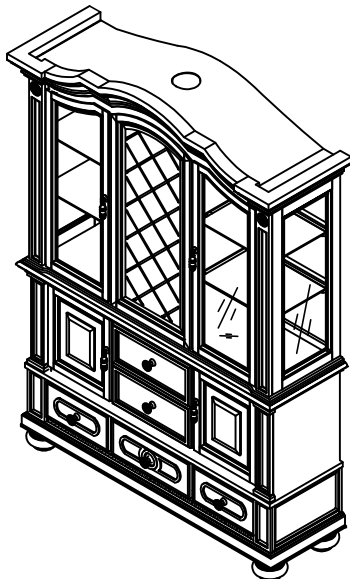


ASSEMBLY INSTRUCTION

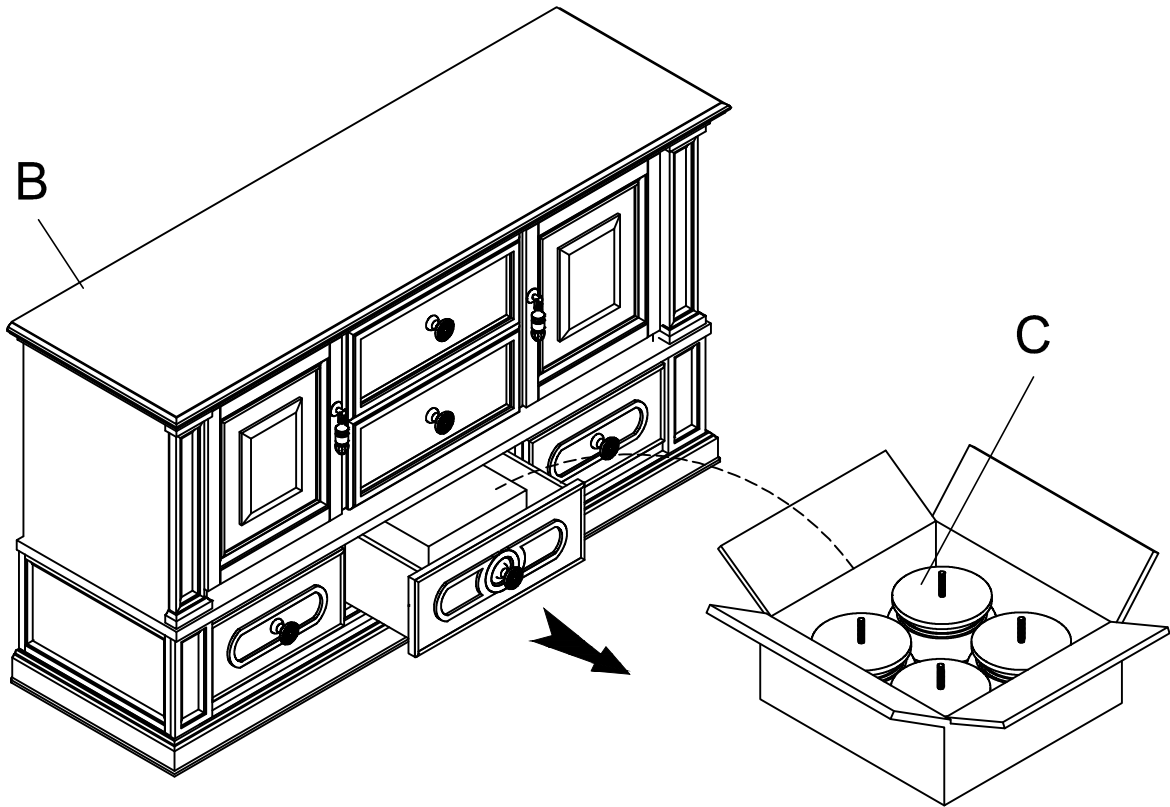
HUTCH / BUFFET

A Hutch  1pc	B Buffet  1pc	C Bun Foot (In the drawer of buffet)  4pcs	D Side Glass Shelf 432*317*5mm  4pcs
E Middle Glass Shelf 460*320*5mm  2pcs	F Screw $\varnothing 7 \times 15 \text{mm}$  4pcs	G Glass Shelf Support  4pcs	H Metal Plate  2pcs
I Strap  2pcs	J L Bracket  4pcs	K Screw $\varnothing 8 \times \varnothing 4 \times 20 \text{mm}$  2pcs	L Screw $\varnothing 8 \times \varnothing 4 \times 38 \text{mm}$  2pcs
M Support Leg  1pc	N Glass Gasket 1mm  8pcs		

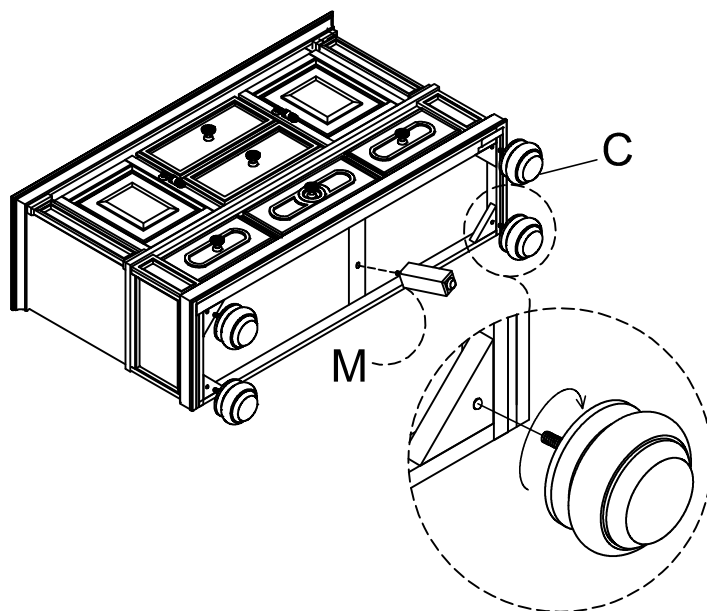


This page lists all the contents included in the box. Please take the time to identify the hardware as well as the individual components to this product. As you unpack and prepare for assembly, place the contents on a carpeted or padded area to protect them from damage.

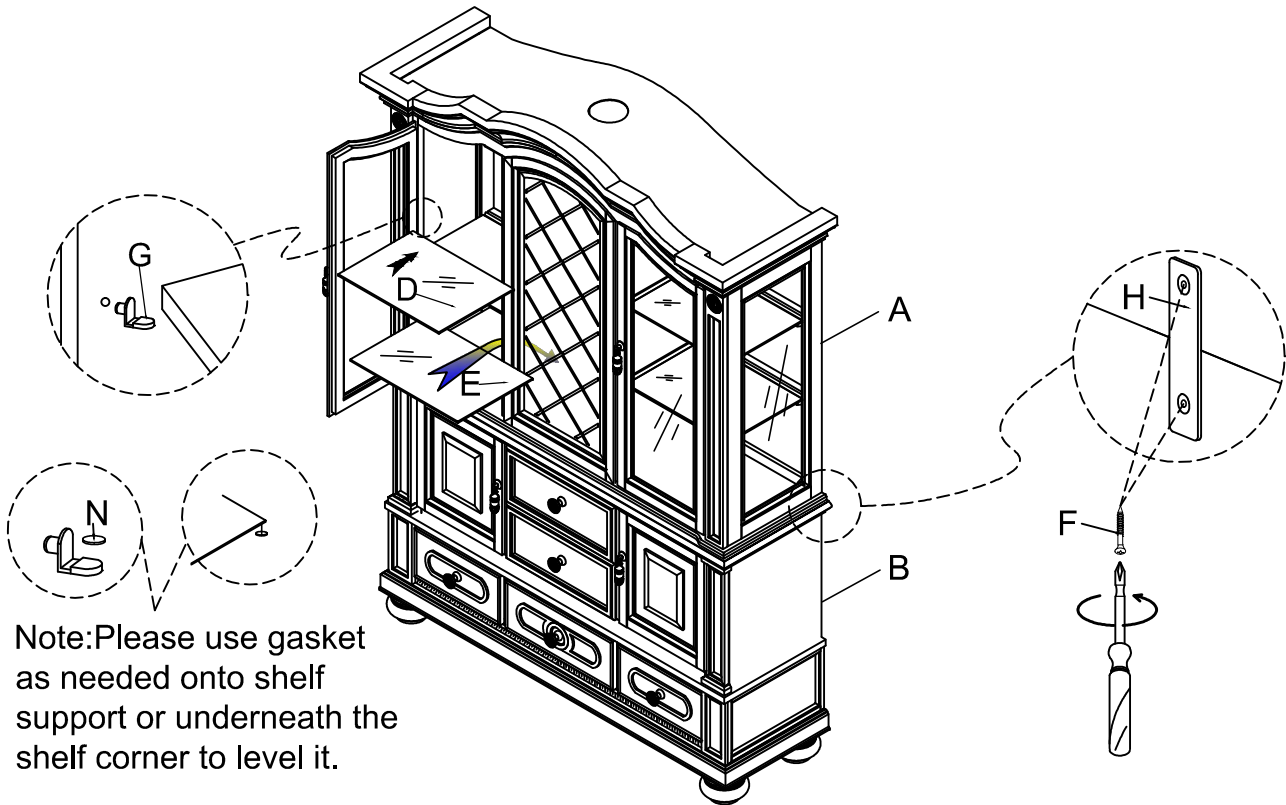
1 Open the drawer of the buffet (B) and open the box of the bun foot(C).



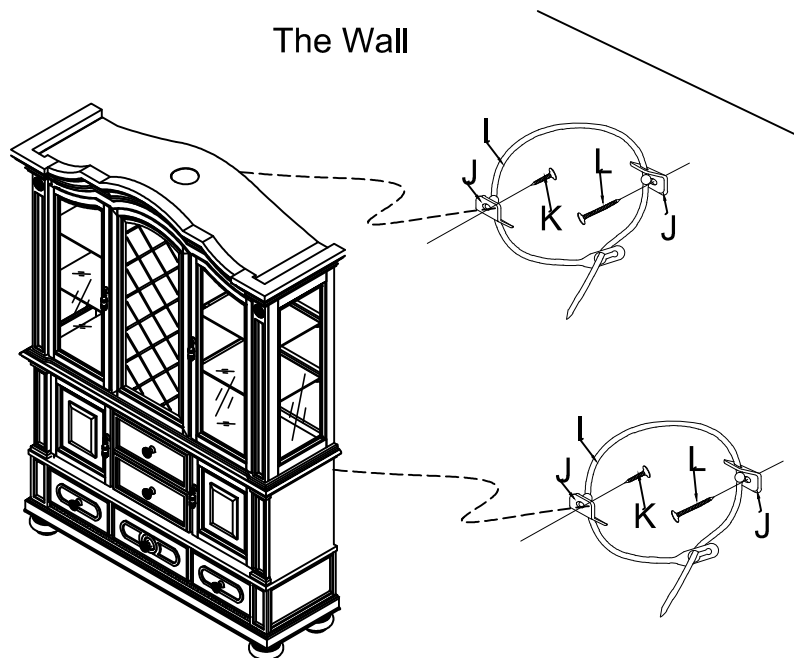
2 Place the buffet (B) outside down smooth carpet surface. Tighten the bun foot (C) and the support leg (M).



- 3** Open the door of the hutch (A) and input the middle glass shelf (E). Tighten the glass shelf support (G) on the hutch and input the side glass shelf (D). Fix the hutch and the buffet by the metal plate (H) and screws (F).



- 4** Fix the hutch and buffet to the wall by the L bracket (J) and the strap (I) using screws (K)(L).



Cleaning & Care

Treat surface with care. Surface is resistant to scratches but is not scratch resistant. Clean surface with a dry or damp soft cloth. Do not use abrasive cleaners. Hardware may loosen overtime. Periodically check that all connections are tight.