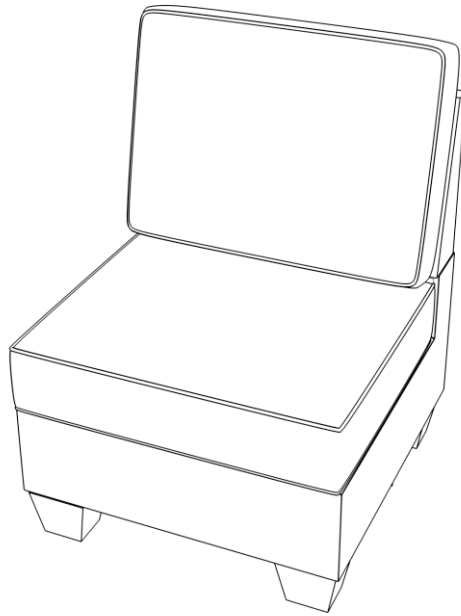
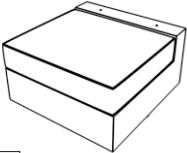
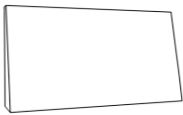

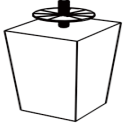



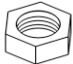

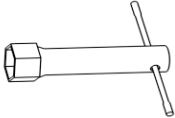
ASSEMBLY INSTRUCTION



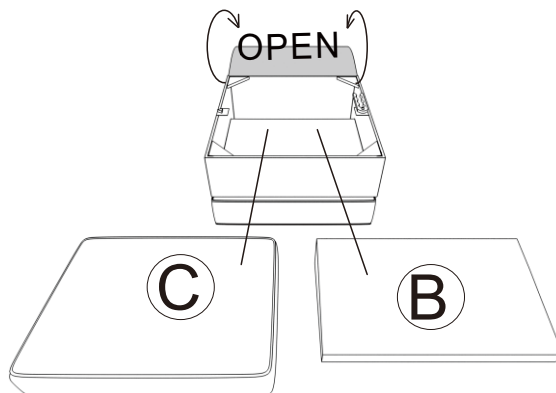
PARTS LIST

			
A x1	B x1	C x1	D Leg x4

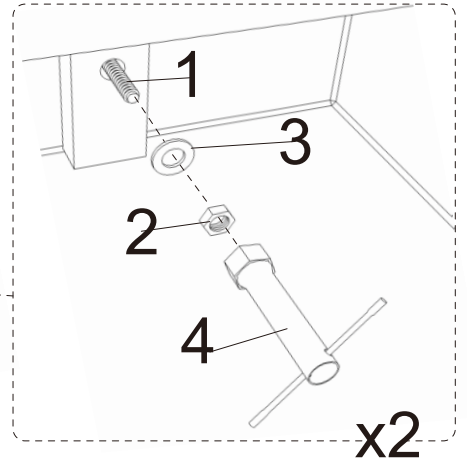
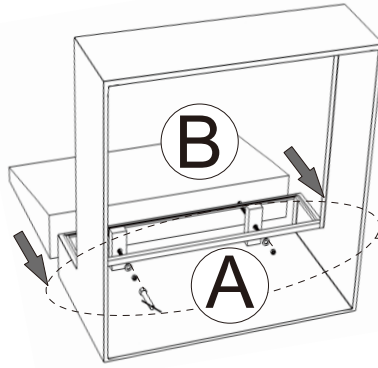
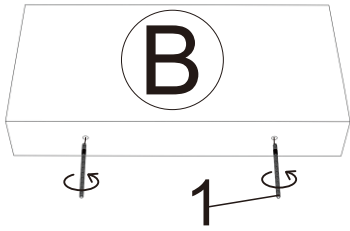
HARDWARE LIST

			
1 Bolt x2	2 Nut x2	3 Washer x2	4 Wrench x1

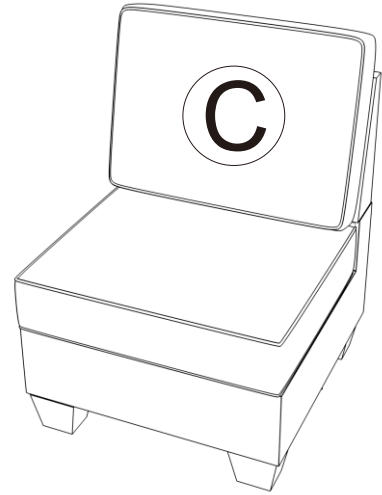
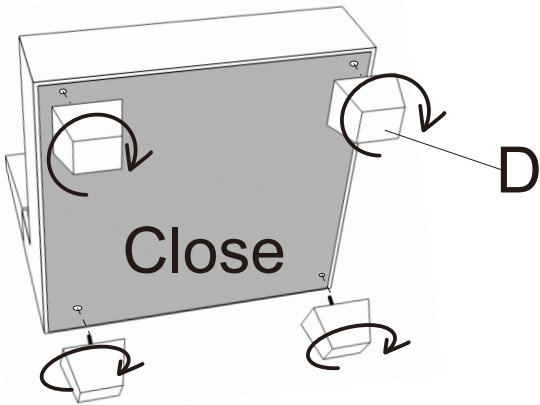
Step1



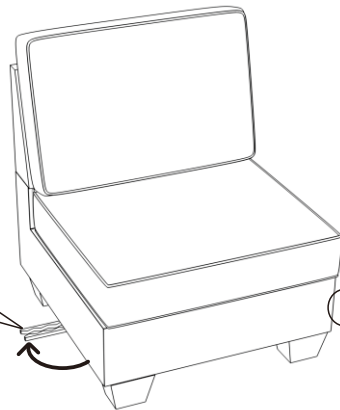
Step1



Step1



Launch the bottom connector.



this is the bottom connector.



Can be combined with the same series of products.

