

SKU:HK-DS-016V1-N-8D47



C1-20260403

Before Assembly

Please read the **USER MANUAL** thoroughly for quick assembly, and check according to **Accessories**.



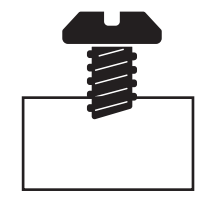
Laying Protection:

To protect the product and your flooring during installation, please lay protection before installation



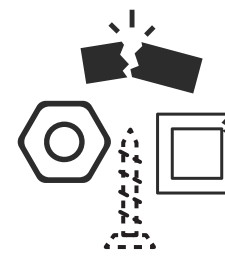
No Electric Drill:

For longer use, please use the installation tools supplied with the product.



80% fixing screws:

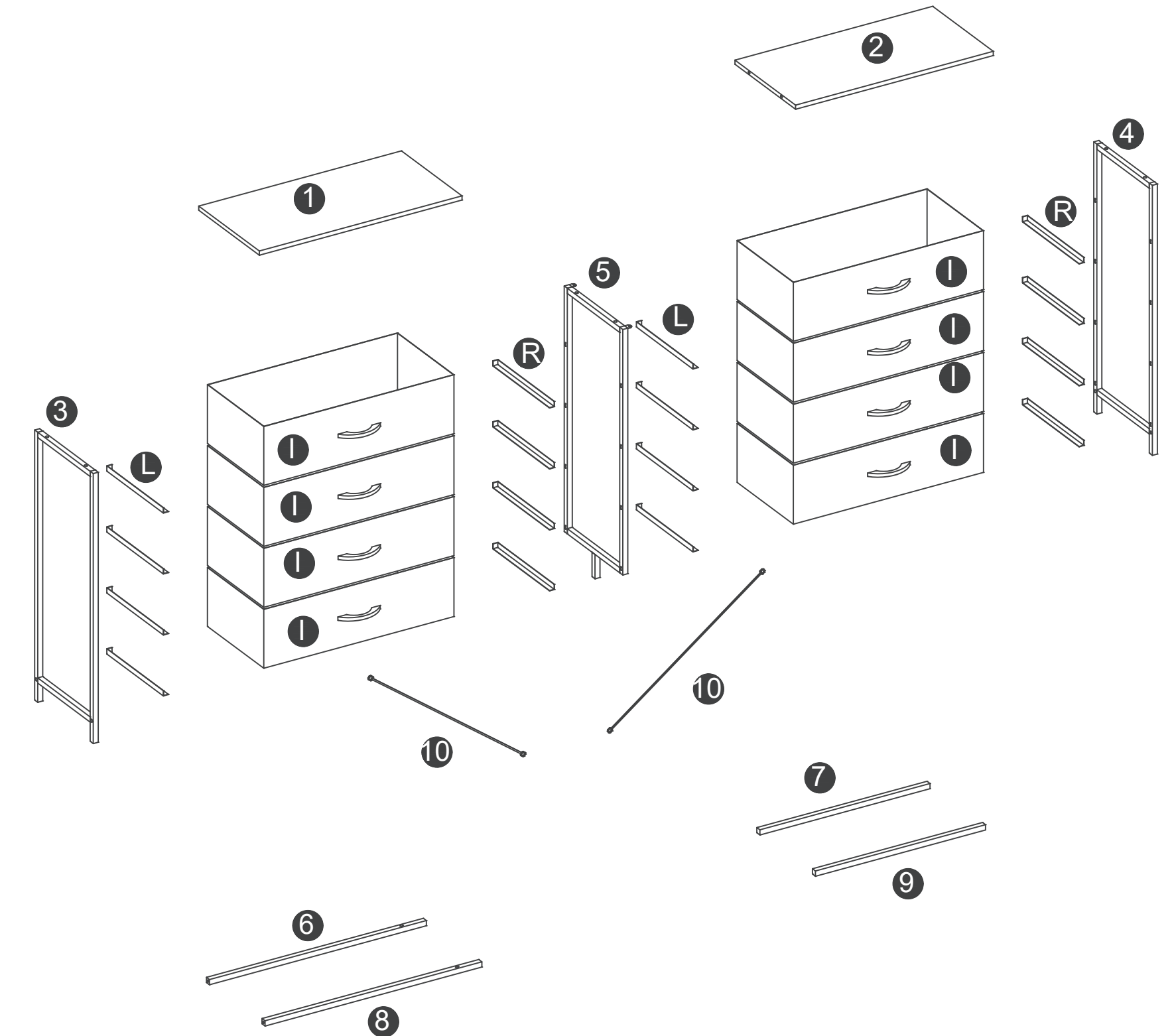
For easy installation, fix the screws up to 80% first, and fasten the screws completely after completing the installation.







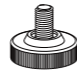



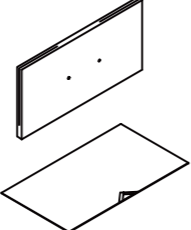
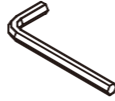

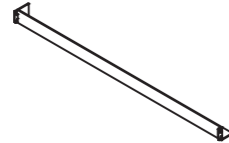
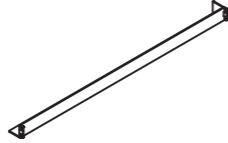
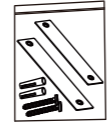
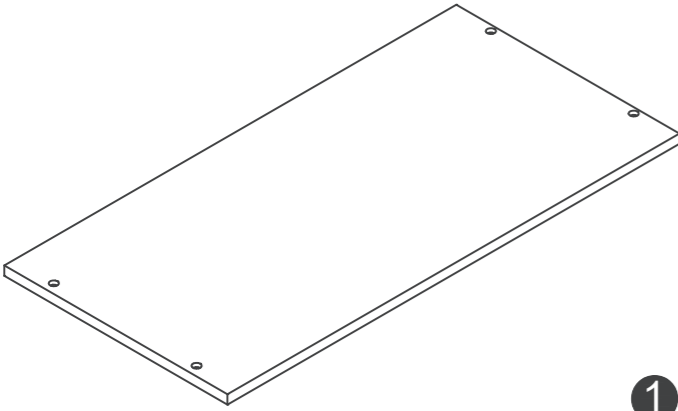
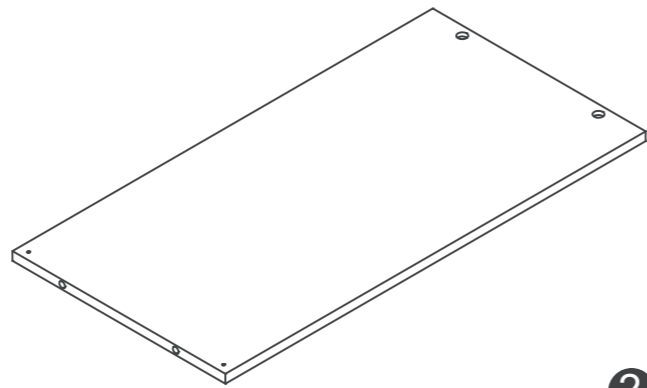
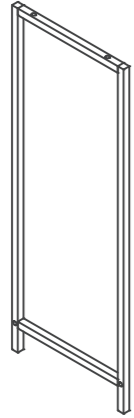


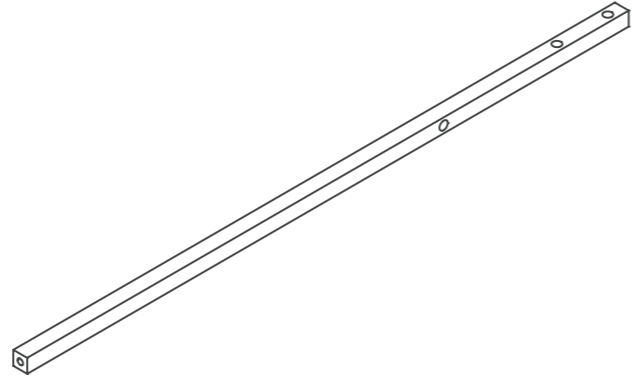
Missing Parts or Broken:

Please feel free to contact us via Amazon Orders or Customer Support Email. We promise to ship the missing or replacement parts to you free of charge.

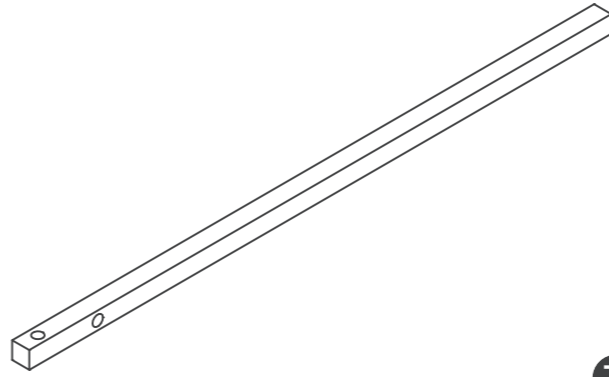
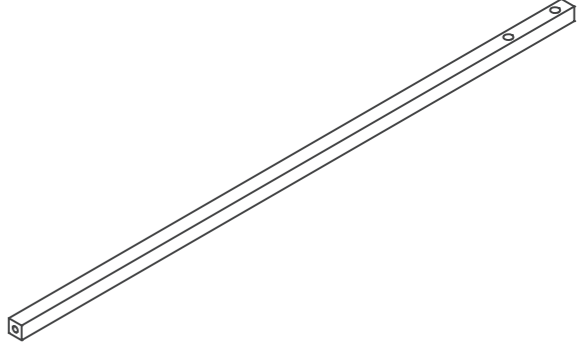
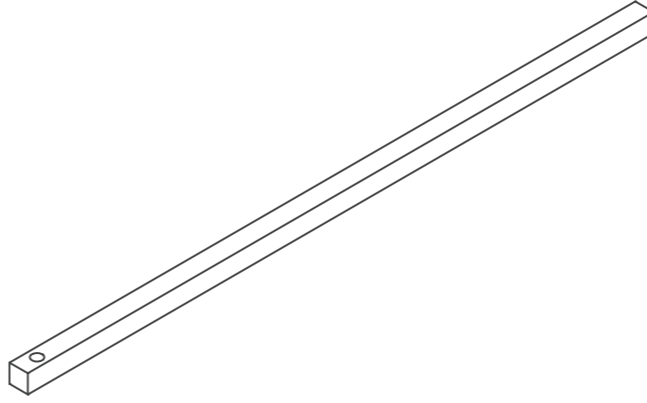

Disassembly Diagram



Accessories

| | | | | |
|--|---|--|---|--|
| M6*23  A 14PCS | M6*10  B 9PCS | M4*12  C 18PCS | M4*12  D 3PCS | M6  E 5PCS |
|  F 2PCS |  G 3PCS |  H 8PCS |  I 8PCS |  J 1PC |
|  K 1PC |  L 8PCS |  R 8PCS |  S 1PC | |
|  1 1PC | |  2 1PC | | |
|  3 1PC | |  4 1PC | | |
|  5 1PC | |  6 1PC | | |

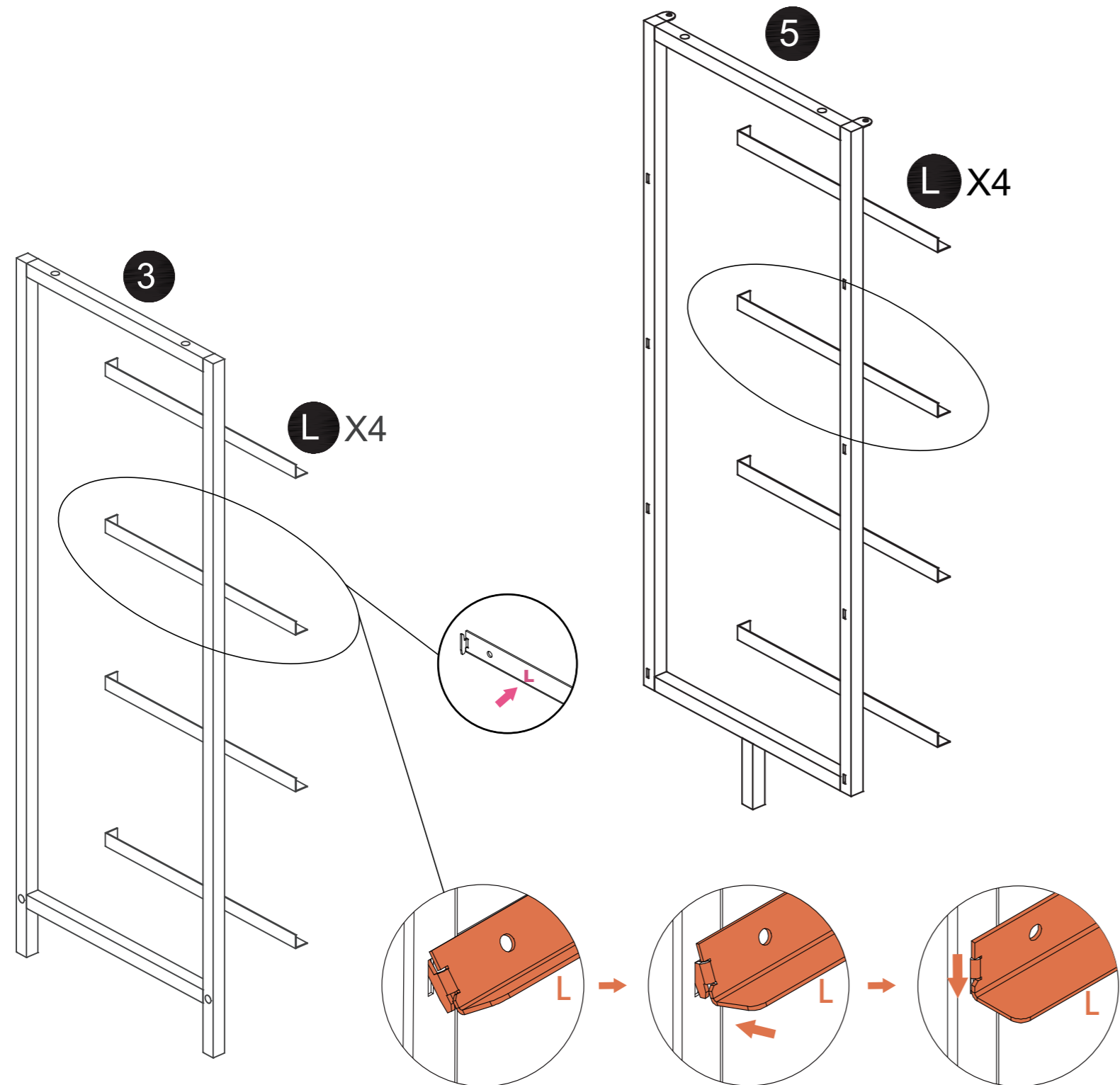
Accessories

| | |
|---|---|
|  7 1PC |  8 1PC |
|  9 1PC |  10 2PCS |

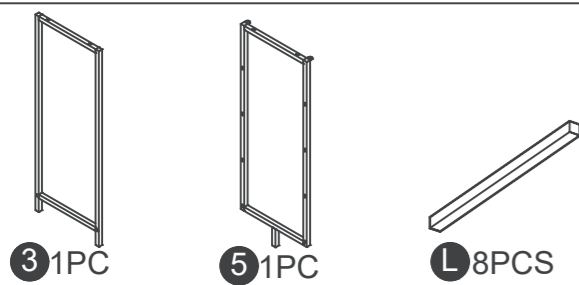


STEP1

Insert both ends of the **L** part into the slots on the frame **3**, **5**



1. Insert the guide rail diagonally at a 45° angle into the square hole simultaneously from both front and back.
2. Lift the lower corner of the guide rail and insert it into the square hole.
3. Align the guide rail with the steel pipe and press it down into place.

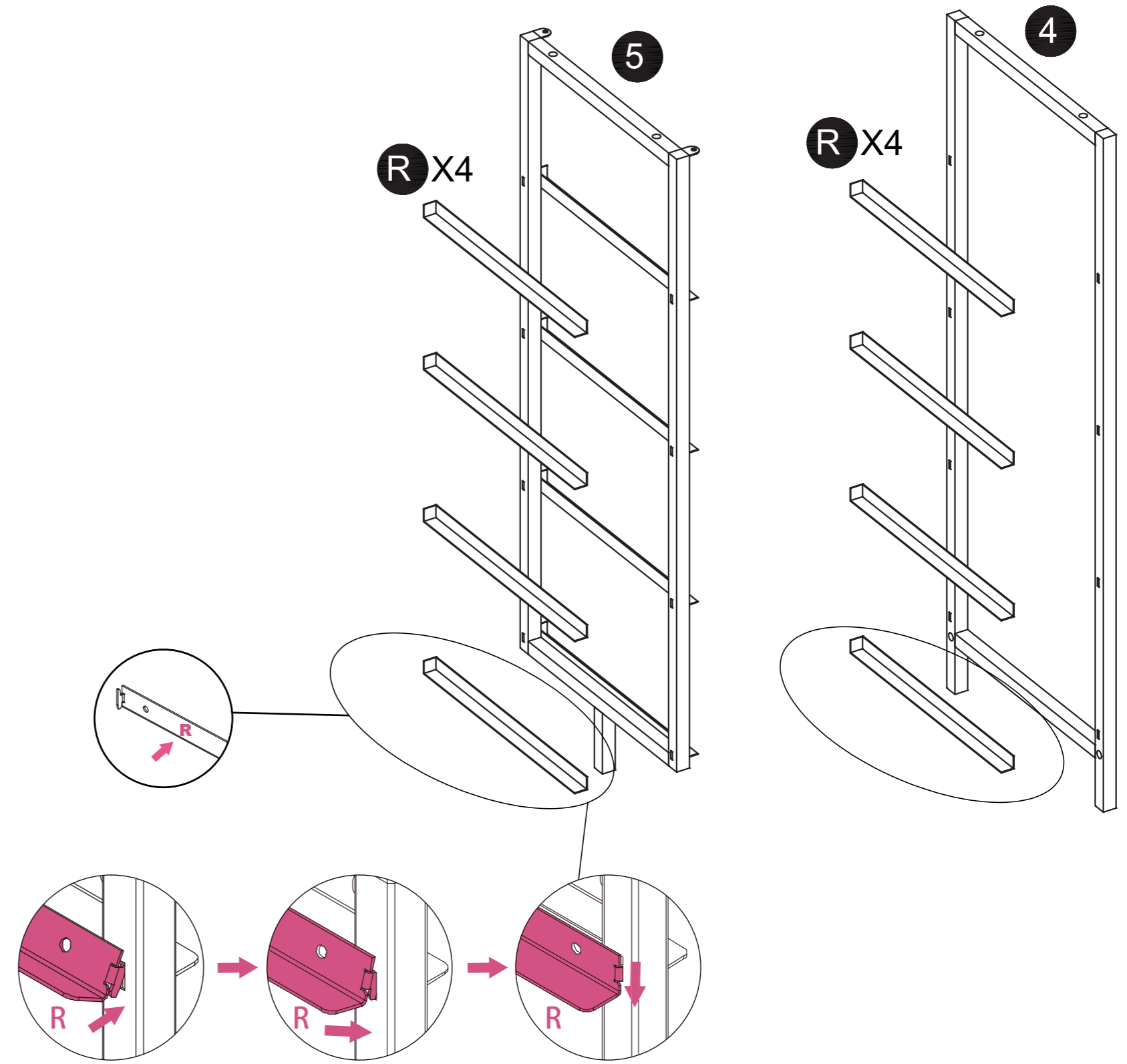


1

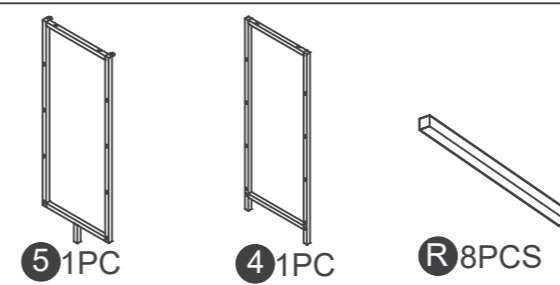


STEP2

Insert both ends of the **R** part into the slots on the frame **4**, **5**



1. Insert the guide rail diagonally at a 45° angle into the square hole simultaneously from both front and back.
2. Lift the lower corner of the guide rail and insert it into the square hole.
3. Align the guide rail with the steel pipe and press it down into place.

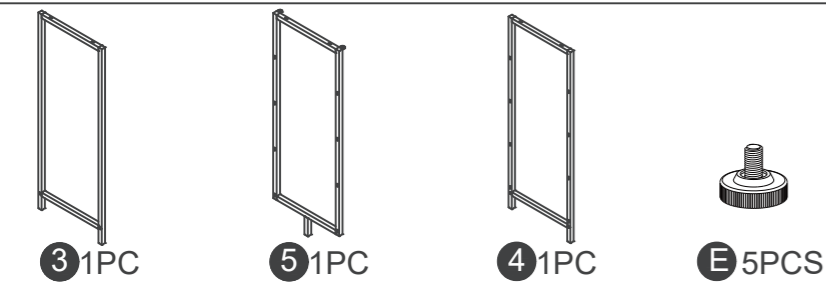
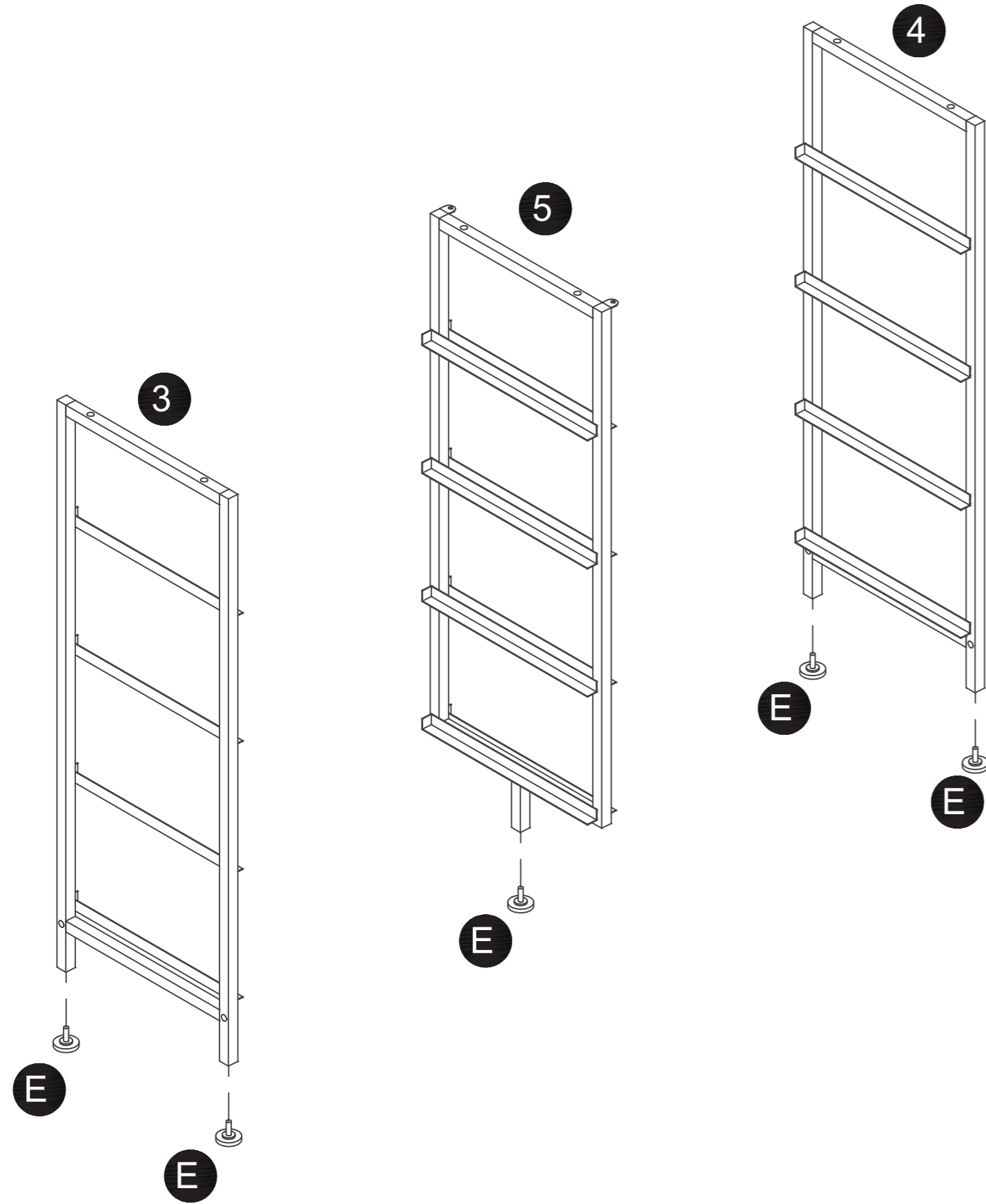


2



STEP3

Install part **E** on the frame.

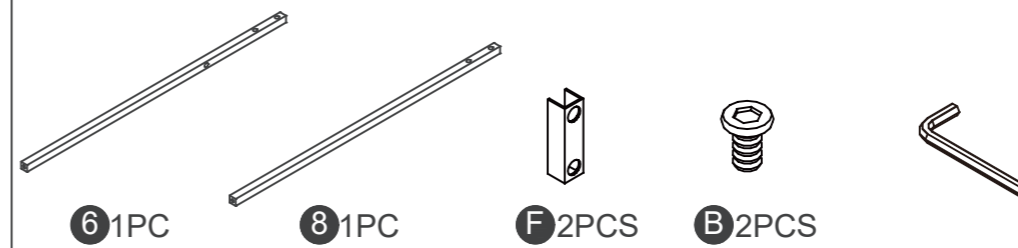
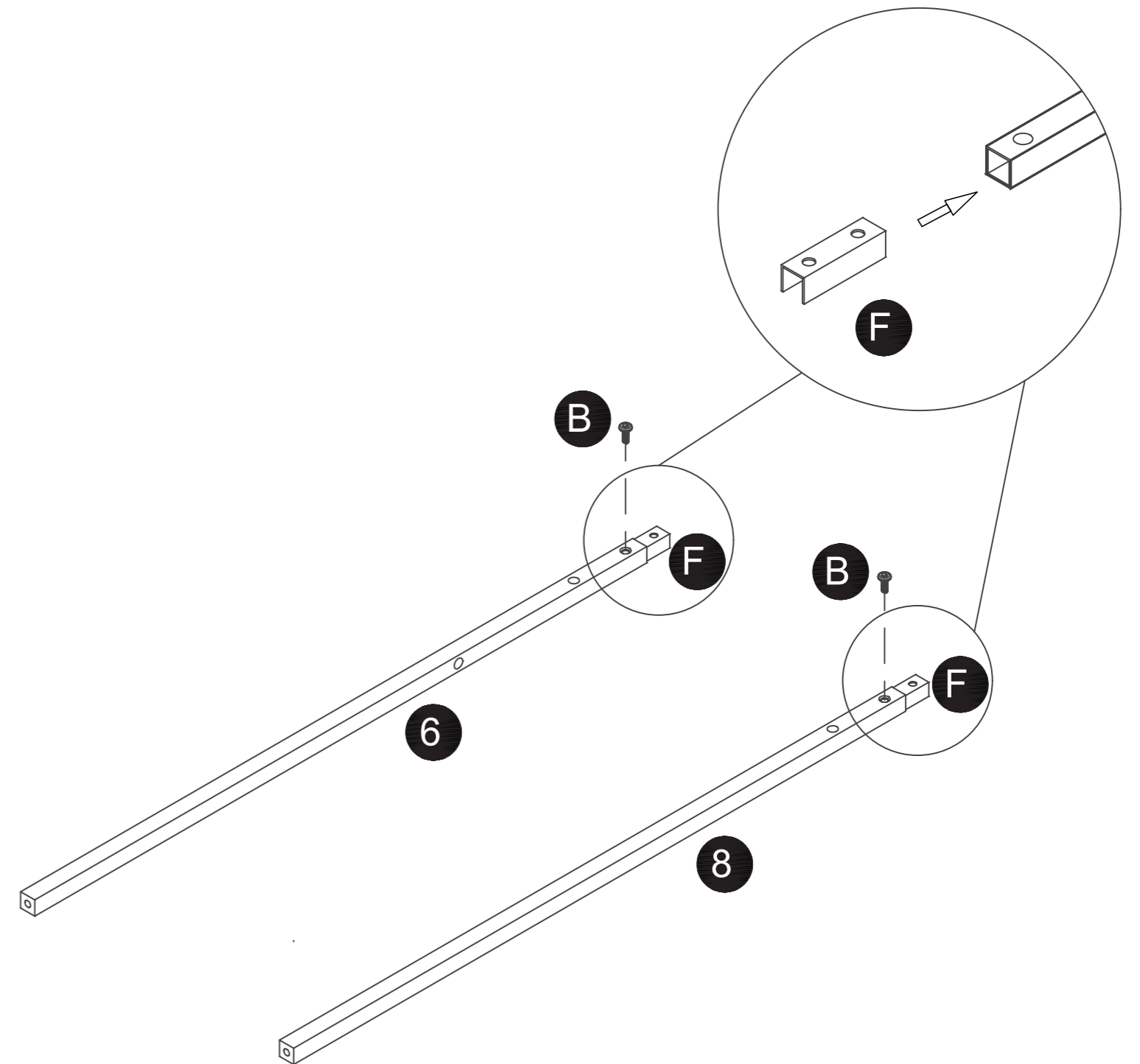


3



STEP4

Fix part **F** onto parts **6** and **8** with screw **B**.

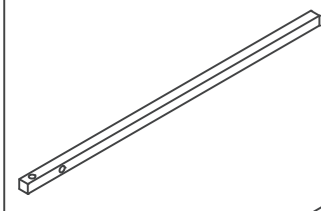
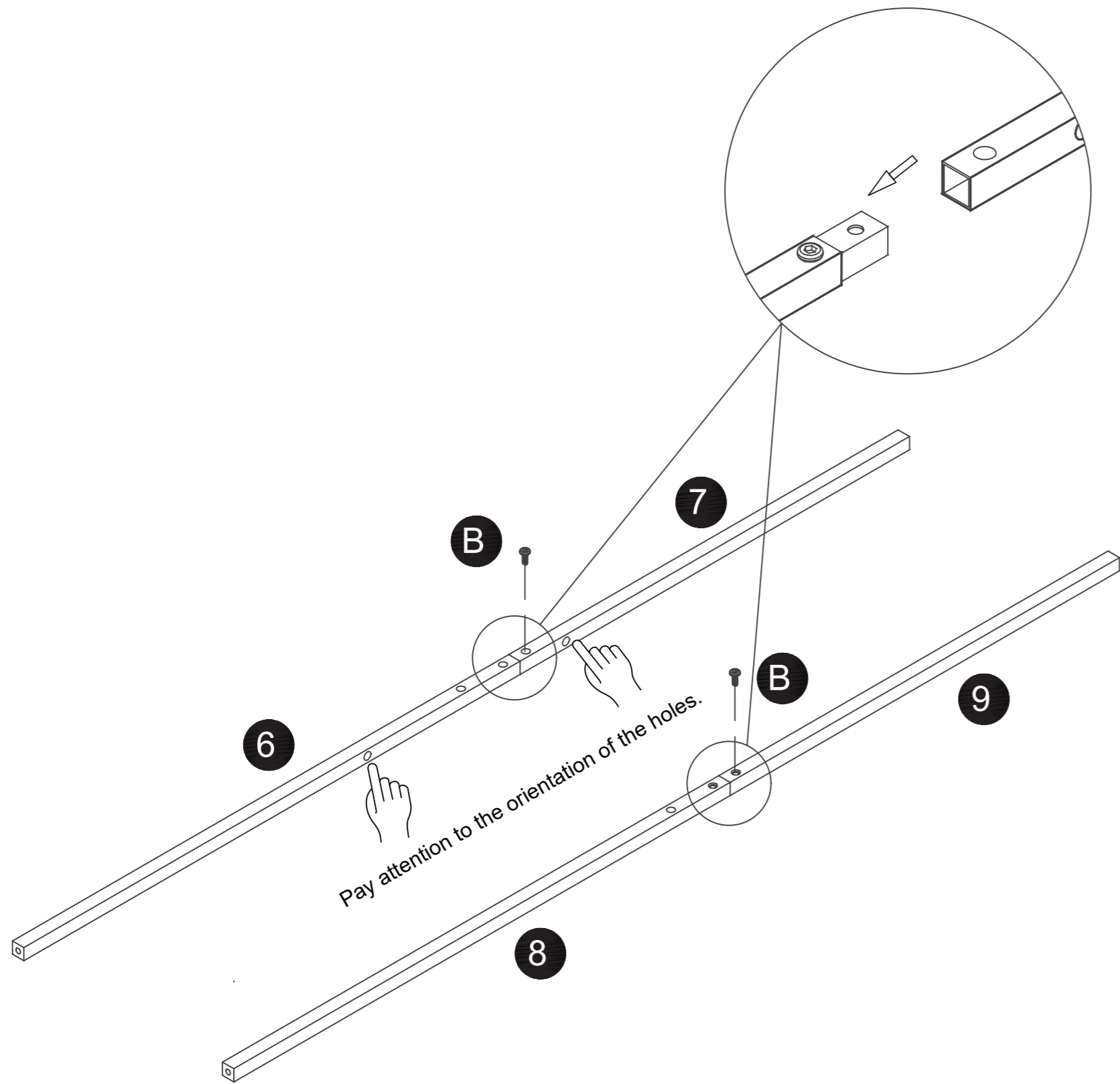


4

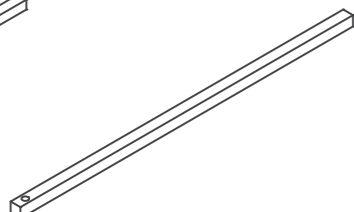


STEP5

Fix parts **7** and **9** onto parts **6** and **8** with screw **B**.



7 1PC



9 1PC



B 2PCS

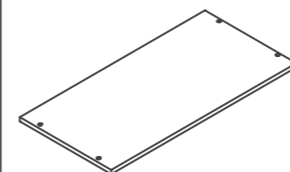
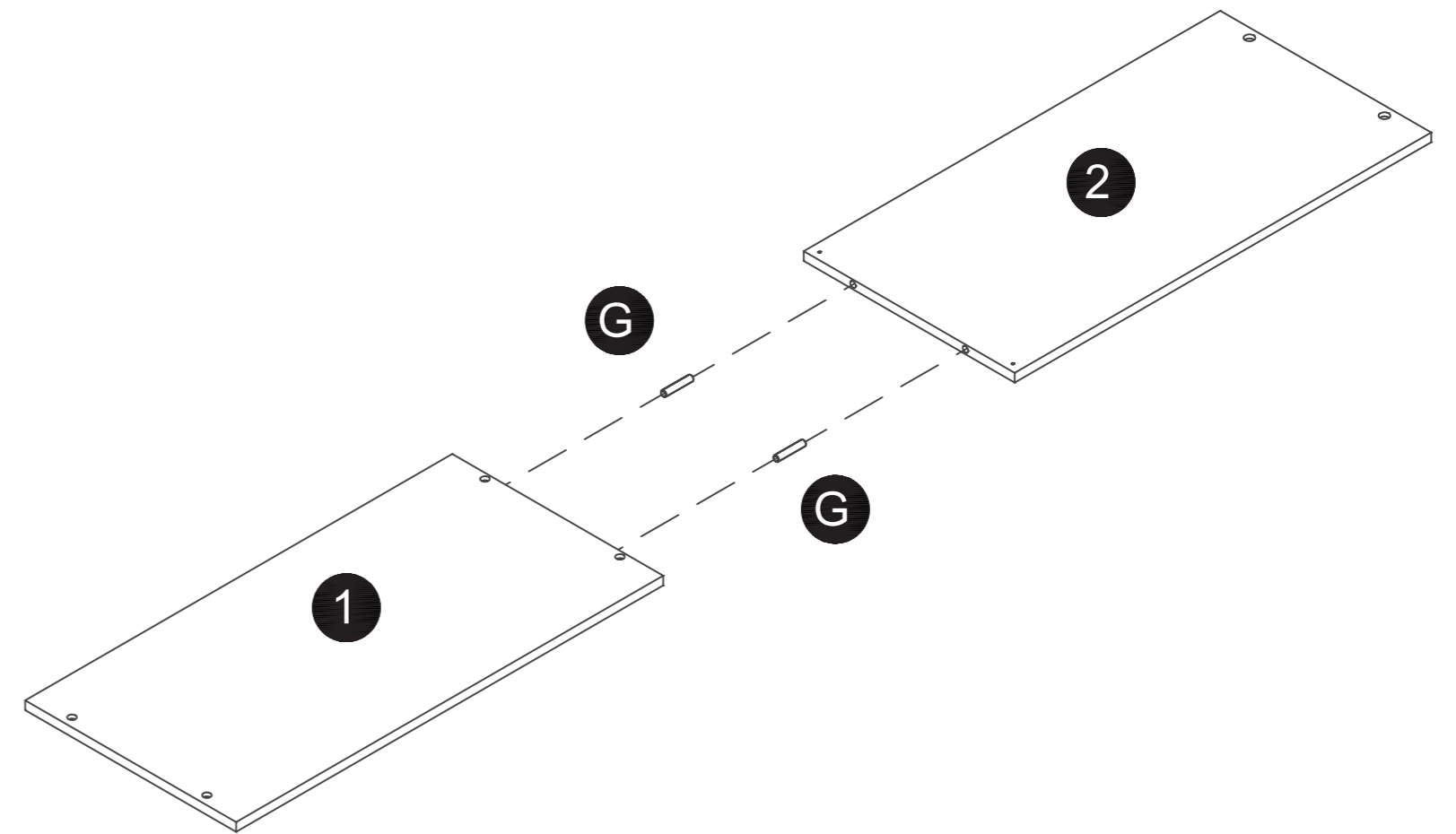


5

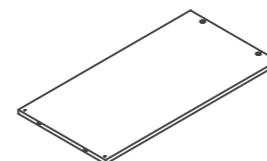


STEP6

Connect Wooden Board **1** and Wooden Board **2** with Part **G**



1 1PC



2 1PC



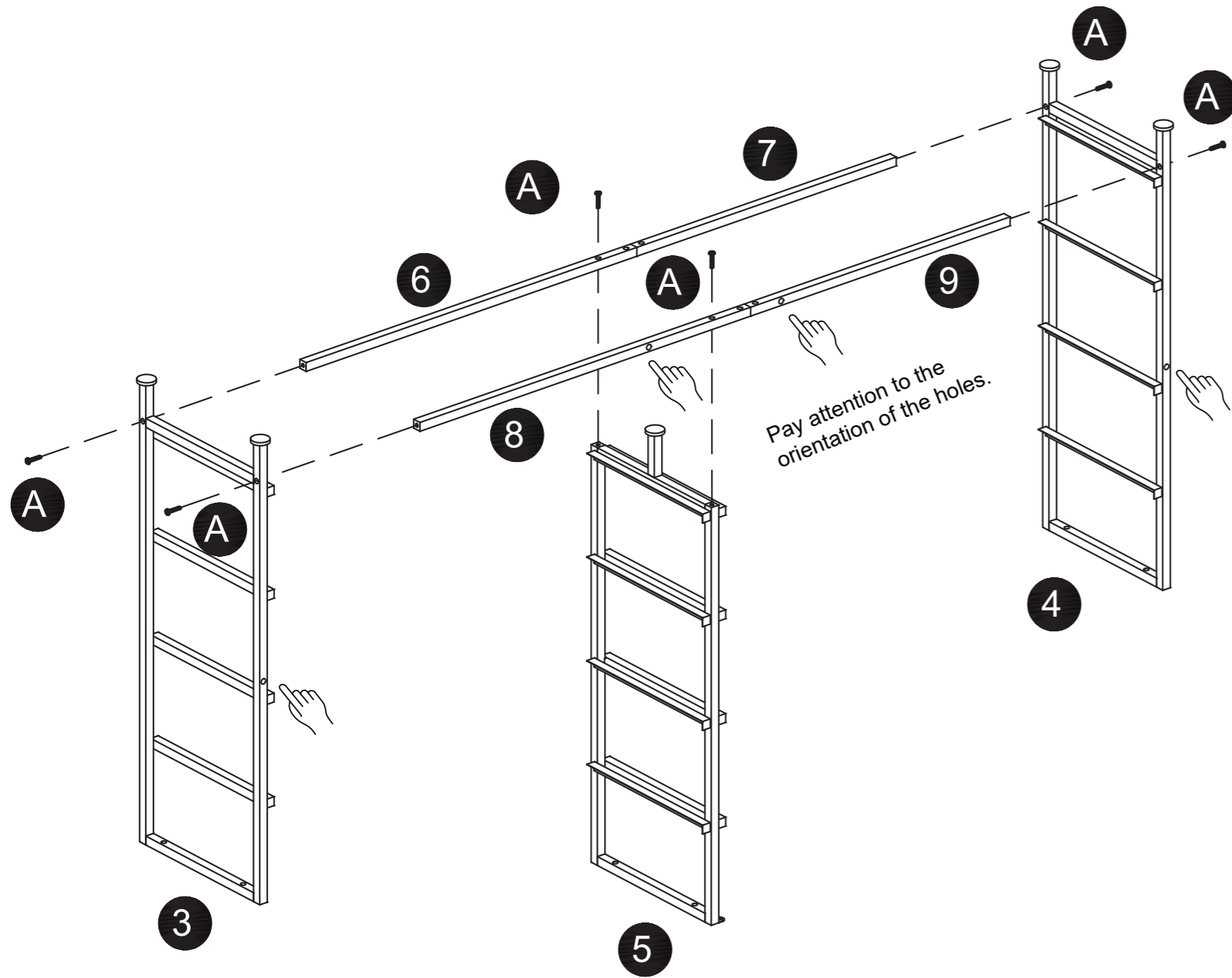
G 2PCS

6

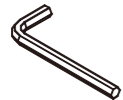


STEP 7

Fix the pipe fitting onto the frame 3 & 4 & 5 using screw A.



A 6PCS

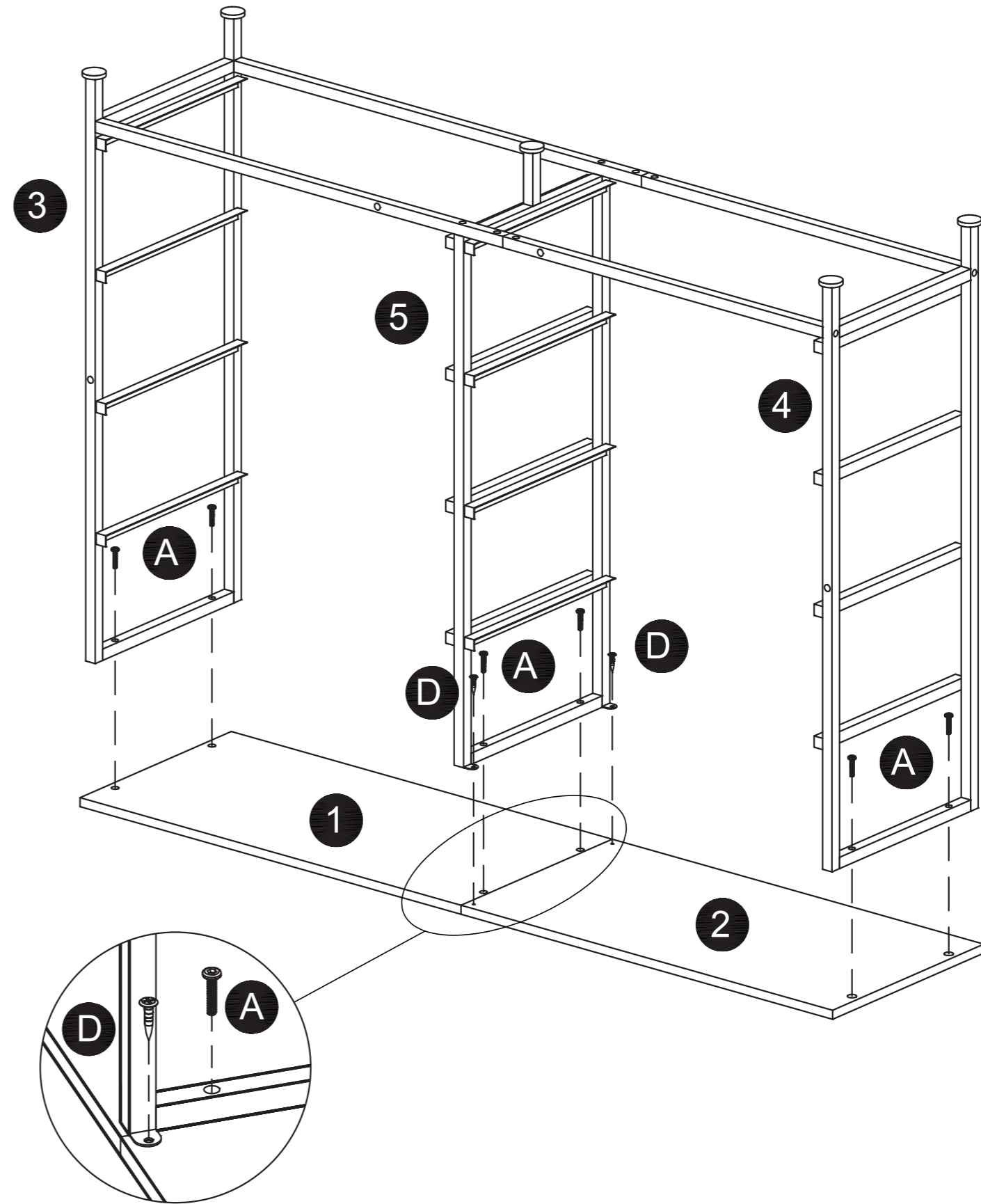


7



STEP 8

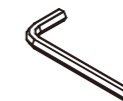
Fix parts 3 & 4 & 5 onto the board using screws A & D



A 6PCS



D 2PCS

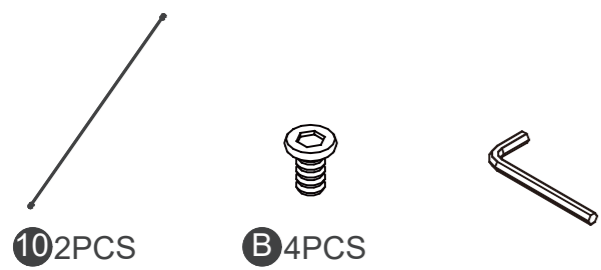
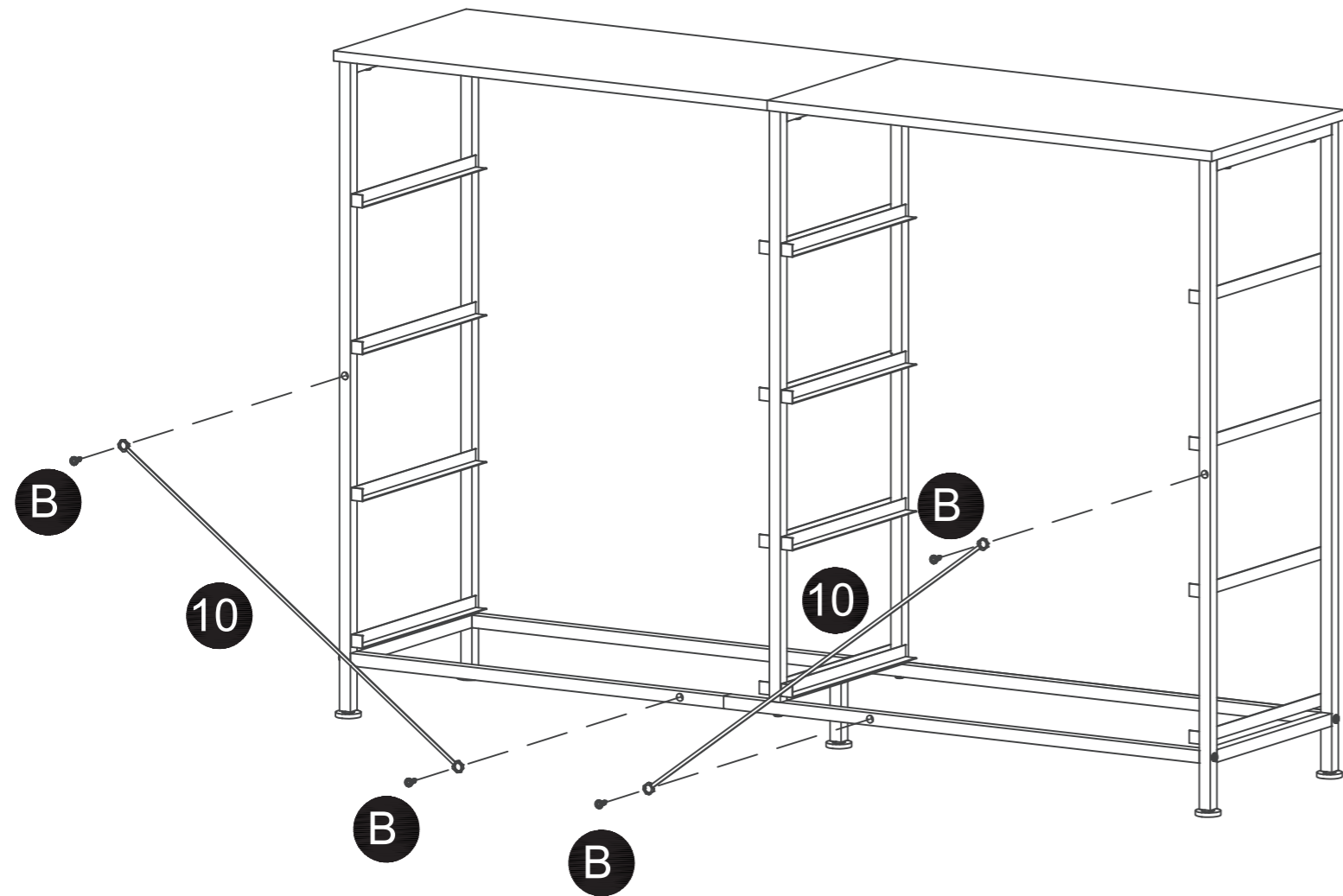


8



STEP 9

Fix part **10** onto the frame using screw **B**.



10 2PCS

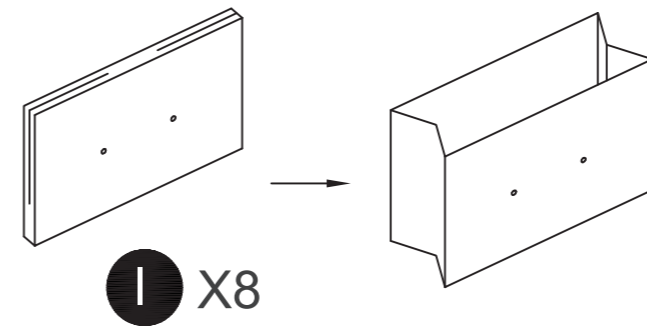
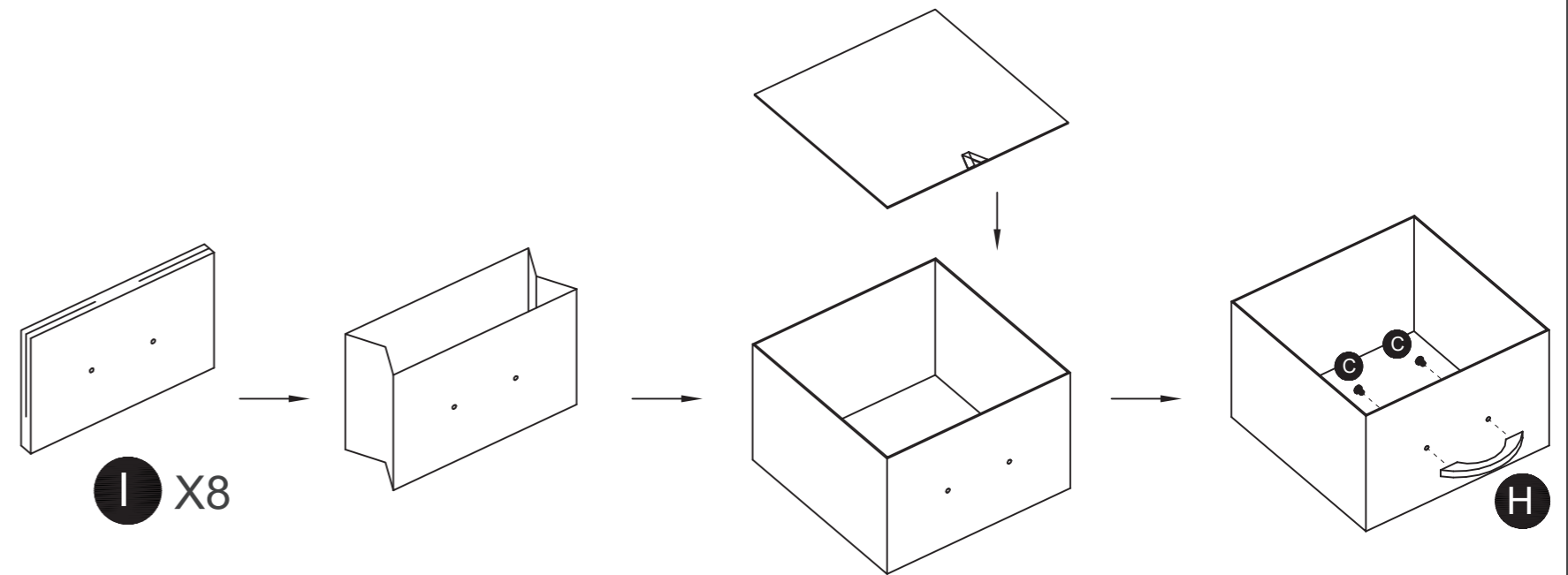
B 4PCS

9

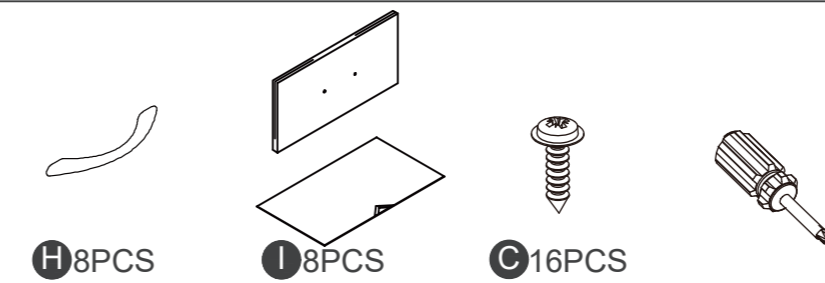


STEP 10

Assemble the fabric drawers



I X8



H 8PCS

I 8PCS

C 16PCS

10

**STEP11**

Pull the cloth into the frame.

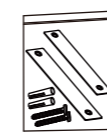
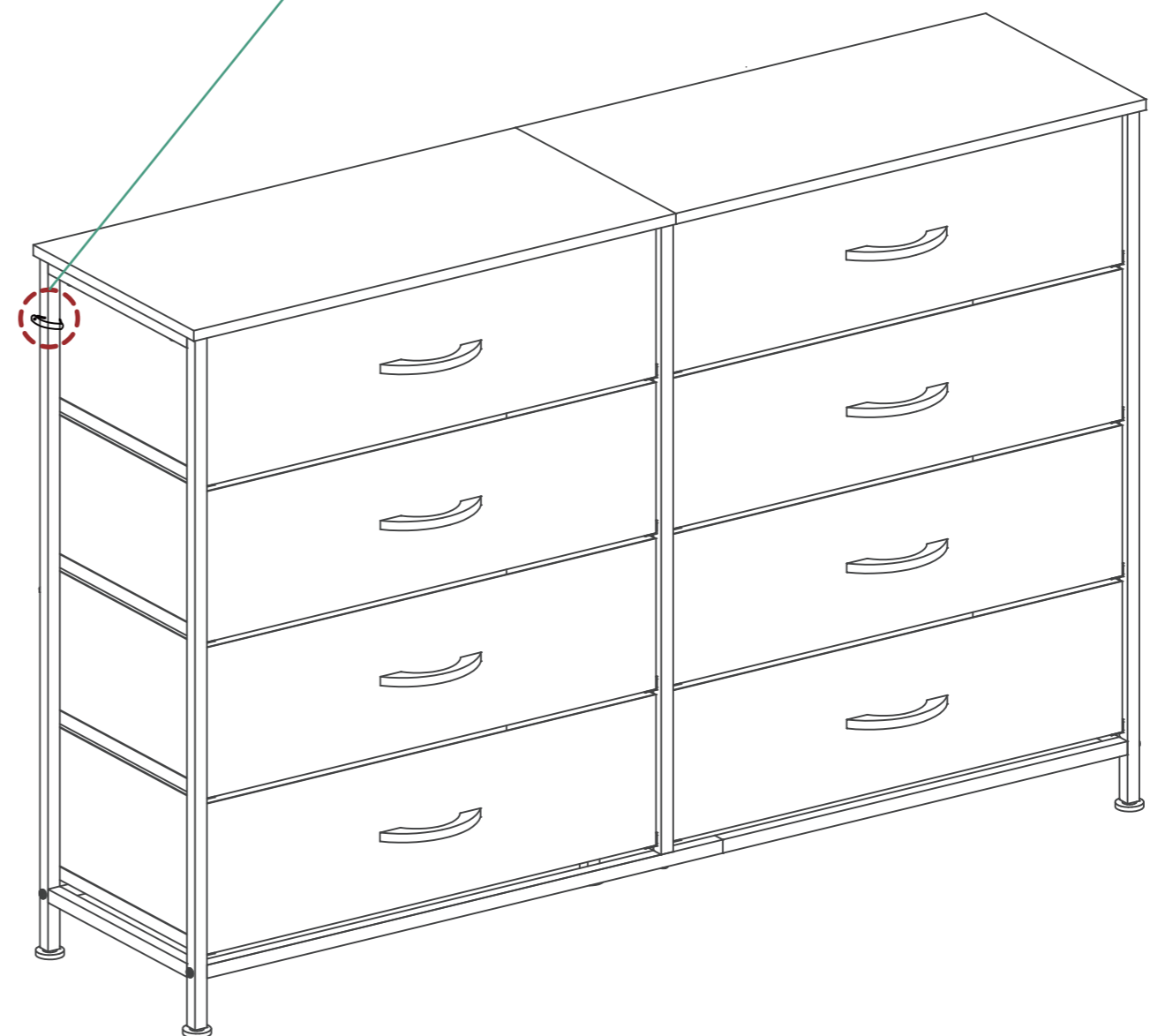
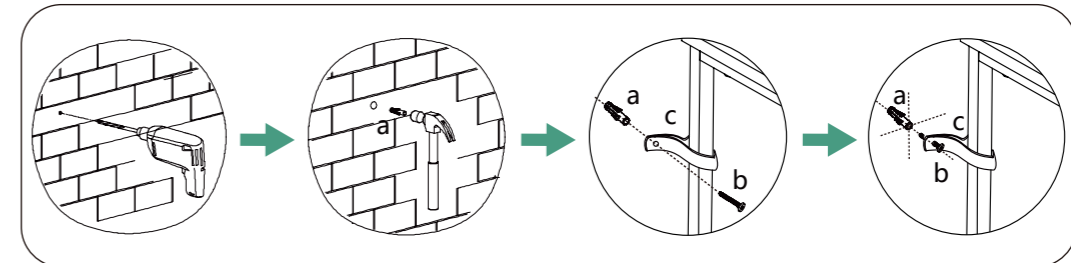
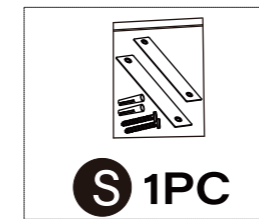
**STEP12**

For safety purposes, it is advised to install the anti-tipping kit for better stability

Use a power drill to make a 5~6mm hole in the wall.

Use philips head screwdriver or stubby screwdriver, screw the plastic anchors into the holes until they are flush to the wall.

Fix a,b,c together, insert 1 screw into the drywall anchor, tilt your philips head screwdriver, and then lock to the wall, but do not over tighten.

**S 1PC**

Problems You May Encounter

| PROBLEMS | SOLUTIONS |
|--|--|
| Non-human caused damage during usage. | Please Keep the product and send us photos of it. We will ascertain the cause of the product damage within 48 hours and provide a satisfactory solution. |
| Mismatch of screw hole positions between components. | <ol style="list-style-type: none">1. Please tighten the screws on the board by 70%, do not tighten completely.2. Adjust the direction of the component to check that the wrong hole position has not been selected. |
| Product is unstable after being assembled. | <ol style="list-style-type: none">1. Check if the screws are tightened.2. Read through out the manual, check are there any parts installed incorrectly or missing assembled. |
| Any missing or damaged components. | To solve the problem. We are committed to providing you with Free component shipping and replacement |