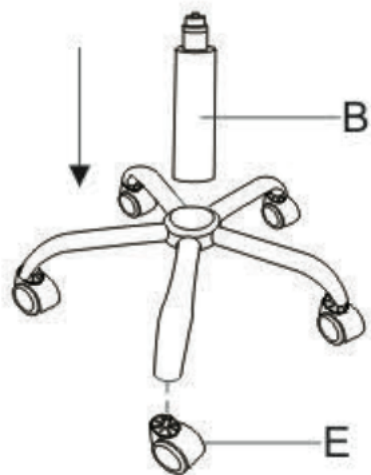


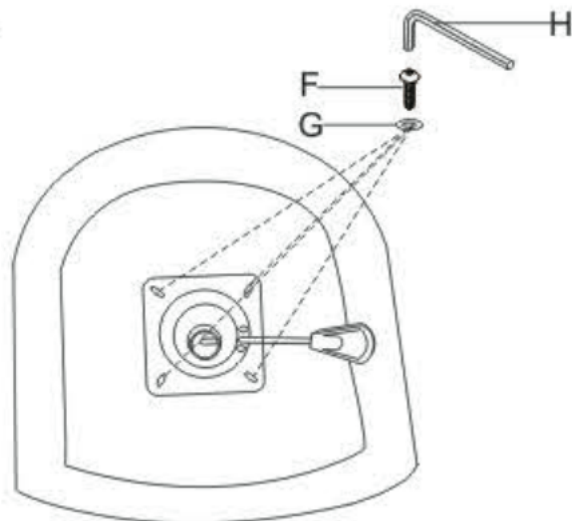
ASSEMBLY INSTRUCTION

ASSEMBLY PROGRAM

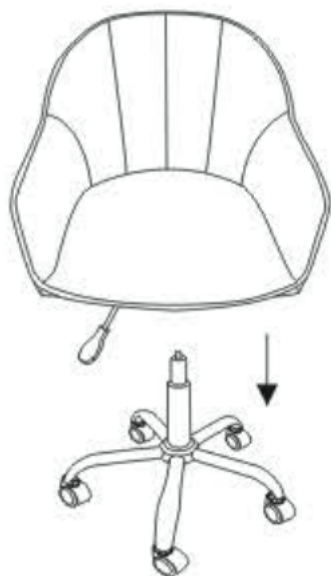
1



2



3



4



▽ PARTS x QTY

Ax1



Ex5



Bx1



Fx4



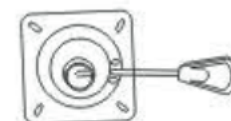
Cx1



Gx4



Dx1



Hx1

