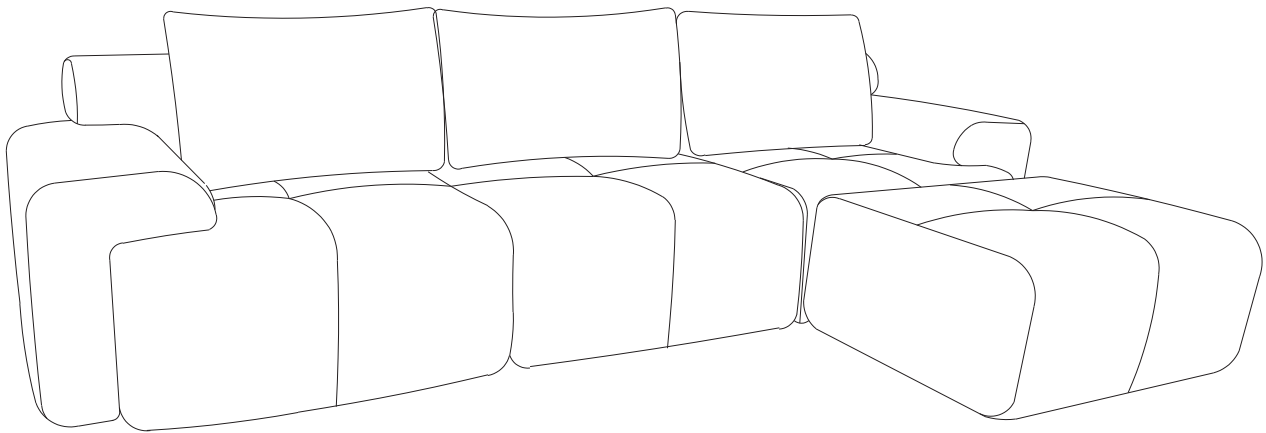


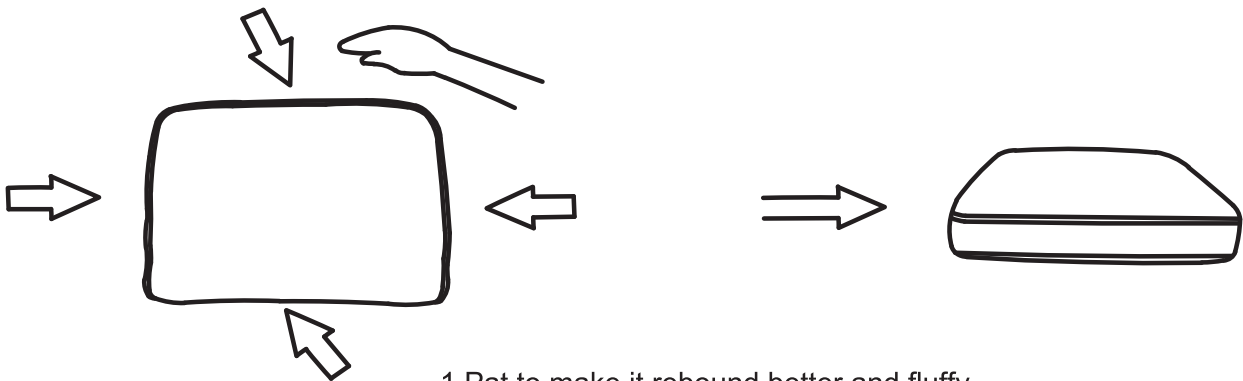
# ASSEMBLY INSTRUCTIONS



W2959P321212/W2959P321206/W2959P321208/W2959P321210  
W2959P321211/W2959P321204/W2959P321207/W2959P321209

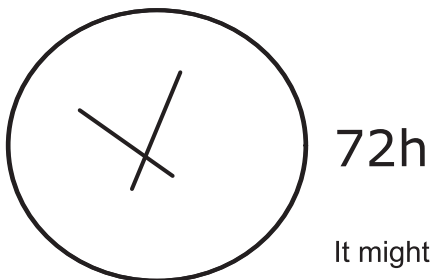
# TIPS:

1. The sectional sofa comes in 2 separate boxes, might be delivered at different times. Please wait several days patiently.
2. Due to differences of light effects, the actual color of the materials might be slightly different from the pictures.
3. No Assembly Required. This sofa can free of your stereotyped nightmare of furniture assembly.
4. Due to package compression for better shipment, the fabric may have wrinkles.
5. Please take all packages out and pat every part to make it rebound better and fluffy, so that it can restore to picture-like status.
6. Please keep children away from the plastic bags.



1. Pat to make it rebound better and fluffy.

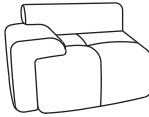
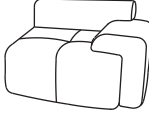
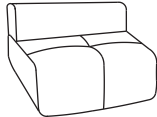
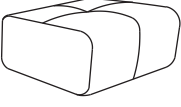
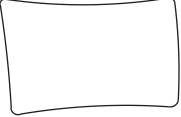
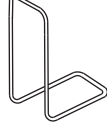
2. Knead your cushion like giving your cushion a massage while allowing the air to flow through the foam.



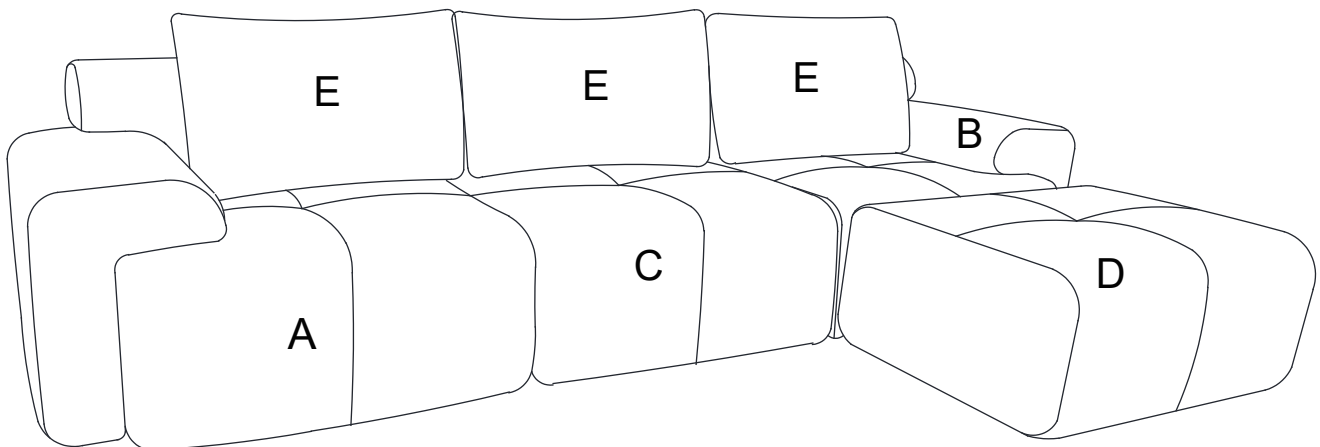
72h

It might takes up to 72 hours.

# PART LIST:

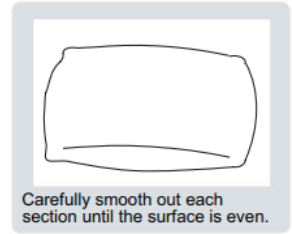
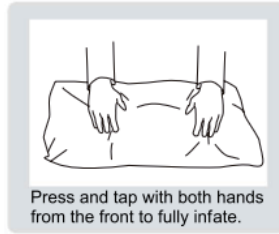
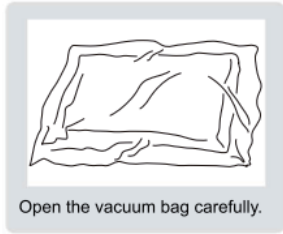
NO	DESCRIPTION	SKETCH	QTY	
A	Left Seat		1PC	W2959P321212 W2959P321206 W2959P321208 W2959P321210 A x 1 B x 1 E x 2 F x 2
B	Right Seat		1PC	
C	SINGLE SEAT FRAME		1PC	
D	FOOTSTOOL FRAME		1PC	W2959P321211 W2959P321204 W2959P321207 W2959P321209 C x 1 D x 1 E x 1 F x 1
E	PILLOW		3PCS	
F	METAL FRAME		3PCS	

## DIAGRAM 1



## DIAGRAM 2

Open the vacuum bag and take the cushions(A/B/C/D/E), pillows(E) out.  
To restore the original shape, follow the steps bellow.



After packing up, place them in somewhere dry and venslated. After about 72-96 hours. It can be restored to the best use condition.

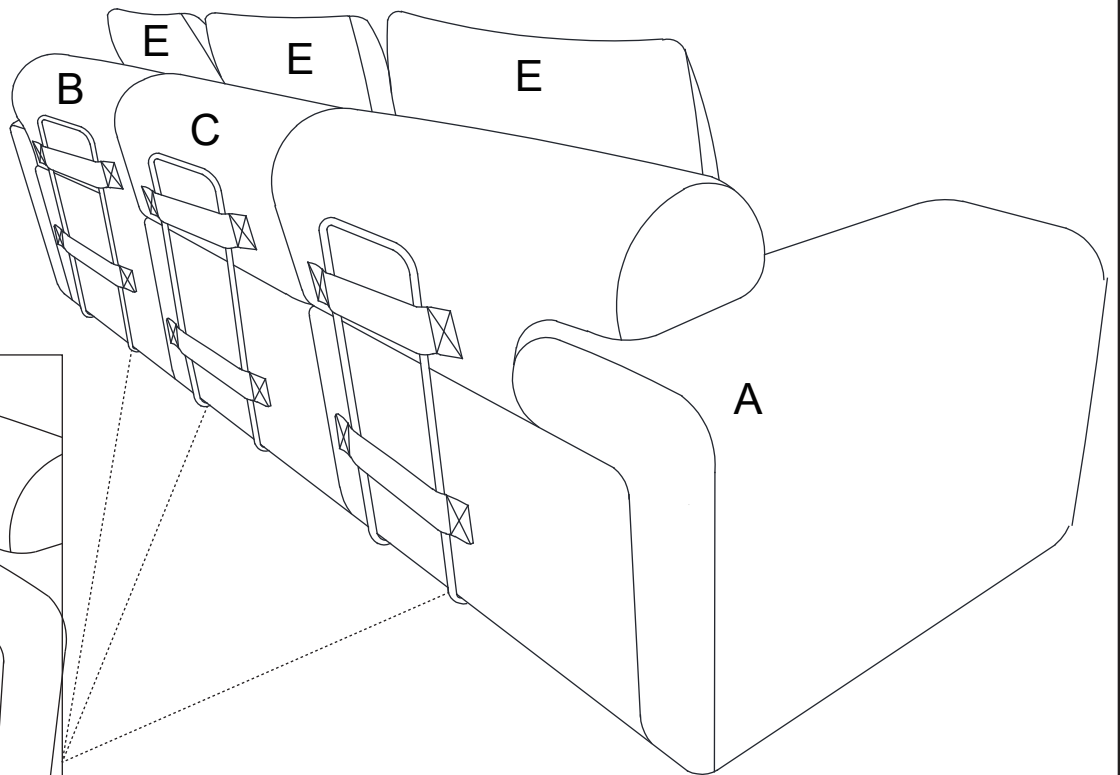
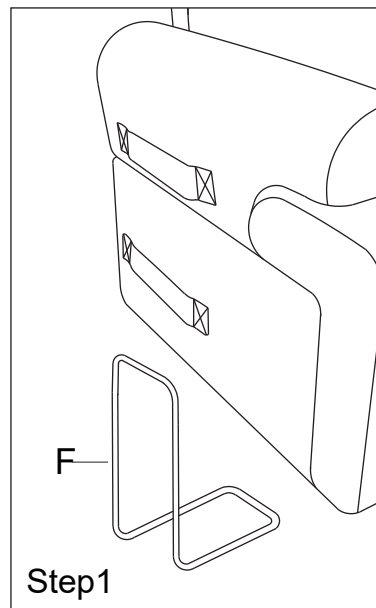
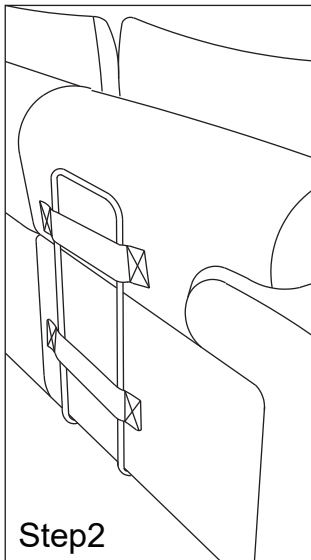


DIAGRAM 2

