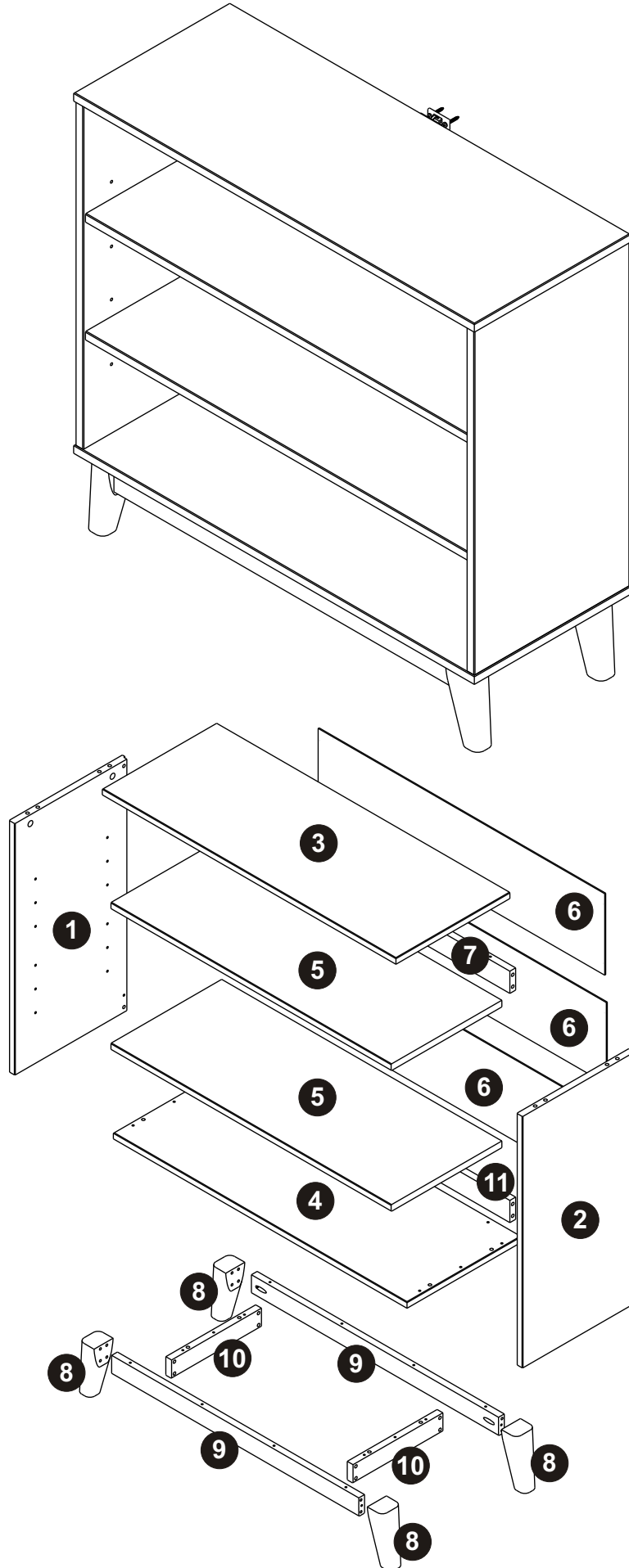
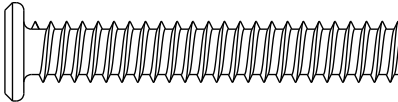
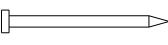
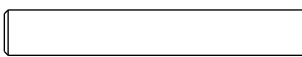
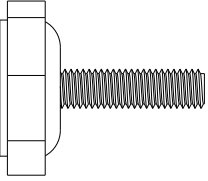
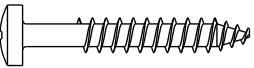
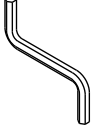
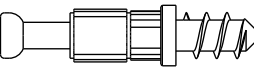
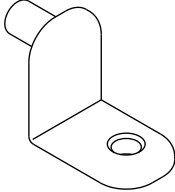

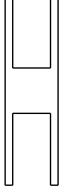



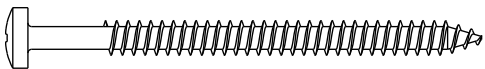



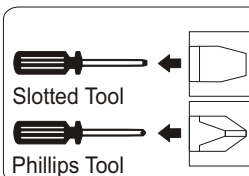
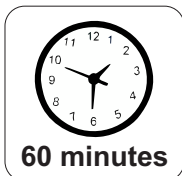
ASSEMBLY INSTRUCTIONS UNDER WINDOW BOOKCASE



A	 Ø7x50mm	08	J	 8x8mm	24
B	 Ø6x40mm	08	K	 27x23mm	04
C	 Ø4x30mm	04	L		01
D	 Ø5x12mm	08	M		08
E	 Ø15x11mm	08	N		02
F	 Ø8x30mm	16	O		01
G	 Ø4x40mm	10			
H	 Ø4,5x60mm	18			
I	 Ø3,5x14mm	08			

REPLACEMENT PARTS

Please do not contact the company purchased from as we can help you faster. Order replacement parts and hardware at "www.boltonfurniture.com".

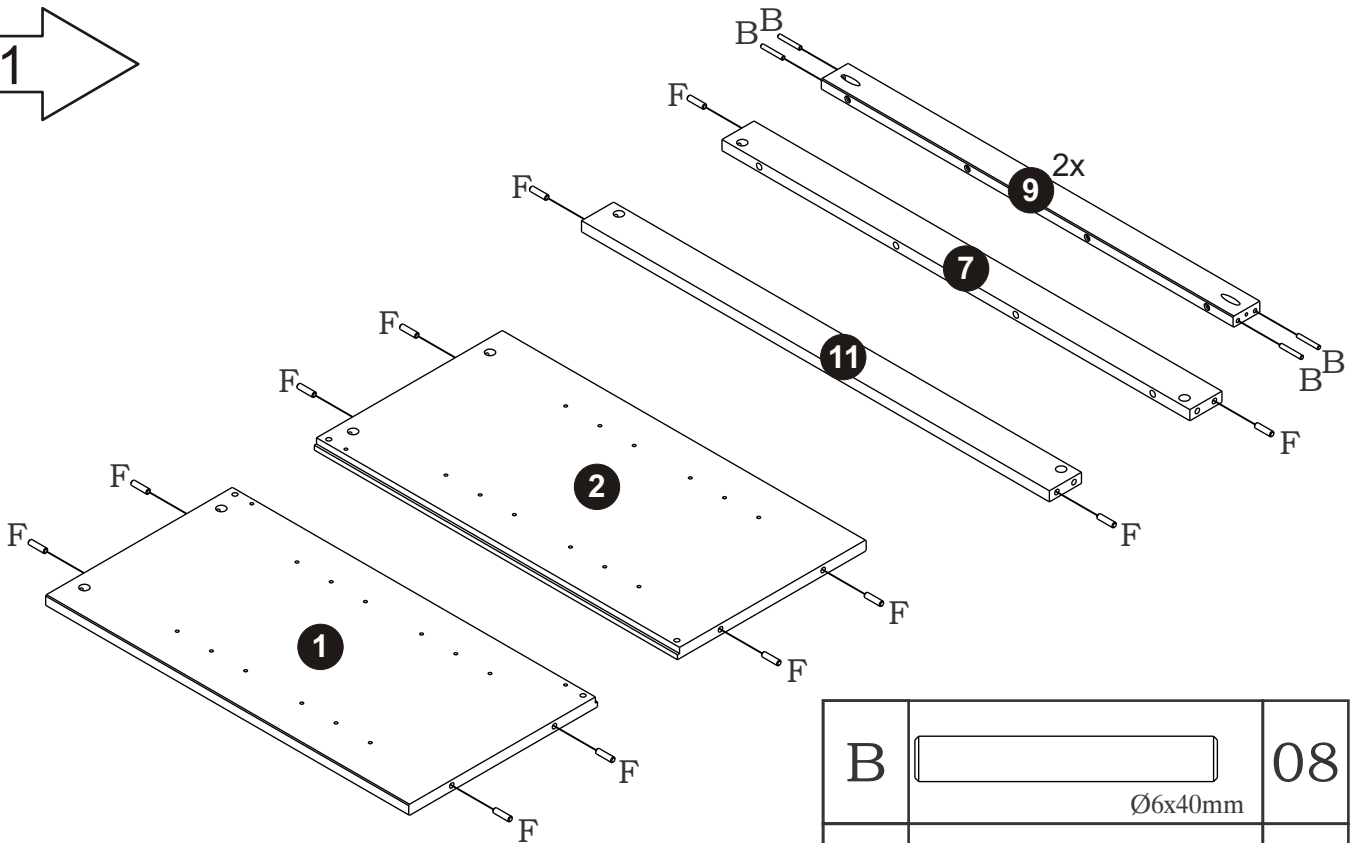


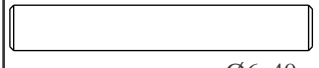
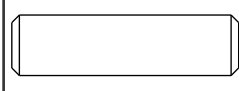
Tools Required



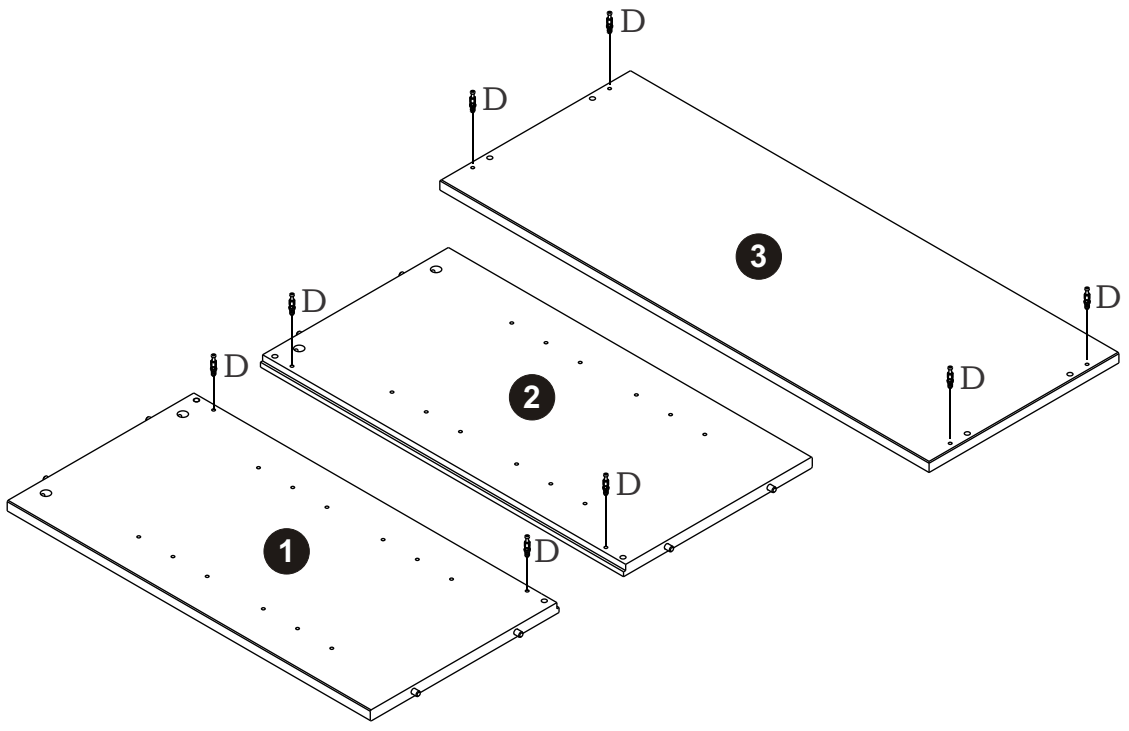
Hammer
* These tools are not supplied by the manufacturer

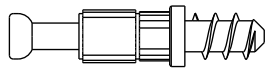
01



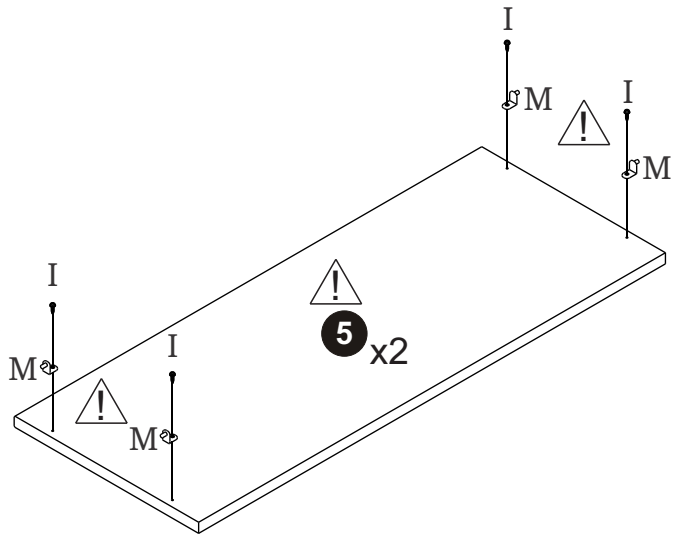
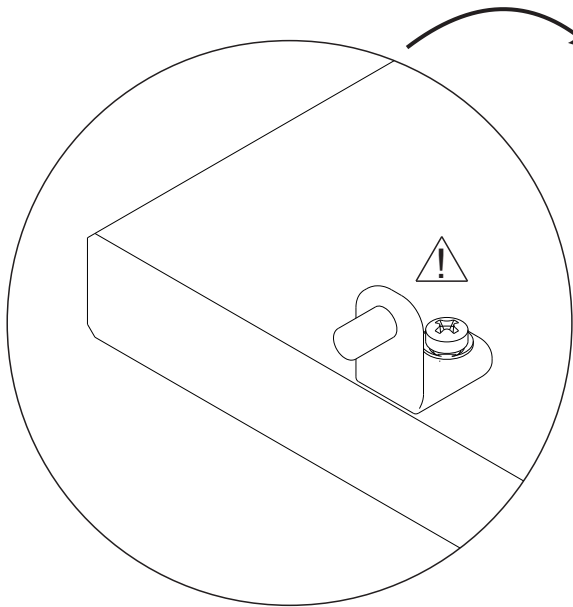
B		08
Ø6x40mm		
F		12
Ø8x30mm		

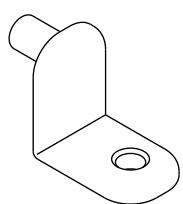
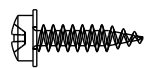
02



D		08
Ø5x12mm		

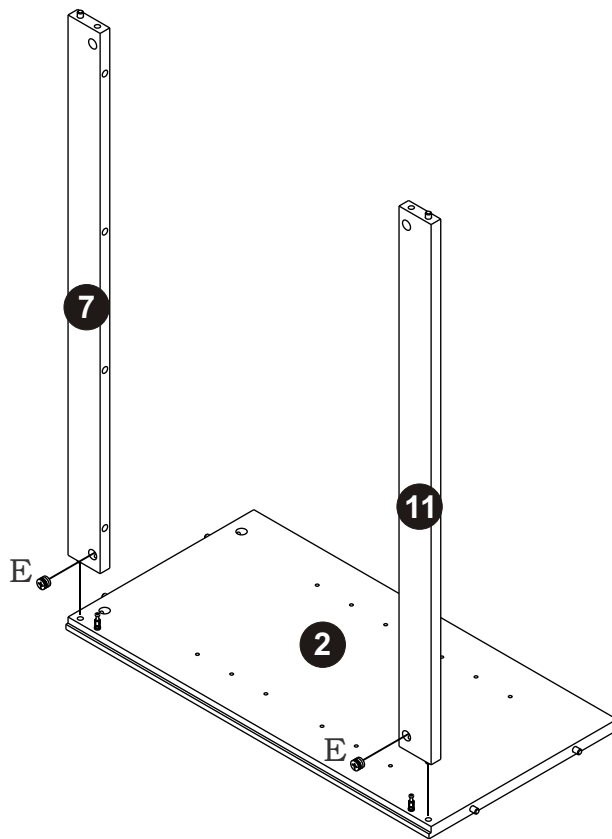
03




M		08
I		08

Ø3,5x14mm

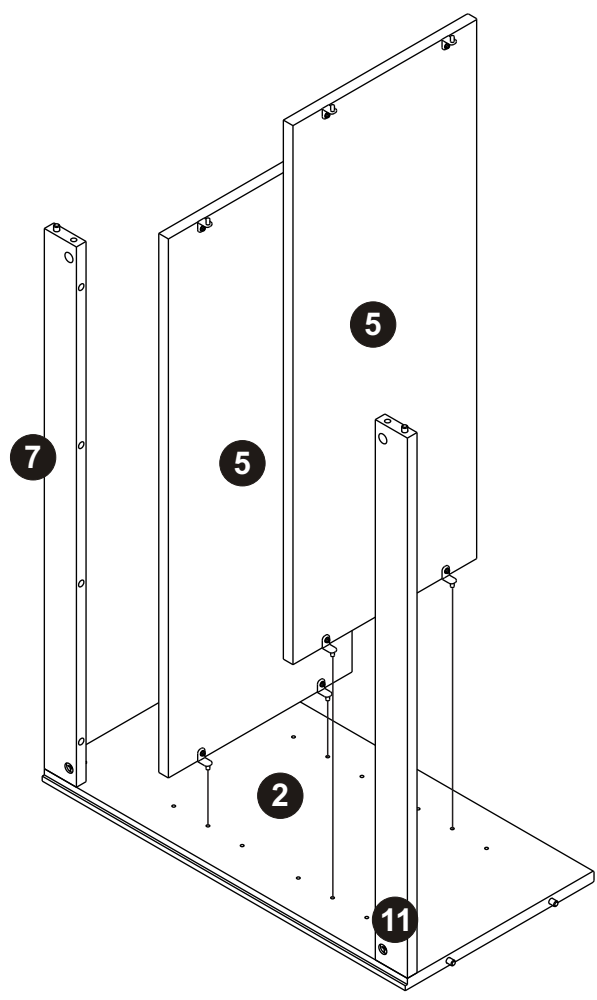
04



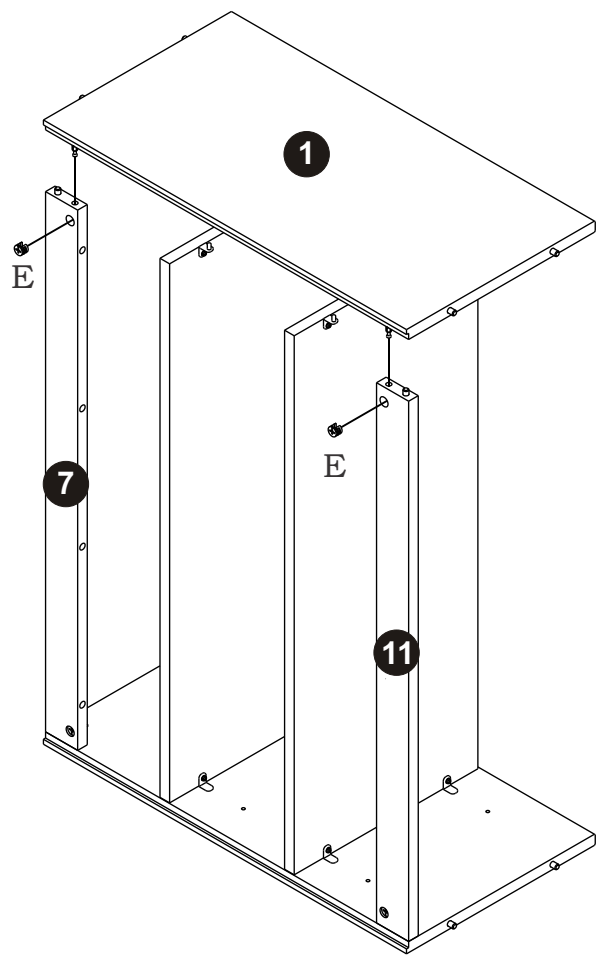
E		02
---	---	----

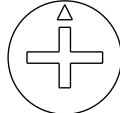
Ø15x11mm

05

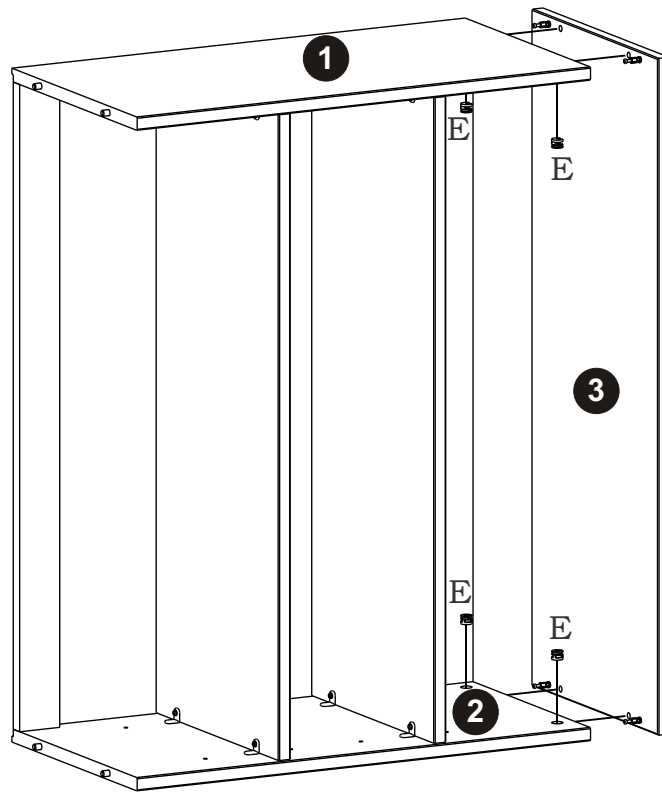



06



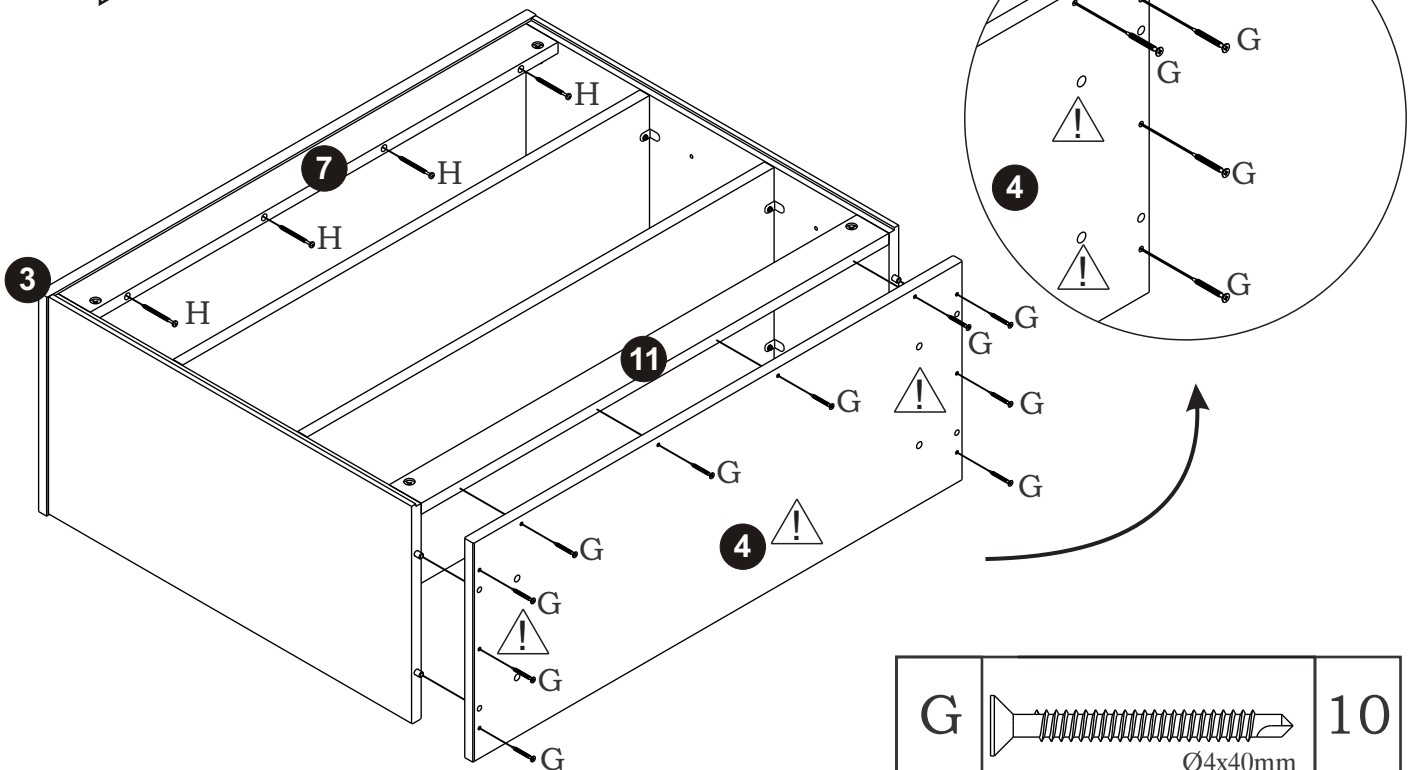
E	 Ø15x11mm	02
---	---	----

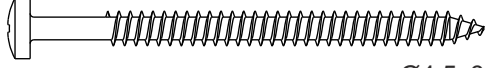
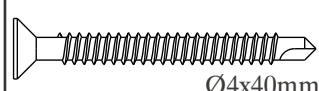
07



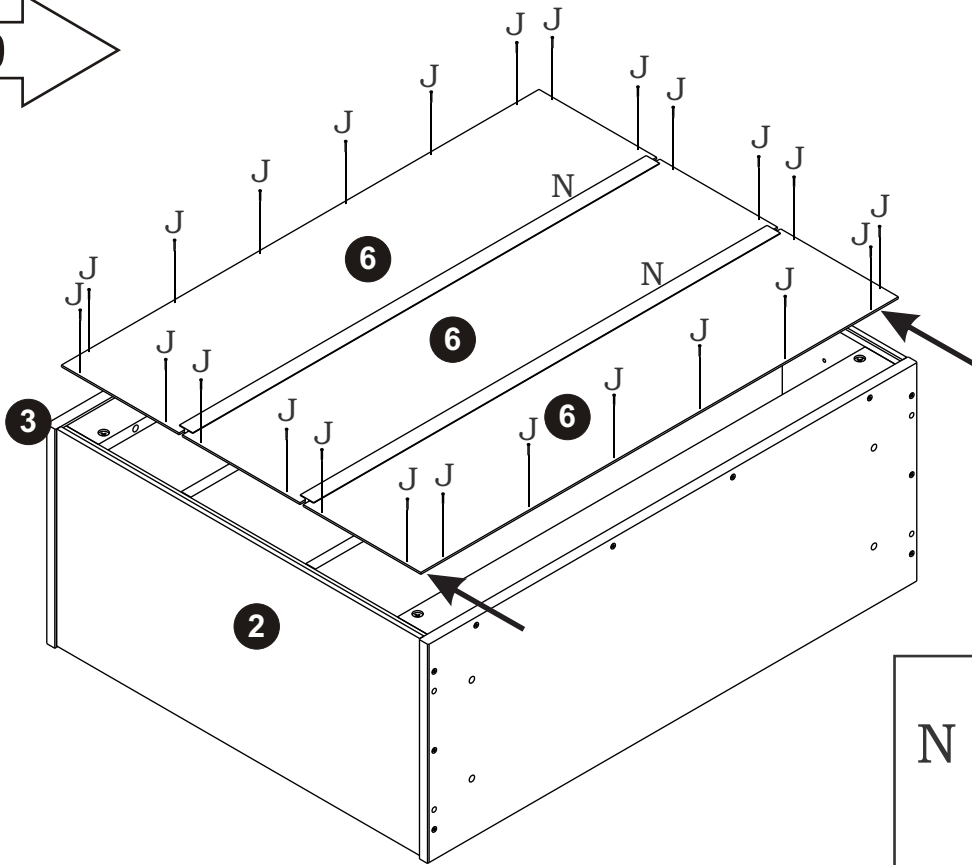
E	 Ø15x11mm	04
---	--	----

08



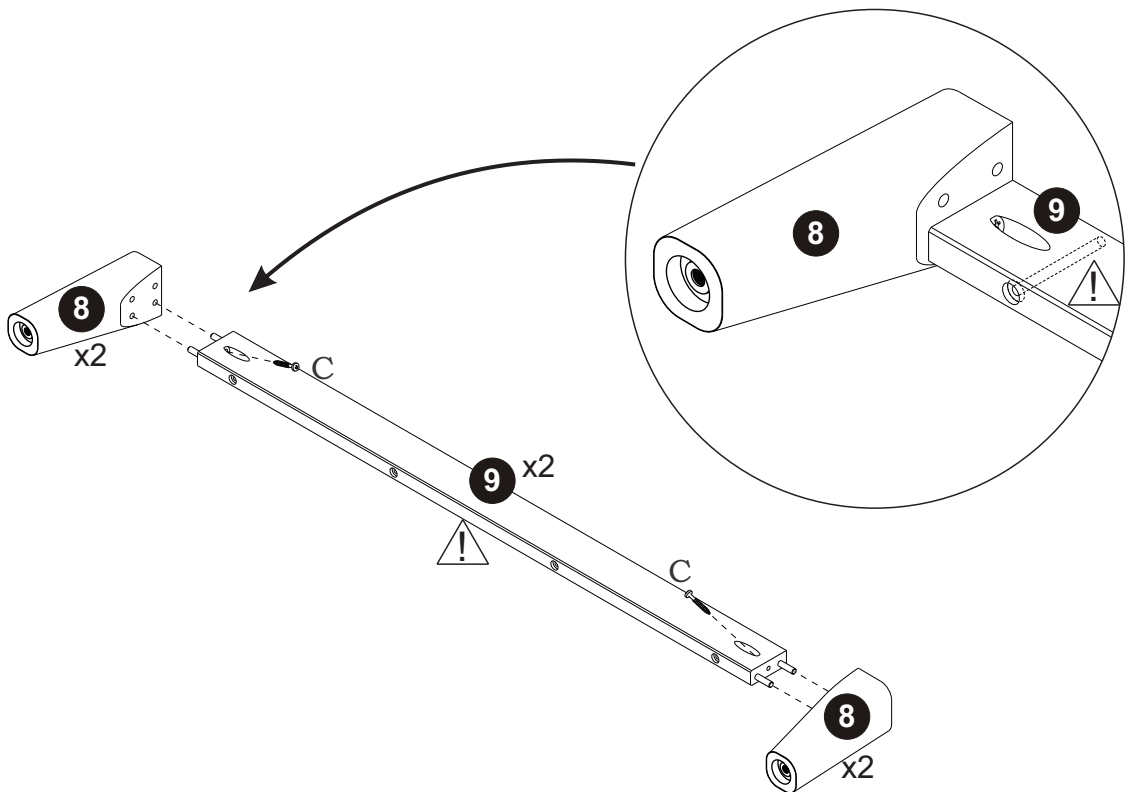
H	 Ø4,5x60mm	04
G	 Ø4x40mm	10

09



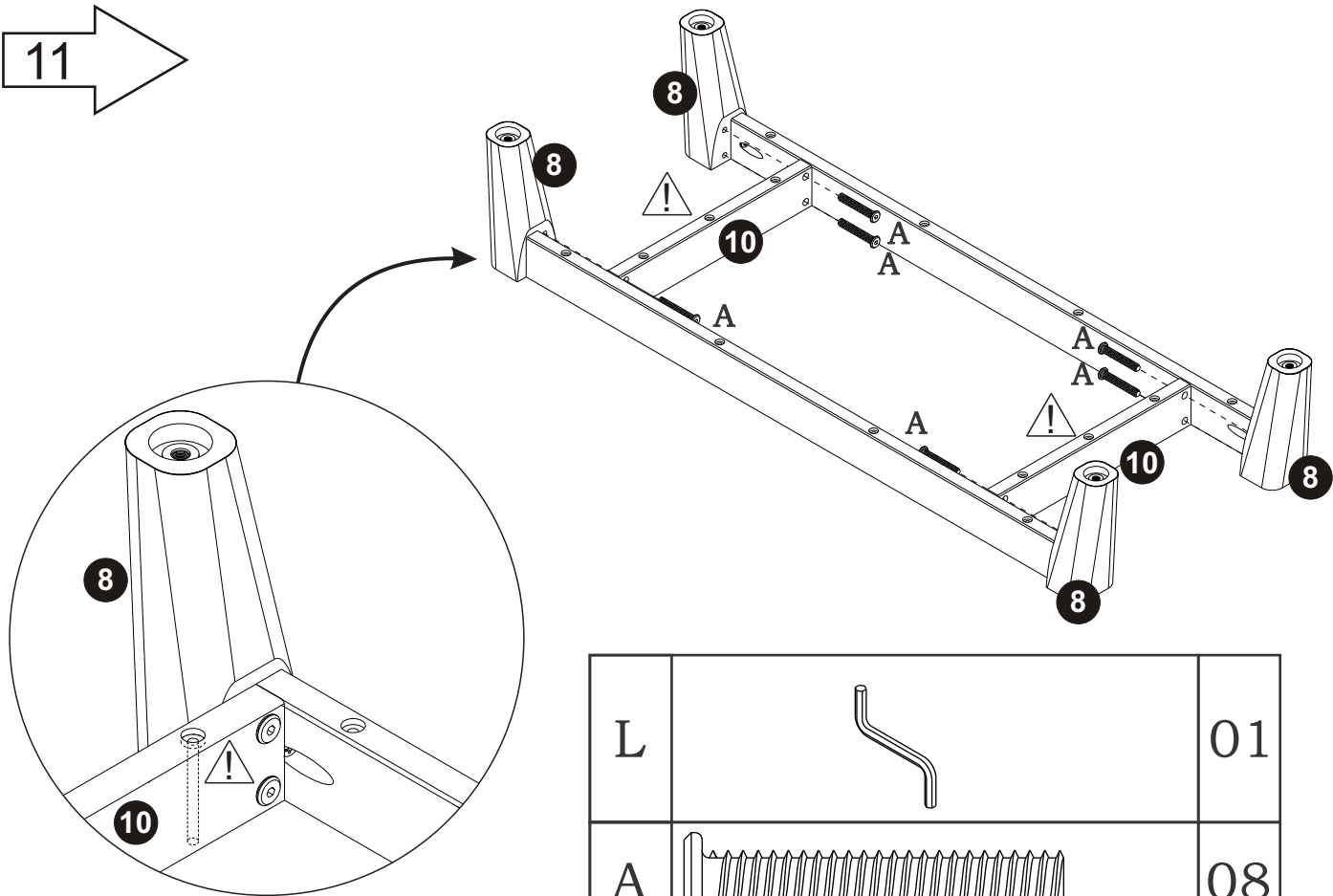
N		02
J		24

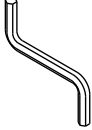
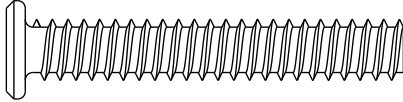
10



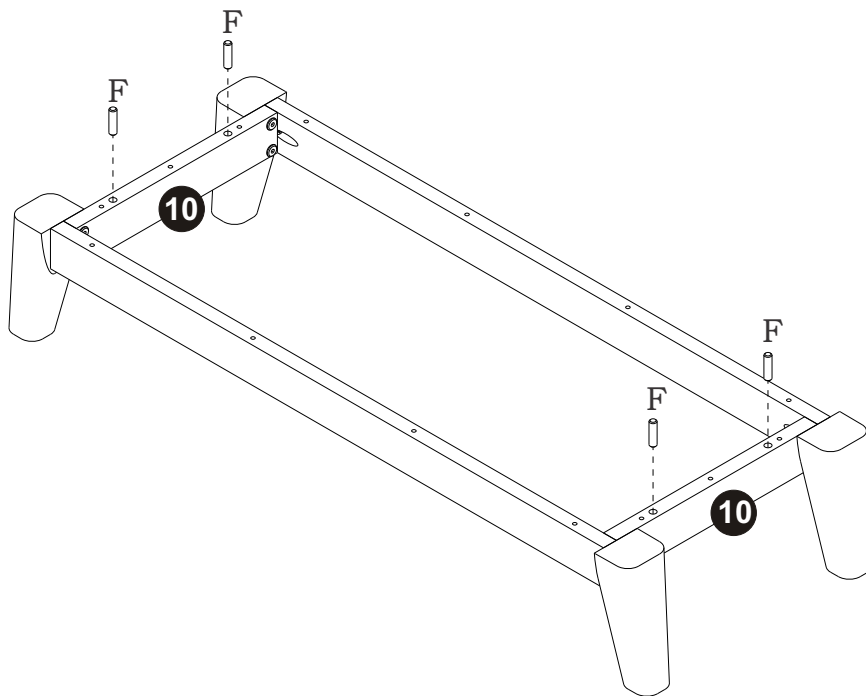
C		04
---	--	----

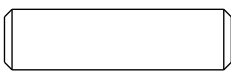
11



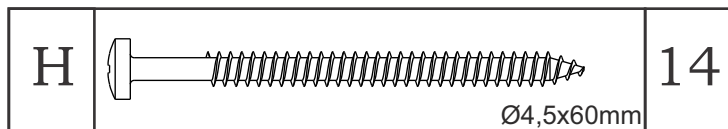
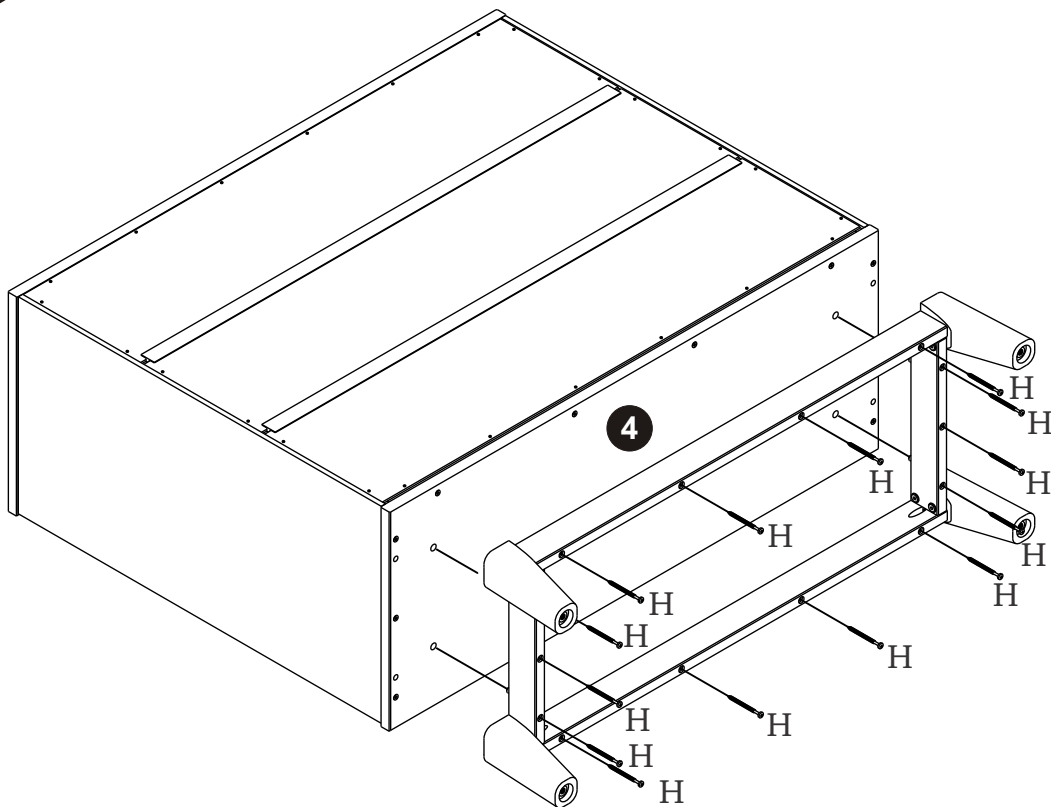
L		01
A	 $\text{Ø}7 \times 50 \text{mm}$	08

12

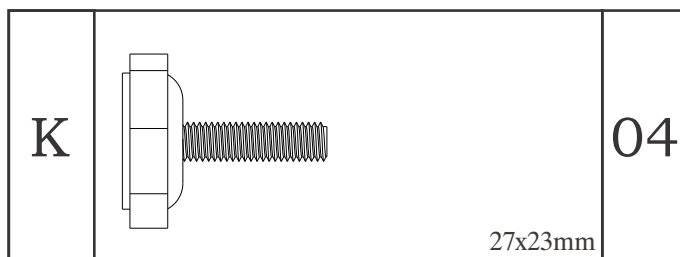
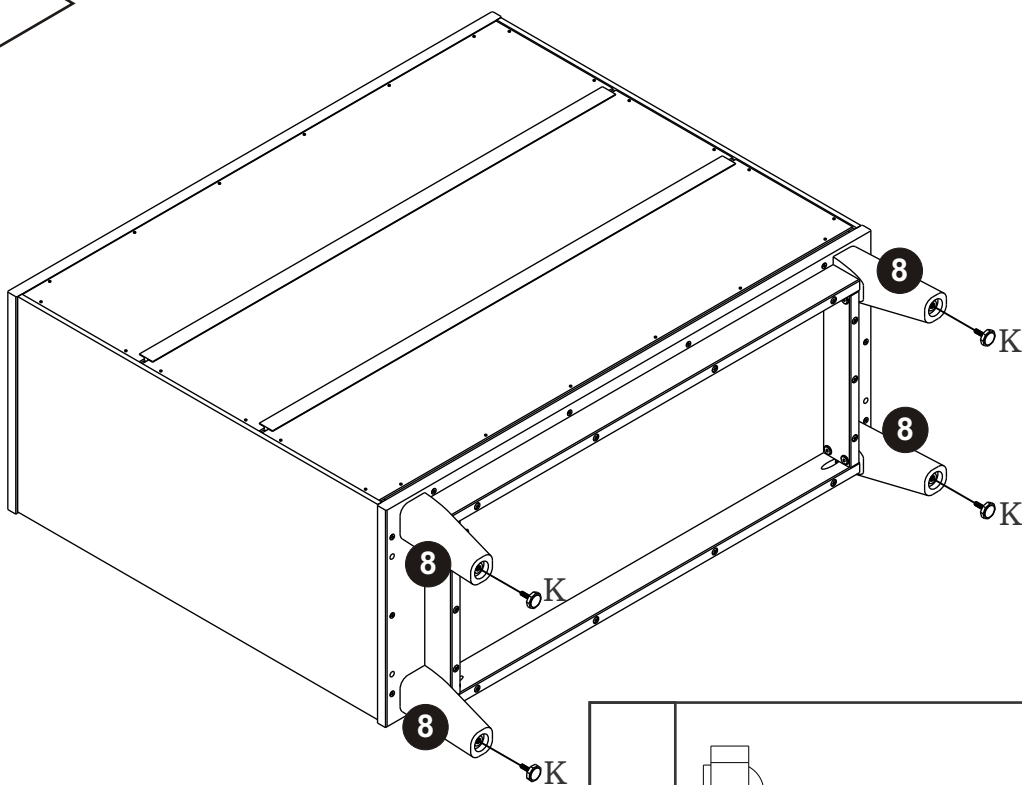


F		04
$\text{Ø}8 \times 30 \text{mm}$		

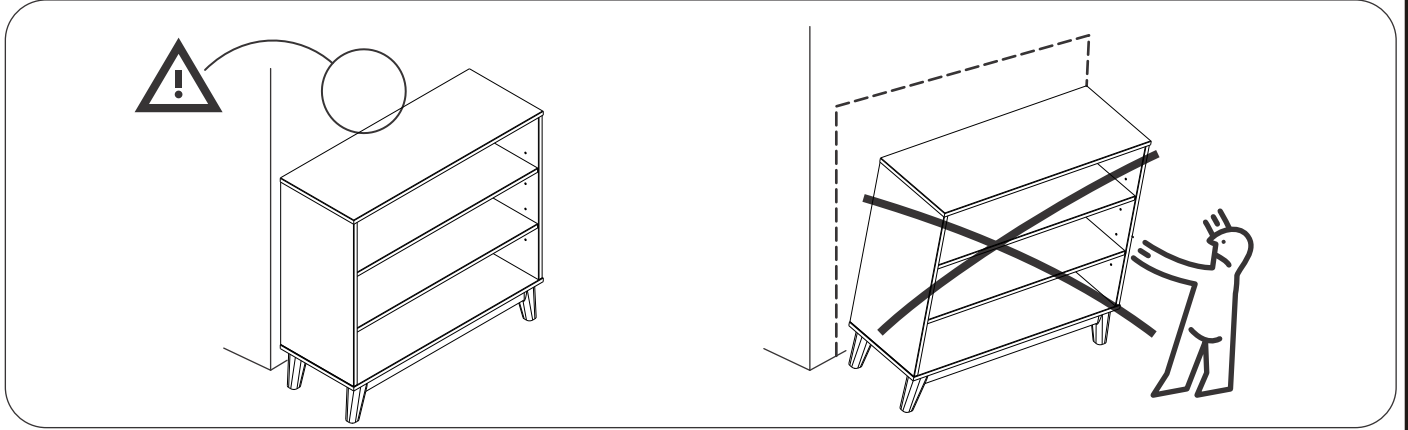
13



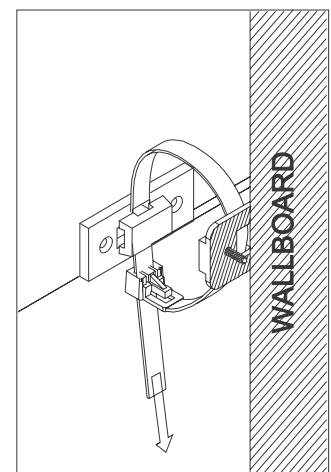
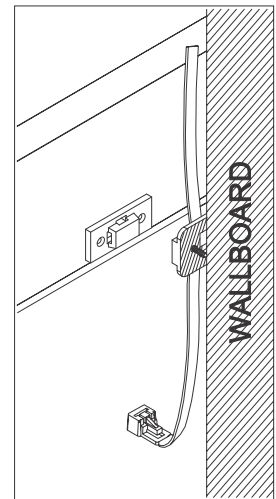
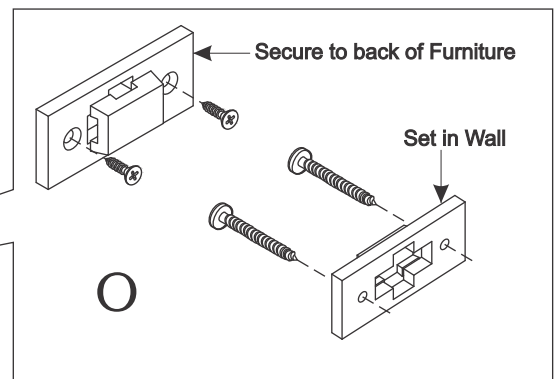
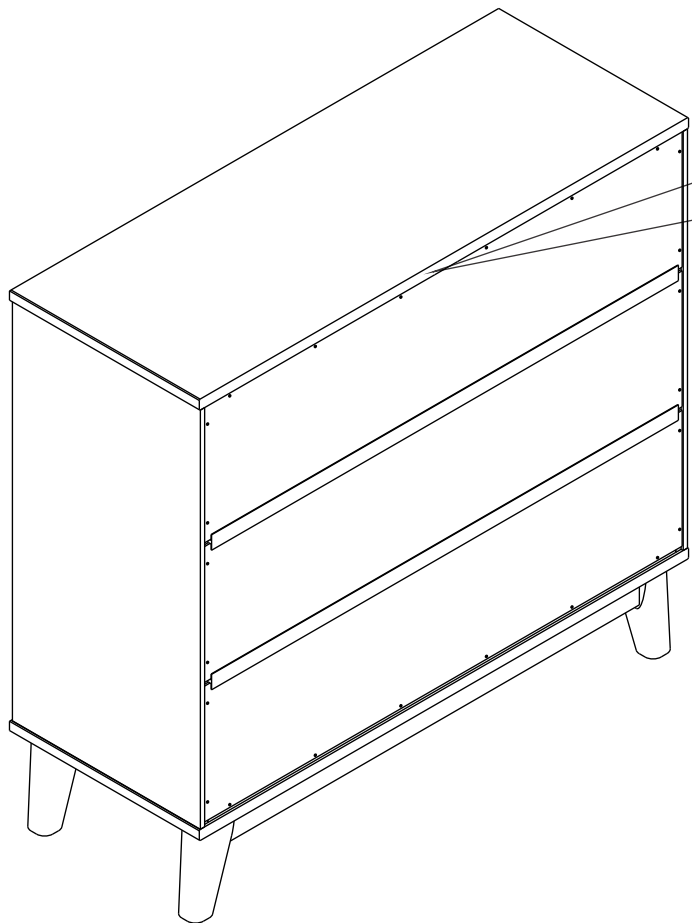
14




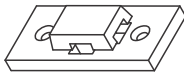


15



Secure to Stud behind Wallboard.



Secure to Stud behind Wallboard!

O	Hardware of WallBoard			
	 Ø4x30mm	02		02
	 Ø4x16mm	02		01