

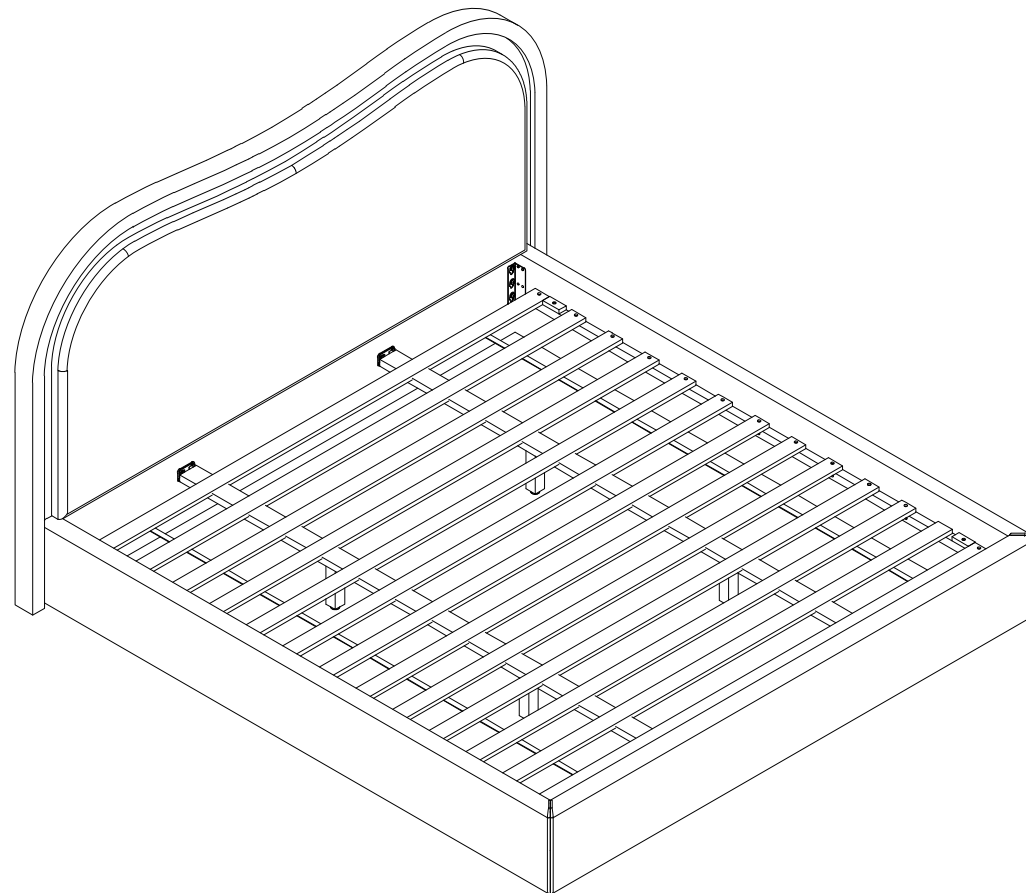
MOE'S

home collection

ASSEMBLY INSTRUCTIONS.


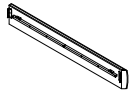
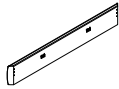
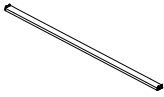

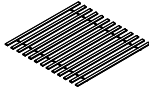
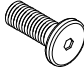



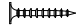

CAMILLA KING BED CHESTNUT

FO-1038-03-0

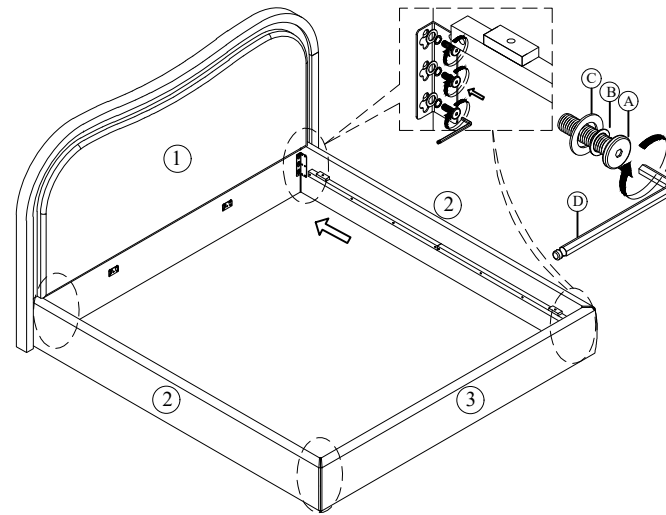


THANK YOU FOR YOUR PURCHASE!

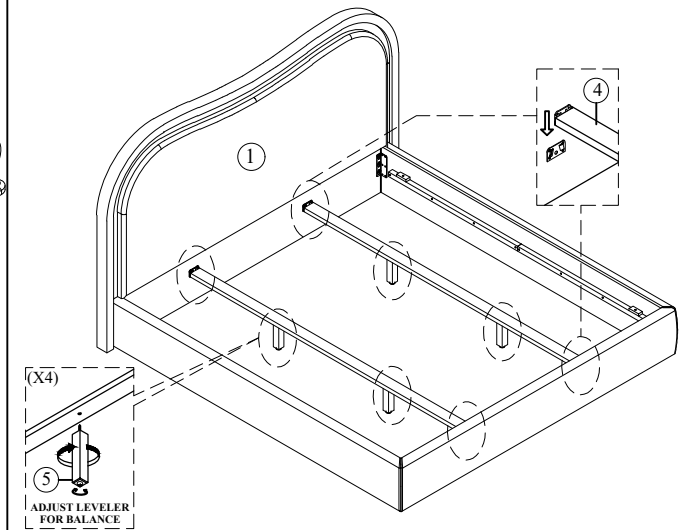
PARTS AND HARDWARE

1. HEADBOARD x1 	2. SIZE RAIL x2 	3. FOOTBOARD x1 
4. CENTER SUPPORT x2 	5. CENTER LEG x4 	6. SLAT x1 
A-BOLT M8X30 x12 	B.SPING WASHER 8.5 x12 	C.FLAT WASHER 8.5 x12 
D-ALLEN KEY M4 x1 	E-SCREW M4X25 x26 	F- CREWDRIVER (NOT INCLUDED) 

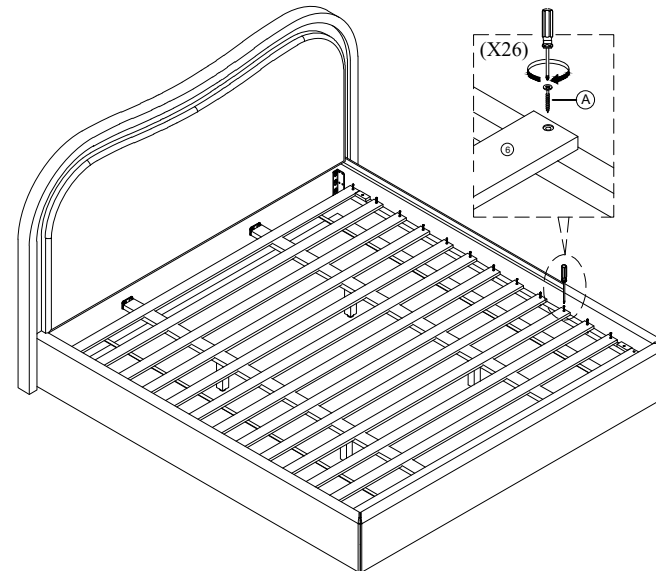
STEP 1.



STEP 2.



STEP 3.



NOTES.

Thank you for purchasing this quality product! Be sure to check all packing material carefully for small part that may have come loose inside the carton during shipping.

CAUTION: The item is heavy, assembly should be performed by two people.