

Lamp installation

INSTALLATION SHEET

START FROM HERE

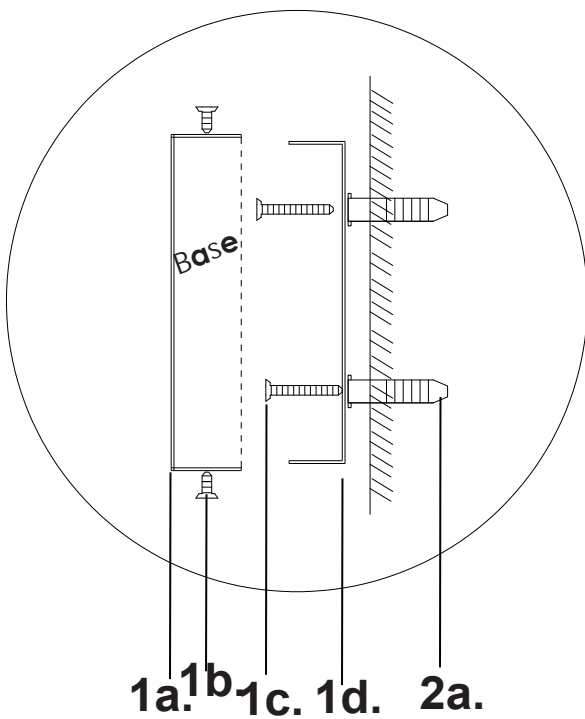
- Make sure power is completely off at the fuse box.
- Have your fixture installed by a qualified licensed electrician
- Prepare everything in a clear area.
- Wear gloves at all times during this installation.
- Read instructions carefully before you start assembly.
- Keep this instruction sheet for future reference.

Please Note:

- This product uses E26light source .
- Unless otherwise indicated, do not touch any part of E26 unnecessary contact with the module could cause permanent damage.
- For dimming, an ELV (Electronic Low Voltage) type of dimmer is required.

NOTE :this product just one hanging plate connect to the power box,so you need get the hanging plate from the base before you install it . For your safe ,The installation must ensure that the line is powered off.

Lamp installation



1a. 1b. 1c. 1d. 2a.

installation steps

1. Fix (2a) to the wall .
2. Fix (1d) with (1c) screw.
3. Connect the base with (1d) and fix it with (1b) .
4. Fix the lampshade tightly with the lamp holder ring.
5. Equipped with E26 light source. (Not included)
6. Congratulations, you have completed the installation and can be powered on

