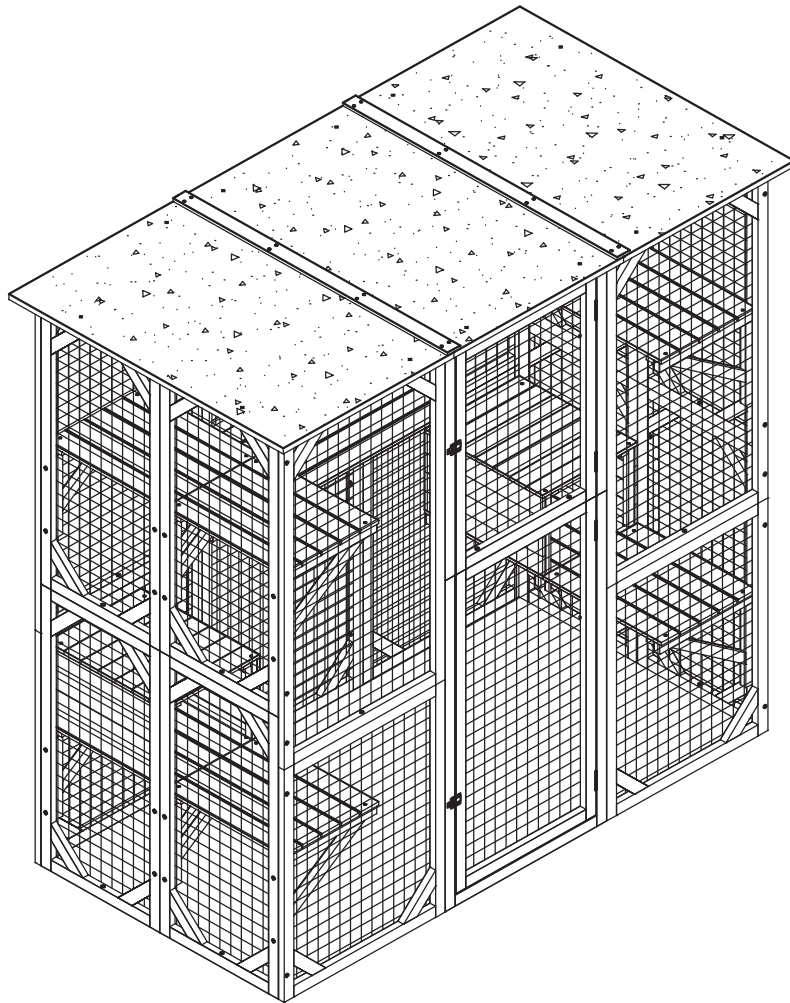


INSTRUCTION MANUAL





NOTICE

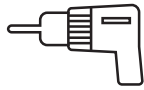
Please retain these instructions for future

- Firmly secure all bolts, screws and knobs before use.
- Reconfirm that all bolts, screws, and knobs are secure every 90 days.
- Fasten screws loosely during initial assembly. Do not fully tighten screws until the item is completely assembled.
- Do not use or store this item in the proximity of open flame or flammable/combustible chemicals.
- Be aware that some parts are heavy and have sharp edges.
- Be aware that moving parts can injure, crush and cut.
- If any parts are missing, broken, damaged, or worn, stop using this product until repairs are made and/or factory replacement parts are installed.
- Do not use this item in a way inconsistent with the manufacturer's instructions as this could void the product warranty.

TOOLS REQUIRED



PHILLIPS
SCREWDRIVER



DRILL
(RECOMMENDED)



2PERSON
ASSEMBLY



APPROXIMATELY
60MIN. ASSEMBLY

HARDWARE

M3.5x60mm SCREW
39PCS+1 spare



P1

M3.5x45mm SCREW
56PCS+1 spare



P2

M3.5x35mm SCREW
20PCS+1 spare



P3

M3.5x25mm SCREW
68PCS+1 spare



P4

PARTS

CARTON 1/2

Upper left panels for front and back side
2PCS



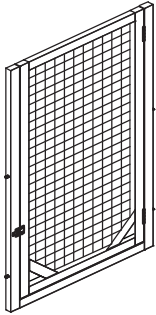
A

Upper right panels for front and back side
2PCS



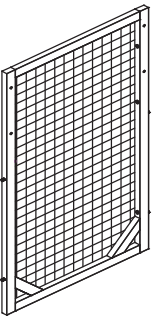
B

Front panel-down & middle
1PC



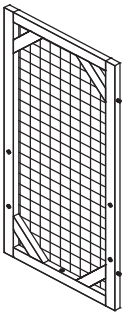
F

Back panel-down & middle
1PC



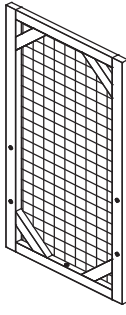
H

Side panels
4PCS



I

Side panels
4PCS



J

Side layers
6PCS



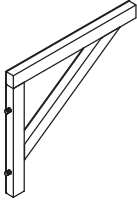
L

Bottom for small house
2PCS



M

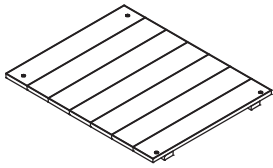
Supporters
18PCS



N

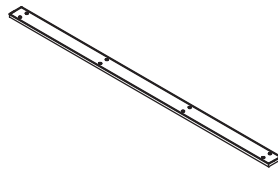
PARTS

Roofs of small house
2PCS



R

Roof Connect Slat
2PCS



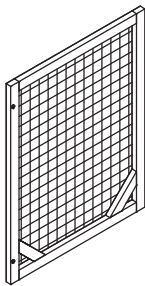
U

Hardware bag



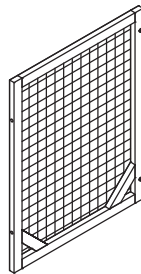
CARTON 2/2

Down left panels for front and
back side
2 PCS



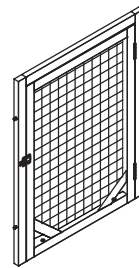
C

Down right panels for front and
back side
2 PCS



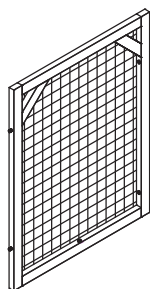
D

Front panel-upper & middle
1 PCS



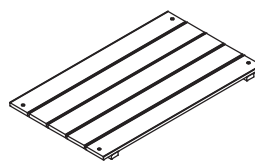
E

Back panel-upper & middle
1 PC



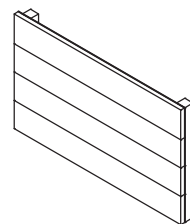
G

Middle layer
1 PC



K

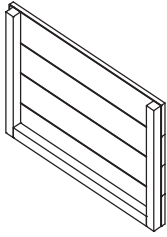
Left panels of small house
2 PCS



O

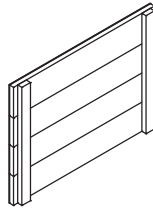
PARTS

Right panels of small house
2 PCS



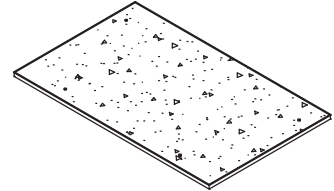
P

Back panels of small house
2 PCS



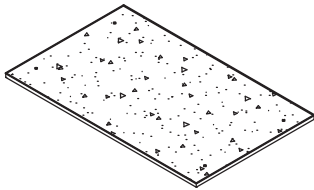
Q

Left and right side roofs
2 PCS



S

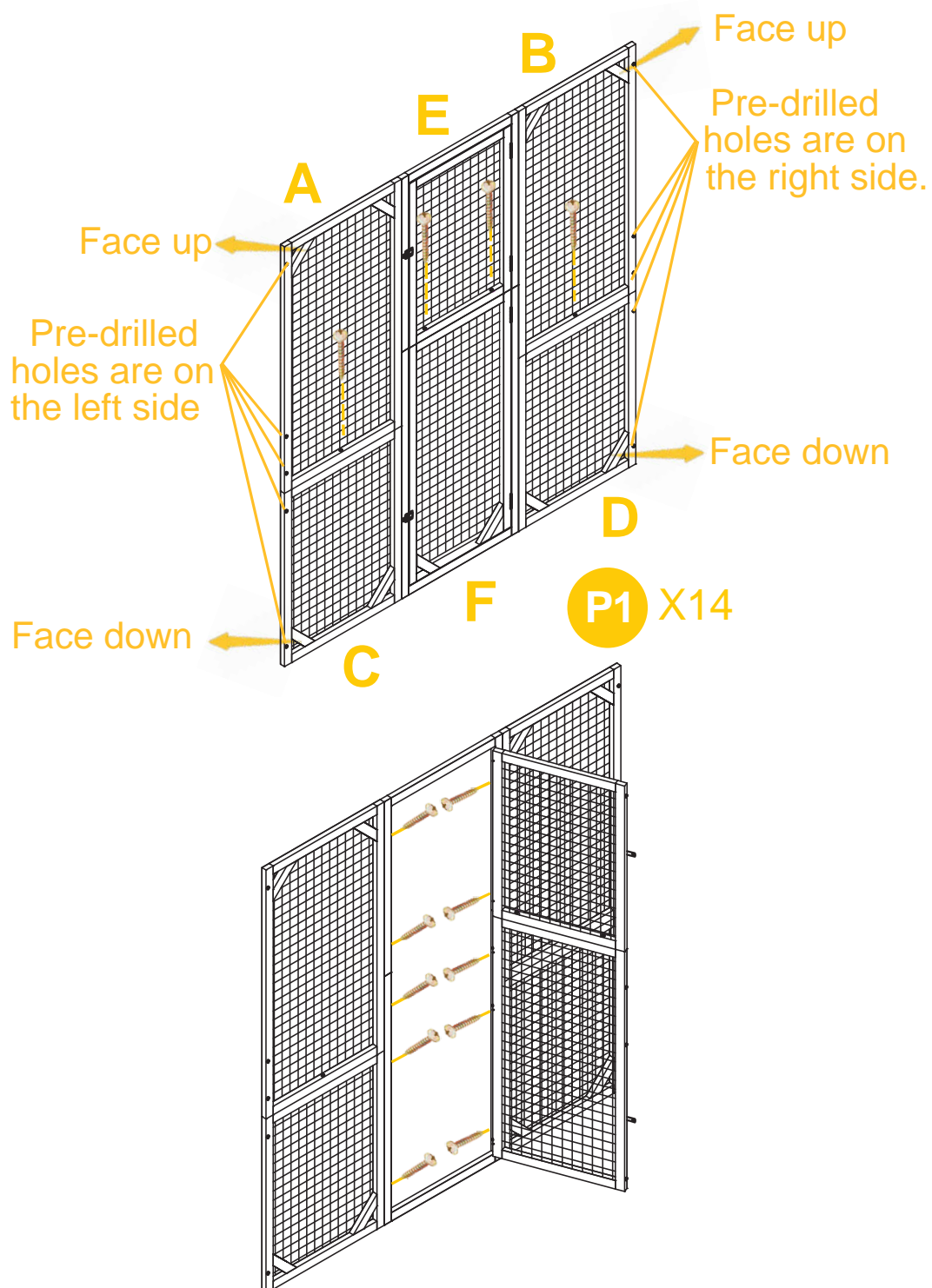
Middle roof
1 PC



T

PRODUCT ASSEMBLY

- 01** Connect the front panel Part A,B,C,D,E,F by 14XP1.
Notice:
- 1.The corner with the bar of Part A & B is facing up.
 - 2.The corner with the bar of Part C & D is facing down.
 - 3.The pre-drilled hole of Part A & C is on the left side.
 - 4.The pre-drilled hole of Part B & D is on the right side.

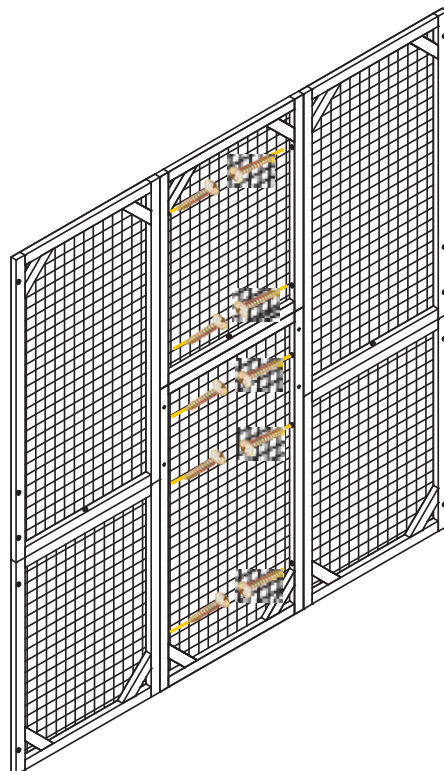
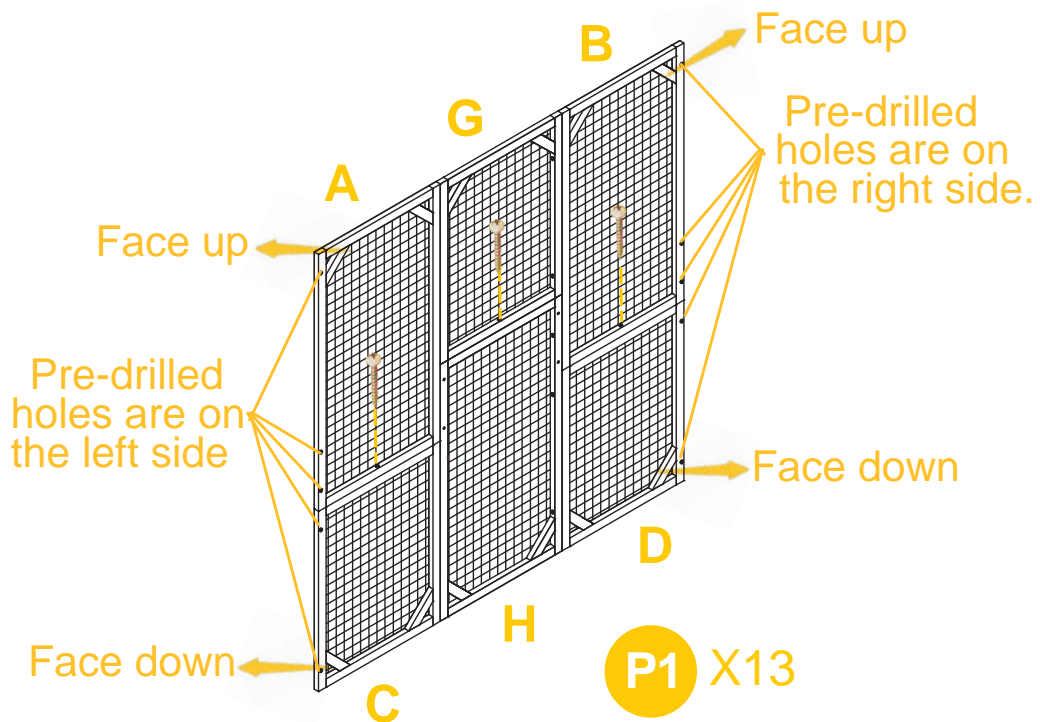


PRODUCT ASSEMBLY

02 Connect the back panel Part A,B,C,D,G,H by 13XP1.

Notice:

- 1.The corner with the bar of Part A & B is facing up.
- 2.The corner with the bar of Part C & D is facing.
- 3.The pre-drilled hole of part A & C is on the left side.
- 4.The pre-drilled hole of part B & D is on the right side.



PRODUCT ASSEMBLY

03

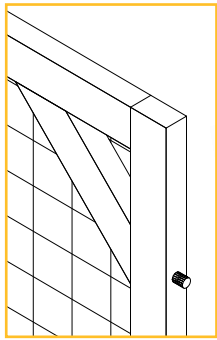
① Connect the side panel Part I & J by 6XP1.

② Repeat the same way for the other side.

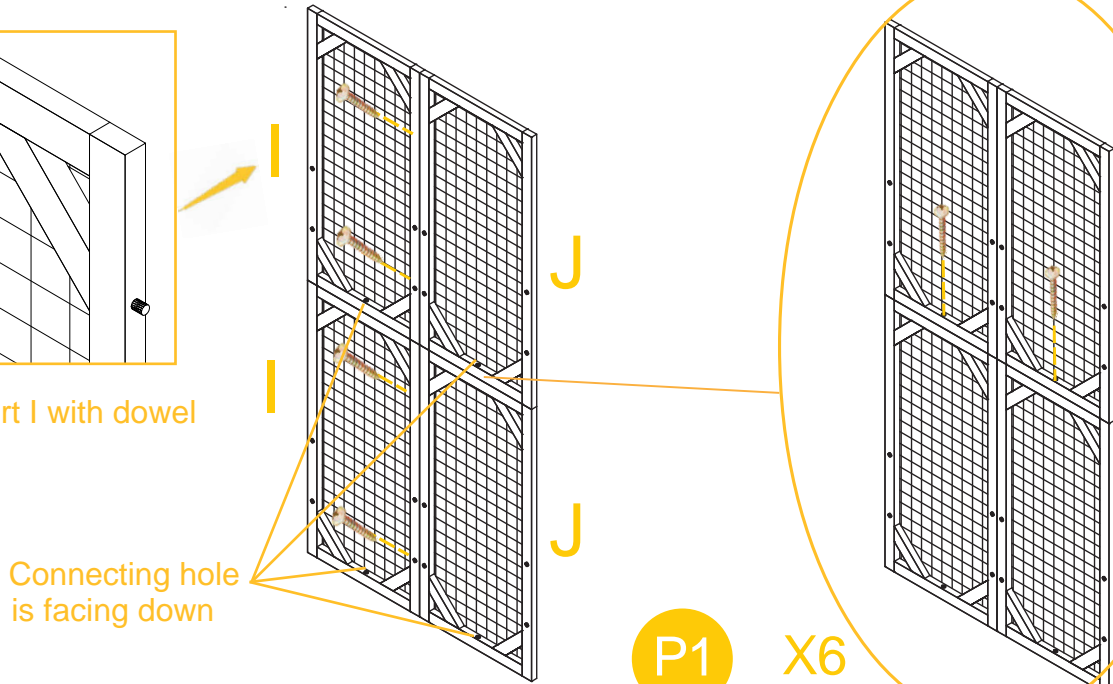
Notice:

1. Part I is with wooden dowel.

2. Connecting hole is facing down.



Part I with dowel

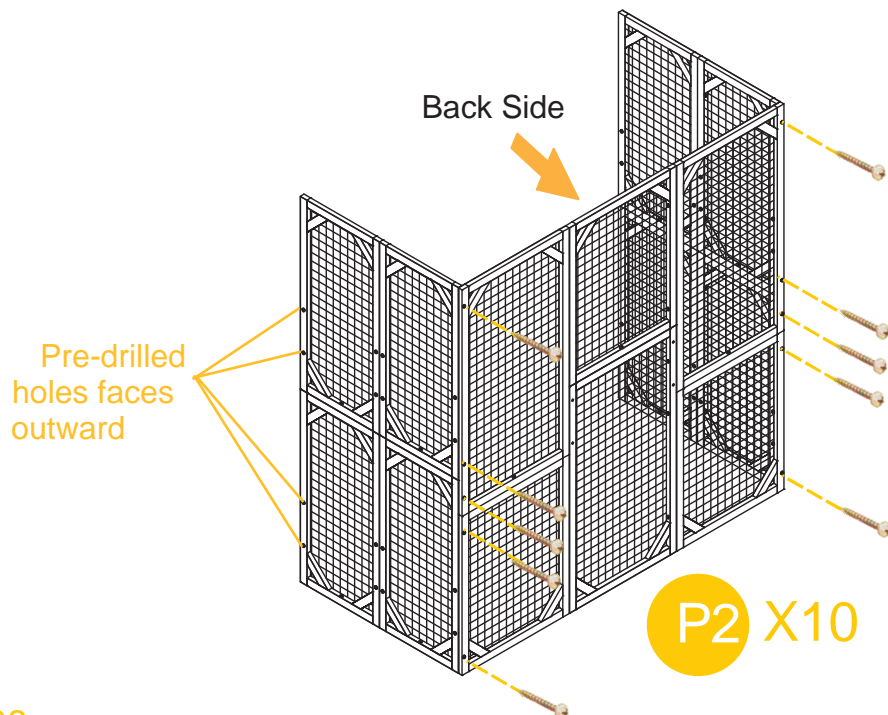


04

Attach the back panel to the two side panels by 10XP2.

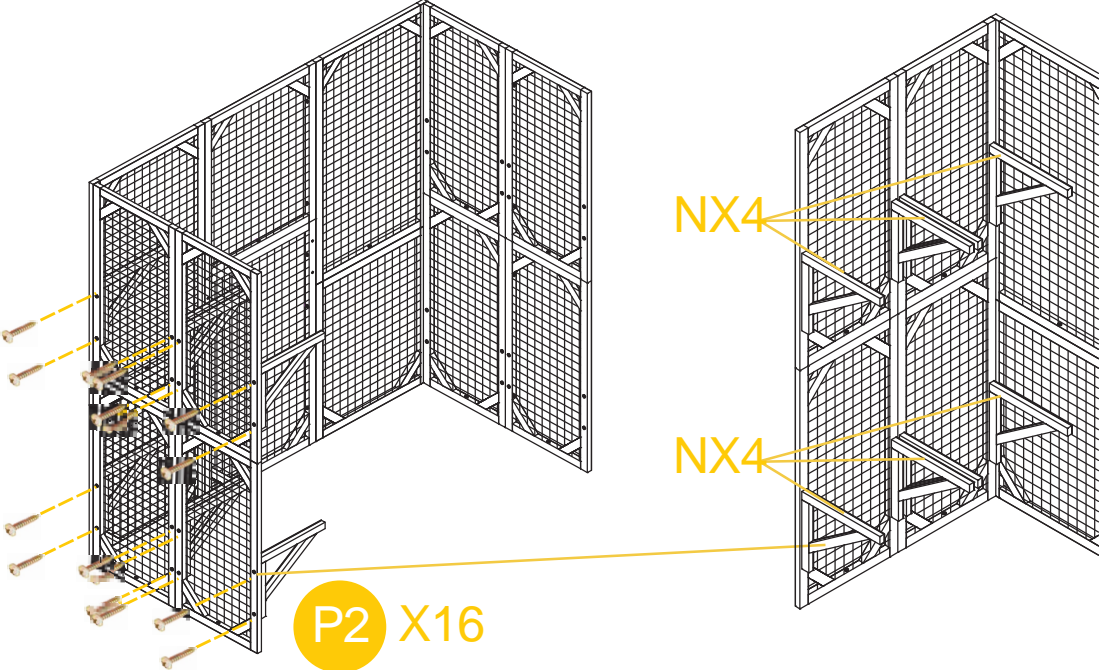
Notice:

Pre-drilled holes faces outward.

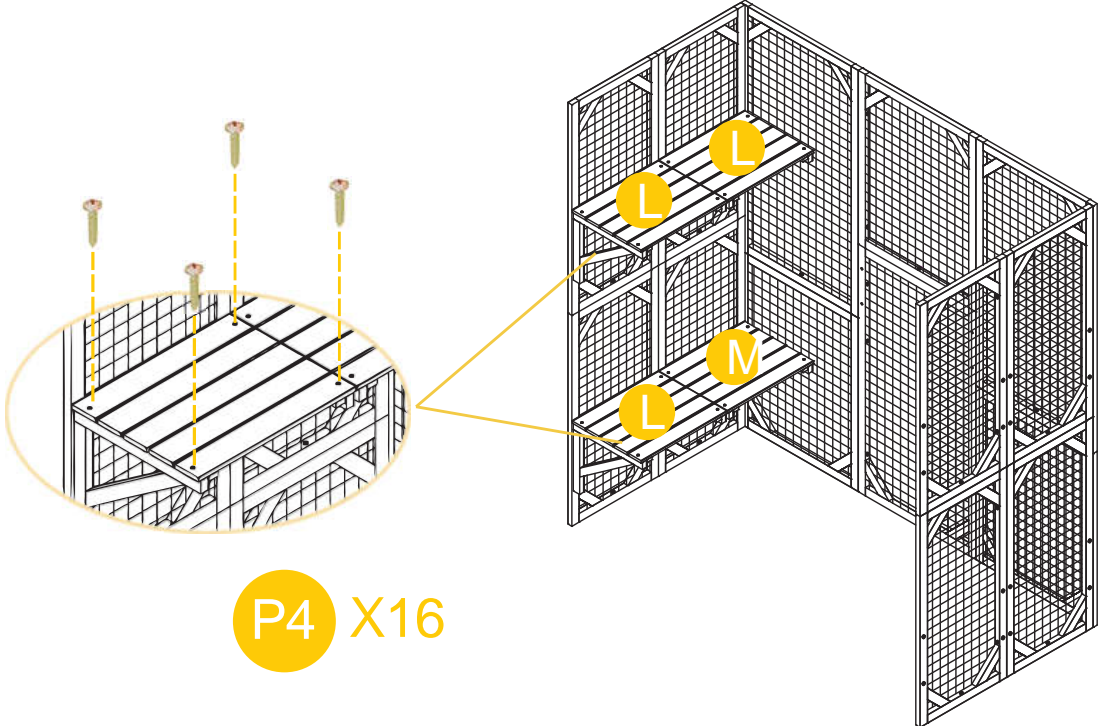


PRODUCT ASSEMBLY

05 Attach the supporters Part N to the left side by 16XP2.

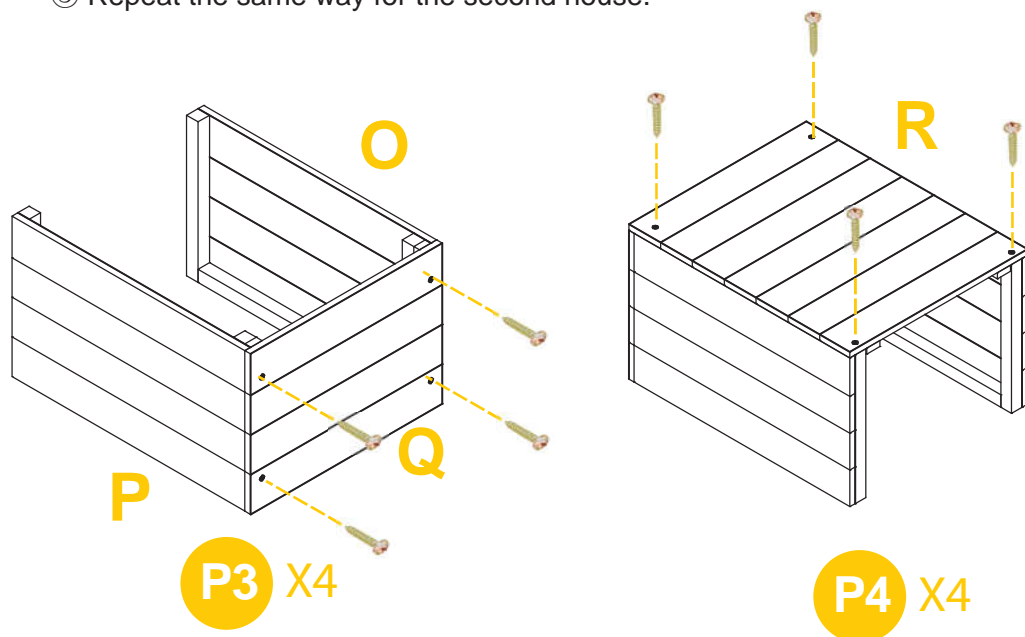


06 Attach the layer Part L & M to the supporter by 16XP4.

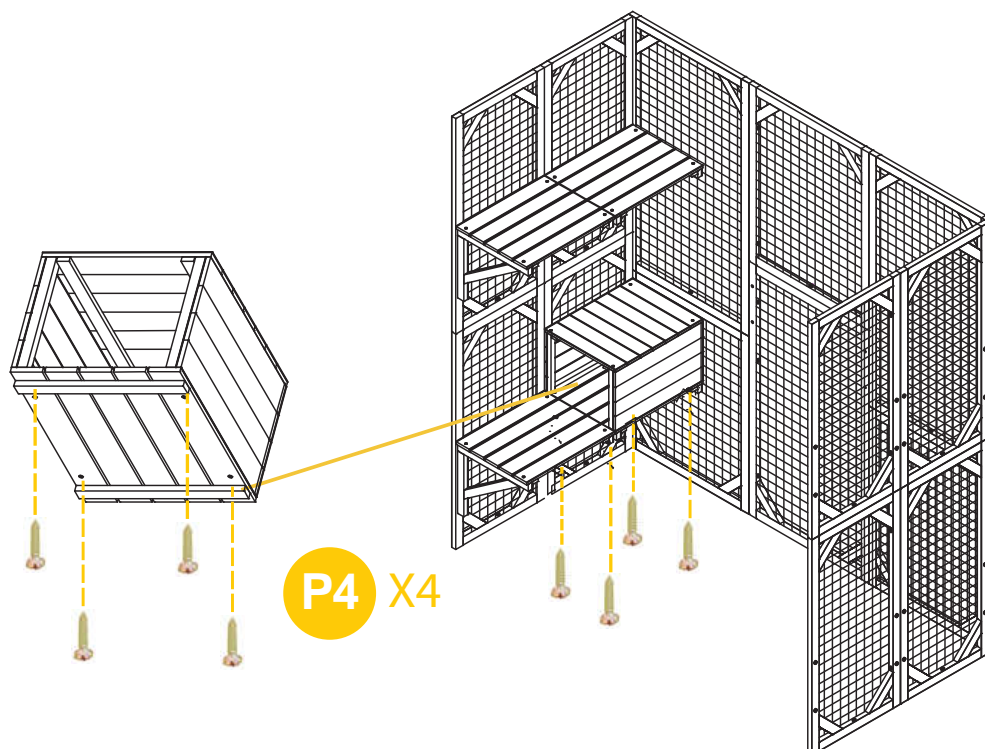


PRODUCT ASSEMBLY

- 07** ① Attach the back panel Part Q to the side panel Part P & O by 4XP3.
② Attach the roof Part R by 4XP4.
③ Repeat the same way for the second house.

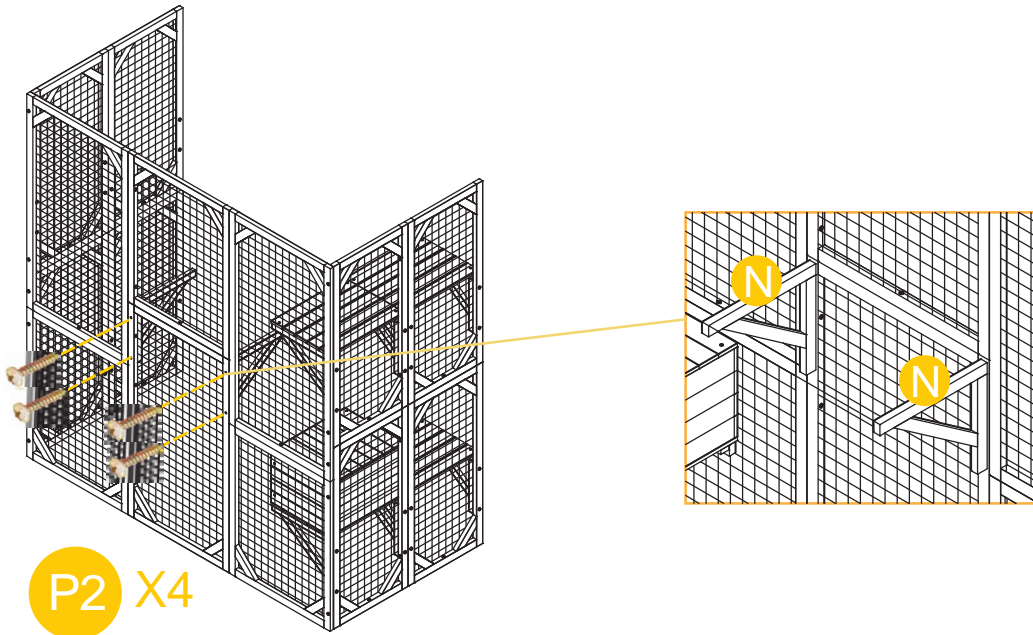


- 08** Screw the small house to the bottom layer by 4XP4.

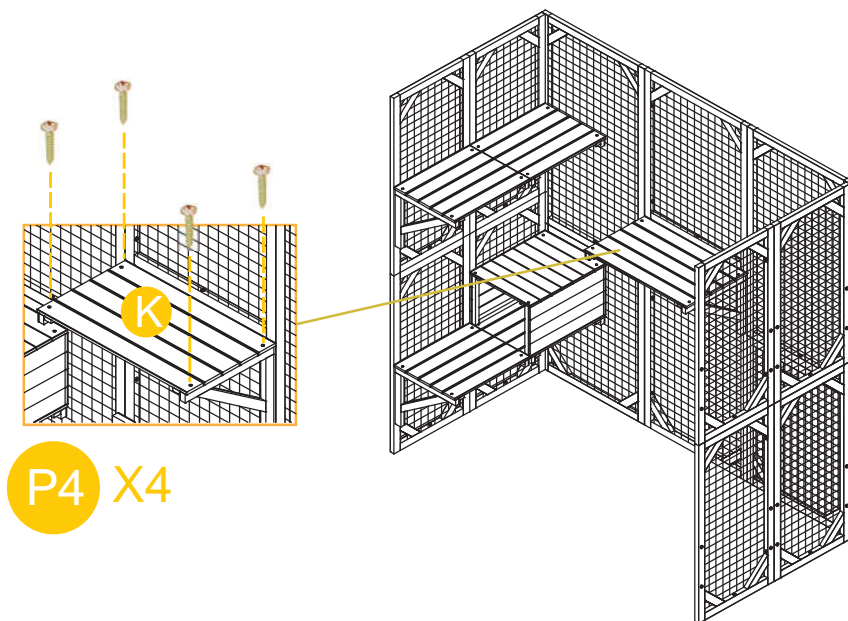


PRODUCT ASSEMBLY

09 Attach the middle supporters Part N to the back side by 4XP2.



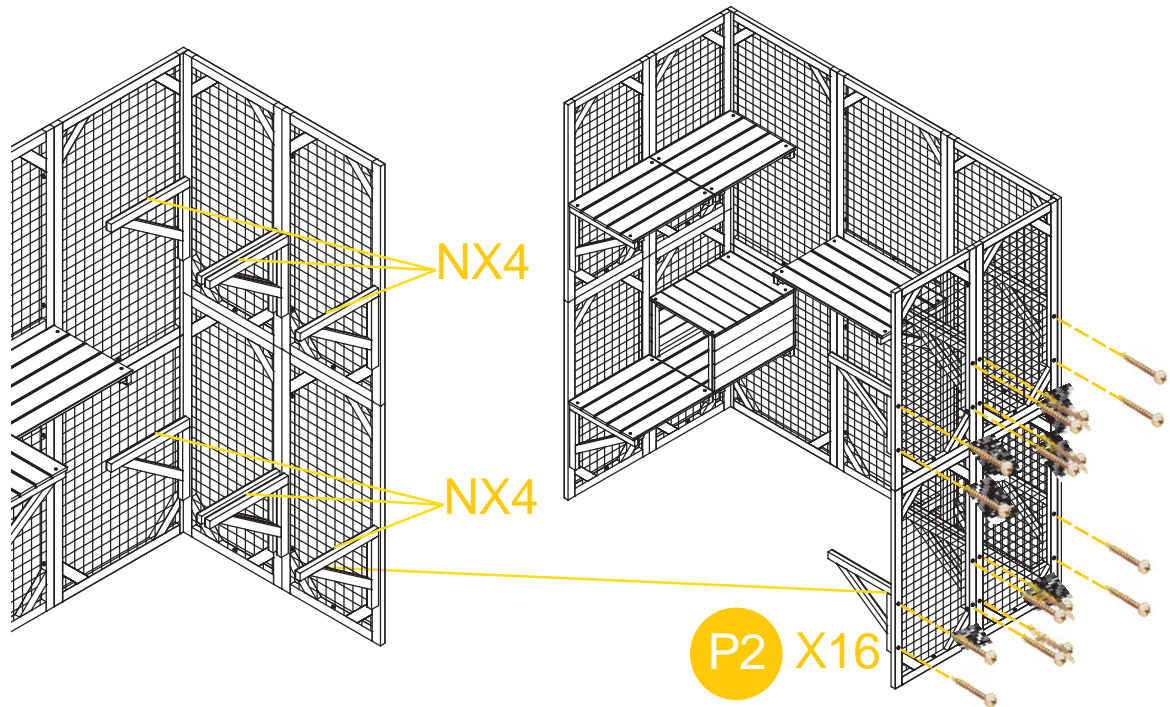
10 Attach the layer Part K to the supporter by 4XP4.



PRODUCT ASSEMBLY

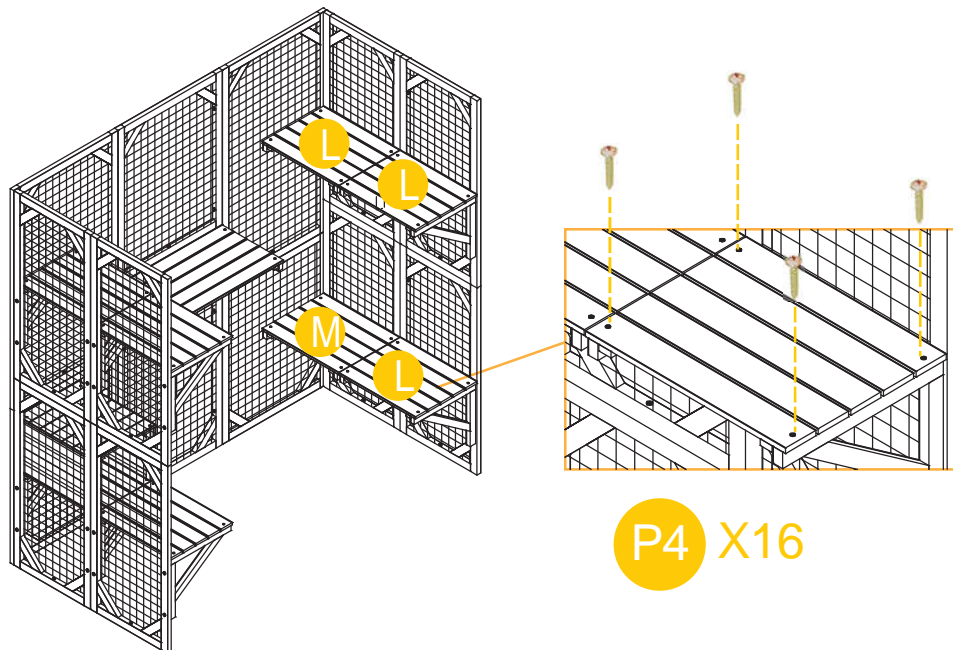
11

Attach the supporters Part N to the right side by 16XP2.



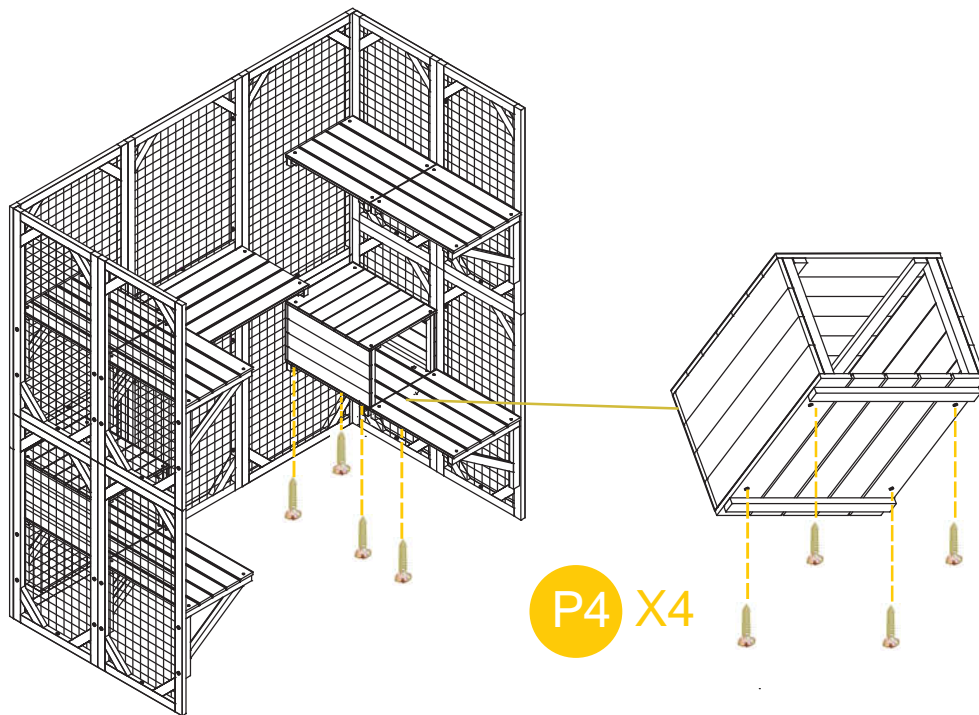
12

Attach the layer Part L & M to the supporter by 16XP4.

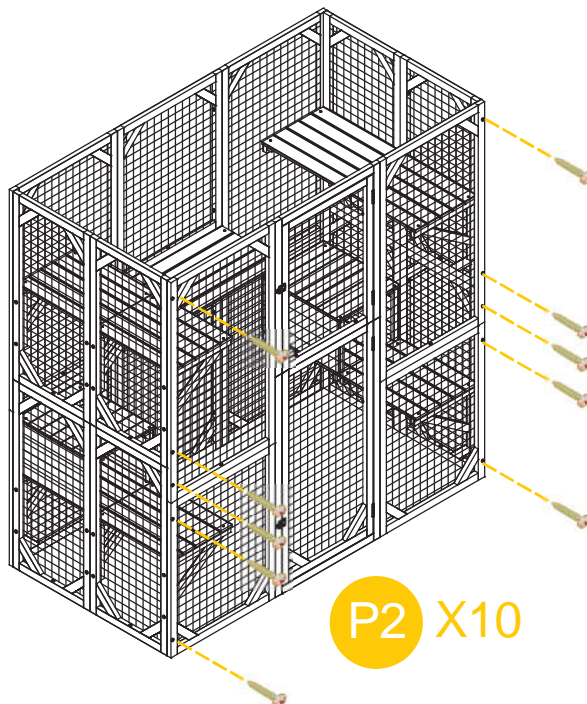


PRODUCT ASSEMBLY

13 Screw the another small house to the bottom layer by 4XP4.

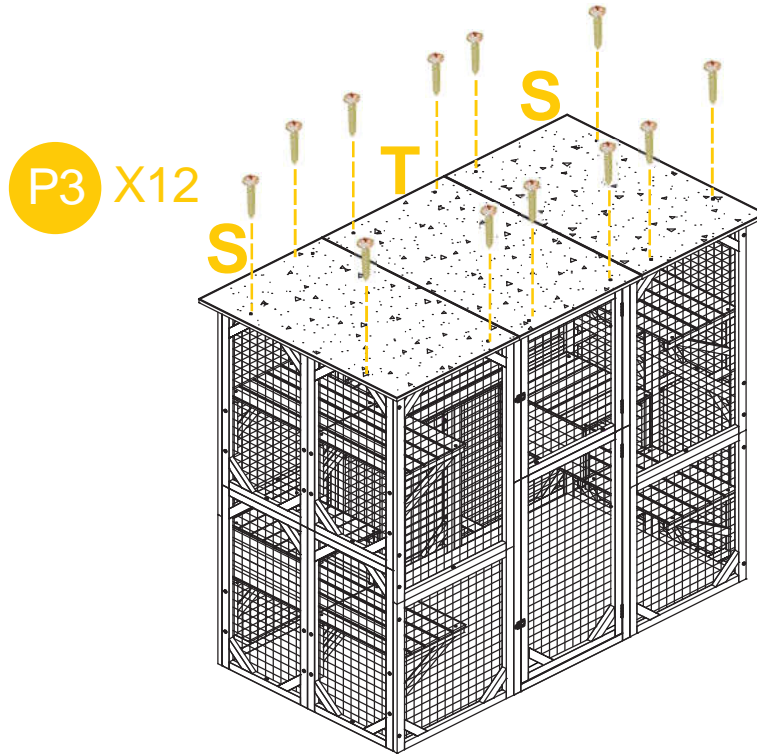


14 Attach the front panel to the side by 10XP2.

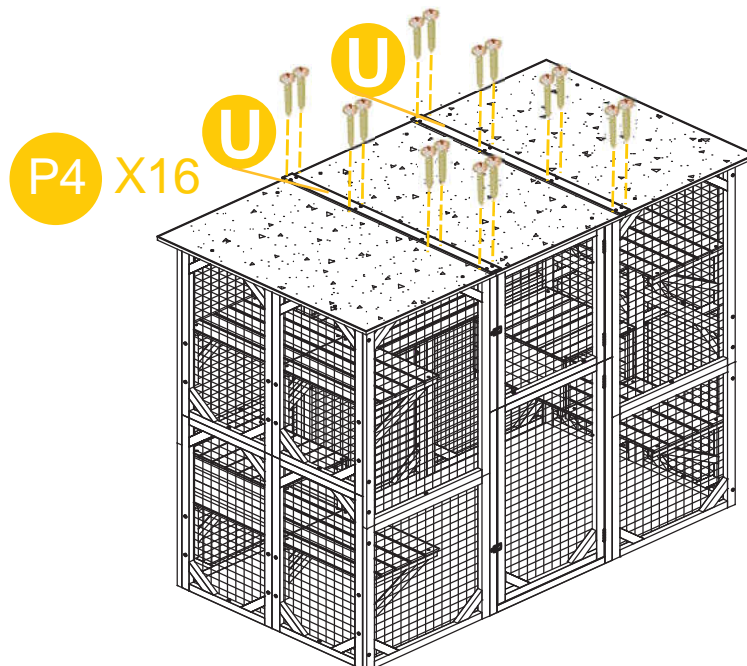


PRODUCT ASSEMBLY

15 Attach roof Part S & T by 12XP3.



16 Attach the roof slats Part U to the roof by 16xP4.





WARNING

Manufacturer and seller expressly disclaim any and all liability for personal injury, property damage or loss, whether direct, indirect, or incidental, resulting from the incorrect attachment, improper use, inadequate maintenance, or neglect of this