

NOTICE

- * Please make sure that you have all parts indicated and they are in good condition before you begin assembly of this item. Refer to part list and hardware list below for guidance.
- * This item should be assembled on a soft surface to prevent scratching the finish during assembly.
- * This item may require periodic tightening.







PREPARATION

- * Before beginning assembly of product, make sure all parts are present. Compare parts with part contents list and hardware contents list.
- * If any part is missing or damaged, do not attempt to assemble the product.
- * Estimated Assembly Time: 10 minutes.
- * Tools Required for Assembly (included): Allen Key

CARE AND MAINTENANCE

- * Spot clean using a mild water-free solvent. Only a professional cleaner should undertake a complete overall cleaning.
- * The use of steam or water-based cleaners may cause excessive shrinking or staining.

Part List and Hardware List

PIECE	DESCRIPTION	PICTURE	QUANTITY
A	Seat and Base		1X
B	Back		1X
C	Left arm		1X
D	Right arm		1X
HW1	Socket Screws 6 *1.05*25MM		10X
HW2	Allen Key		1X

Dimensions:

21.7"*23.6"*33.7"



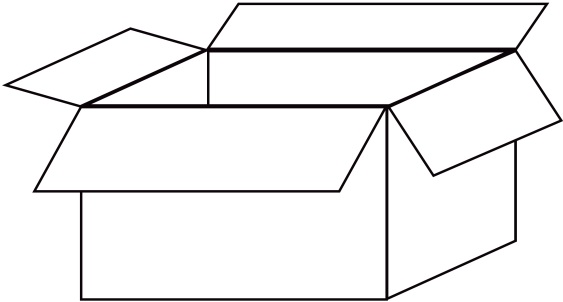
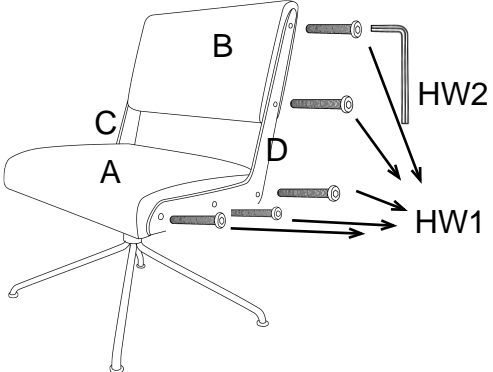

Weight Capacity: 275 lbs

Warning: Do not stand on Chair

Warning: Do not over torque bolts

PREPARATION

- * Before beginning assembly of product, make sure all parts are present. Compare parts with part contents list and hardware contents list.
- * If any part is missing or damaged, do not attempt to assemble the product.
- * Estimated Assembly Time: 10 minutes.
- * Tools Required for Assembly (included): Allen Key

	
<p>STEP1 OPEN THE CARTON BOX AND TAKE OUT BASE AND HARDWARE</p>	<p>STEP2 CONNECT THE TWO METAL ARMS TO BACK AND SEAT WITH SCREWS , TIGHTEN BY USING WRENCH AS SHOWN.</p>
	
<p>STEP3 THE GOODS ARE READY TO USE NOW!</p>	