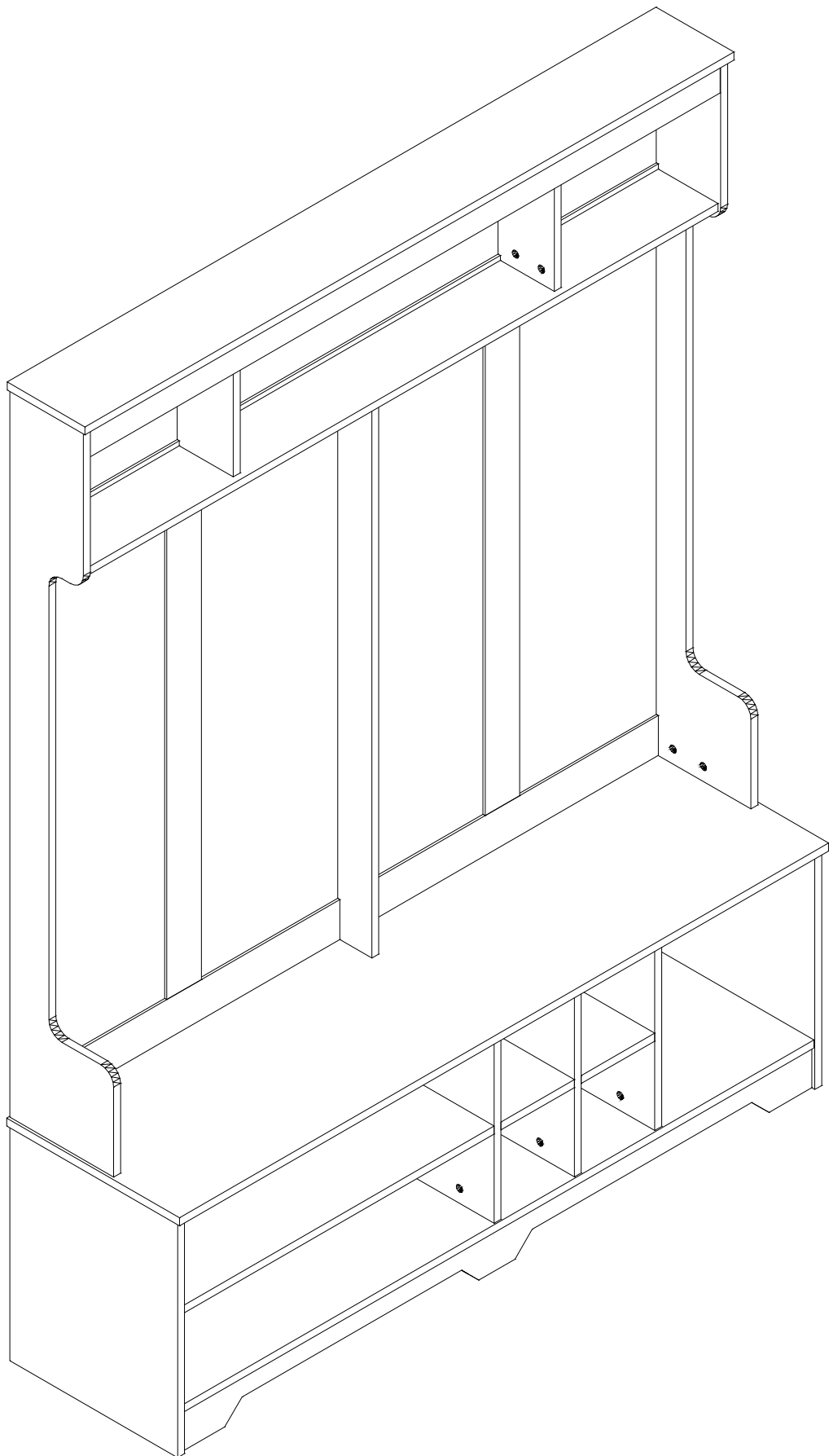
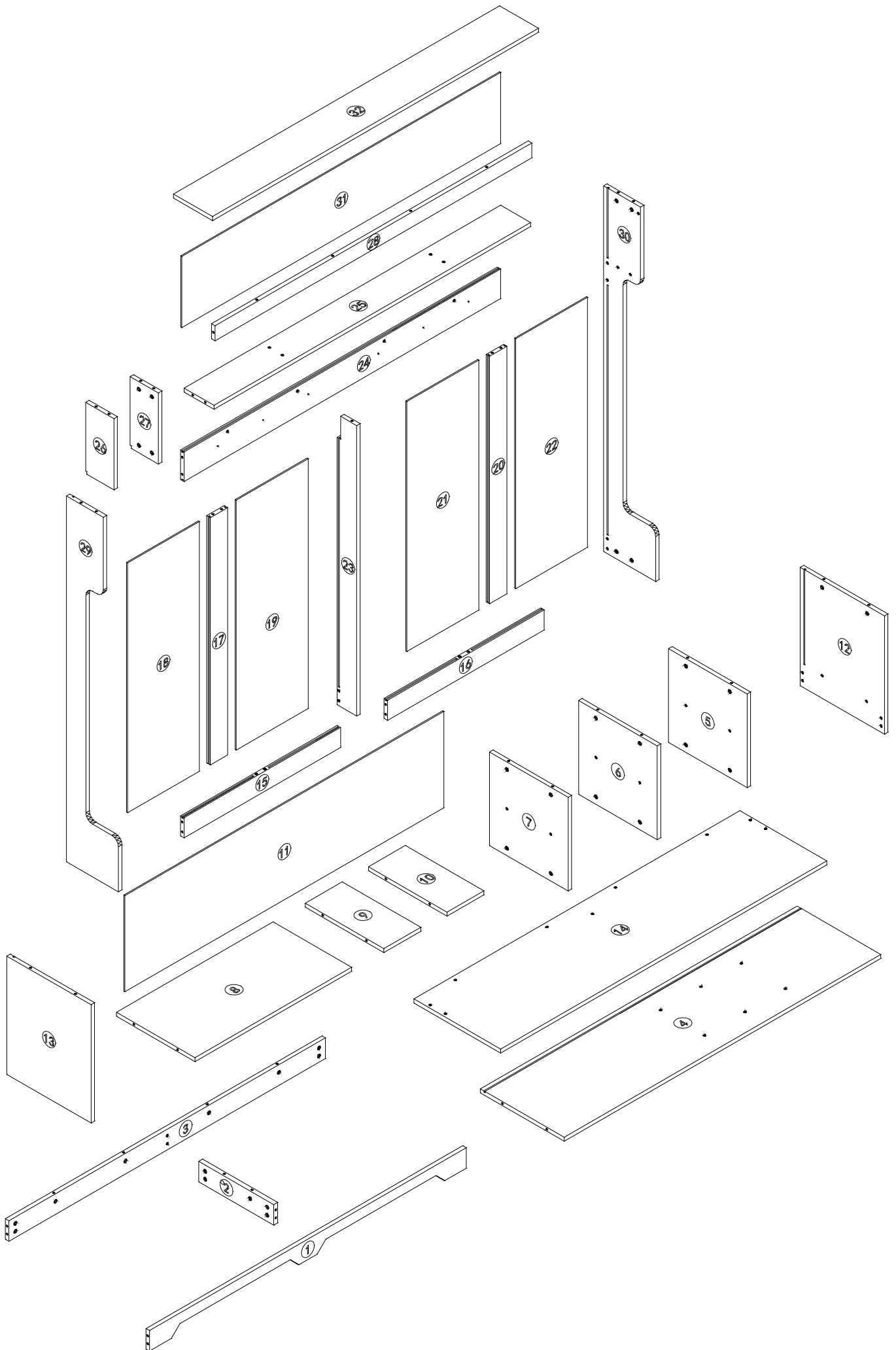


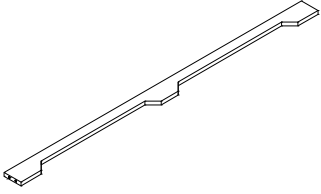
Assembly Instructions



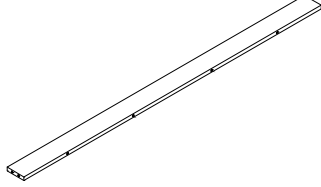


Component List

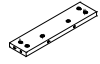
① x1



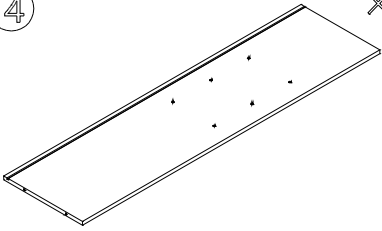
② x1



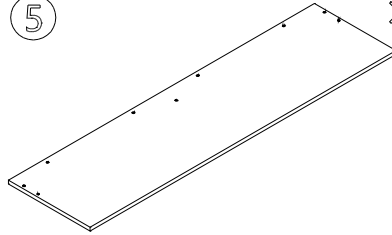
③ x1



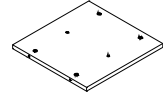
④ x1



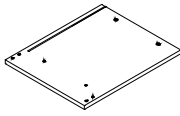
⑤ x1



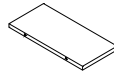
⑥ x3



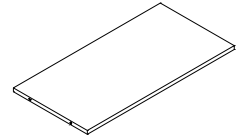
⑦ x2



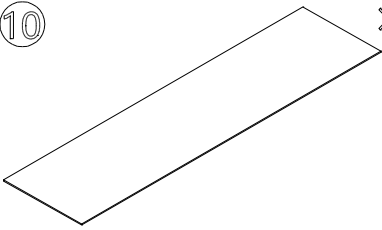
⑧ x2



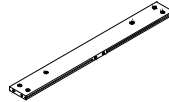
⑨ x1



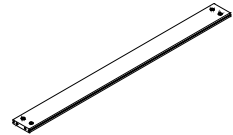
⑩ x1



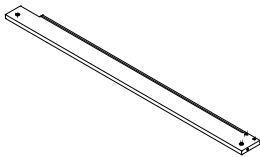
⑪ x2



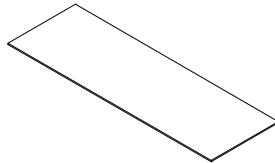
⑫ x2



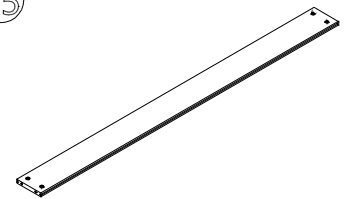
⑬ x1



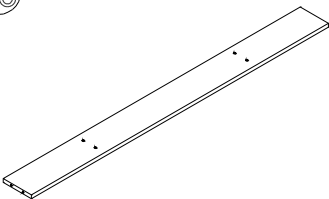
⑭ x4



⑮ x1



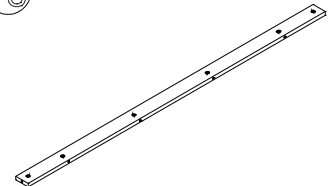
⑯ x1



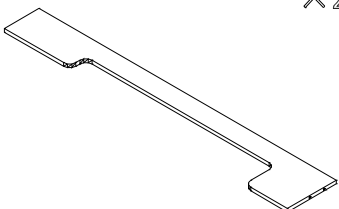
⑰ x2



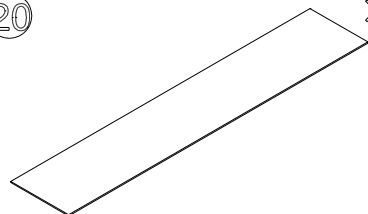
⑱ x1



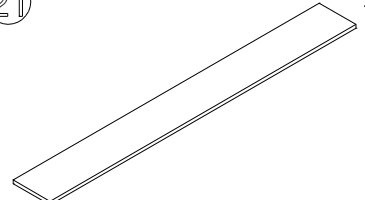
⑲ x2



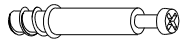
⑳ x1



㉑ x1



×106



(A)

6*33mm

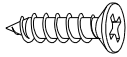
×106



(B)

ø5*10mm

×12



(C)

ø4*12mm

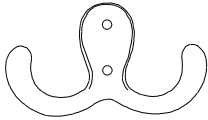
×12



(D)

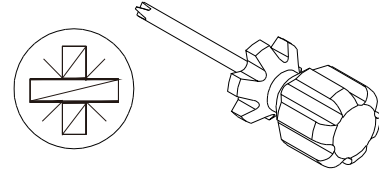
ø10mm

×6

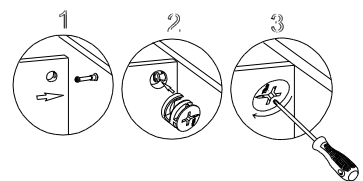
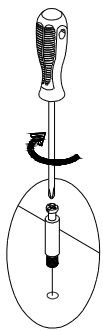
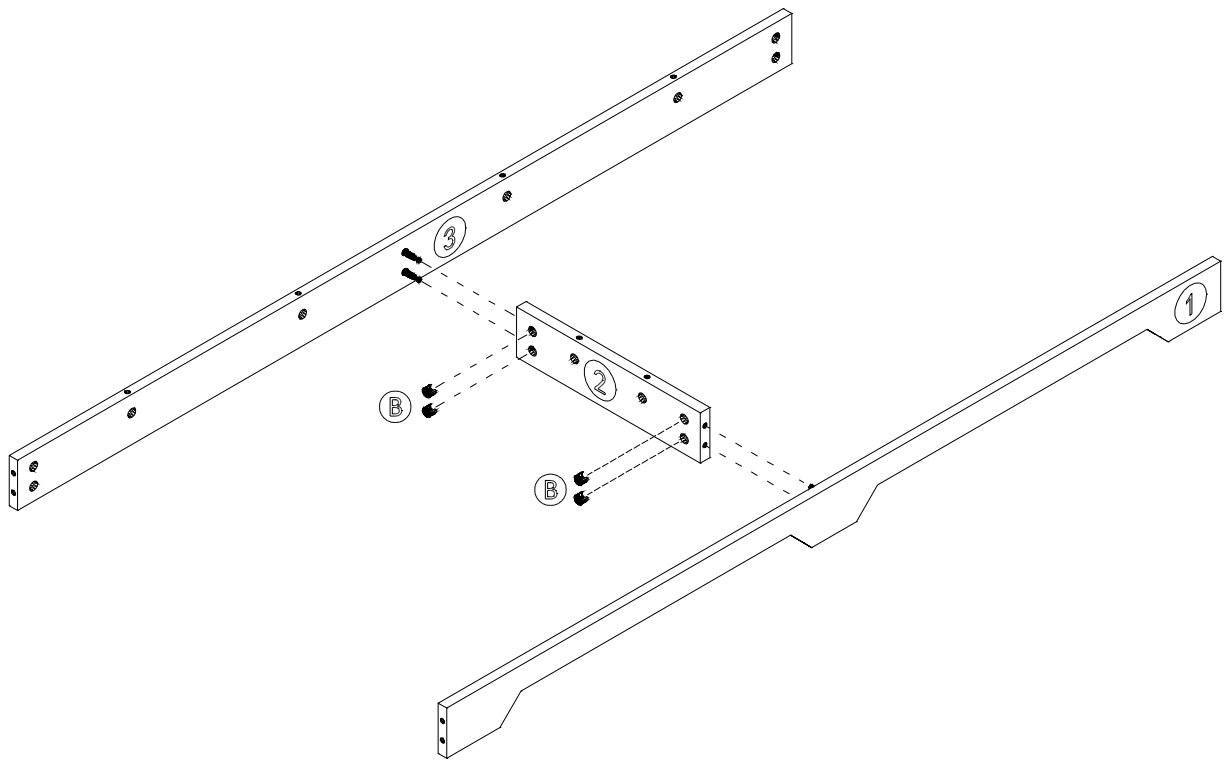
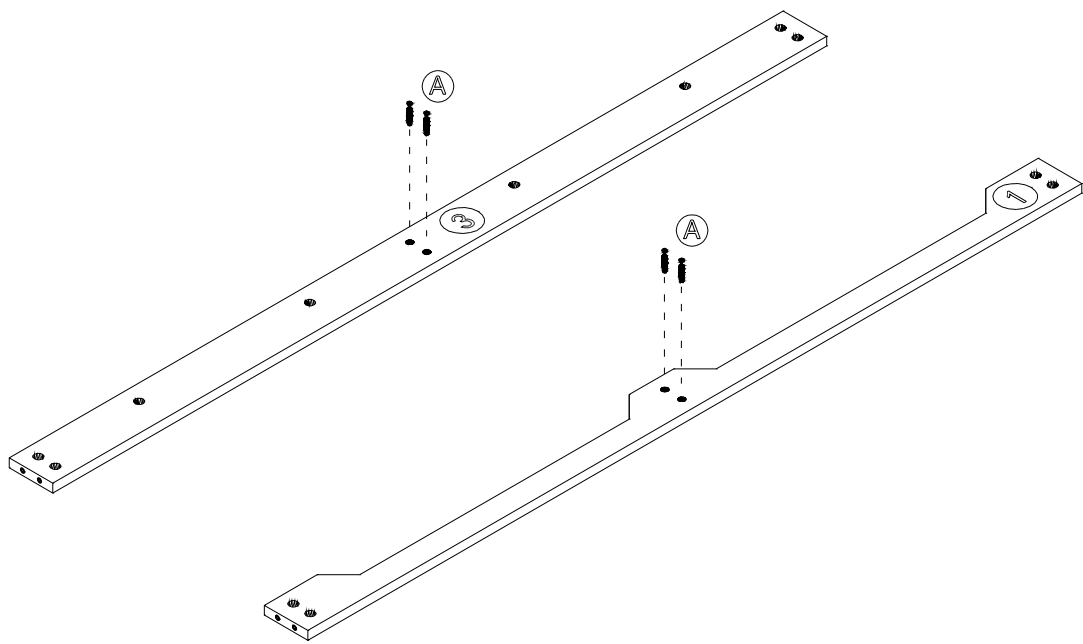


(E)

×1



(F)



A

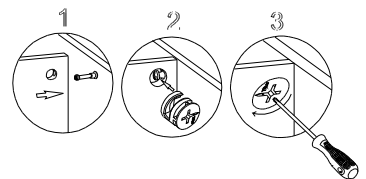
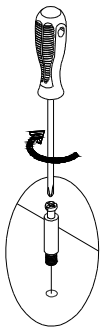
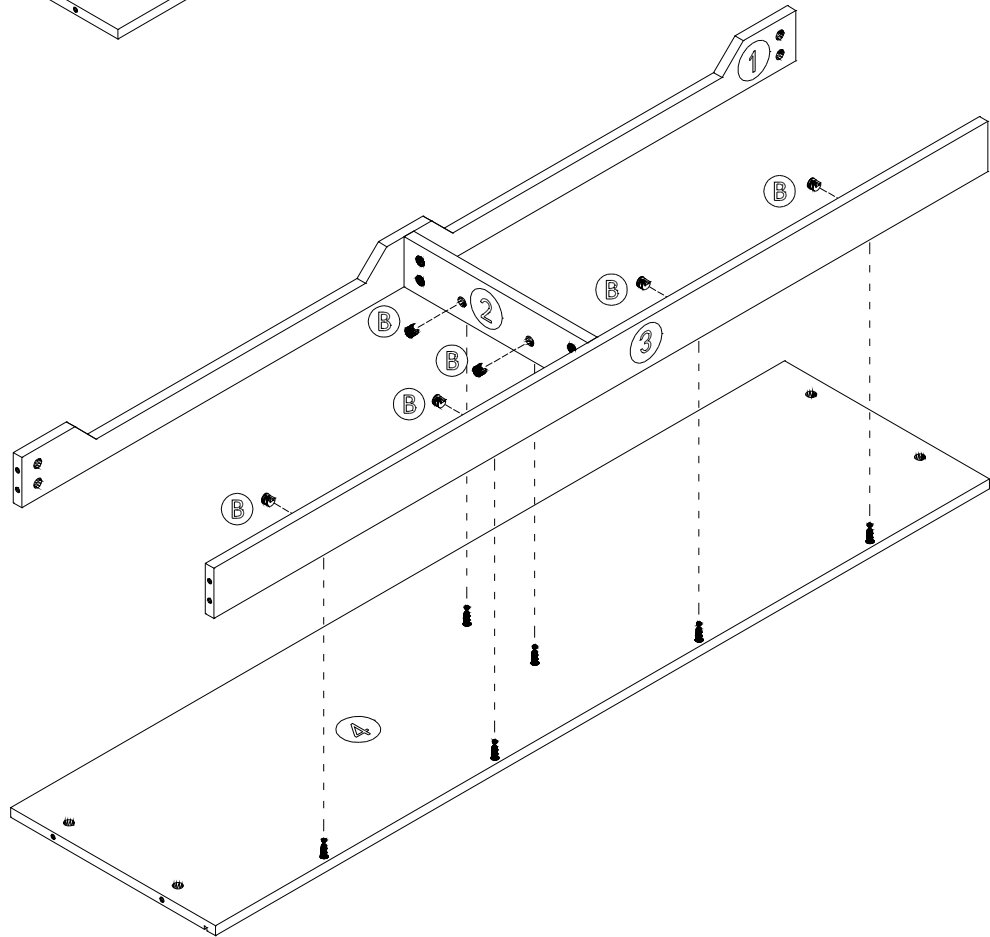
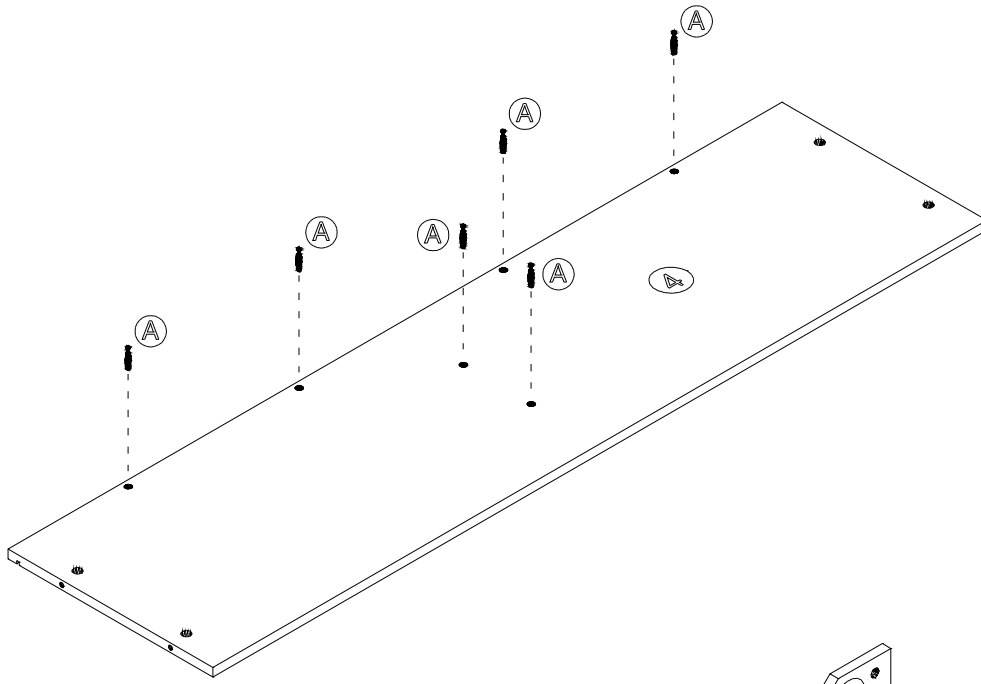


[× 4]

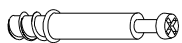
B



[× 4]



A

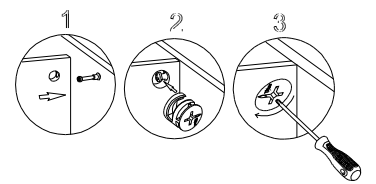
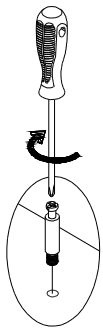
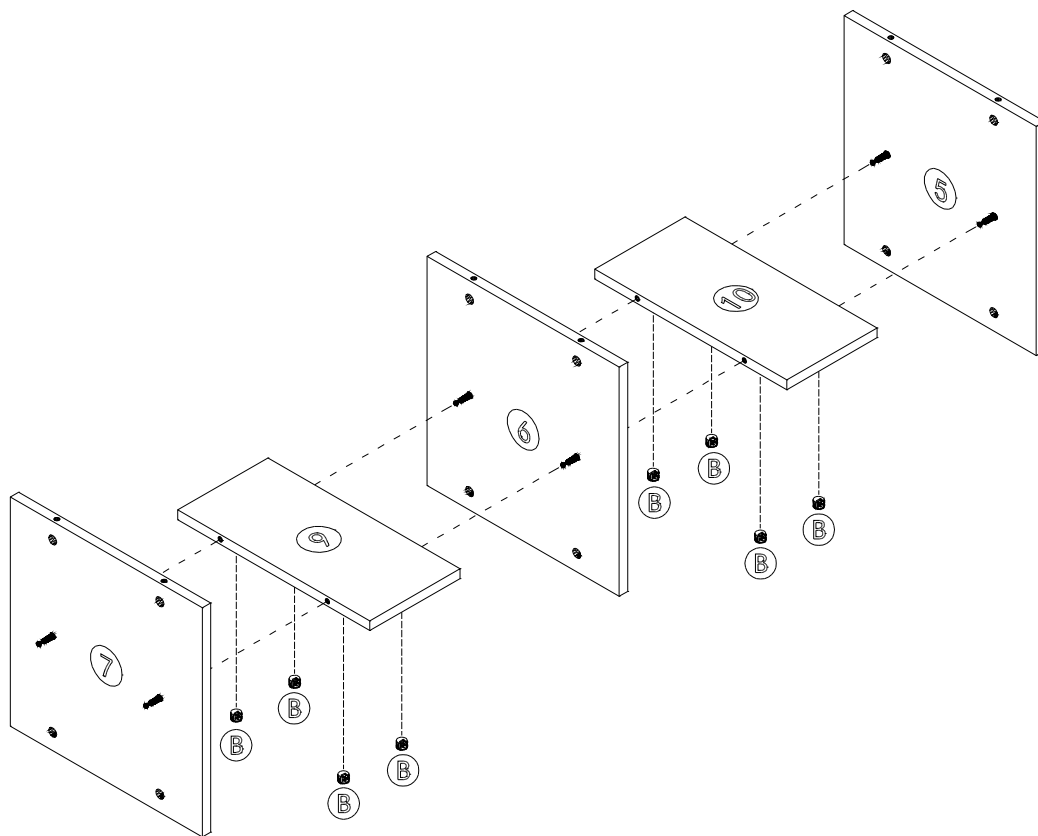
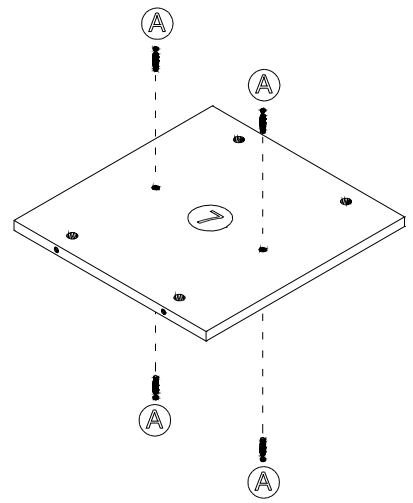
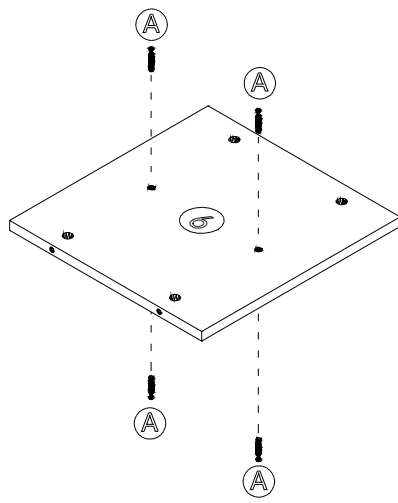
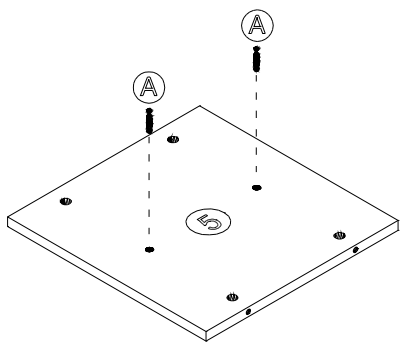



[× 6]

B

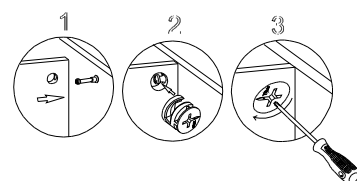
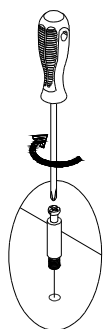
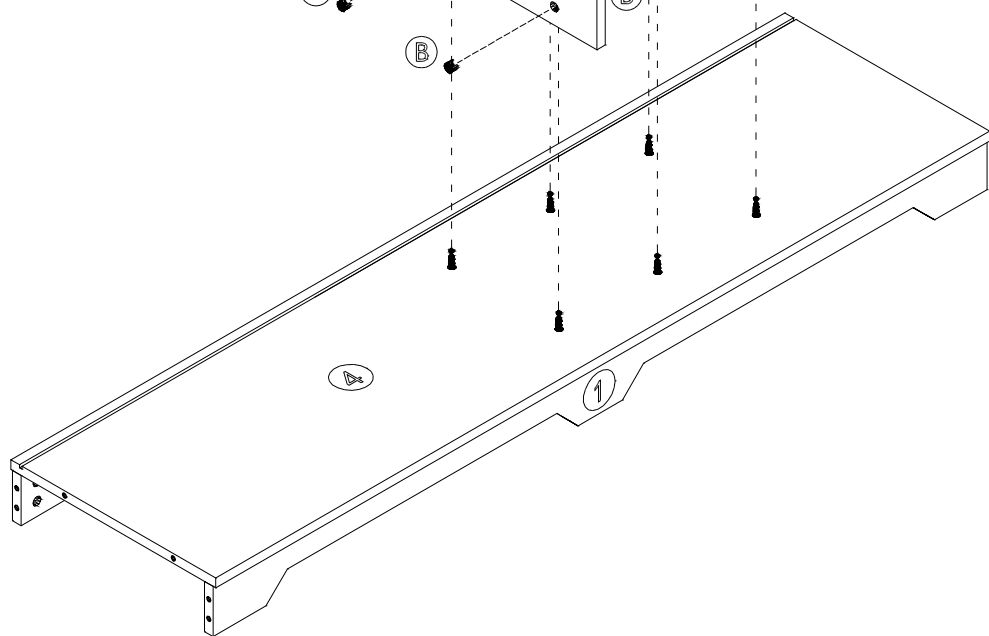
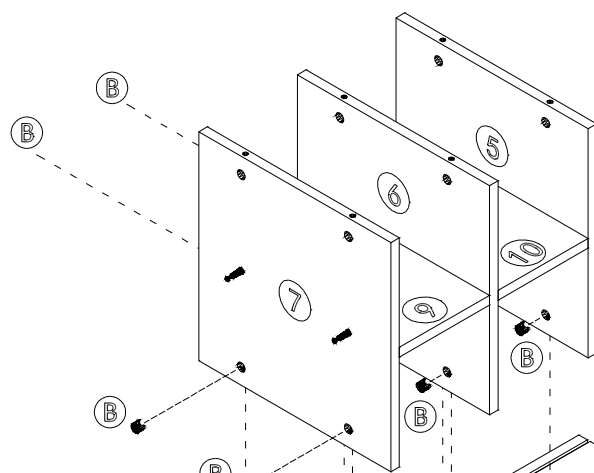
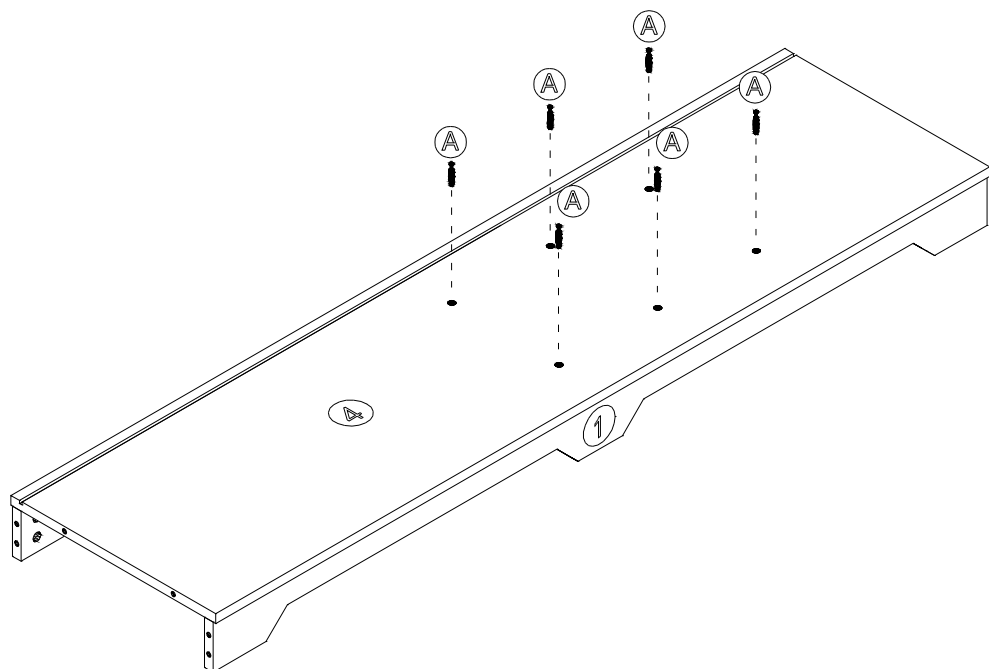


[× 6]

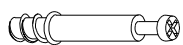


(A)  [×10]

(B)  [×8]



A

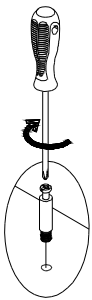
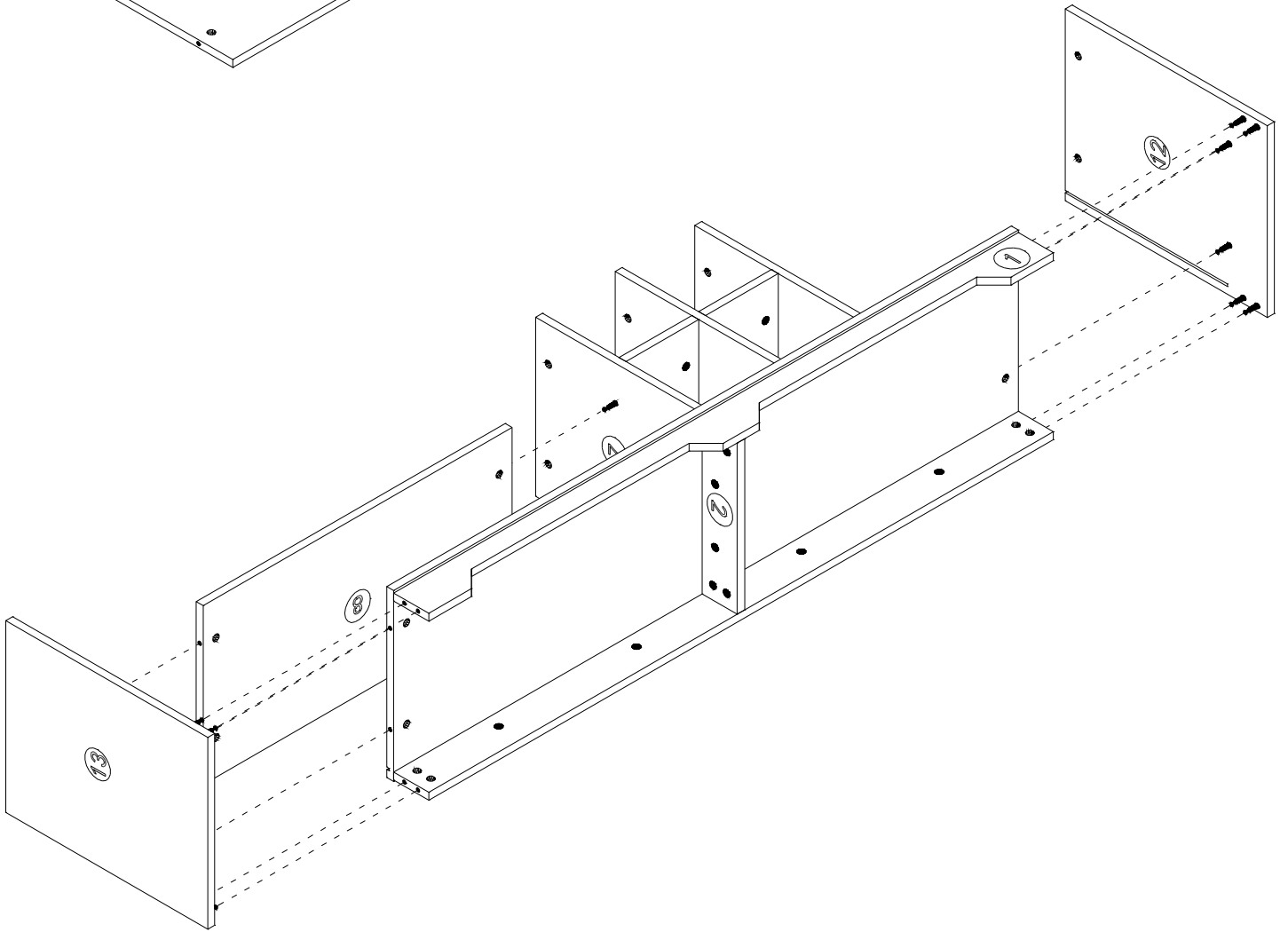
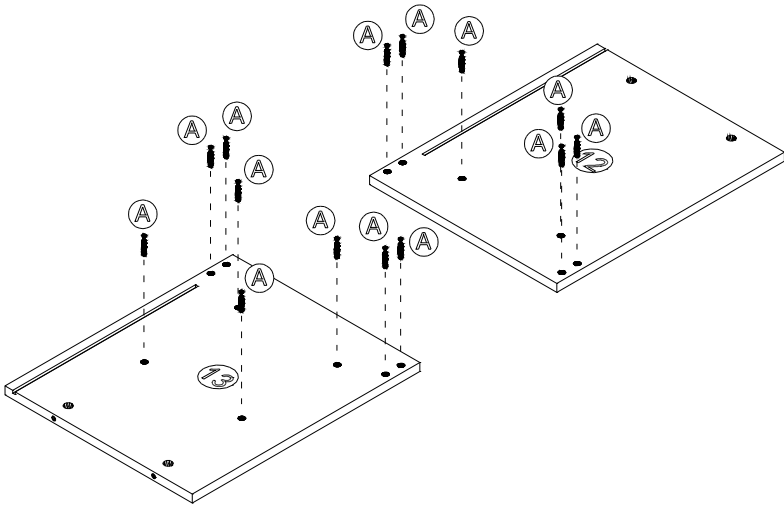


[×6]

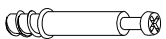
B



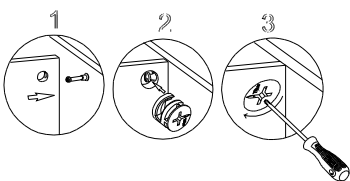
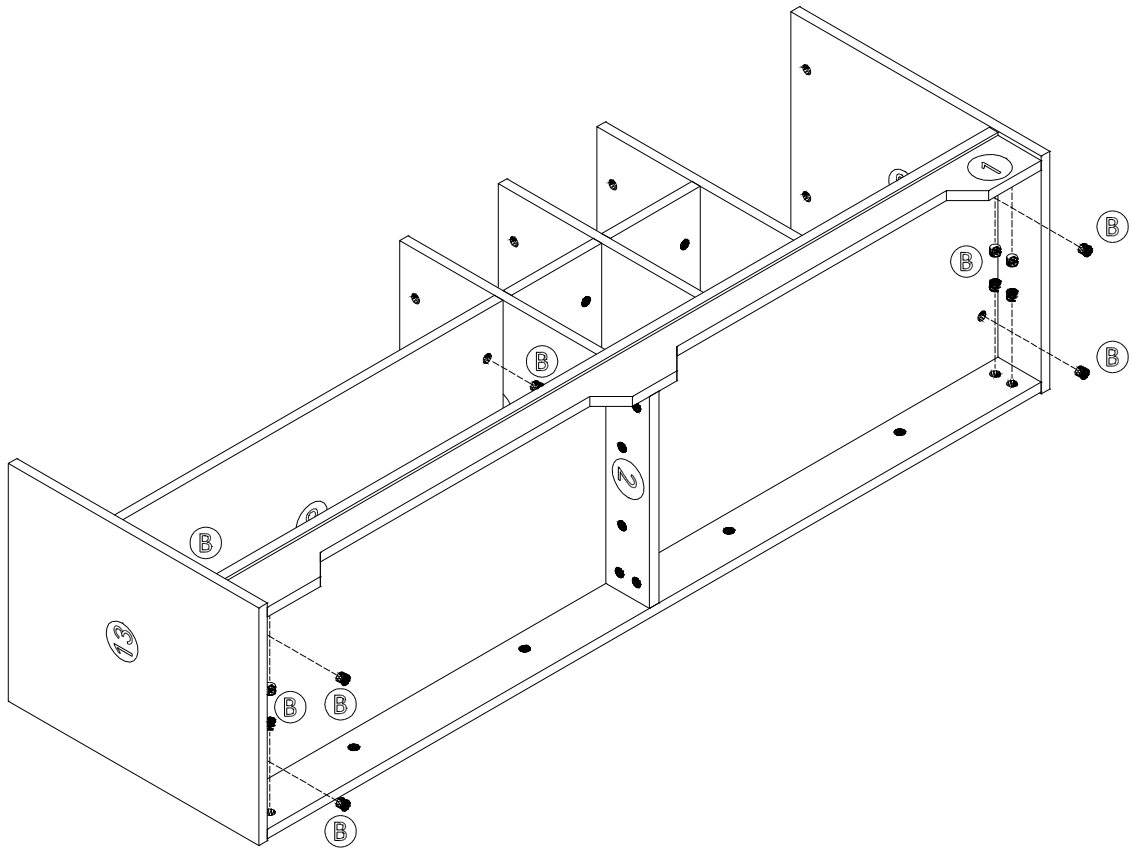
[×6]



A



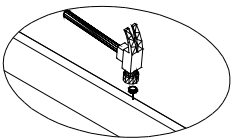
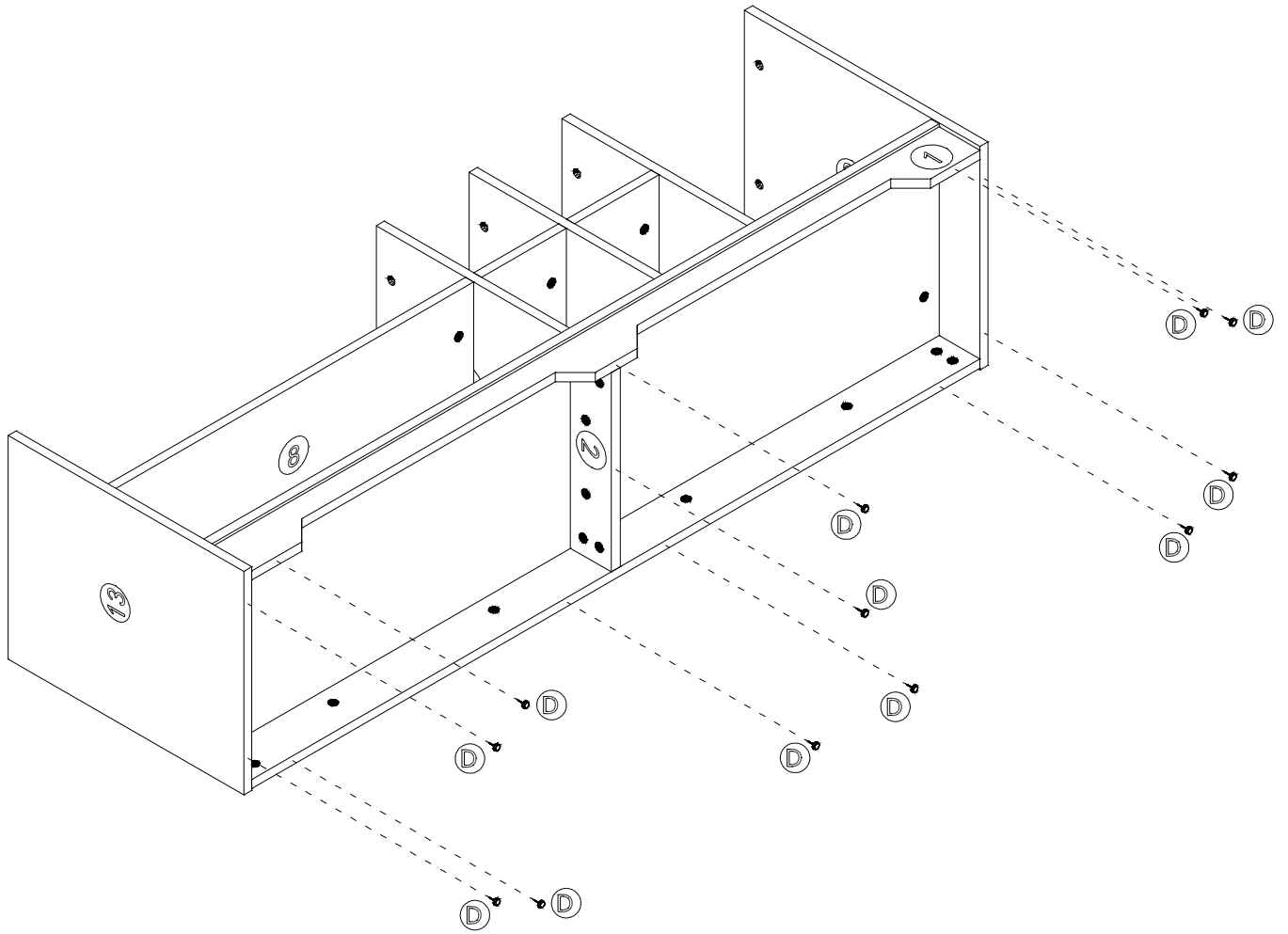
[X 14]



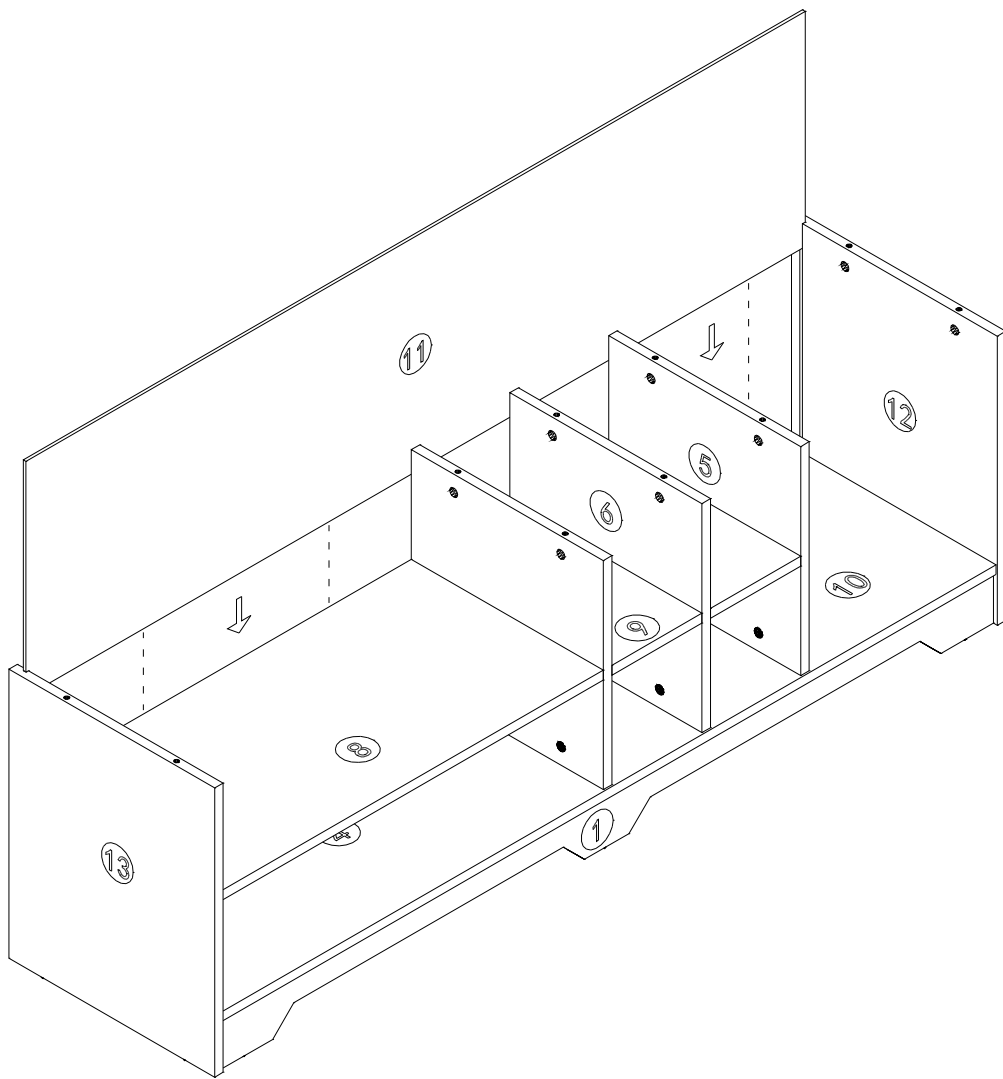
(B)

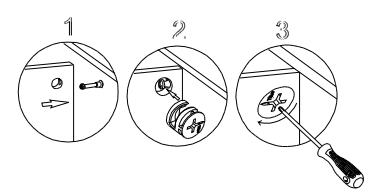
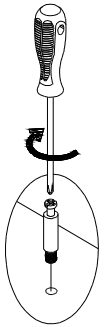
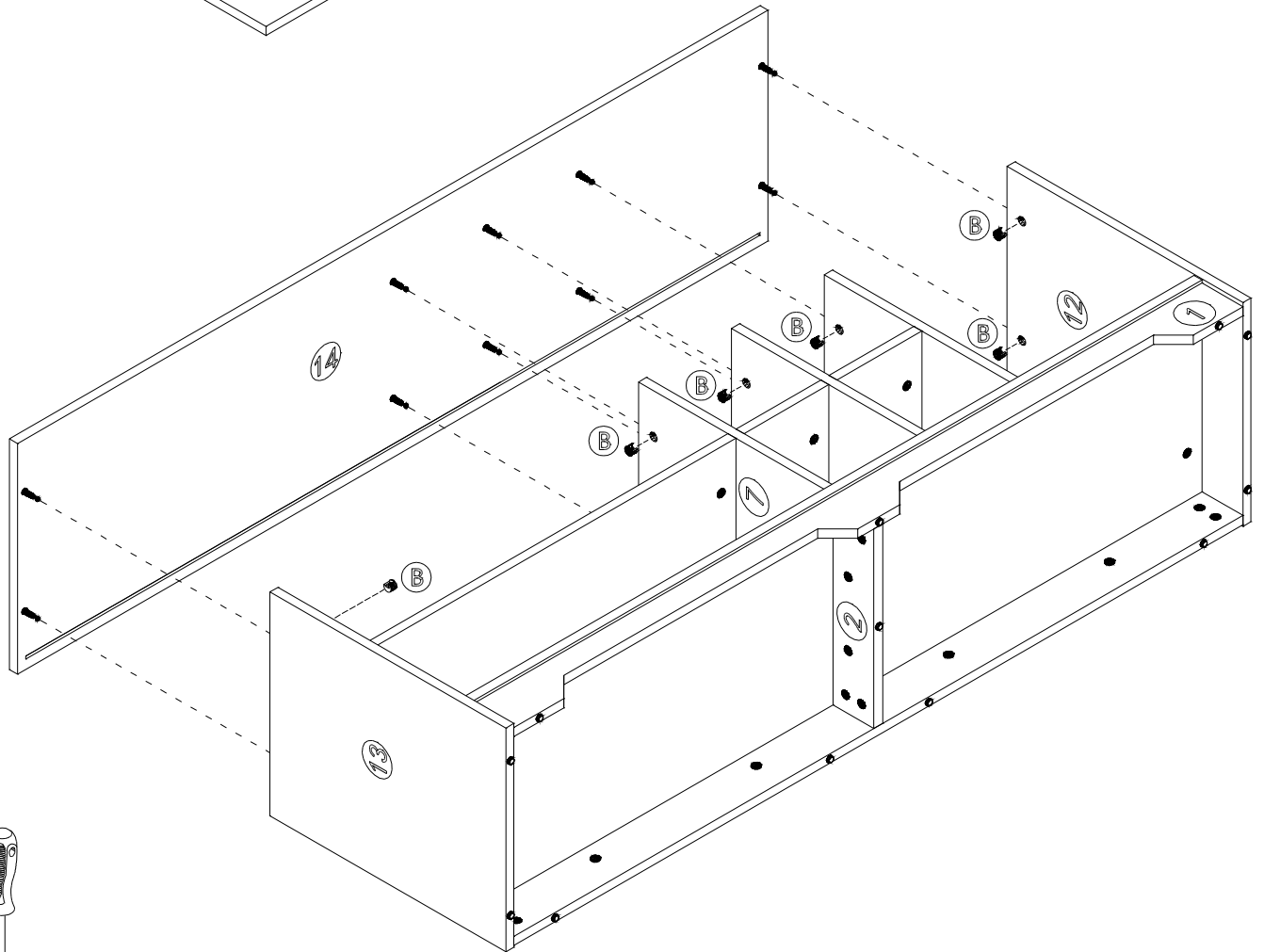
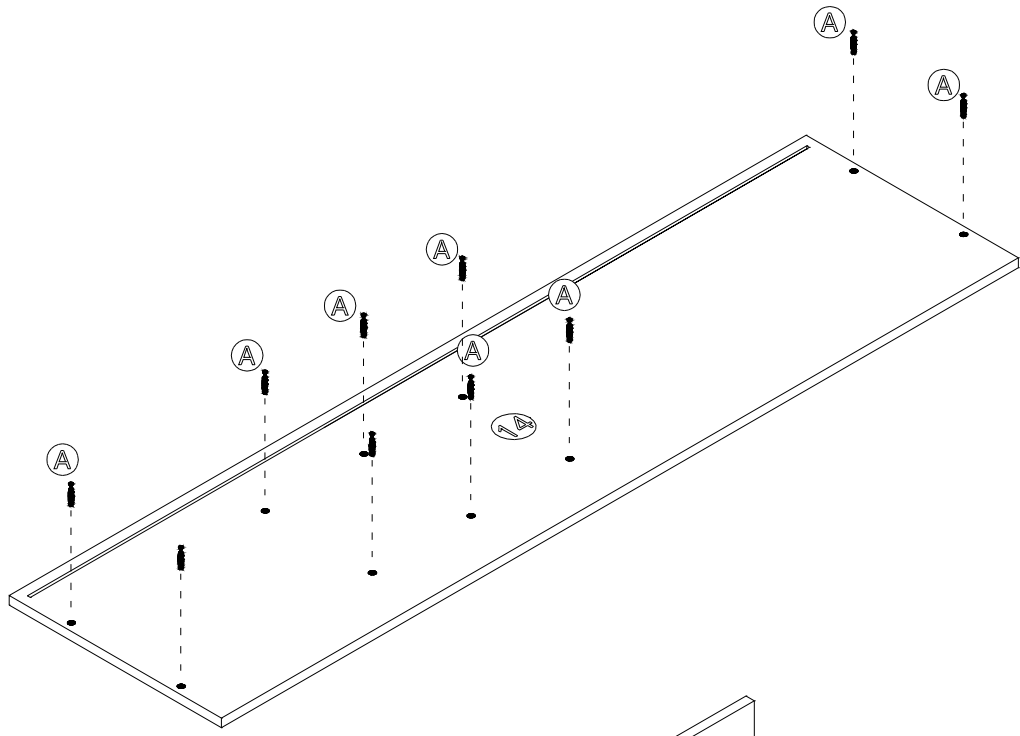



[X16]




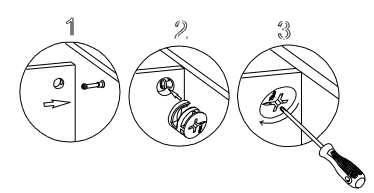
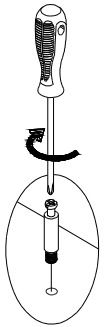
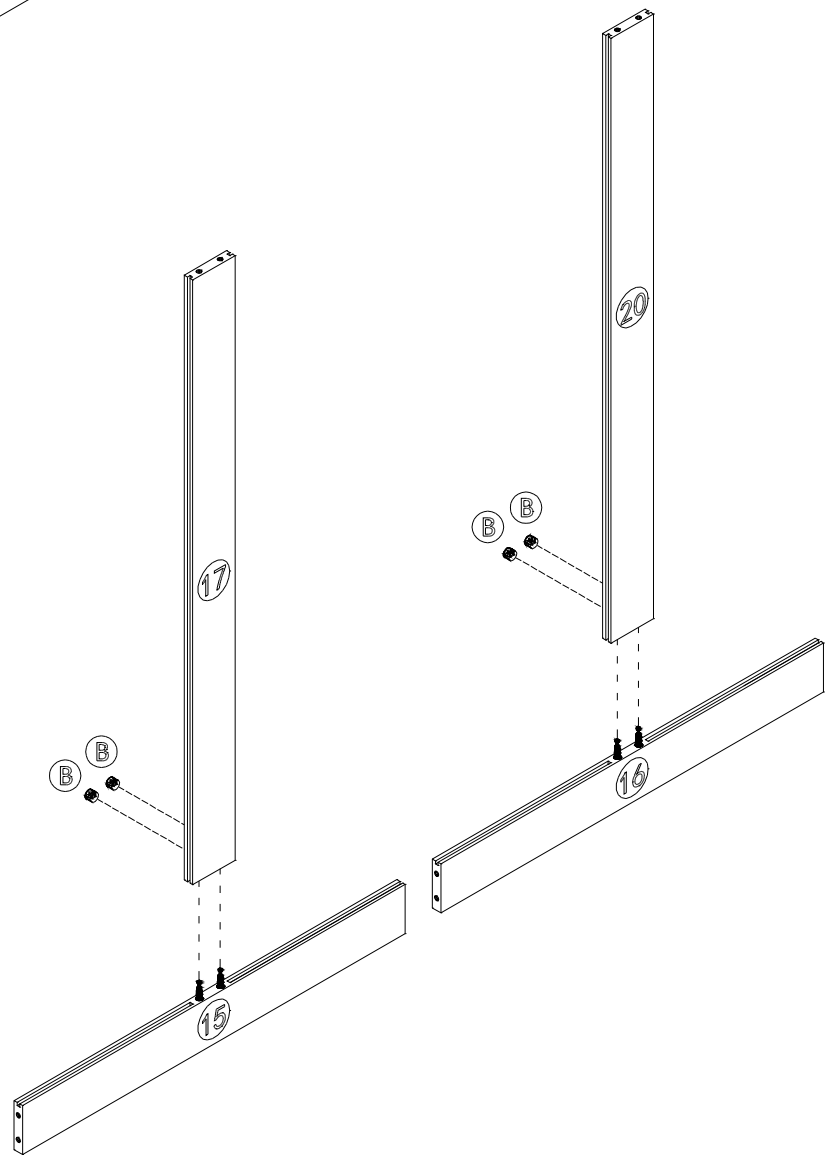
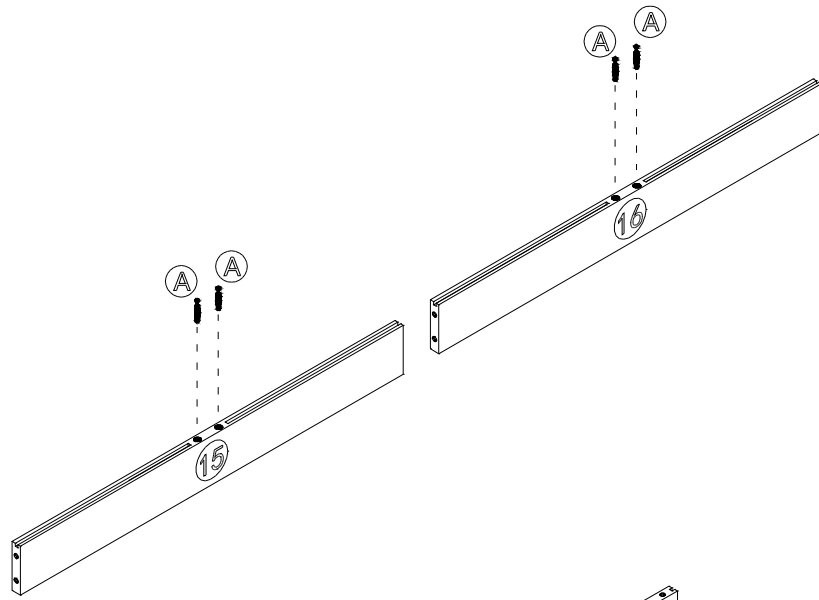
[×12]






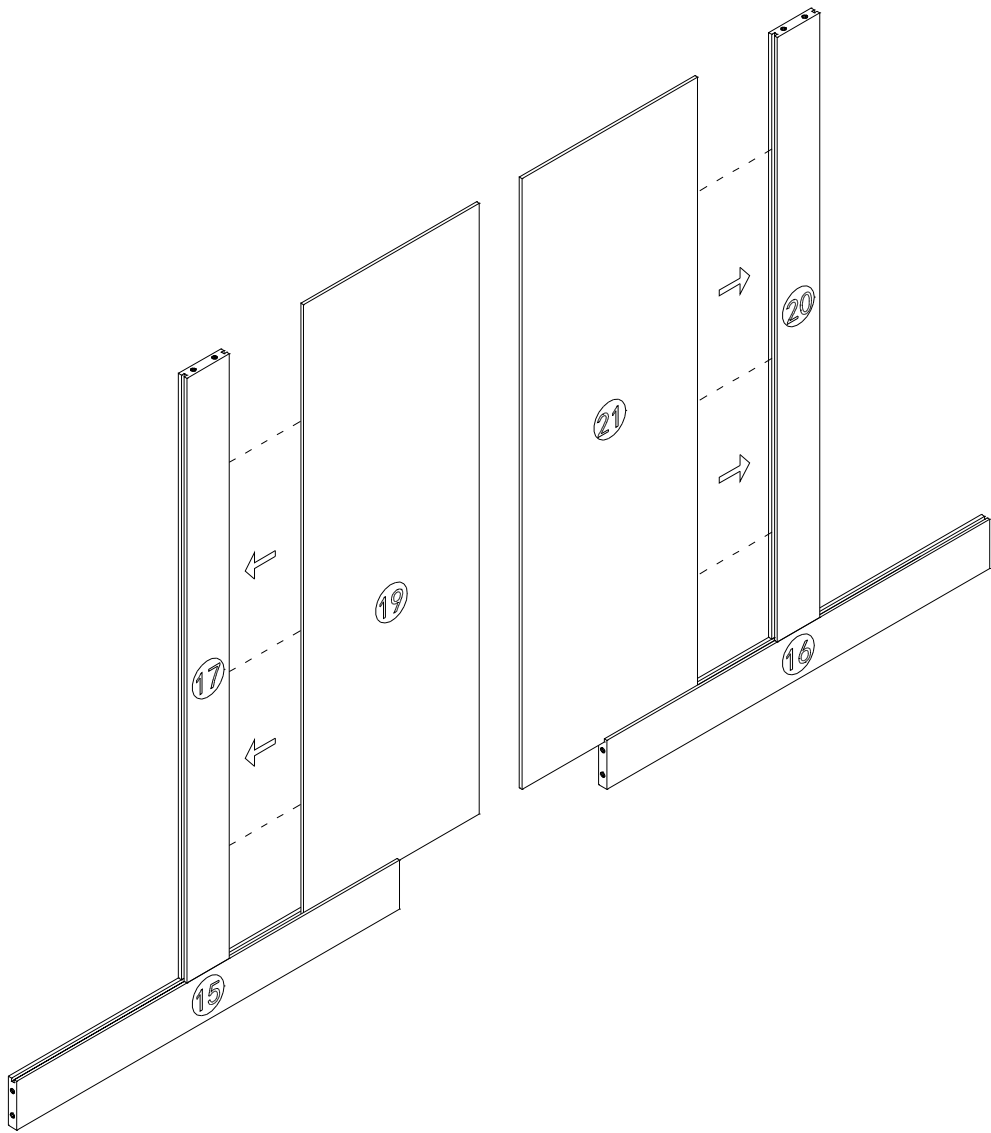
A  **[× 10]**

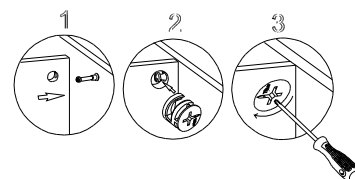
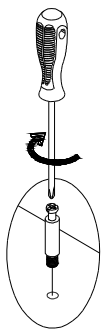
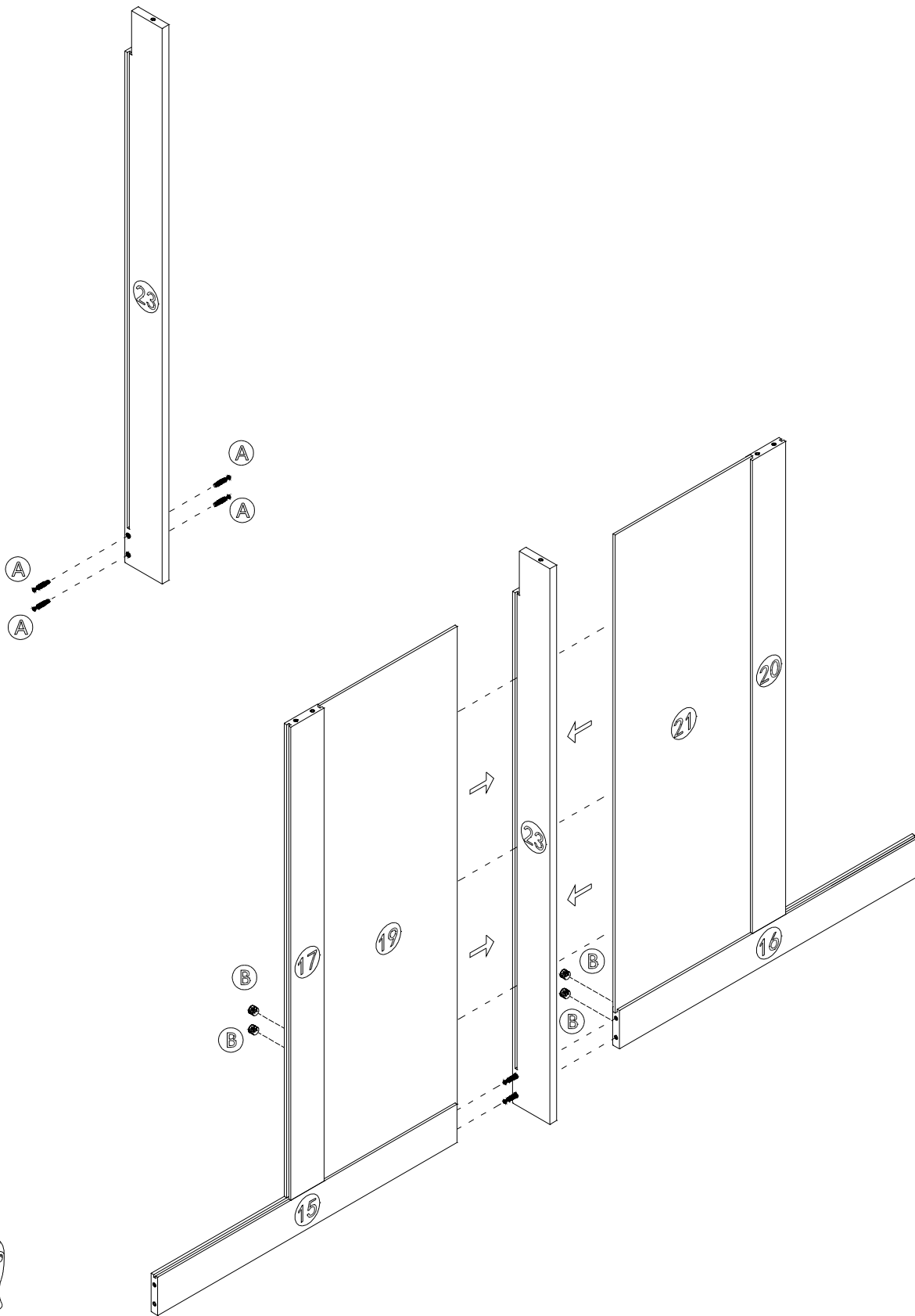
B  **[× 10]**



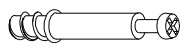
(A)  [×4]

(B)  [×4]





(A)

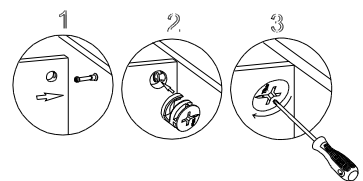
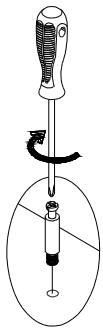
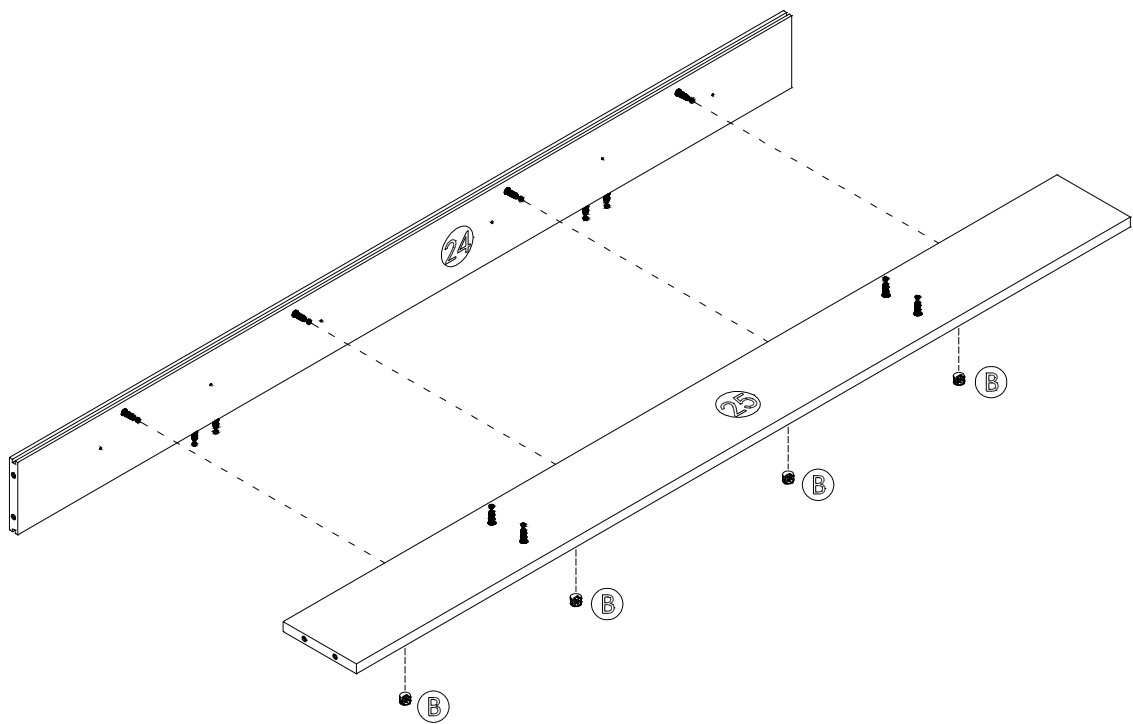
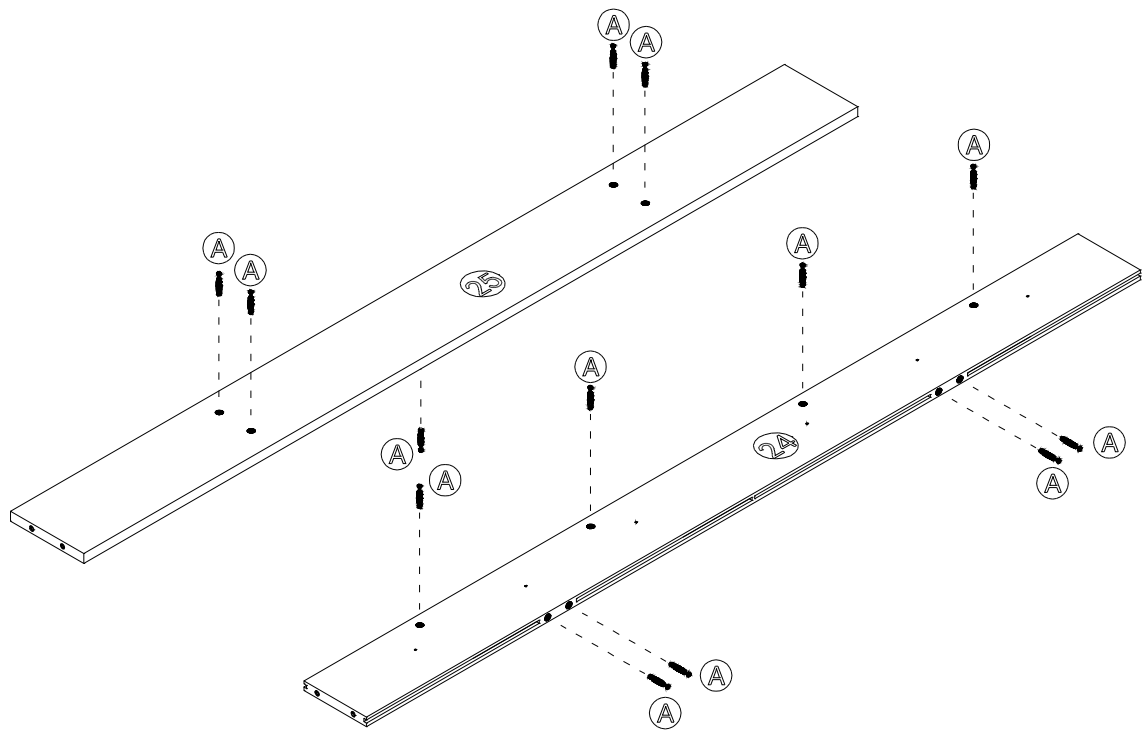


[× 4]

(B)



[× 4]



A

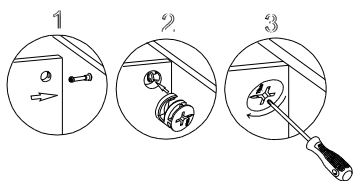
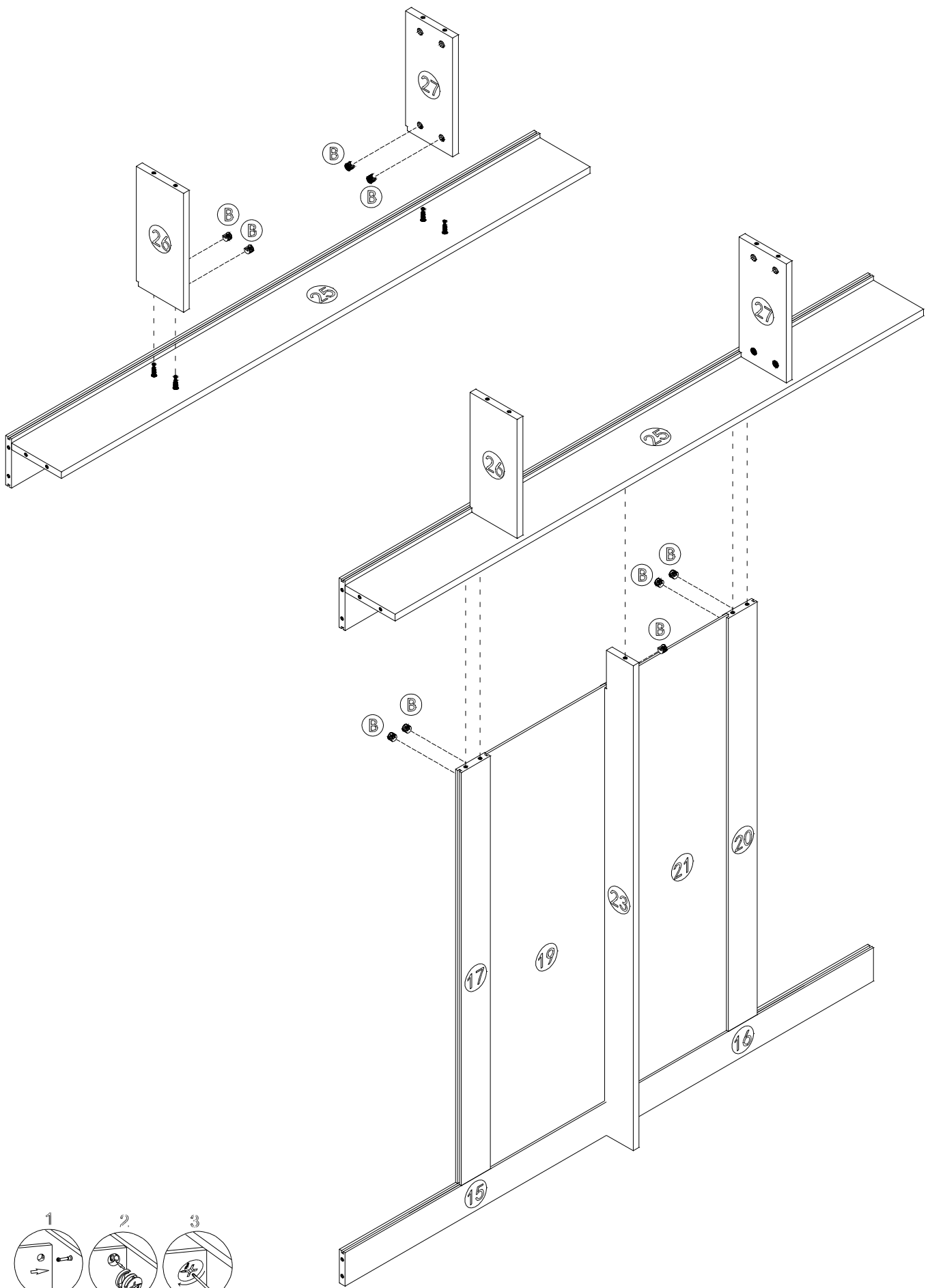


[× 13]

B



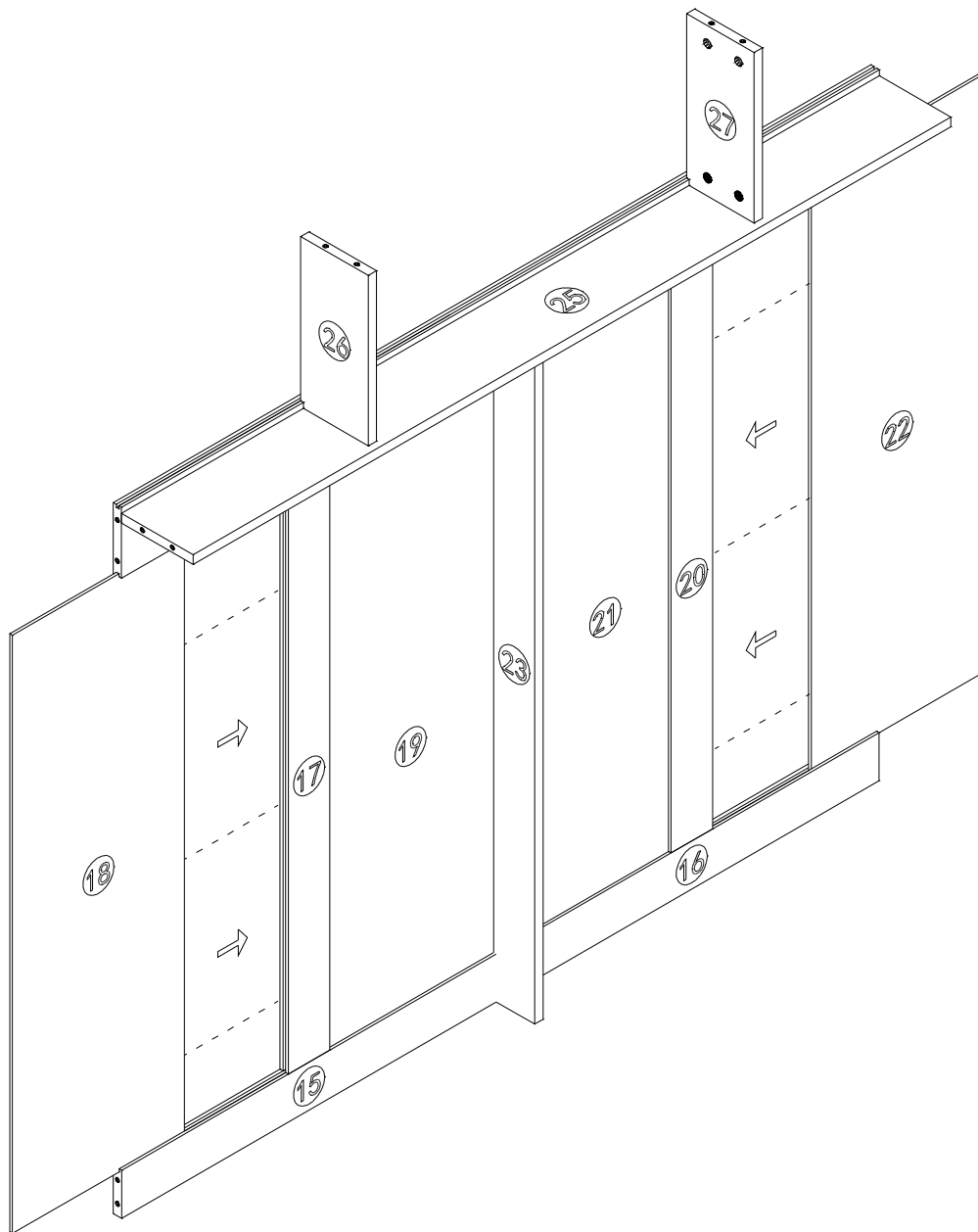
[× 4]

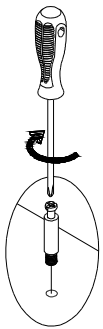
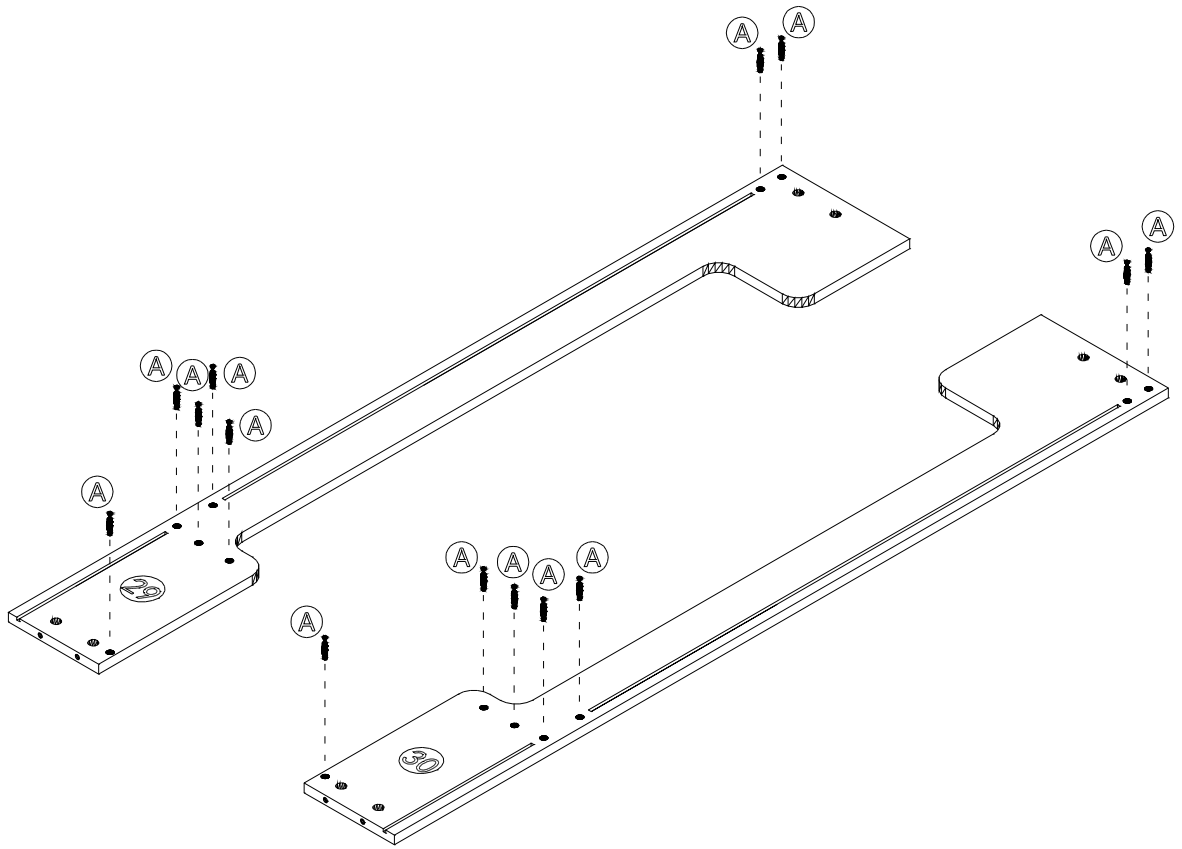


(B)

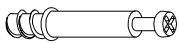


【×9】

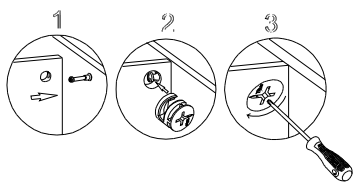
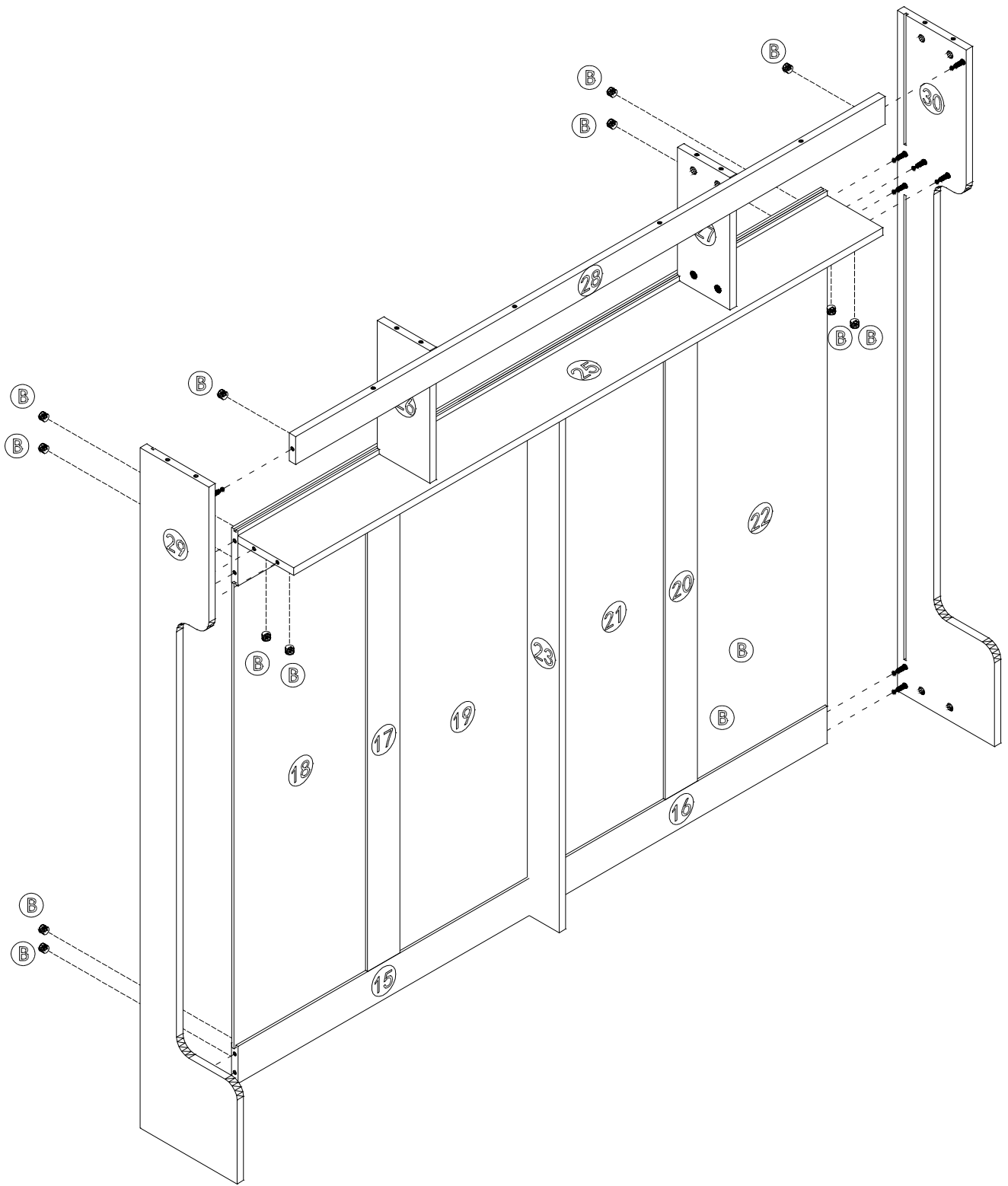




A



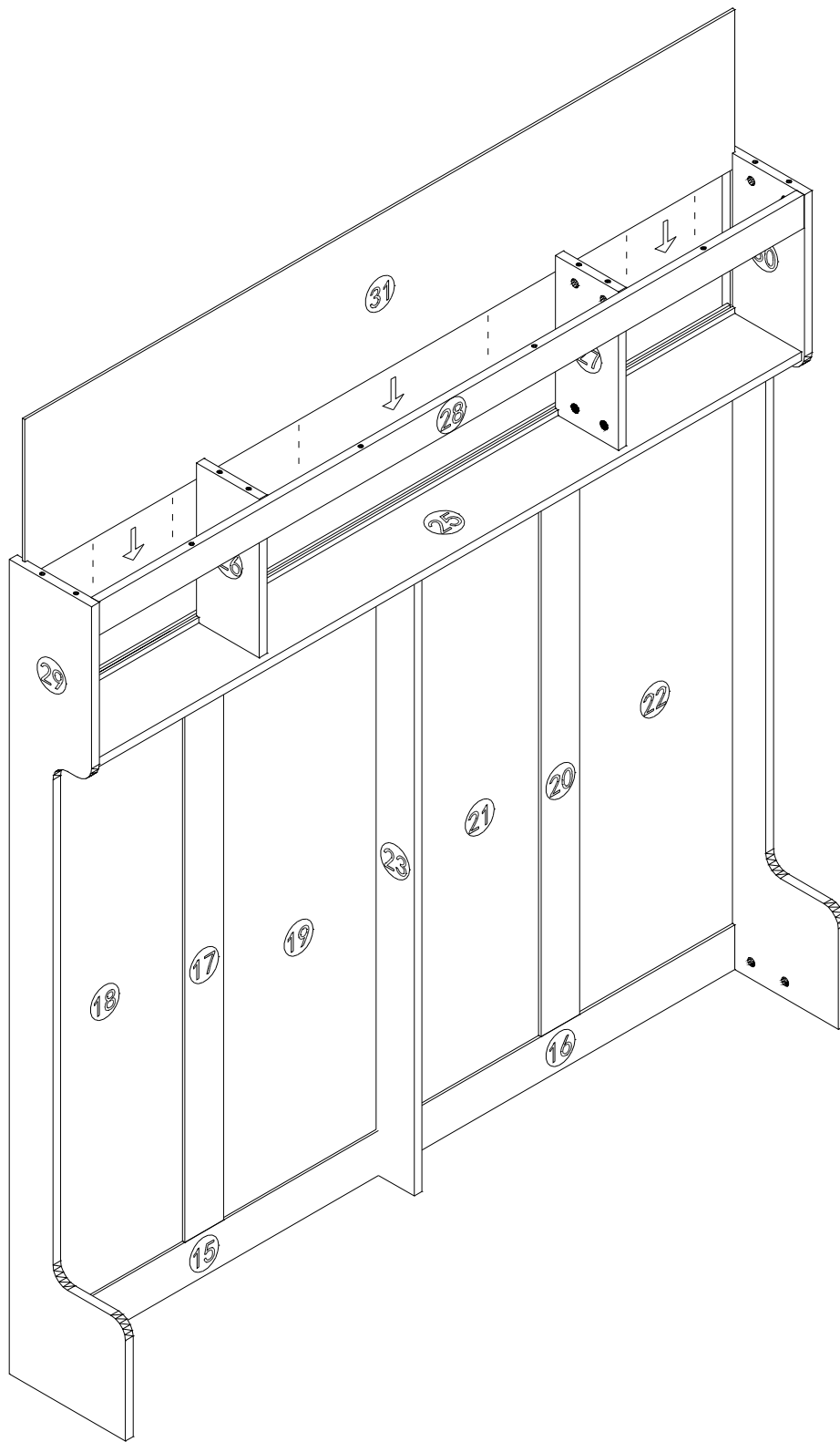
[× 14]

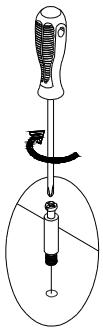
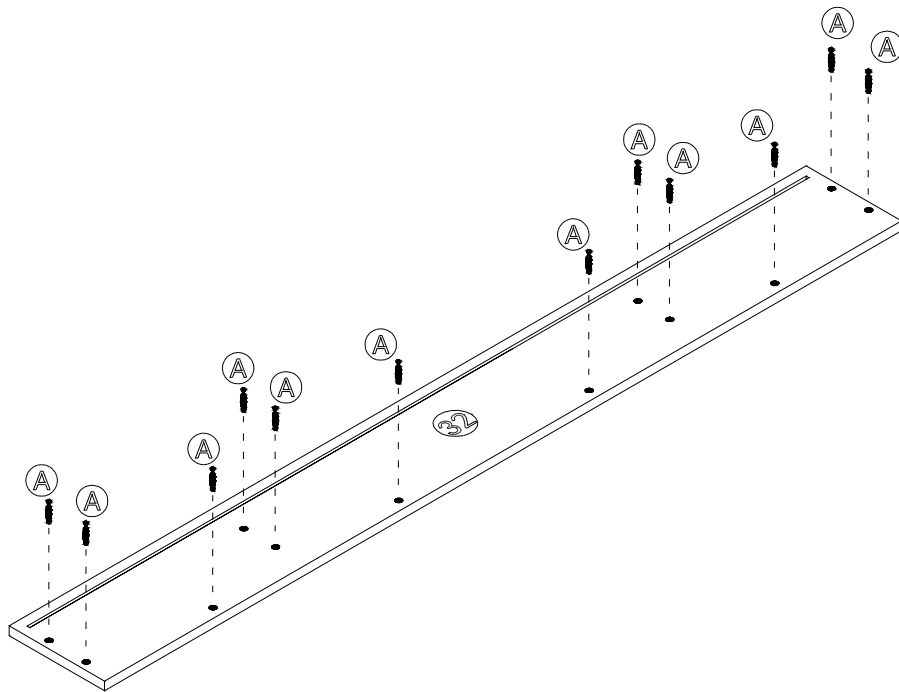


(B)



[× 14]

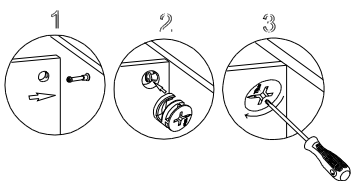
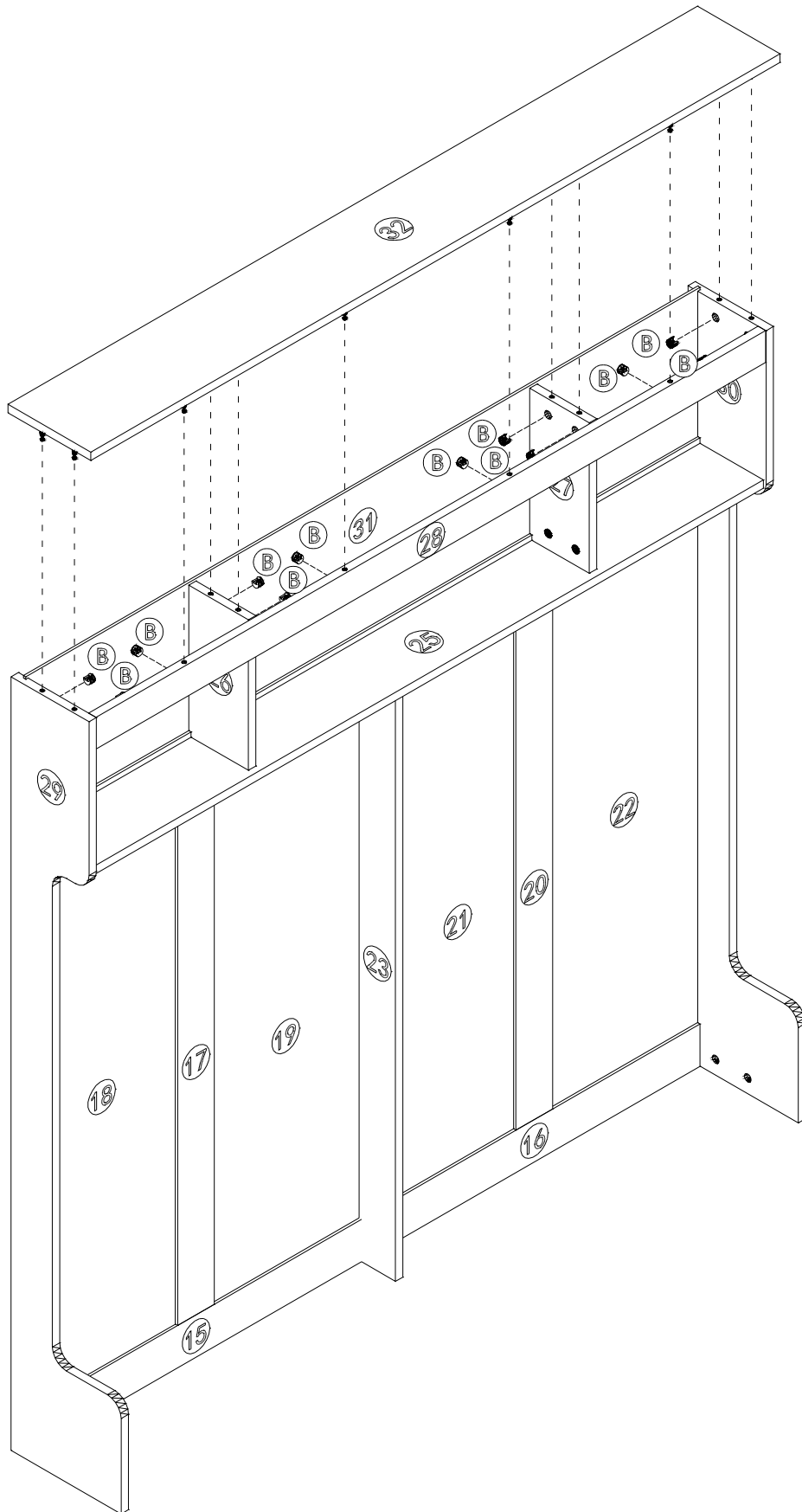




A



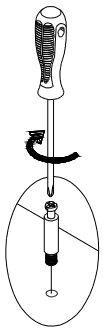
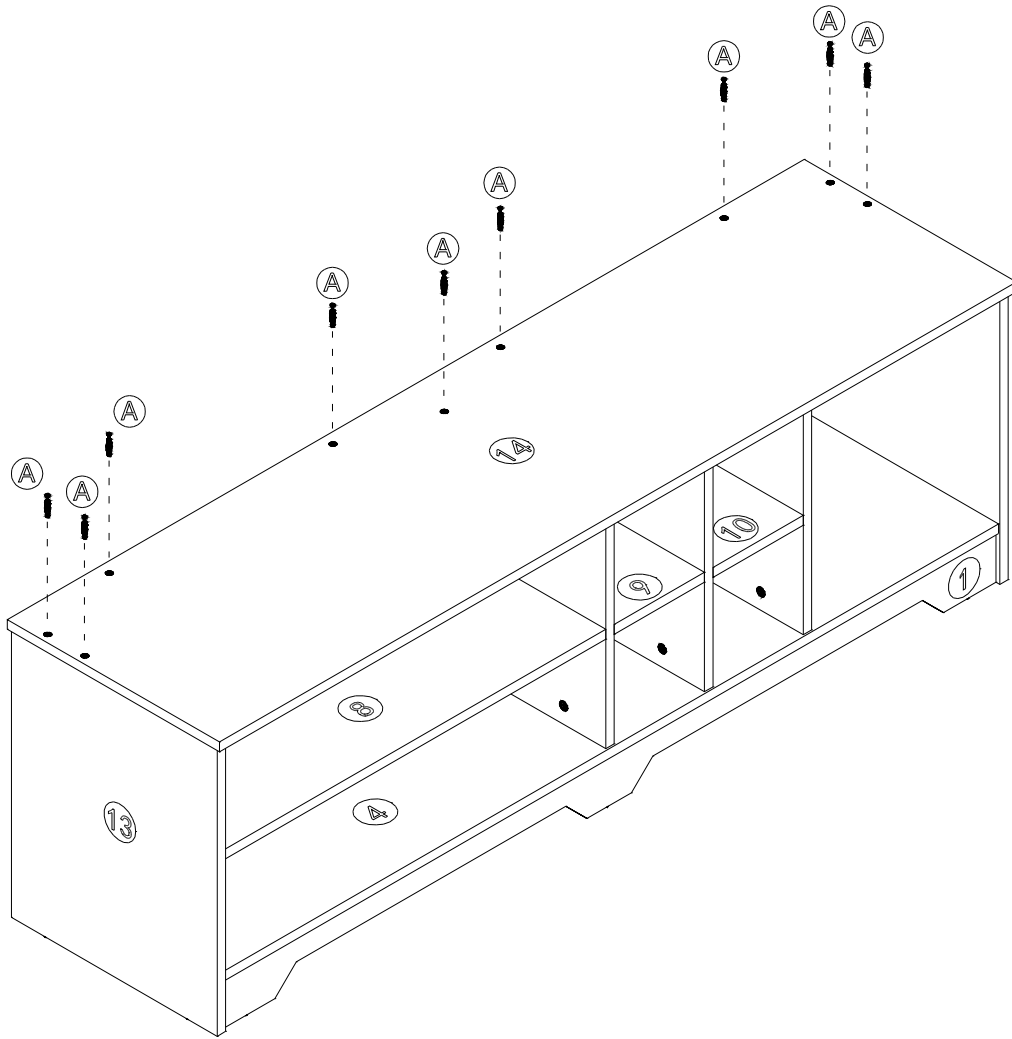
[× 12]



(B)



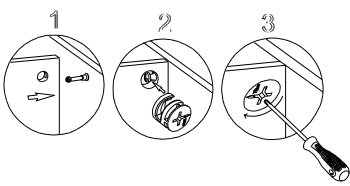
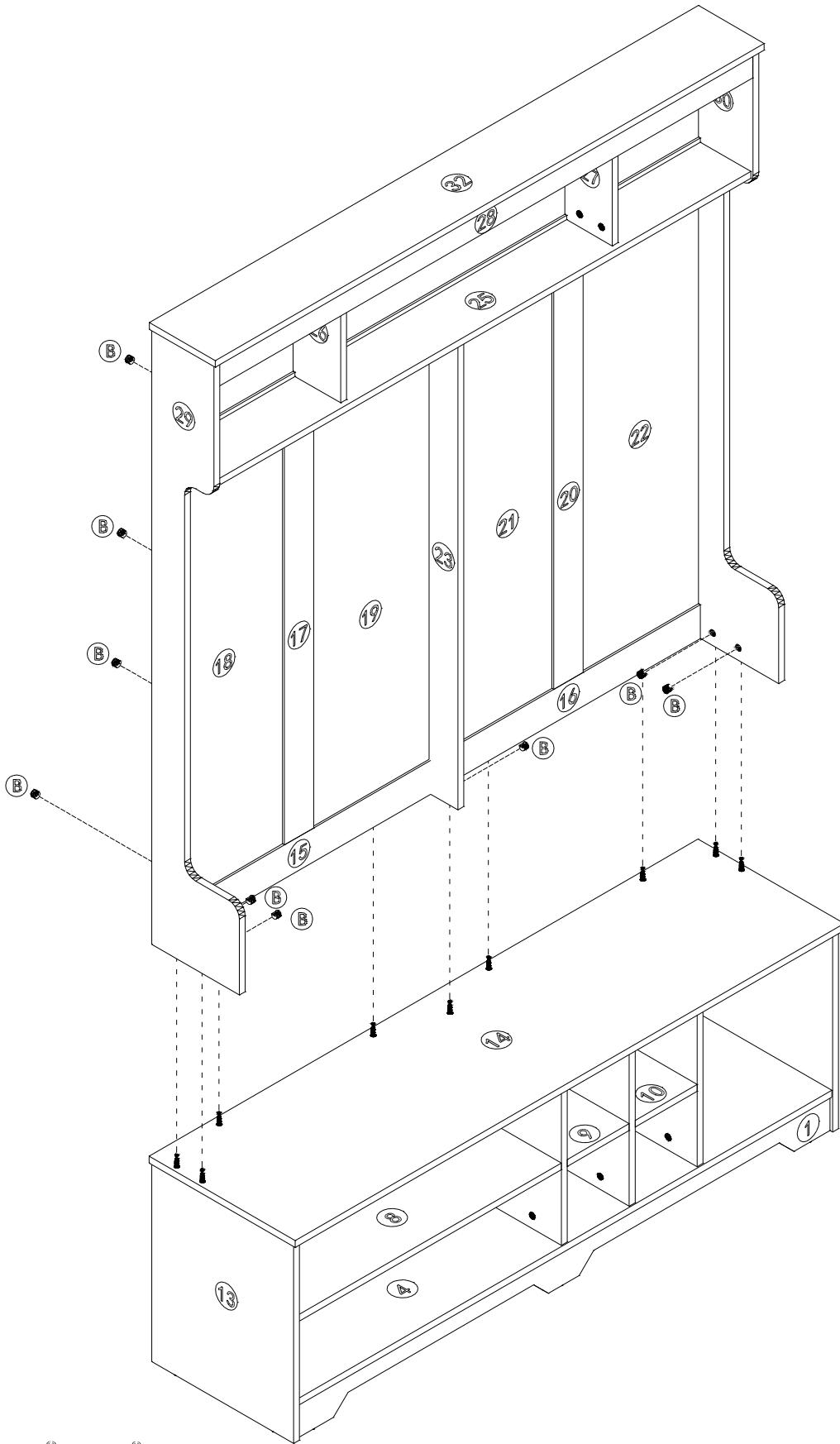
[×12]



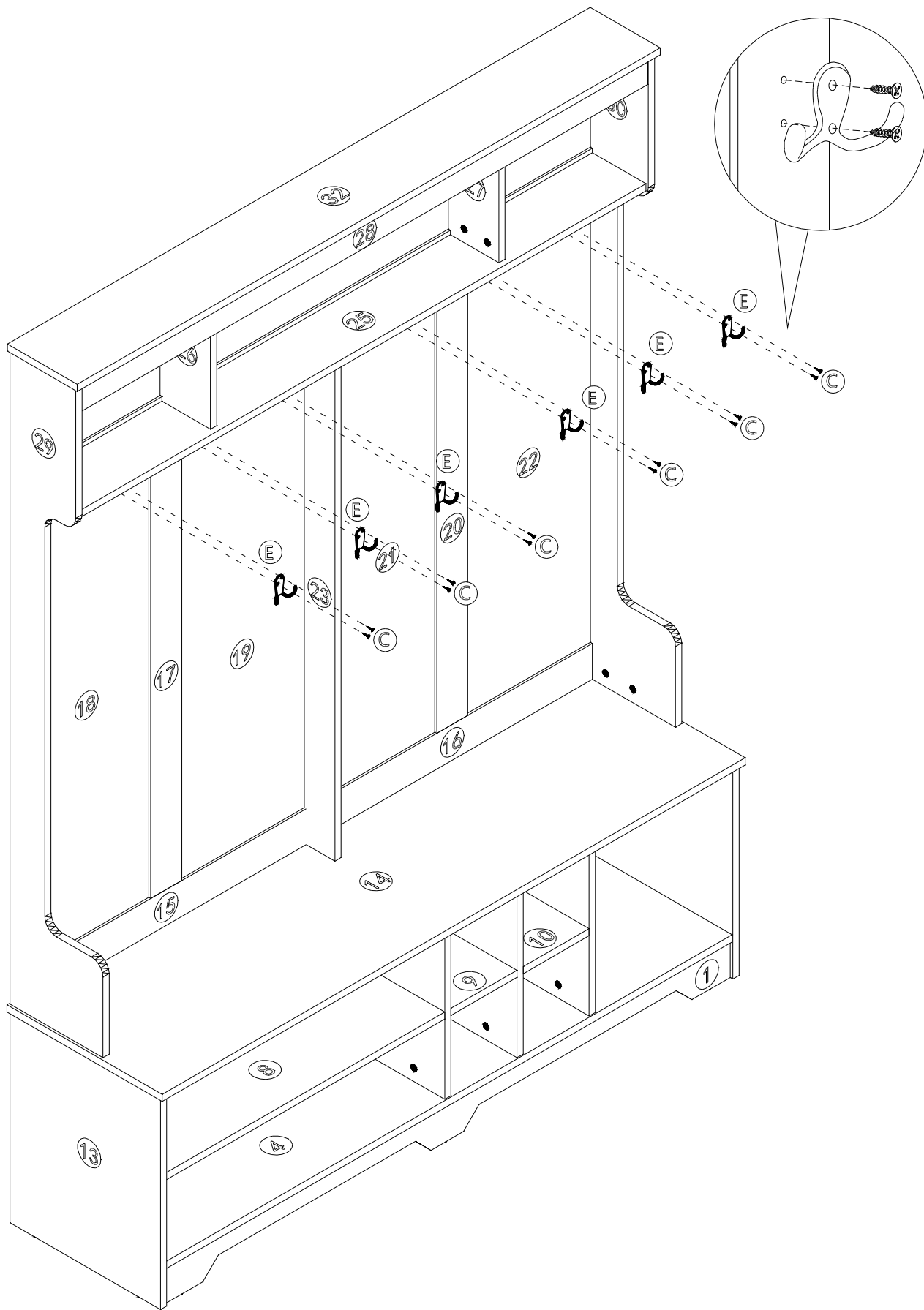
A

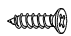


[× 9]

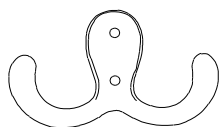


【×9】



Ⓒ  [×12]

Ⓔ



[×6]