



## Retro Fit Tools Kit for LR2 Sling Rack LR2TR

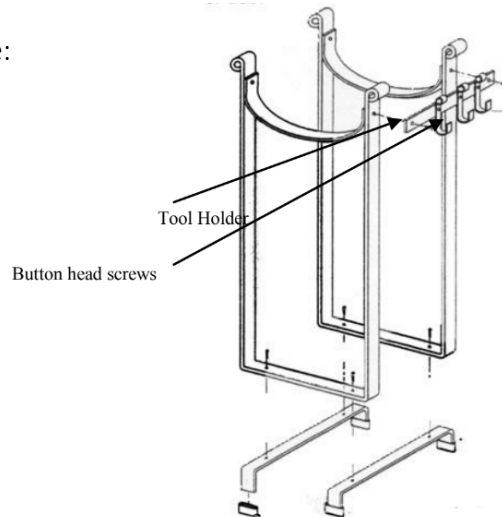


If you need assistance, please call 1-877-ENCLUME  
**Enclume Design Products**  
24 Colwell Street, Port Hadlock, WA 98339

Enclosed you will find everything needed for the assembly of your tools kit. Two people make assembly easier.

The parts and hardware included are:

- 1 Tool holder
- 1 – Shovel
- 1 Poker
- 2 – 3/8" x 3/4" Button head screws
- 1 Broom
- 1 – 7/32" Allen wrench



### ASSEMBLY INSTRUCTIONS

- 1) Using the Allen wrench, remove the button head screw from one side of each upright to detach the kindling holder. Discard the screws. Loosen but do not remove the screws on the opposite side.
- 2) Attach the tool holder to the outside of the rectangular piece by inserting the 3/4" screw from the outside, through the tool holder, the upright and into the kindling holder. Repeat on the other side. Tighten the screws only finger tight.
- 3) Square up the rack and tighten all screws.
- 4) Hang the tools on the tool holder hooks.
- 5) Use the kindling holder for kindling only. **DO NOT** stack logs in the kindling holder.
- 6) To clean your rack, use a damp cloth and dry it thoroughly. If a touch-up is ever necessary, remove any dirt or rust with steel wool and re-coat with a "Pledge" like wax product.

**WARNING:** It is important that your tools kit is assembled correctly. If the unit is assembled or used incorrectly, it could become unstable and collapse, possibly causing injury.

**LIMITED WARRANTY:** This product is warranted to be free of material defects, other than that from normal use, for a period of five years from the date of purchase. Customer's exclusive remedy shall be the repair or replacement of the defective product and shall be subject to the following conditions: (1) notice of any defect is received by Enclume within the warranty period and (2) customer returns the defective product to Enclume Design Products, 24 Colwell St., Port Hadlock, WA 98339, postage prepaid within 20 days following a return authorization number (which may be obtained by telephoning the number at the top of this instructions) being provided to the customer by Enclume. There are no other warranties, expressed or implied. THERE ARE NO WARRANTIES OF MERCHANTABILITY OR FITNESS FOR A PARTICULAR PURPOSE. ENCLUME SPECIFICALLY DISCLAIMS ANY AND ALL INCIDENTAL OR CONSEQUENTIAL DAMAGES ARISING OUT OF THE PURCHASE OR USE OF ENCLUME'S PRODUCTS.