

# KINCAID®

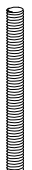


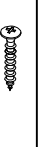
-SOLID WOOD SINCE 1946-

www.kincaidfurniture.com  
phone :828-728-3261.

## ASSEMBLY INSTRUCTION

161-304/305 Allenby Panel Bed 5/0  
161-306/307 Allenby Panel Bed 6/6  
161-306/308 Allenby Panel Bed 6/0

### HARDWARE LIST

A		Threaded Bolt	Ø5/16"*4"	8 PCS
B		Curved Washer Nut	Ø5/16"	8 PCS
C		Spanner Wrench	12MM	1 PC
D		Screw	Ø8*1-1/4"	10 PCS

### IMPORTANT NOTES

- Place all wooden parts on clean and smooth surface such as rug or carpet to prevent the parts from being scratched.
- Check to be sure that you have all parts and hardware.
- Remove all wrapping materials, including staples and packing straps before you start to assemble.
- Do not tighten all screws and bolts until completely assembled.
- Keep all hardware out of the reach of children

### INSTRUCTION:

- STEP 1.** Screw the bolts (A) into the two threaded holes that are at the bottom of the posts of bolt the headboard and the footboard. Slide the bed rail onto the two bolts (A) on one of the bed posts until the bolts (A) are visible through the holes on the inside of the bed rail. See Figure 1.
- STEP 2.** Slide a curved washer nut (B) onto the bolts (A) through the holes in the bed rail. Tighten all curved washer nuts (B) by the spanner wrench (C).  
See Figure 1.
- STEP 3.** Assemble the leg supports to the bed slats. See Figure 2.
- STEP 4.** Mount the assembled support slats onto the side rail with screws (D). Then use a phillips head screwdriver to tighten screws. See Figure 3.

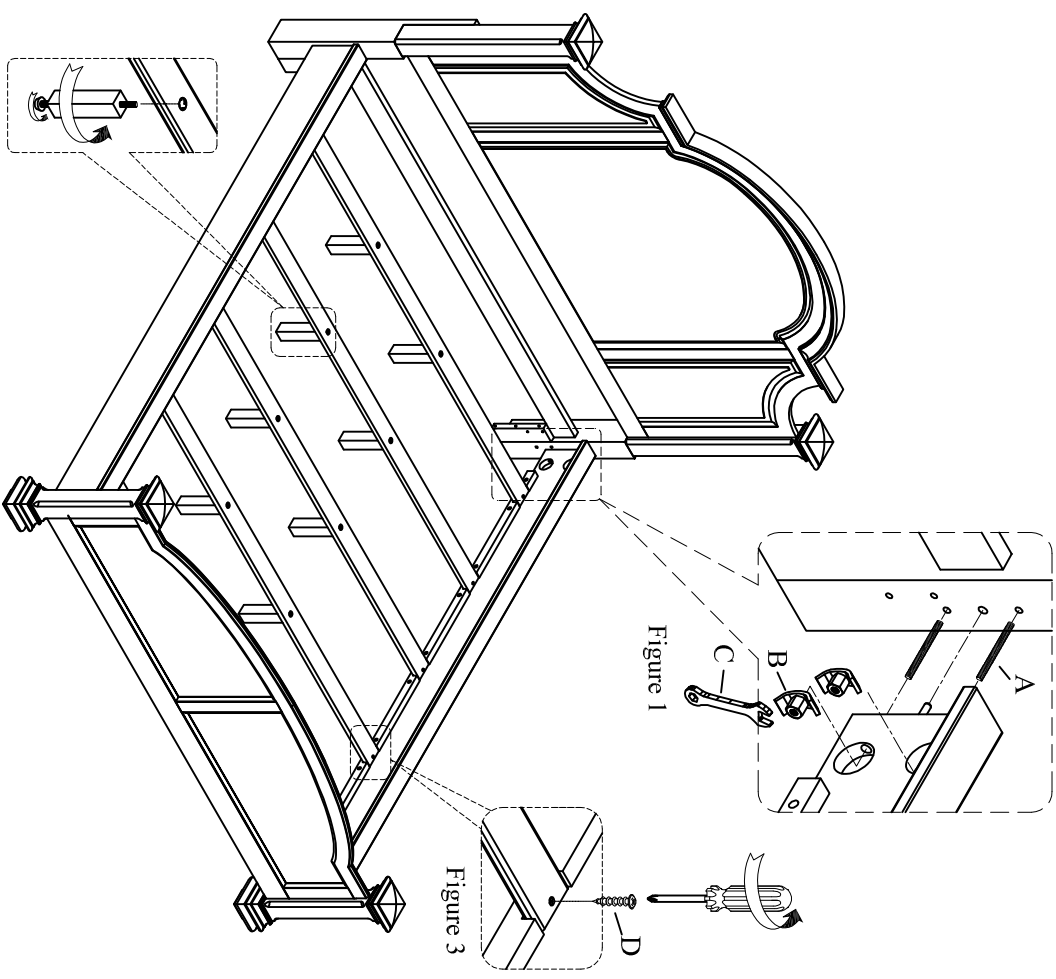


Figure 2

Figure 1

Figure 3

MADE IN VIETNAM