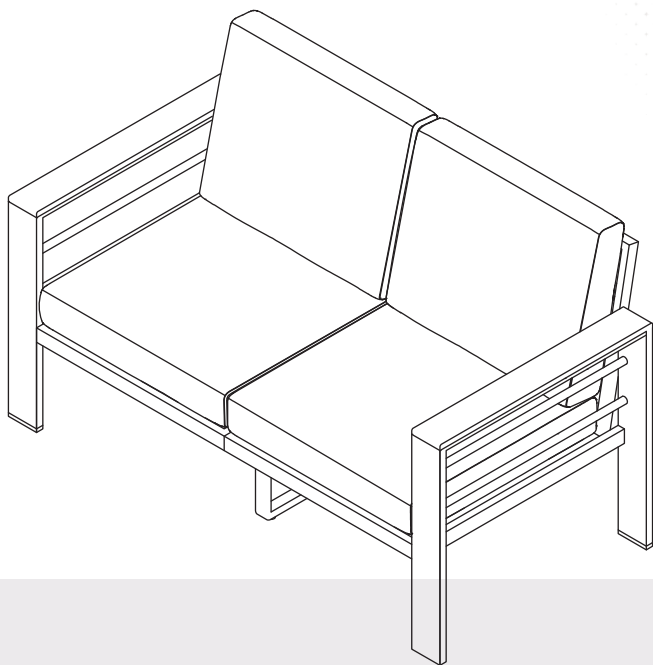


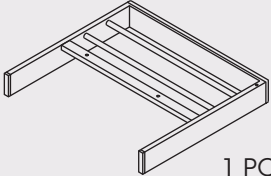
# MANUAL INSTRUCTION

Aluminum double seat sofa



# PARTS

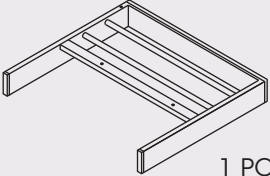
**A** Right Armrest



1 PC

The diagram shows a right armrest component, which is a rectangular frame with a flat top surface and a vertical backrest section on the right side.

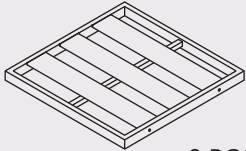
**B** Left Armrest



1 PC

The diagram shows a left armrest component, which is a rectangular frame with a flat top surface and a vertical backrest section on the left side.

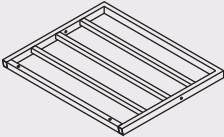
**C** Seat plate



2 PCS

The diagram shows two seat plates, which are rectangular frames with a flat top surface and a vertical backrest section.

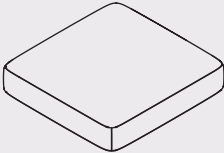
**D** Back plate



2 PCS

The diagram shows two back plates, which are rectangular frames with a flat top surface and a vertical backrest section.

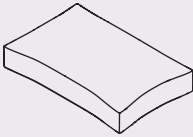
**E** Seat cushion



2 PCS

The diagram shows two seat cushions, which are rectangular pads with a slightly curved top surface.

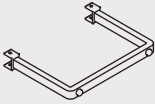
**F** Back cushion



2 PCS

The diagram shows two back cushions, which are rectangular pads with a slightly curved top surface.

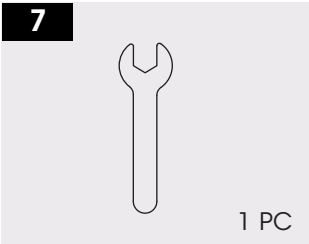
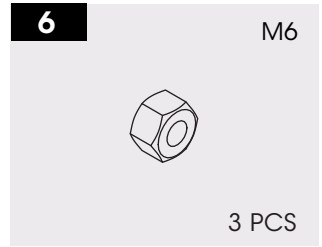
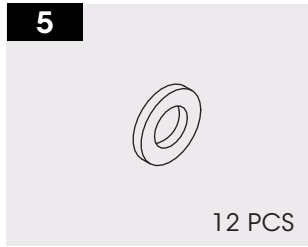
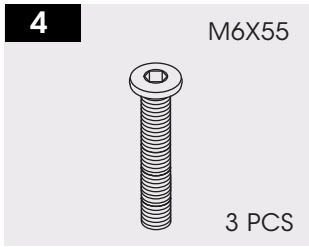
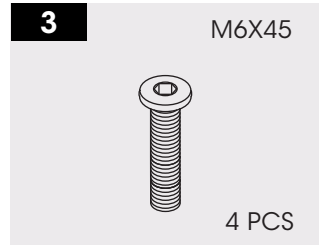
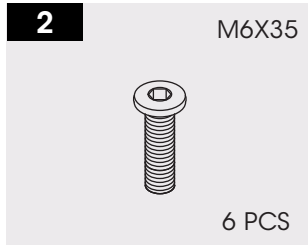
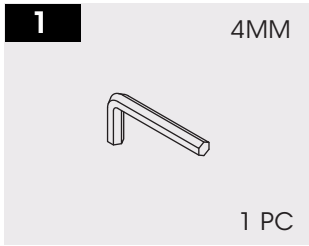
**G** Middle leg



1 PC





The diagram shows a middle leg component, which is a U-shaped frame with a flat top surface and a vertical backrest section.

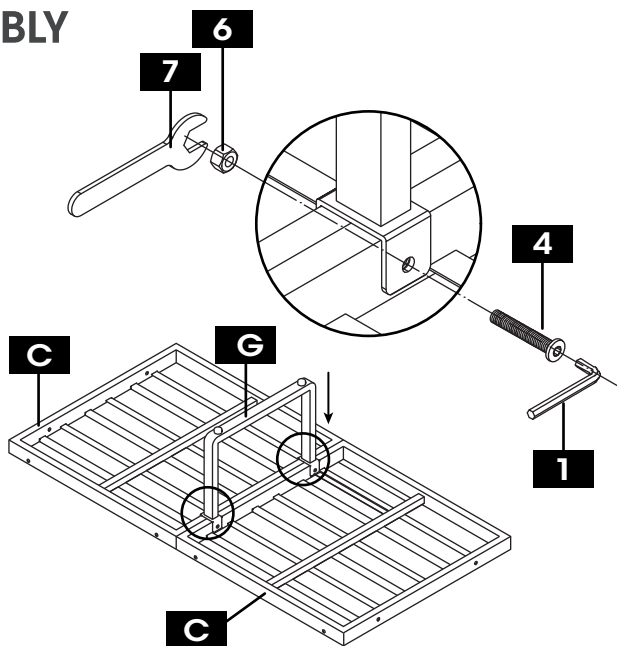
# HARDWARE



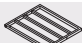



# I PRODUCT ASSEMBLY

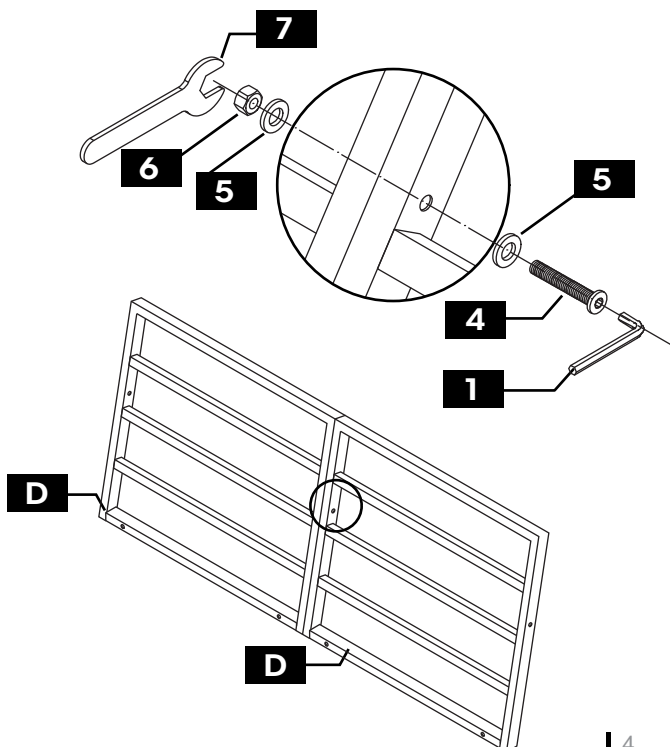
## 1 Step 1

PART	NO.	QTY.
	<b>C</b>	2
	<b>G</b>	1
	<b>4</b>	2
	<b>6</b>	2





## 2 Step 2

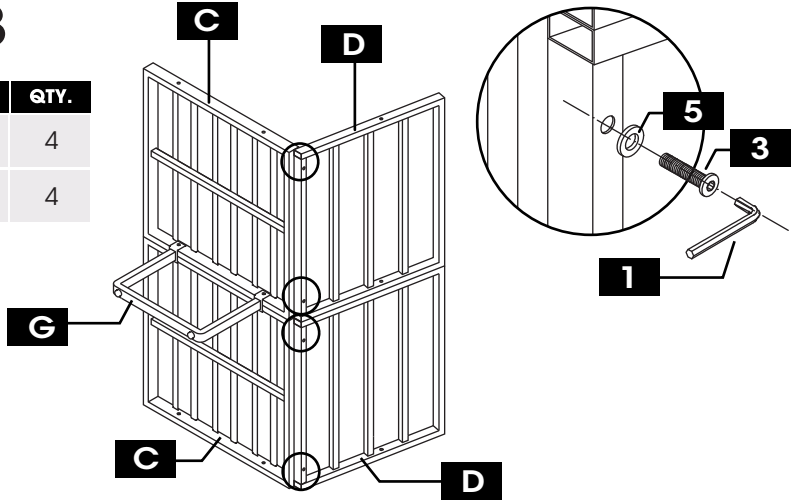
PART	NO.	QTY.
	<b>D</b>	2
	<b>4</b>	1
	<b>5</b>	2
	<b>6</b>	1






# PRODUCT ASSEMBLY

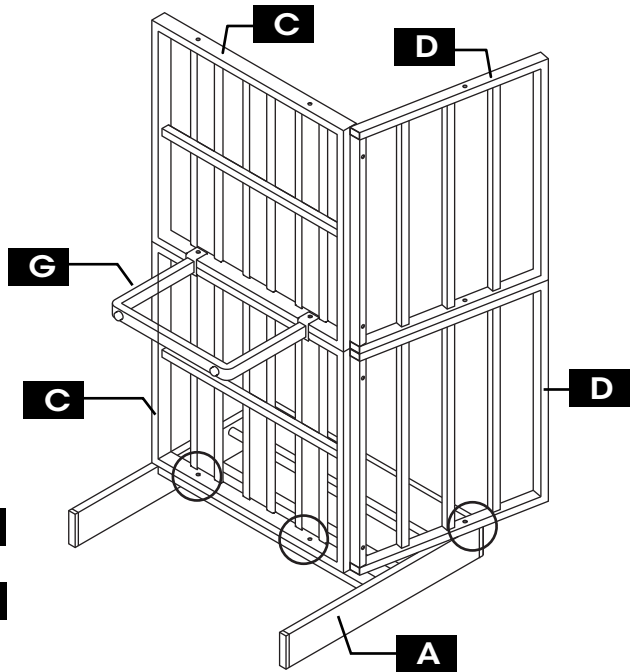
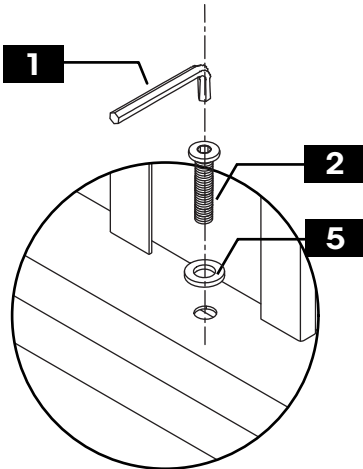
## 3 Step 3

PART	NO.	QTY.
	<b>3</b>	4
	<b>5</b>	4






## 4 Step 4

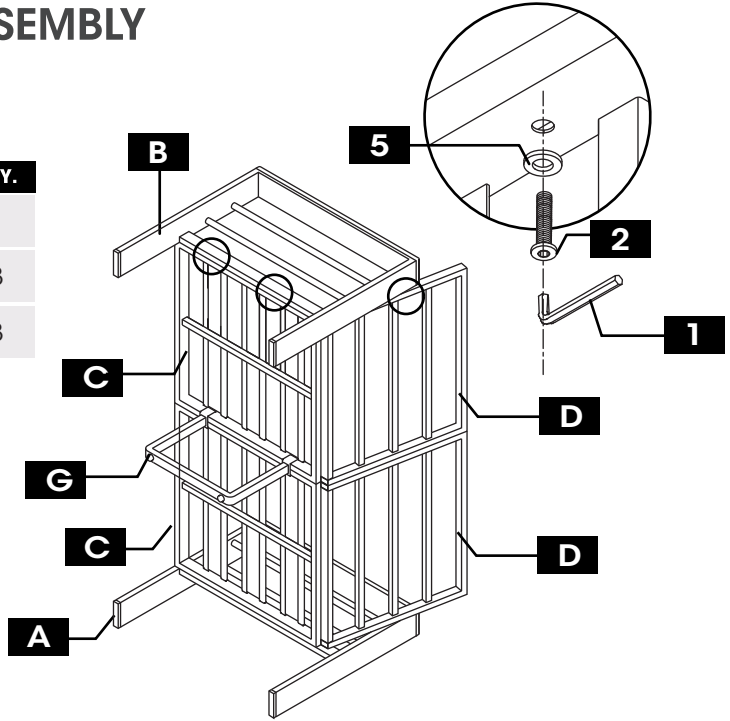
PART	NO.	QTY.
	<b>A</b>	1
	<b>5</b>	3
	<b>2</b>	3





# I PRODUCT ASSEMBLY

## 5 Step 5

PART	NO.	QTY.
	<b>B</b>	1
	<b>5</b>	3
	<b>2</b>	3



## 6 Step 6

PART	NO.	QTY.
	<b>F</b>	2
	<b>E</b>	2

