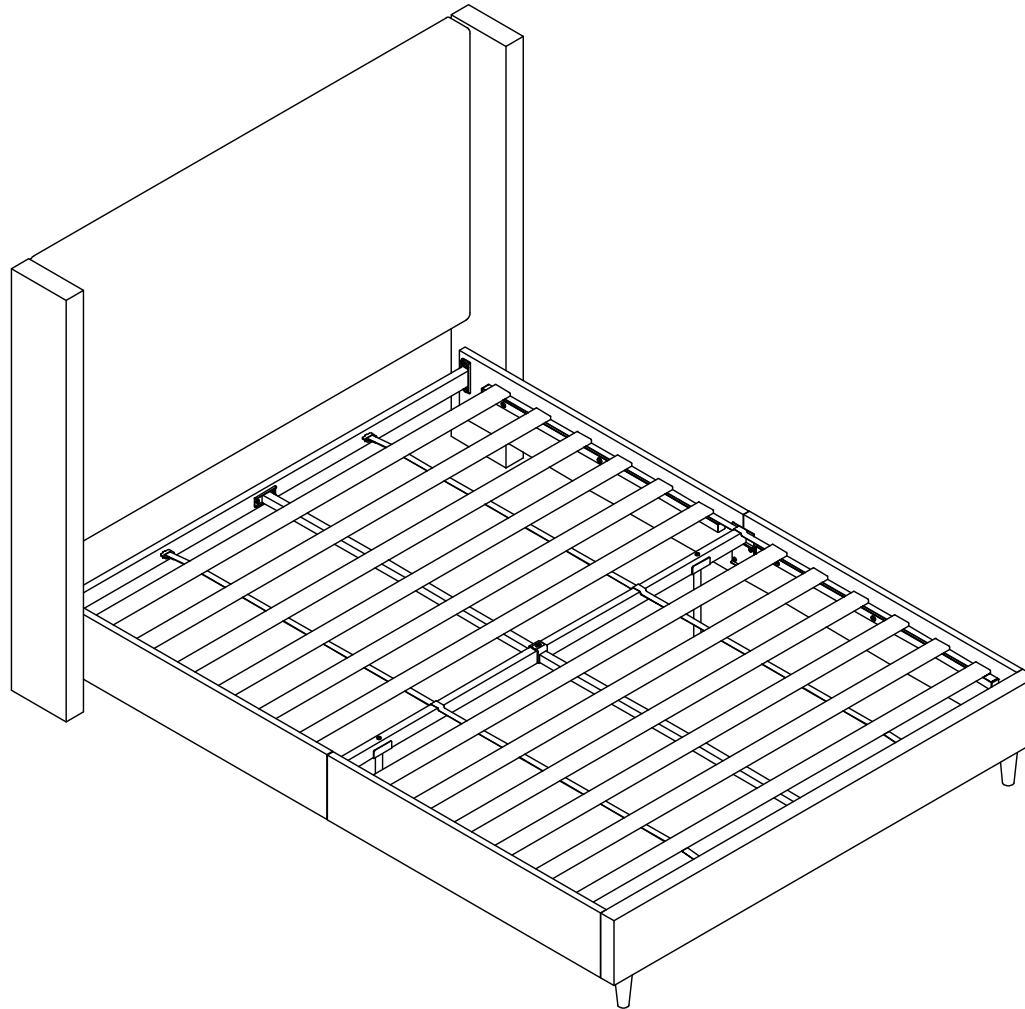


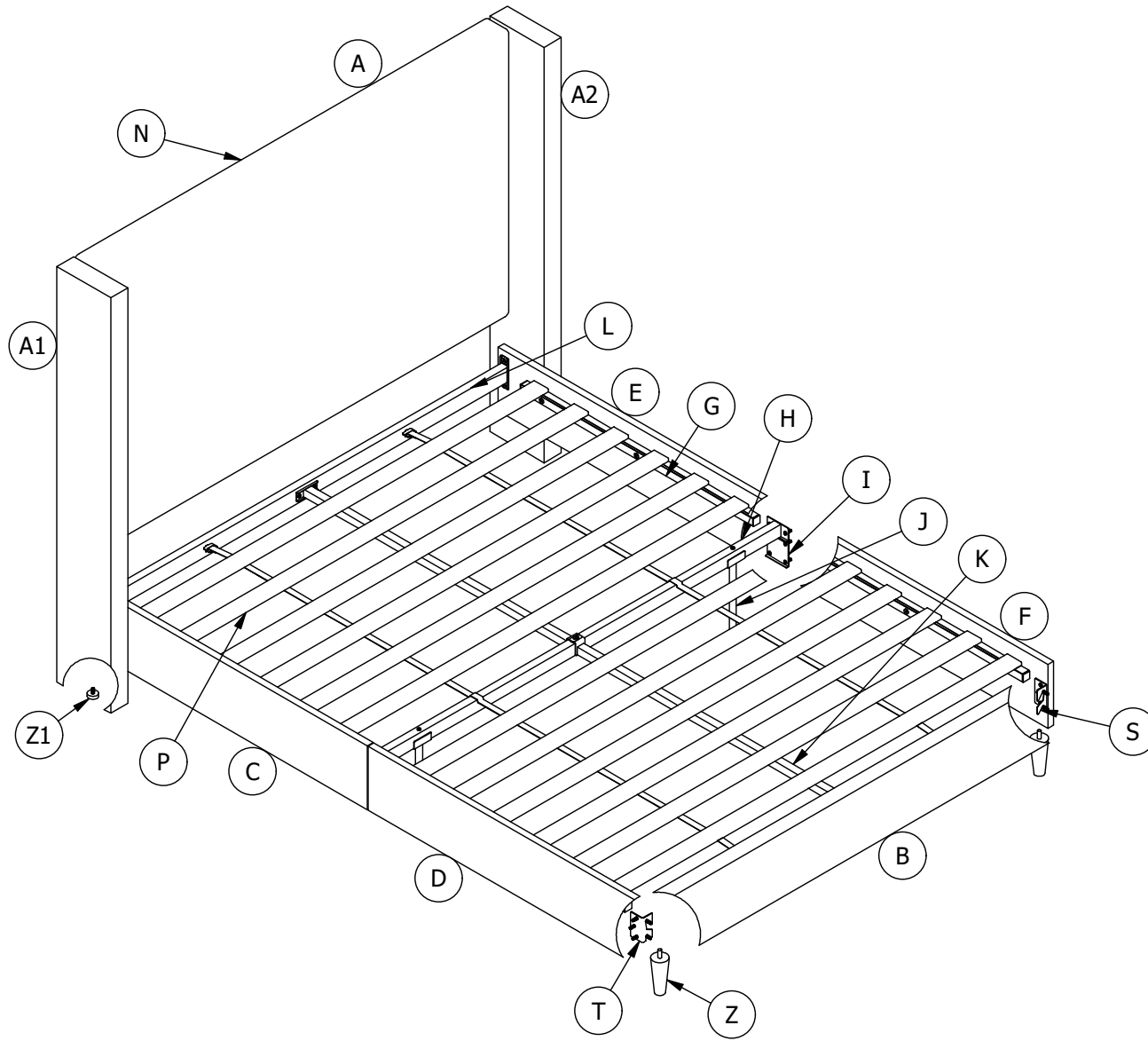
PPSTN040B704/PPSTN040B714/PPSTN040B1024

Upholstered Bed Full

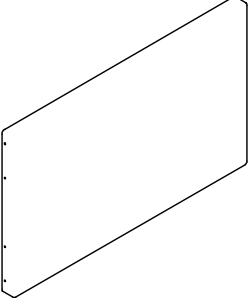
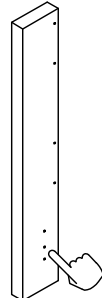
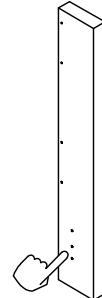
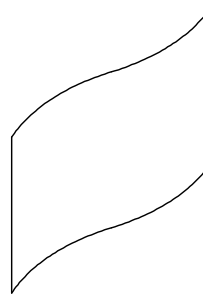
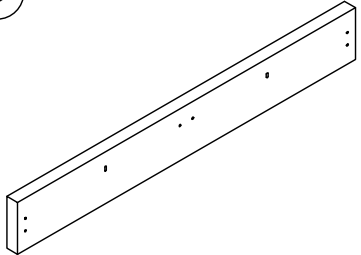
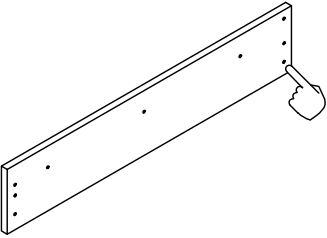
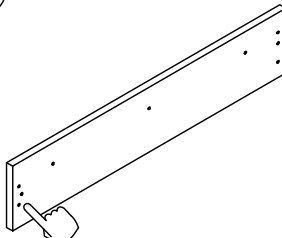
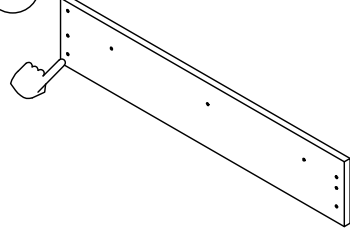
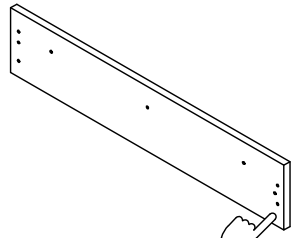
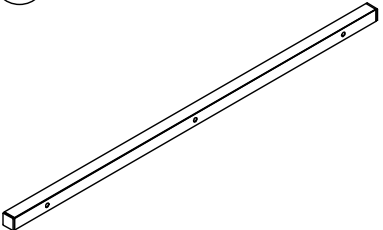
Weight Limit:
Bed: 1000LBS / 454KG



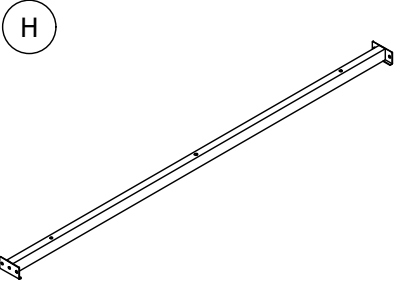
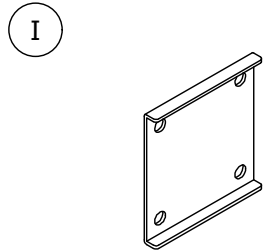
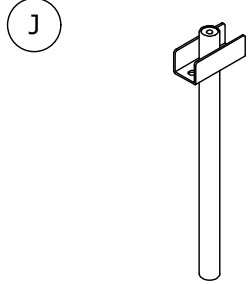
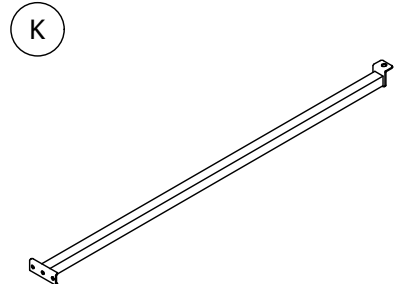
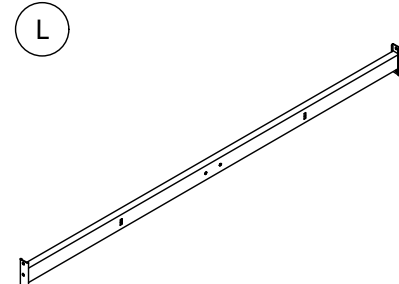
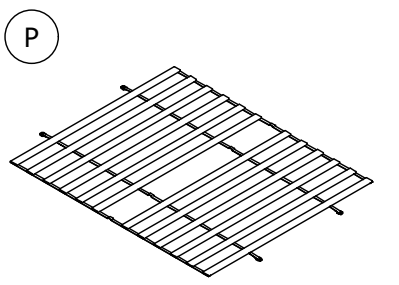
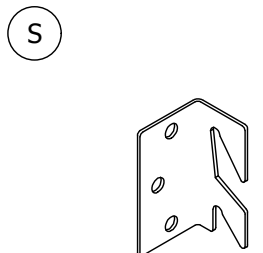
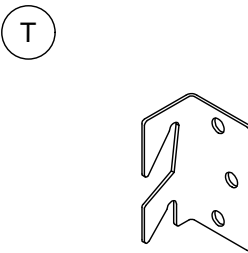
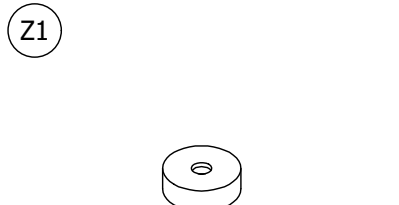
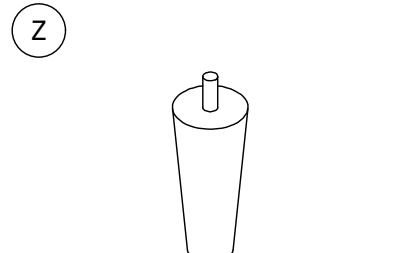
PARTS




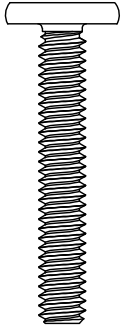
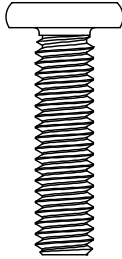
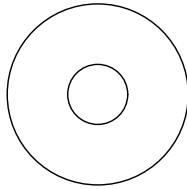


PARTS LIST

 <p>Diagram A shows a rectangular headboard with a slightly curved top edge and a small notch on the left side.</p>	 <p>Diagram A1 shows a vertical side board with a notch at the bottom right corner.</p>	 <p>Diagram A2 shows a vertical side board with a notch at the bottom left corner.</p>	 <p>Diagram N shows a curved back cover with a wavy, undulating shape.</p>	 <p>Diagram B shows a long, narrow footboard with a notch at the bottom right corner.</p>
<p>Headboard 1 PC</p>	<p>Side Board 1 PC</p>	<p>Side Board 1 PC</p>	<p>Back Cover 1 PC</p>	<p>Footboard 1 PC</p>
 <p>Diagram C shows a long, narrow side panel with a notch at the bottom right corner.</p>	 <p>Diagram D shows a long, narrow side panel with a notch at the bottom left corner.</p>	 <p>Diagram E shows a long, narrow side panel with a notch at the top left corner.</p>	 <p>Diagram F shows a long, narrow side panel with a notch at the bottom right corner.</p>	 <p>Diagram G shows a long, narrow side rail with a notch at the bottom right corner.</p>
<p>Side Panel 1 PC</p>	<p>Side Panel 1 PC</p>	<p>Side Panel 1 PC</p>	<p>Side Panel 1 PC</p>	<p>Side Rail 4 PCS</p>

PARTS LIST

				
<p>Center Rail 1 PC</p>	<p>Connector 2 PCS</p>	<p>Support Leg 2 PCS</p>	<p>Center Rail 2 PCS</p>	<p>End Rail 1 PC</p>
				
<p>Wooden Slats 1 PC</p>	<p>Bracket 1 PC</p>	<p>Bracket 1 PC</p>	<p>Foot 2 PCS</p>	<p>Leg 2 PCS</p>

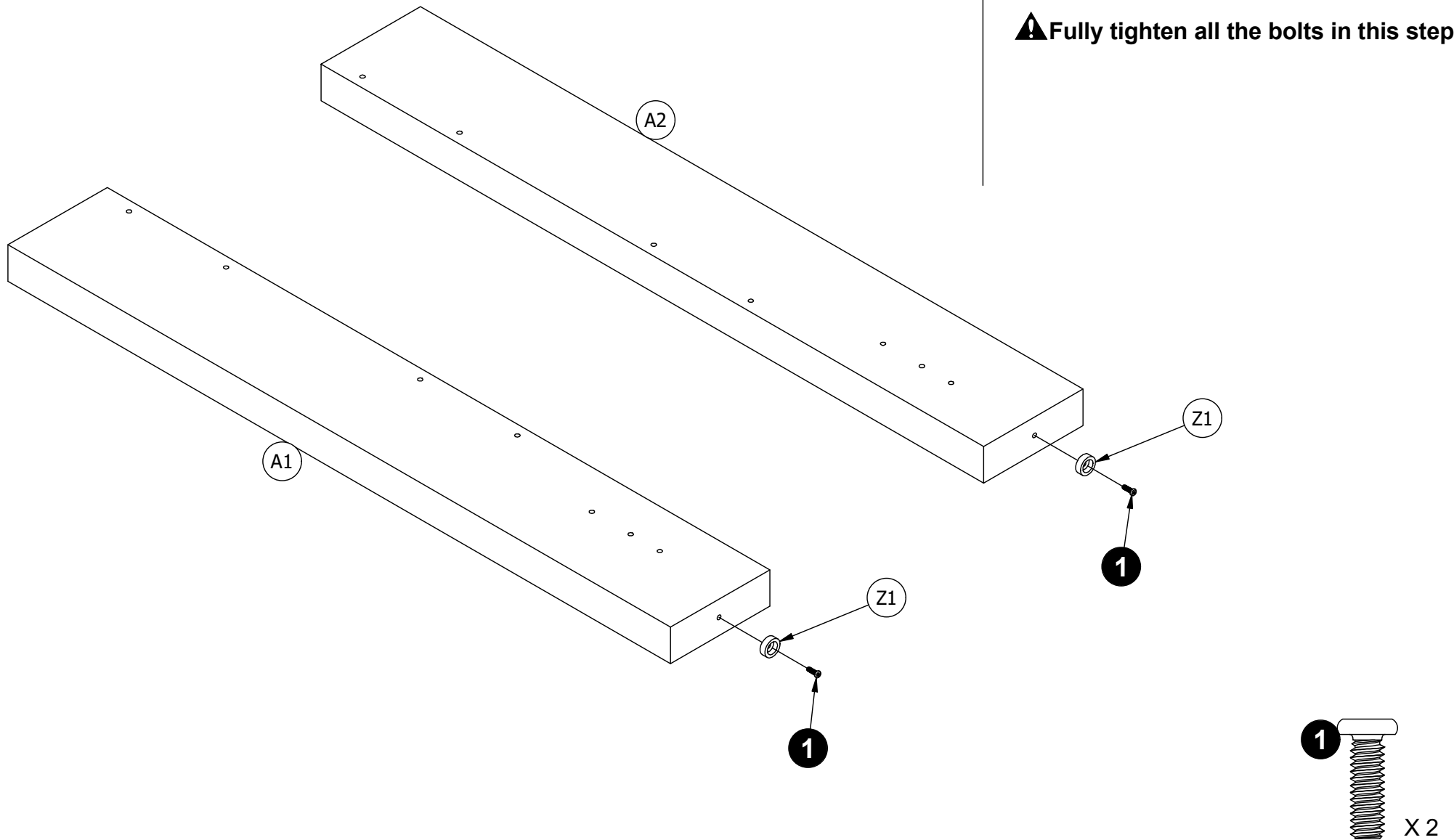
HARDWARE LIST

<p>1</p>  <p>1/4" X 3/4" Bolt 34 PCS</p>	<p>2</p>  <p>1/4" X 1 9/16" Bolt 26 PCS</p>	<p>3</p>  <p>5/16" X 1 3/16" Bolt 1 PC</p>	<p>4</p>  <p>1/4" Metal Washer 14 PCS</p>	<p>5</p>  <p>1/4" Spring Washer 6 PCS</p>
<p>6</p>  <p>4mm Allen Key 1 PC</p>				

Step 1

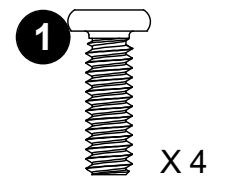
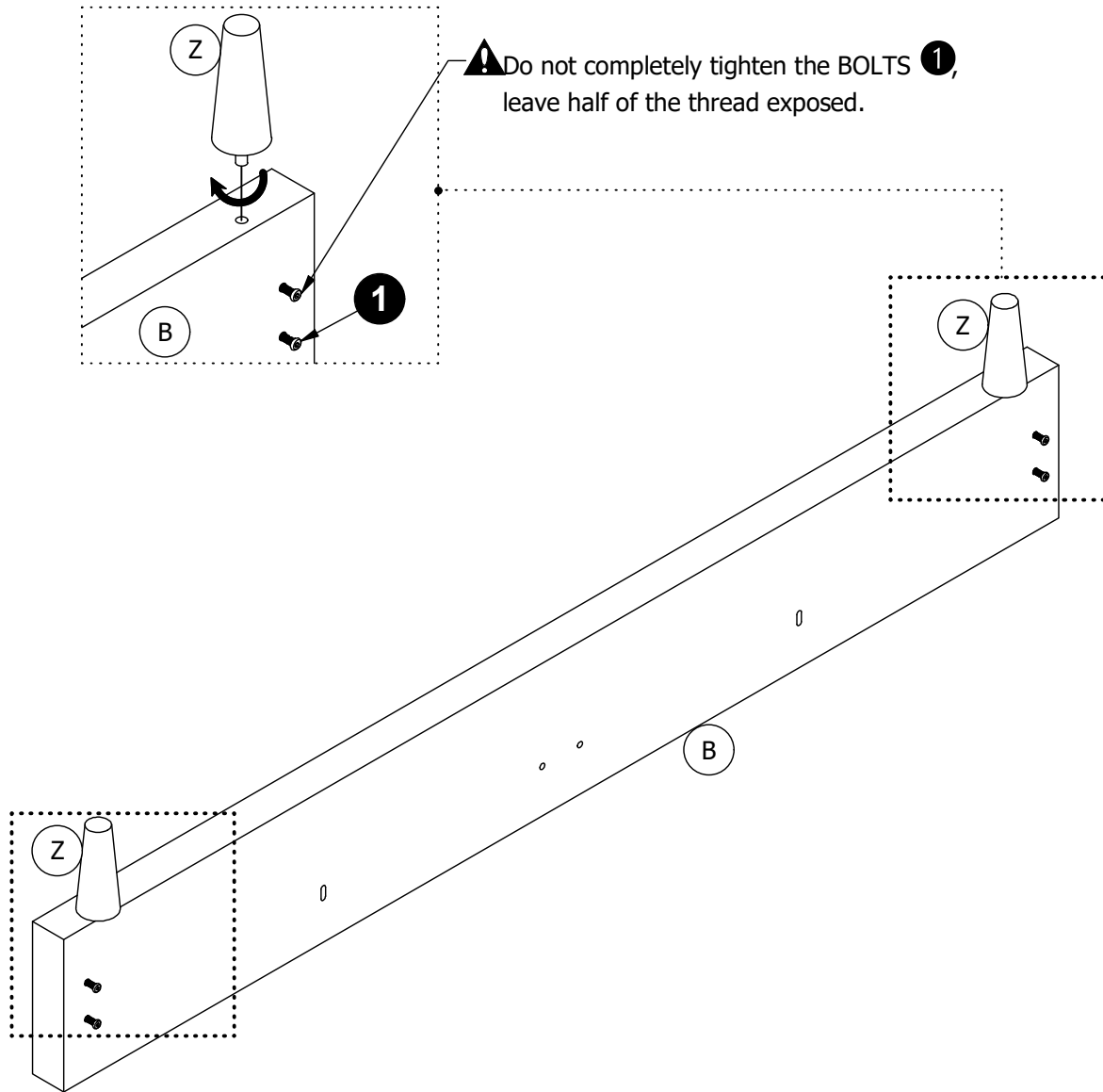
Attach **Z1** x 2 to **A1** and **A2** with **1**.

⚠ Fully tighten all the bolts in this step.



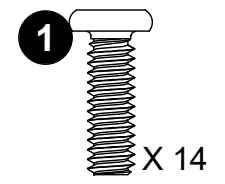
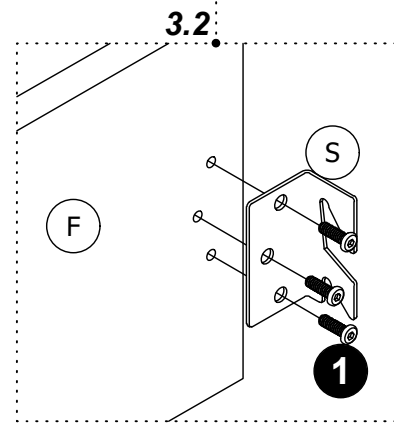
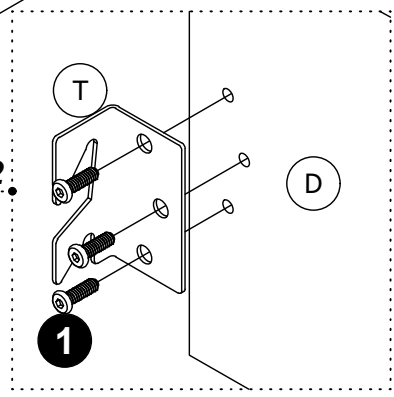
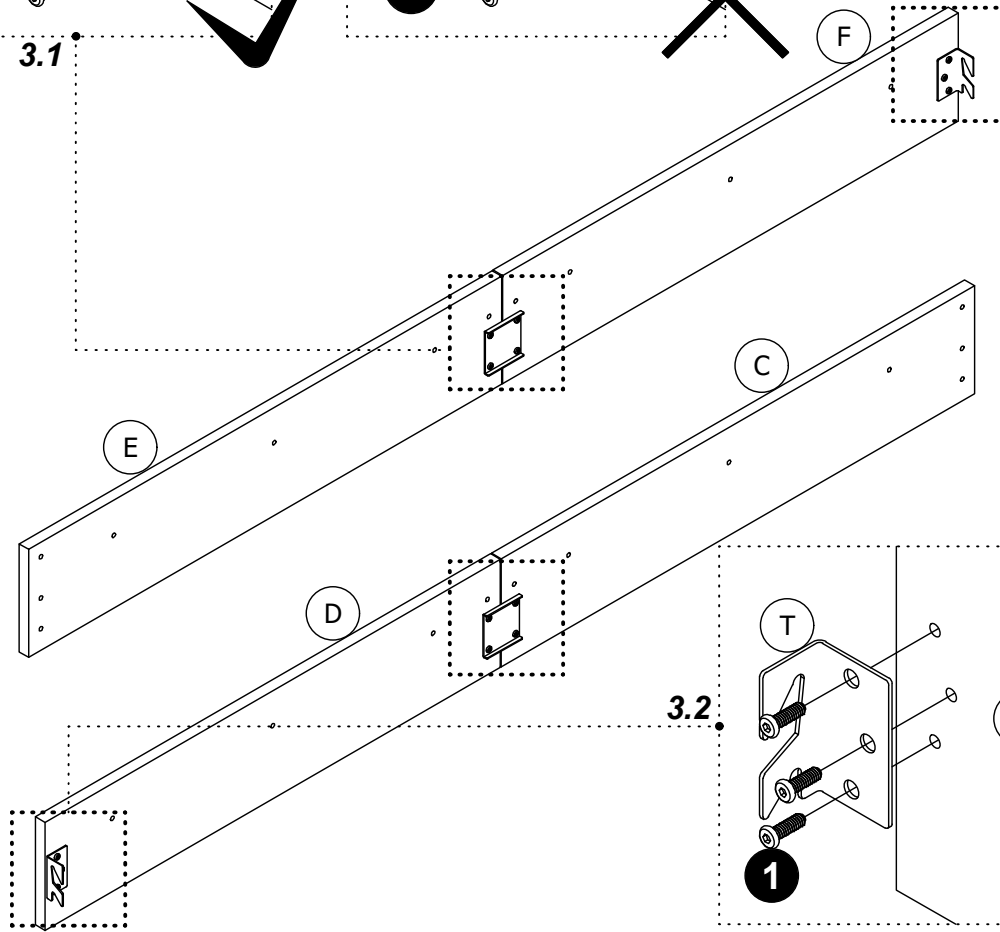
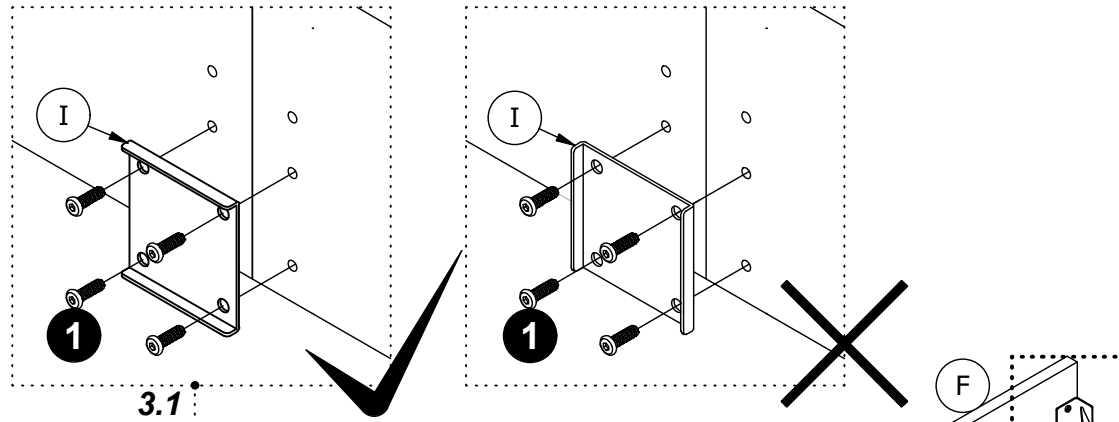
Step 2

Attach **Z x 2** to **B**.
Screw **1** into **B** as illustrated, making sure
to leave half of the threads exposed.



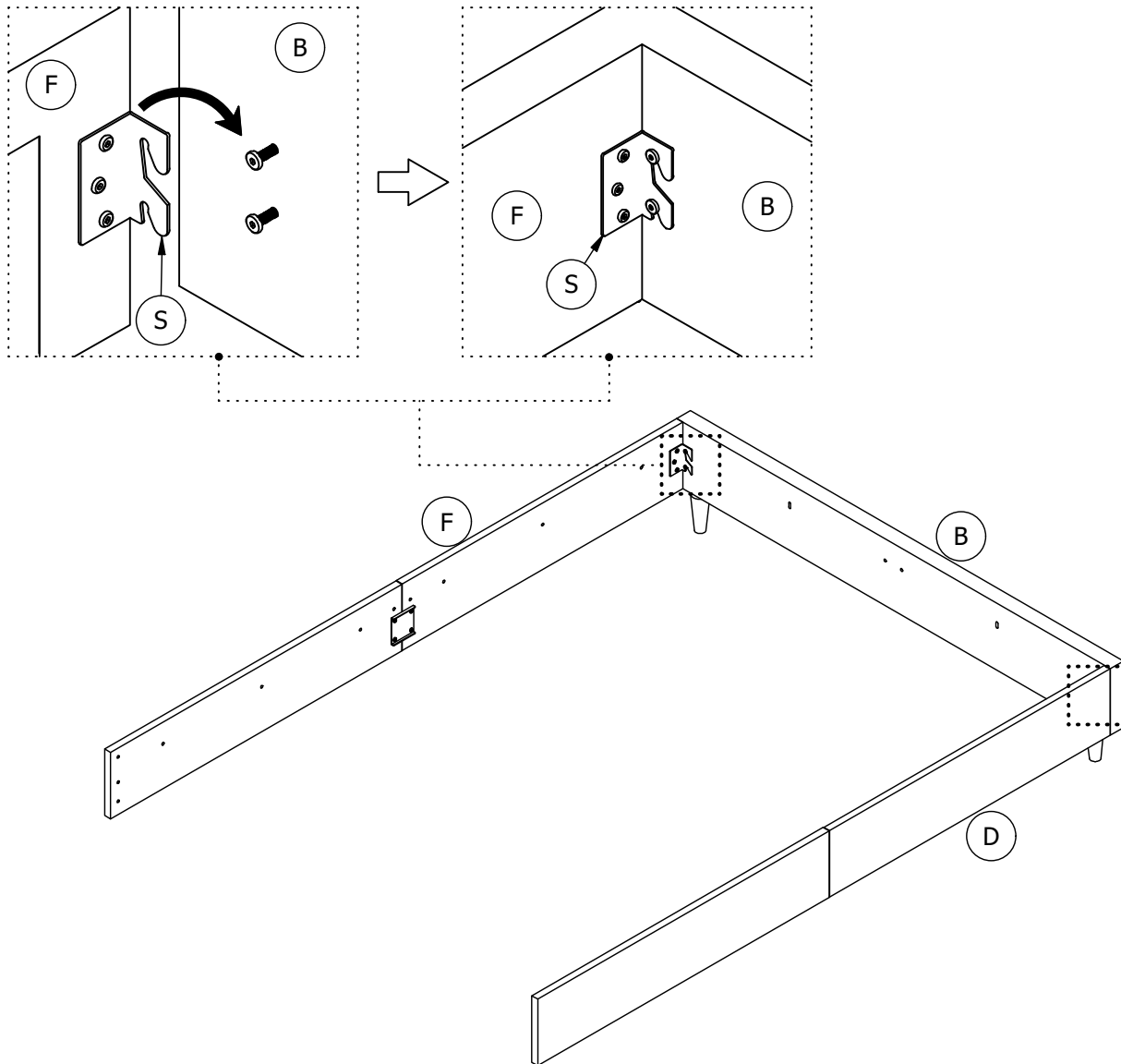
Step 3

- 3.1 Attach **I** to **E** and **F** with **1**.
Attach **I** to **C** and **D** with **1**.
- 3.2 Attach **T** to **D** with **1**.
Attach **S** to **F** with **1**.



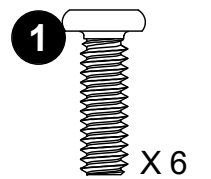
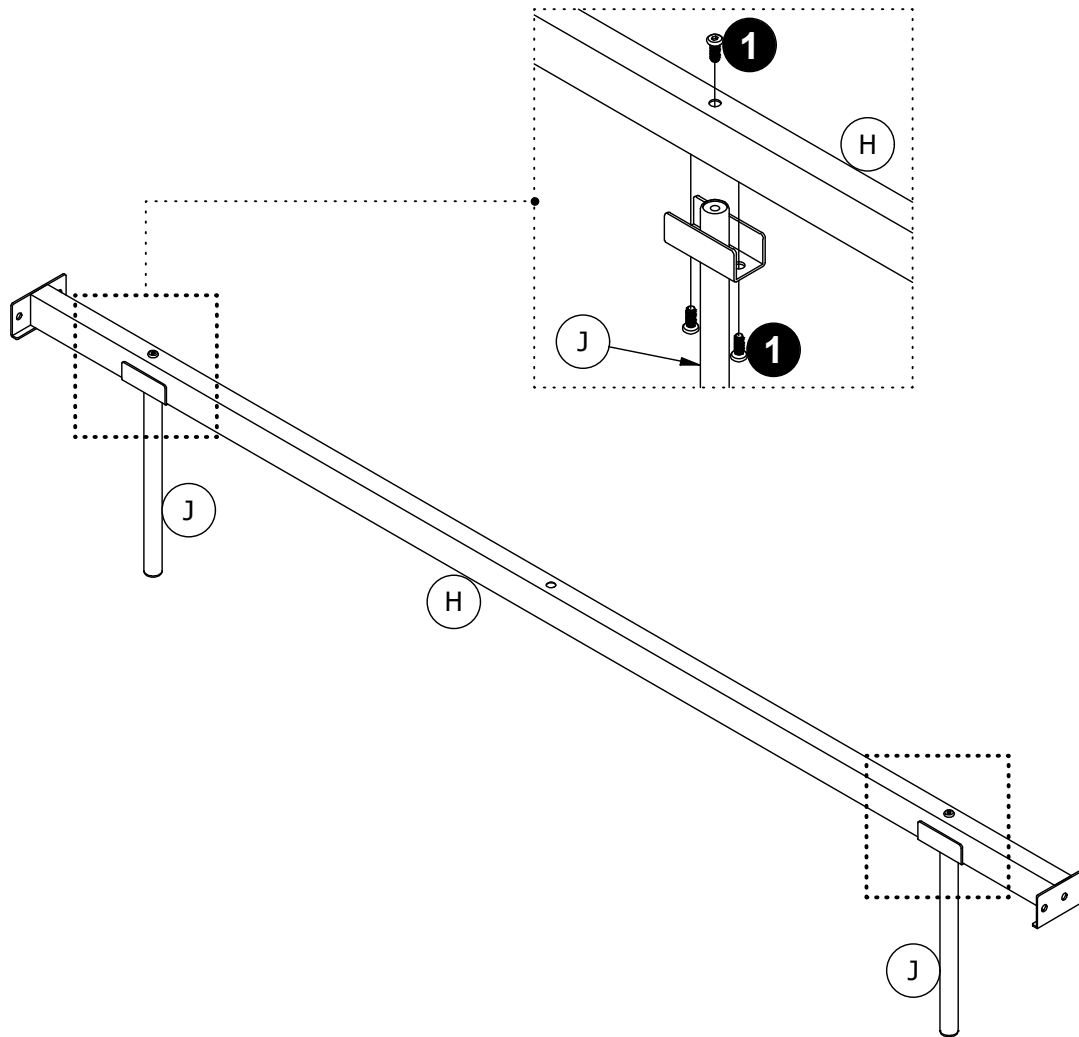
Step 4

Hang **F** and **D** on **B** as illustrated.
Don't completely tighten the bolts until **STEP 12** is complete. This will help with alignment.



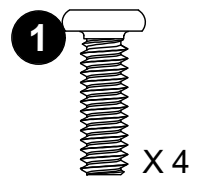
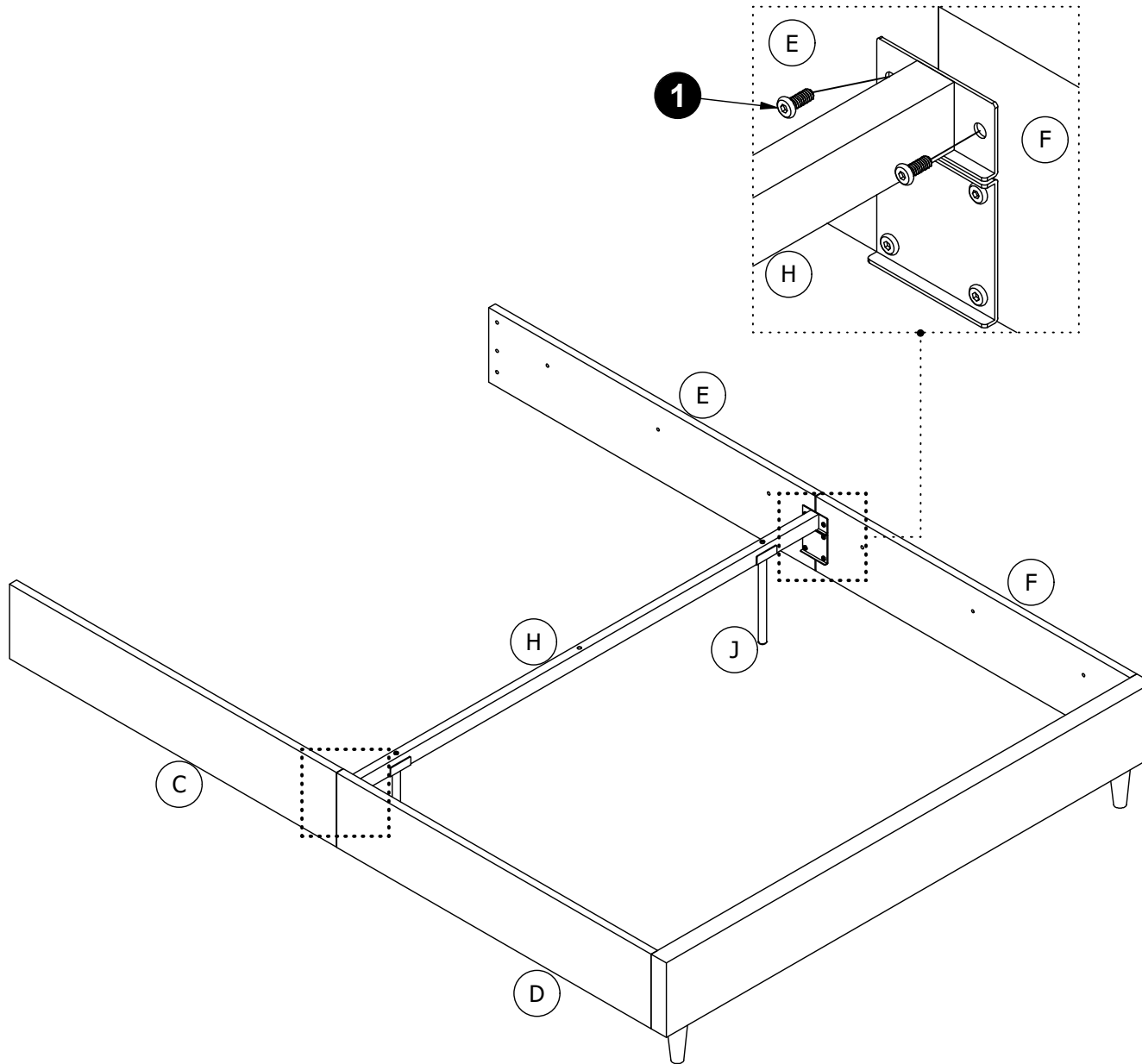
Step 5

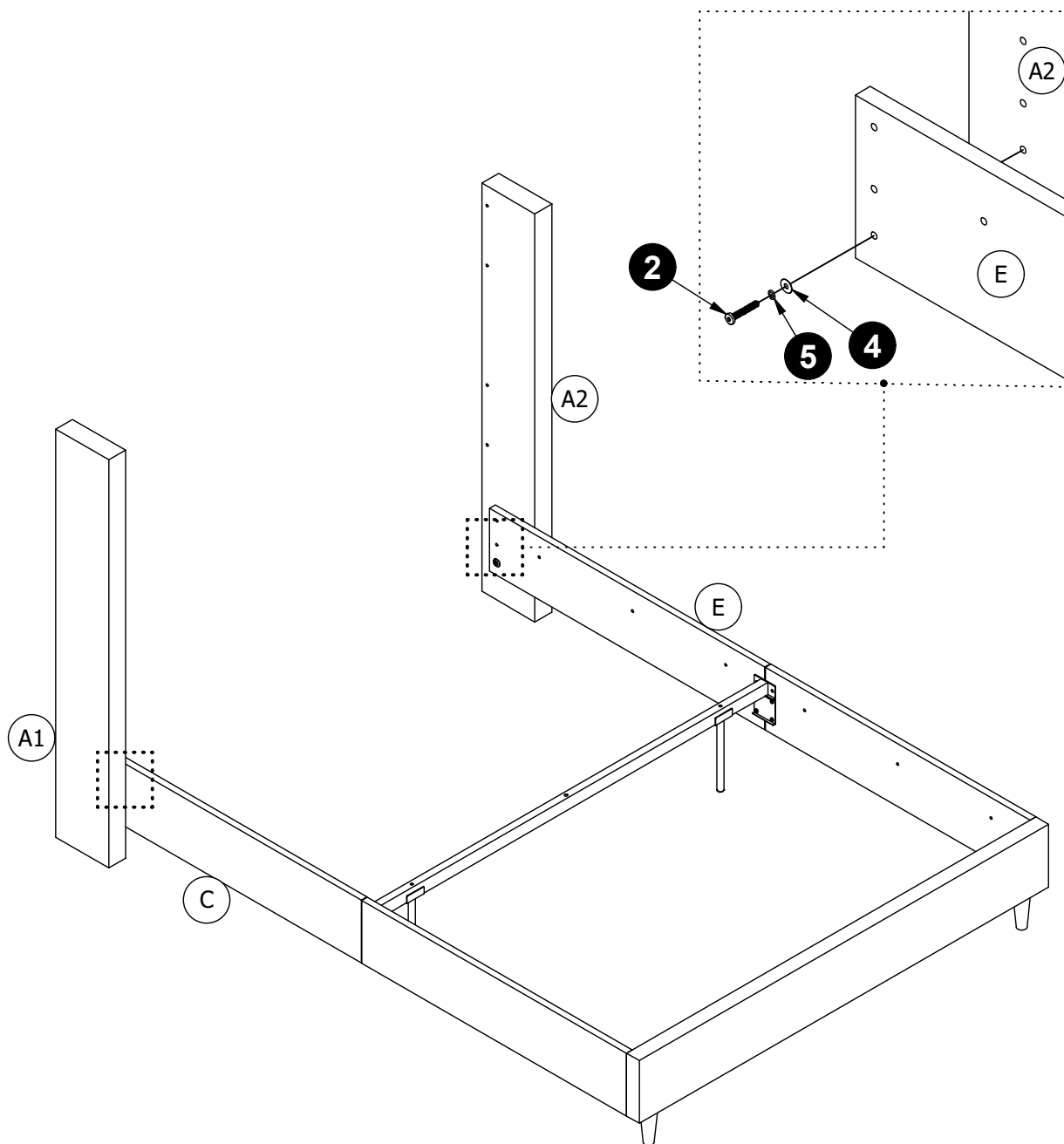
Attach **J** x 2 to **H** with **1**.



Step 6

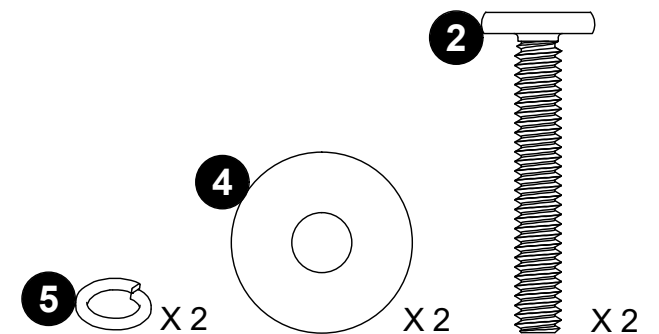
Attach subassemblies (H & J) from previous step to C/D and E/F with ❶.





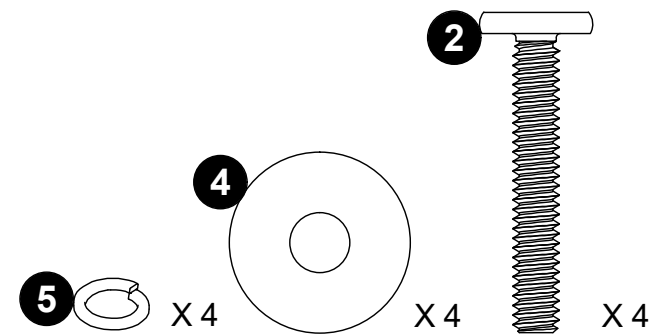
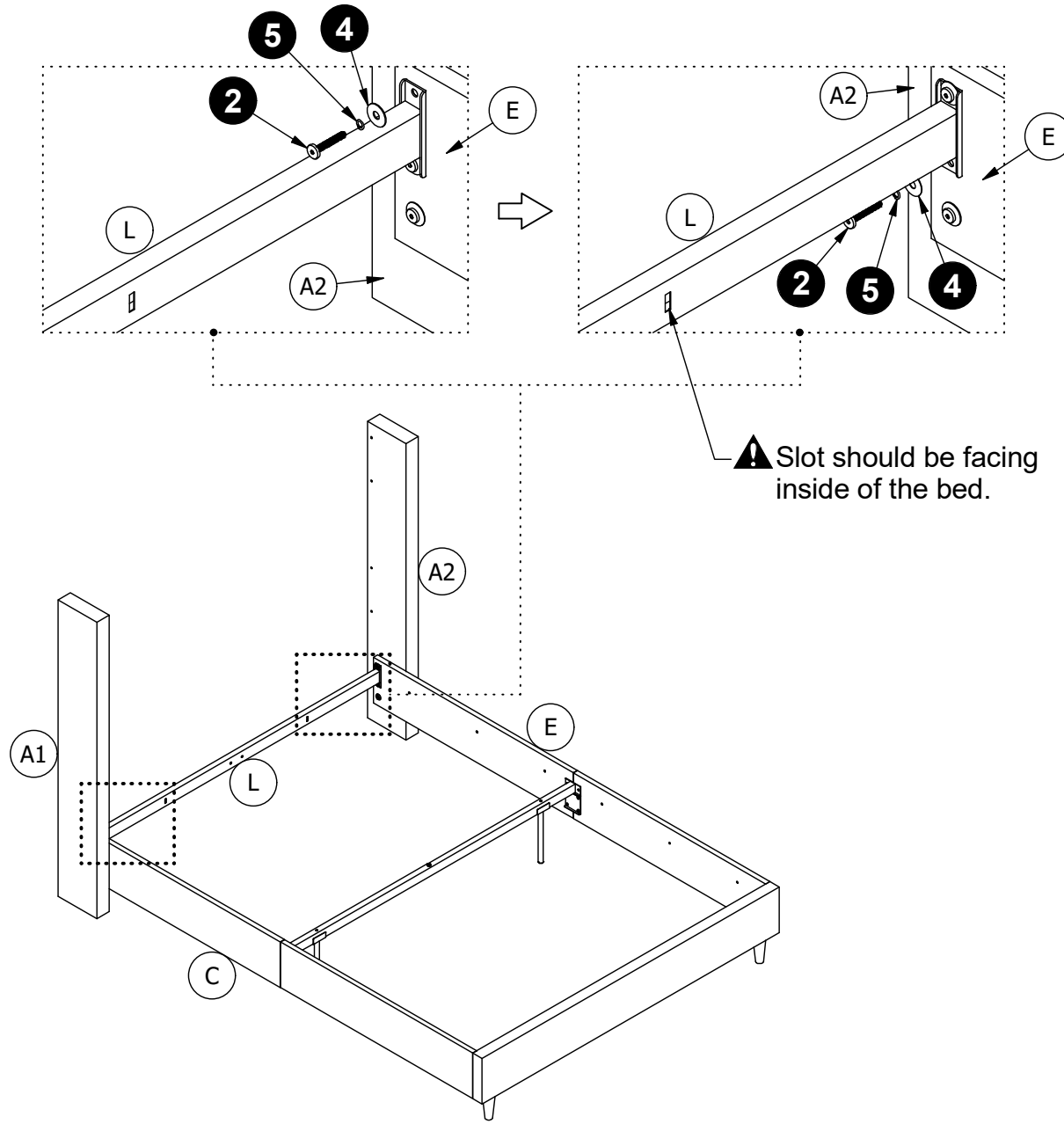
Step 7

Attach **C** to **A1** with **2** & **4** & **5**.
Attach **E** to **A2** with **2** & **4** & **5**.



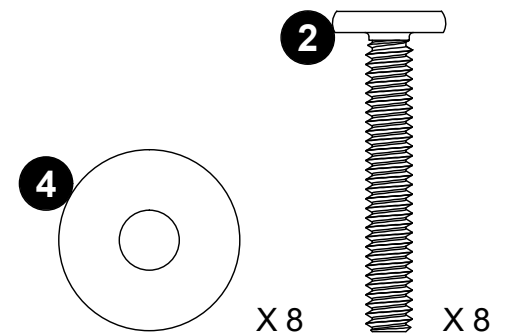
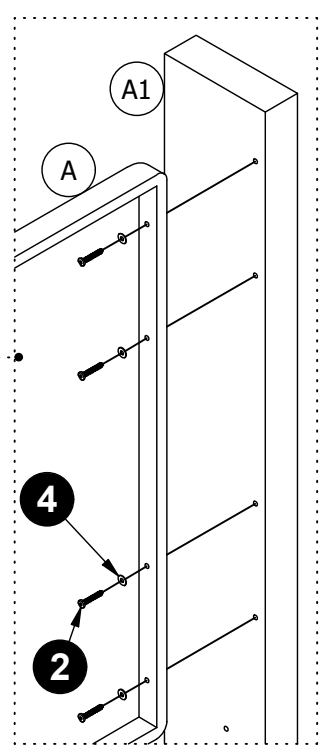
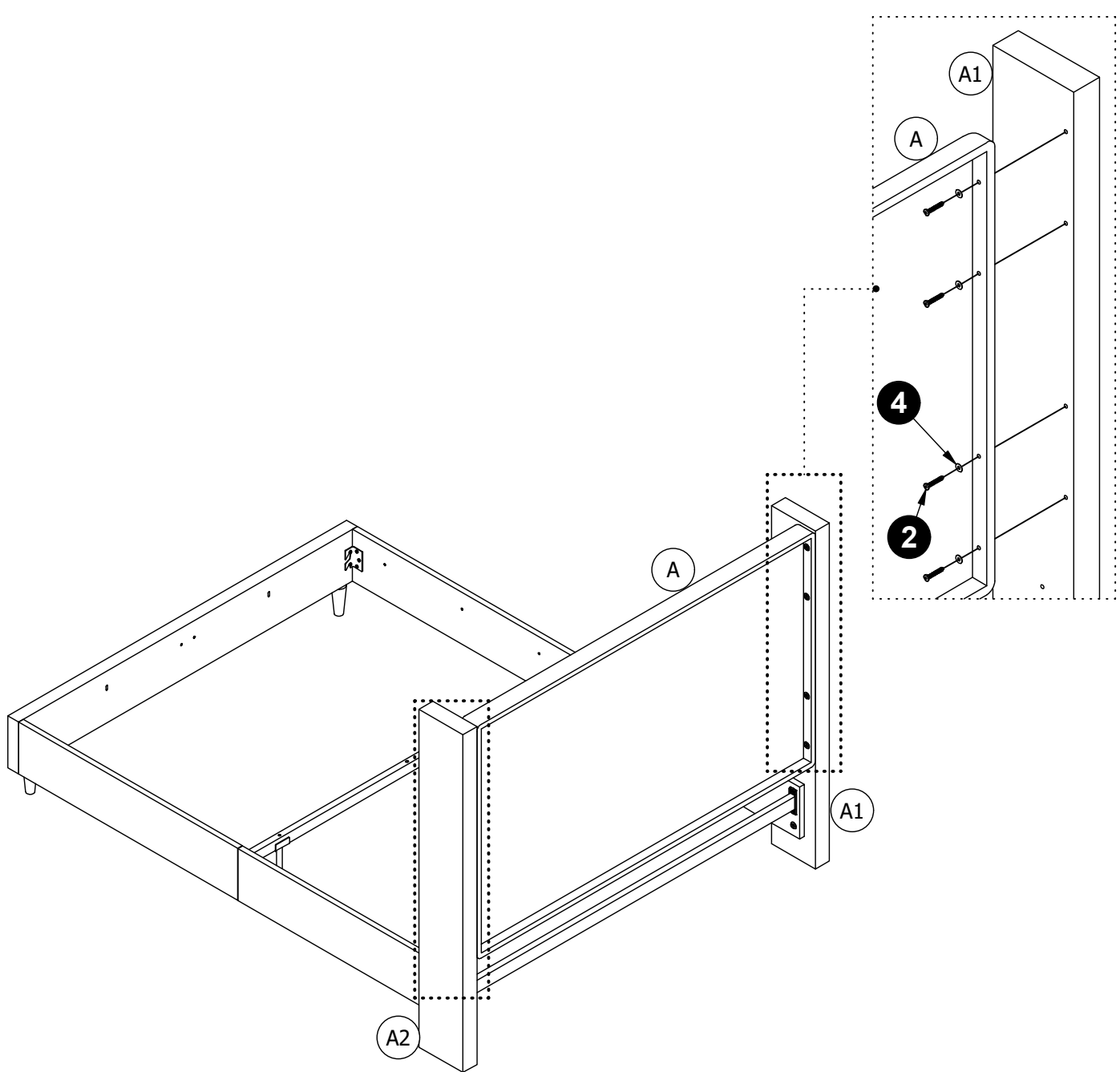
Step 8

Attach **L** and **C** to **A1** with **2** & **4** & **5**.
Attach **L** and **E** to **A2** with **2** & **4** & **5**.



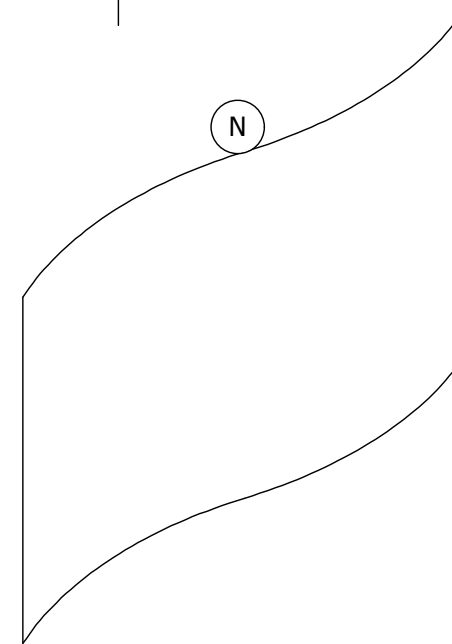
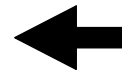
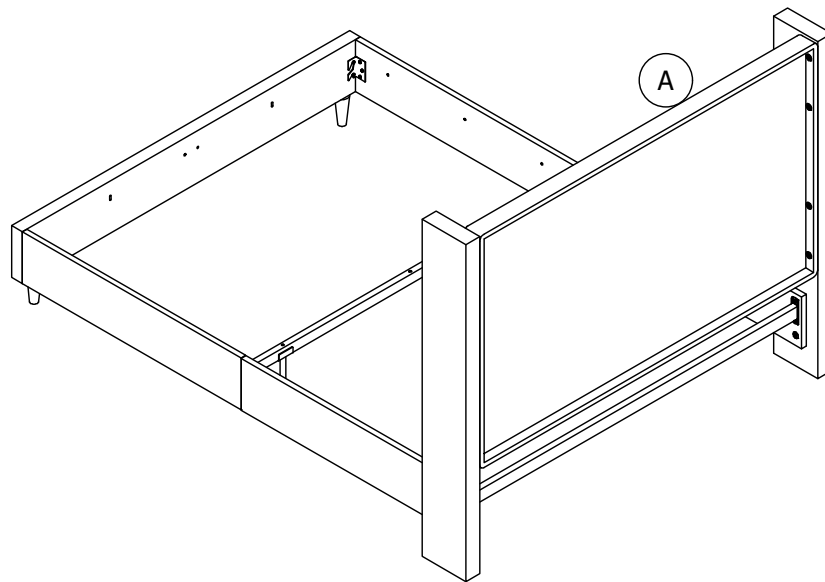
Step 9

Attach **A** to **A1** and **A2** with **2** and **4**.



Step 10

Stick **N** to the back of **A** with Velcro as illustrated.

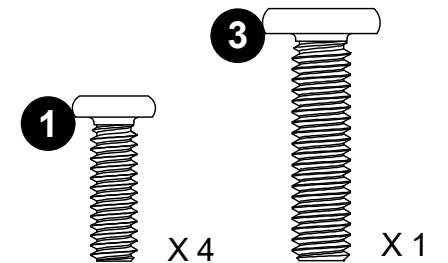
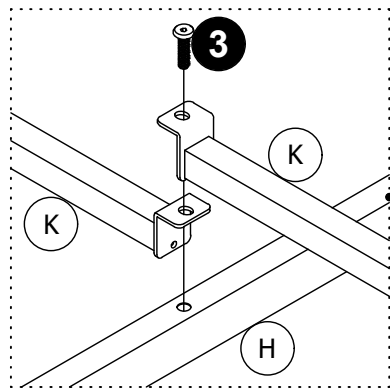
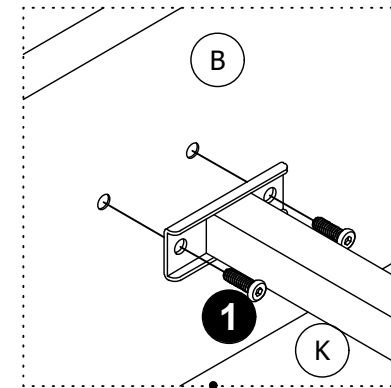
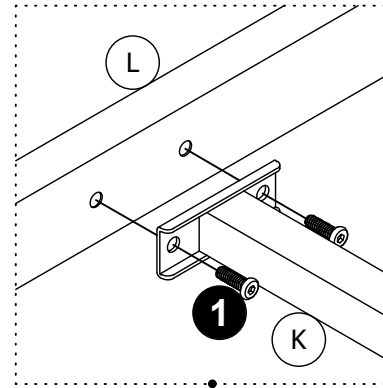
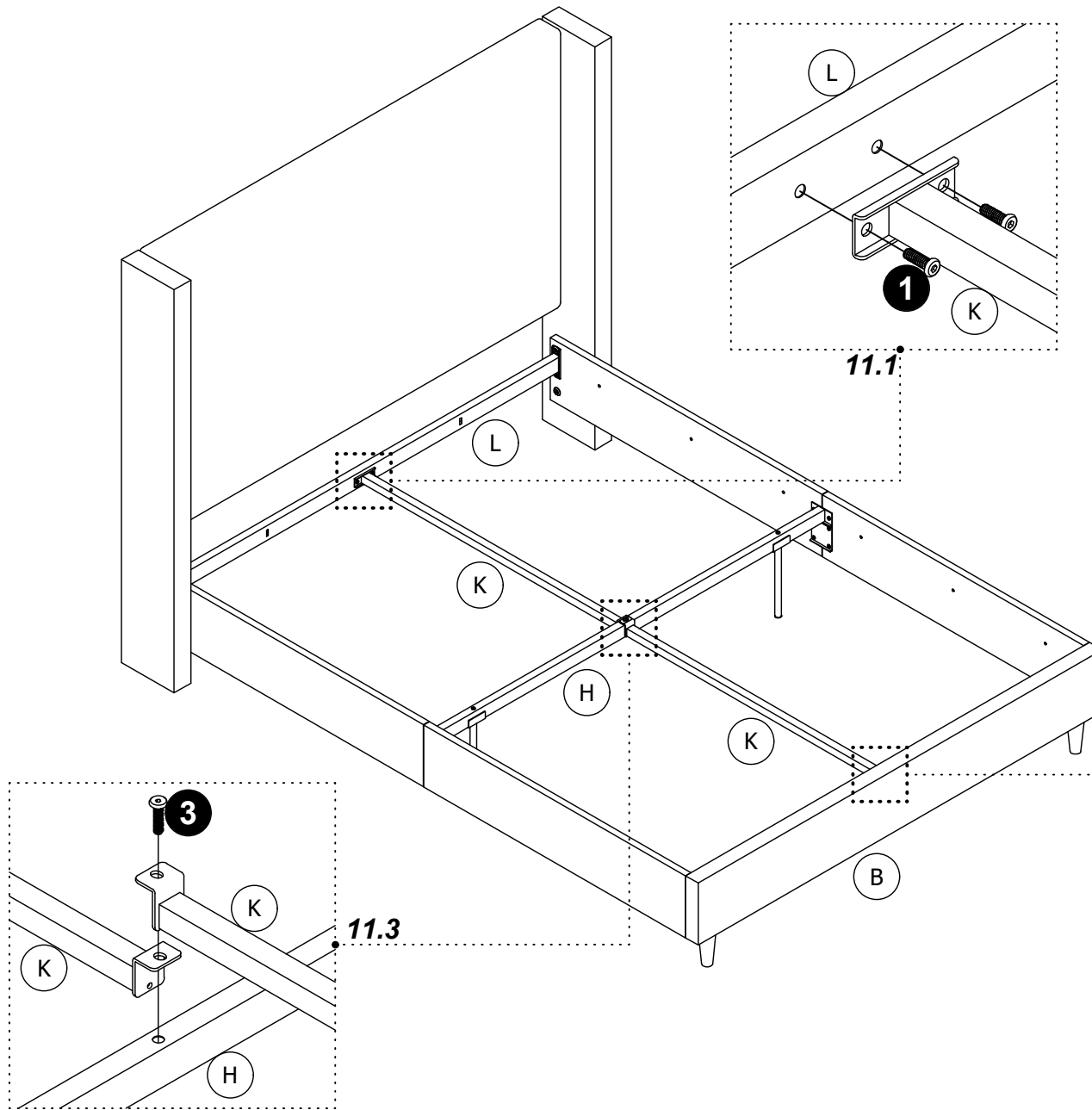


Step 11

11.1 Attach one K to L with ①.

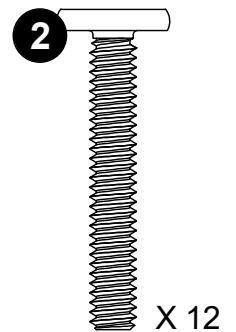
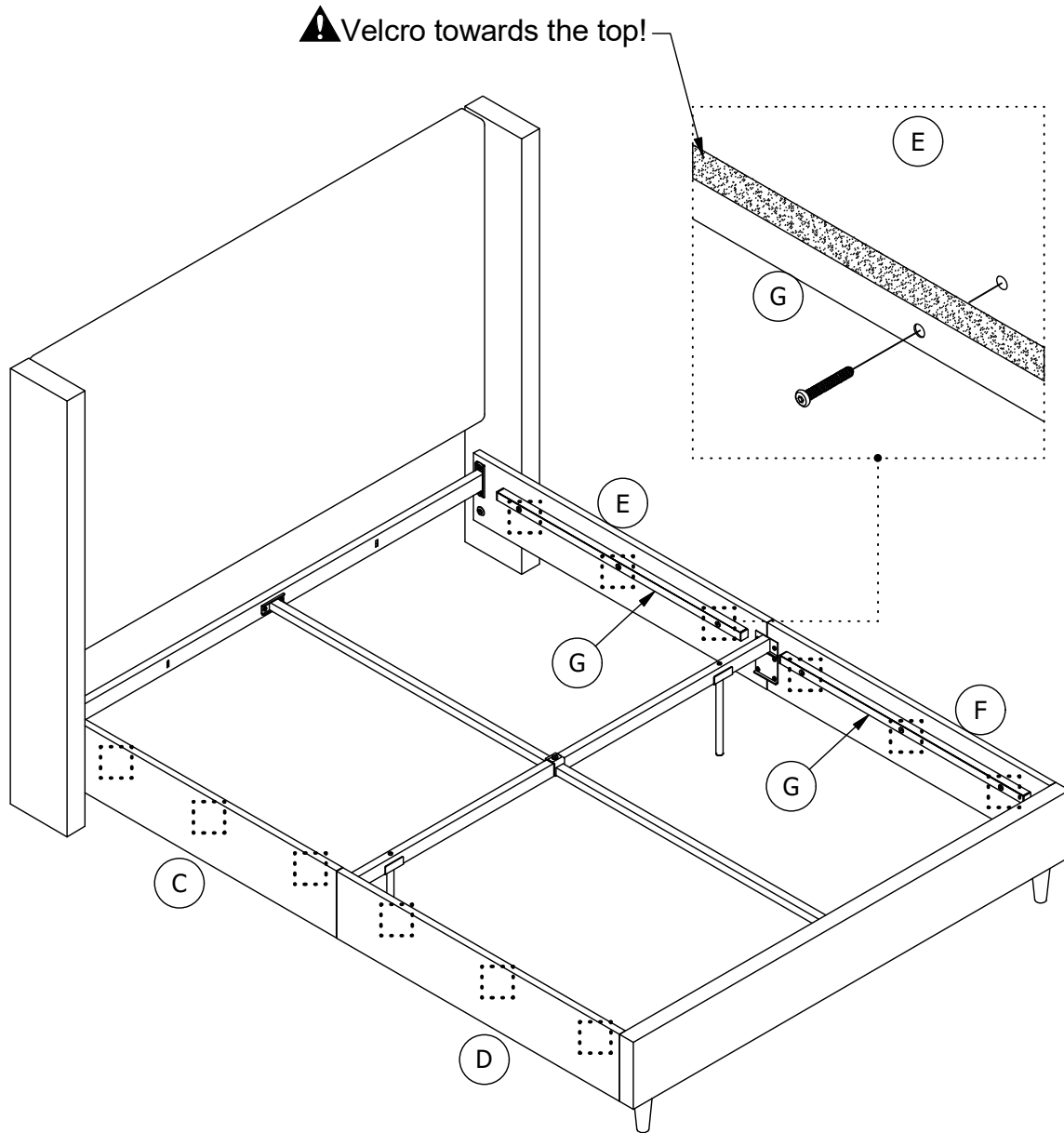
11.2 Attach the other K to B with ①.

11.3 Attach K x 2 to H with ③.



Step 12

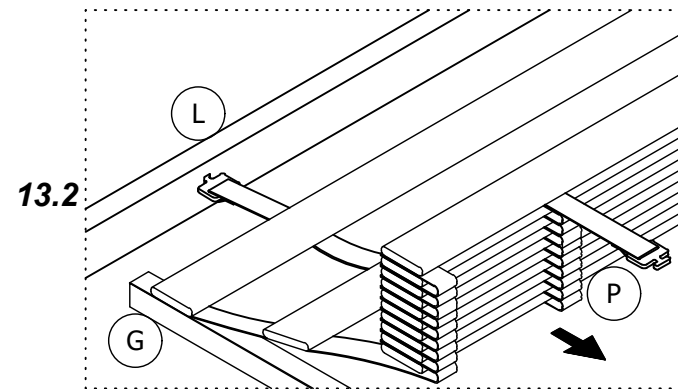
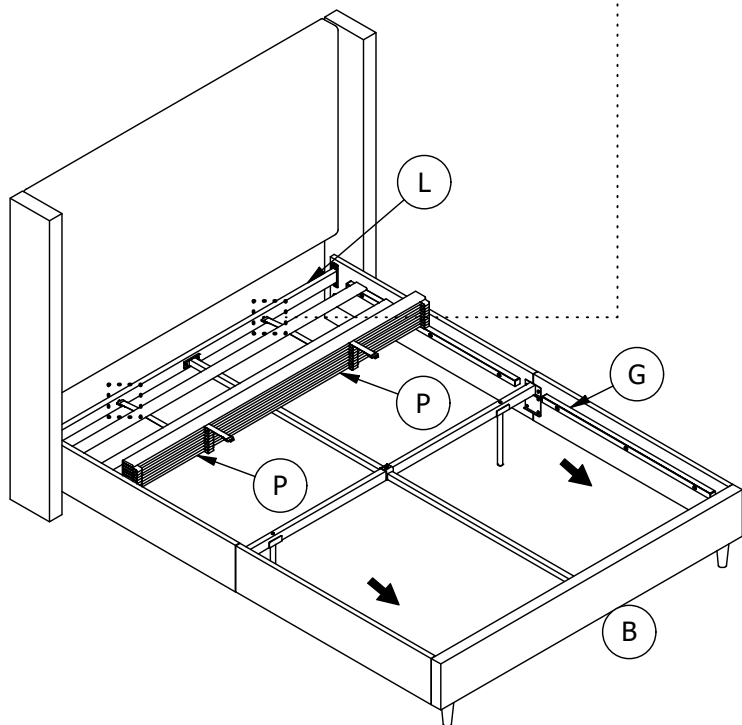
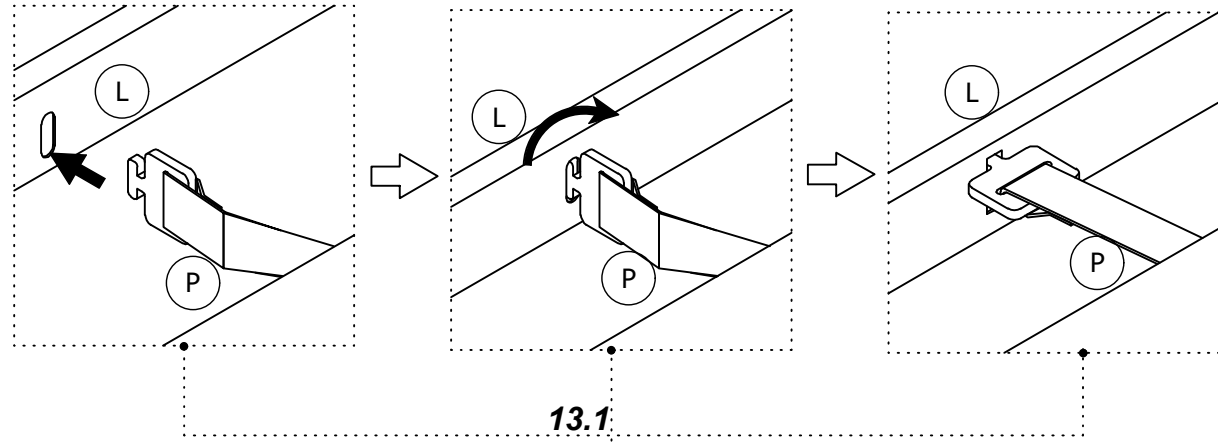
Attach **G x 4** to **C,D,E** and **F** with **2**.
Fully tighten all bolts.



Step 13

13.1 Attach one end of **P** to **L** by inserting the tab into the slot and turn it to the level position.

13.2 Spread the slats **P** along the bed with equal spacing, engage the velcro at the end of slat with the counter part on **G**.



Step 14

Attach the other end of **P** to **B** by inserting the tab into the slot and turn it to the level position.

