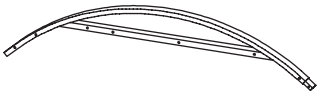
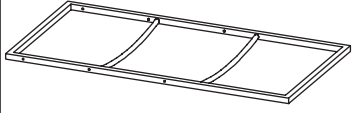
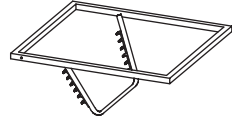
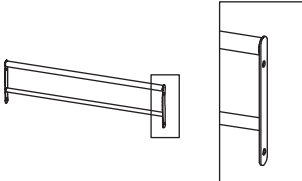
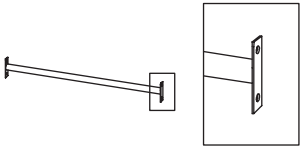



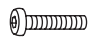
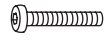



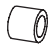


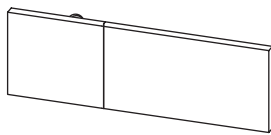
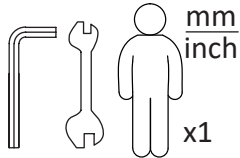

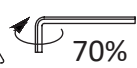
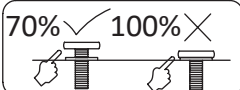
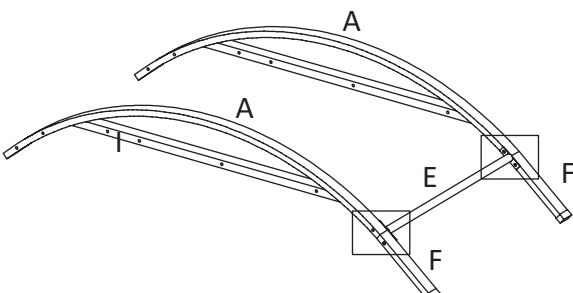
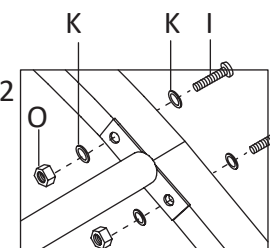
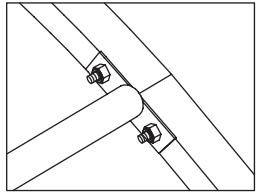

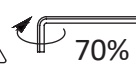
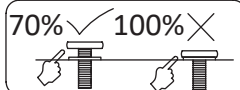
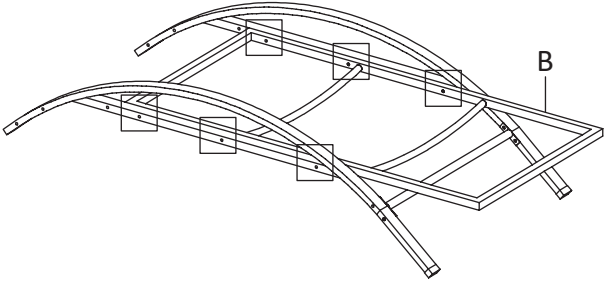
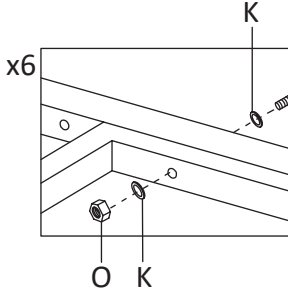
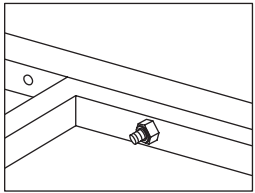


Ax2 	Bx1 	Cx1 	Dx1 
Ex1 	Fx2 	Gx2 	Hx2  M8x $\frac{100}{3.9}$

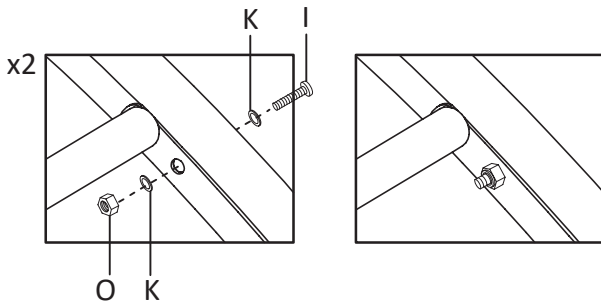
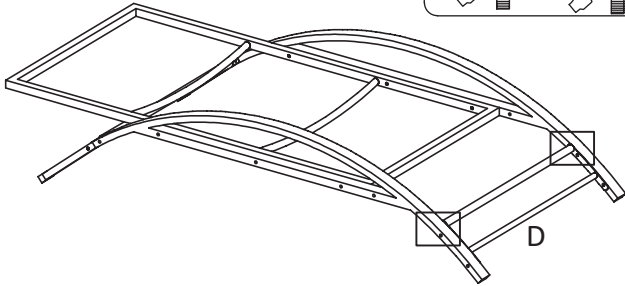
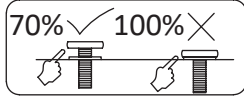
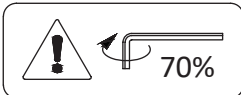
Ix8  M6x $\frac{45}{1.8}$	Jx6  M6x $\frac{60}{2.4}$	Kx26  $\phi 6.5$	Lx4  $\phi 8.5$	Mx2  L: $\frac{4}{0.1}$
--	--	---	--	--

Nx2  L: $\frac{15}{0.6}$	Ox12  M6	Px2  M8	Qx1 	 mm inch x1
--	--	---	--	--

<p>1</p>       <p>Ix4 Kx8 Ox4</p>	<p>2</p>       <p>Jx6 Kx12 Ox6</p>
--	---

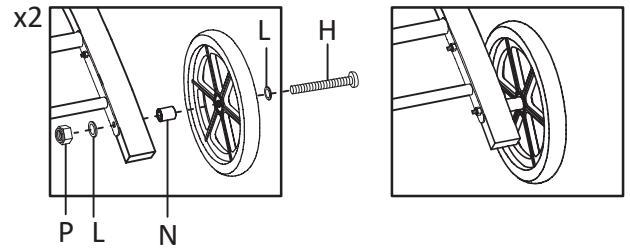
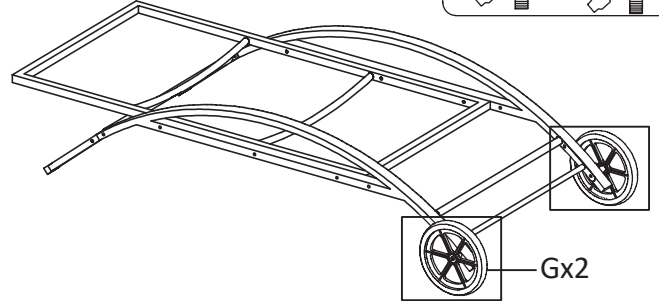
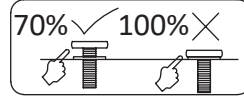
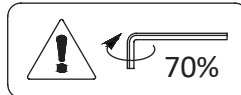
3

Ix2 Kx4 Ox2

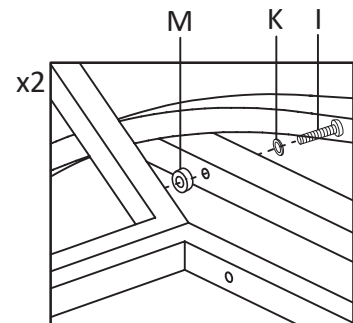
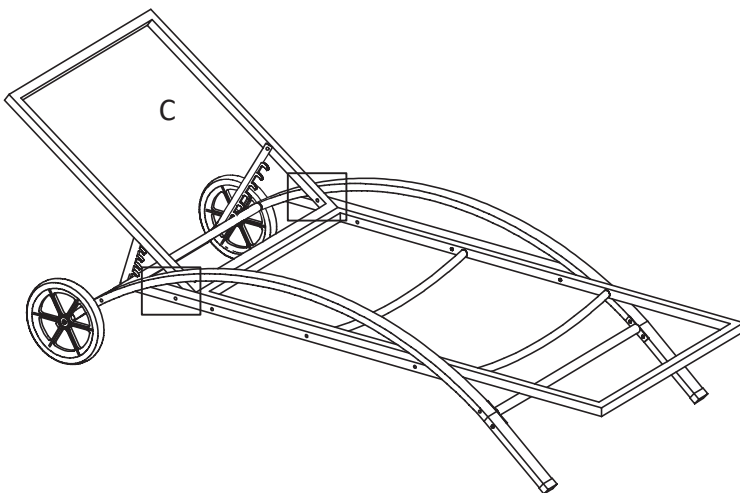
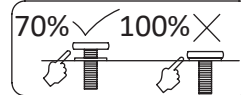
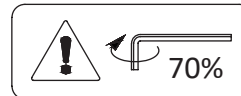


4

Hx2 Lx4 Px2



5



Ix2 Kx2 Mx2

