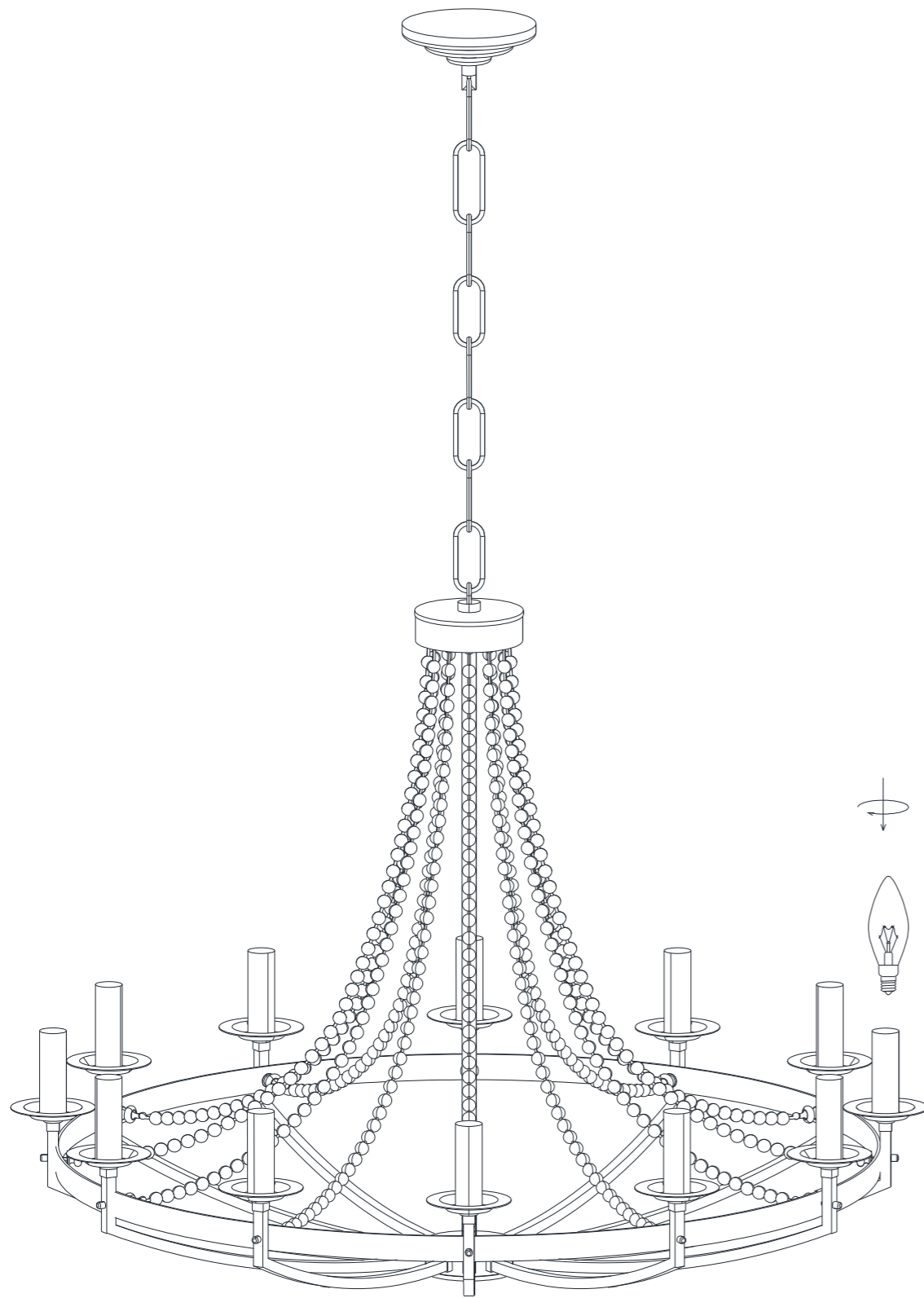


## 2. Install Bulbs



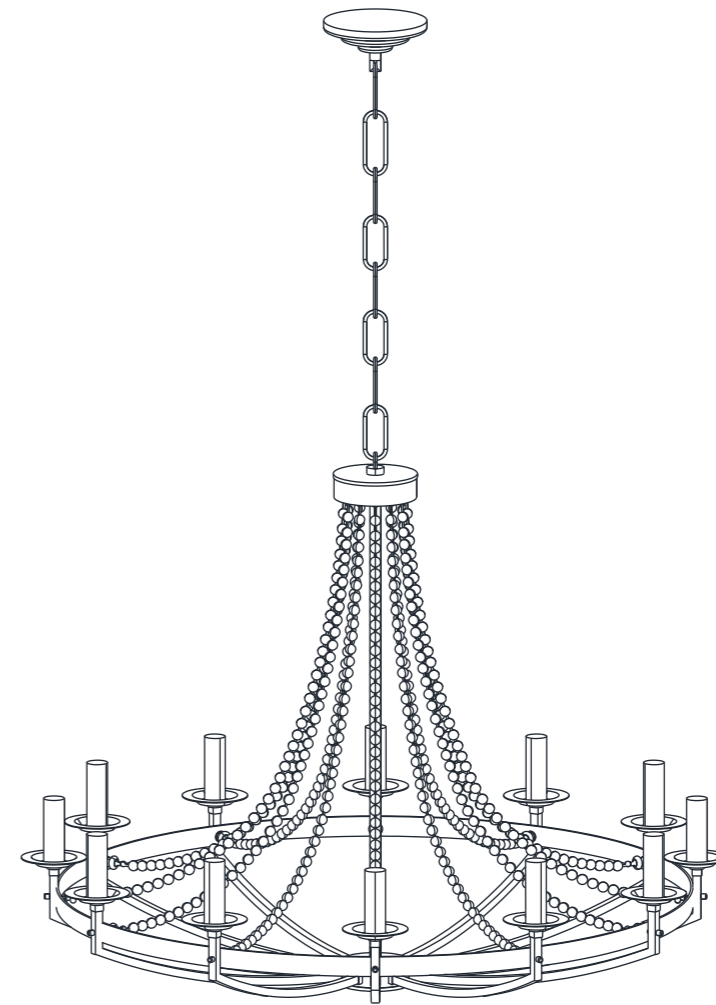
E12 Bulbs X 12  
(Max 40W each, not included)

**Note:**  
This lamp uses E12 bulbs up to 40W. Fully dimmable when used with dimmable bulbs and compatible dimming switches (not included).

# INSTALLATION MANUAL

## CHANDELIER

Model No.: YB004-12WO



## TOOLS REQUIRED



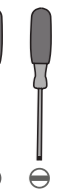
Ladder



Pliers



Wire  
Strippers

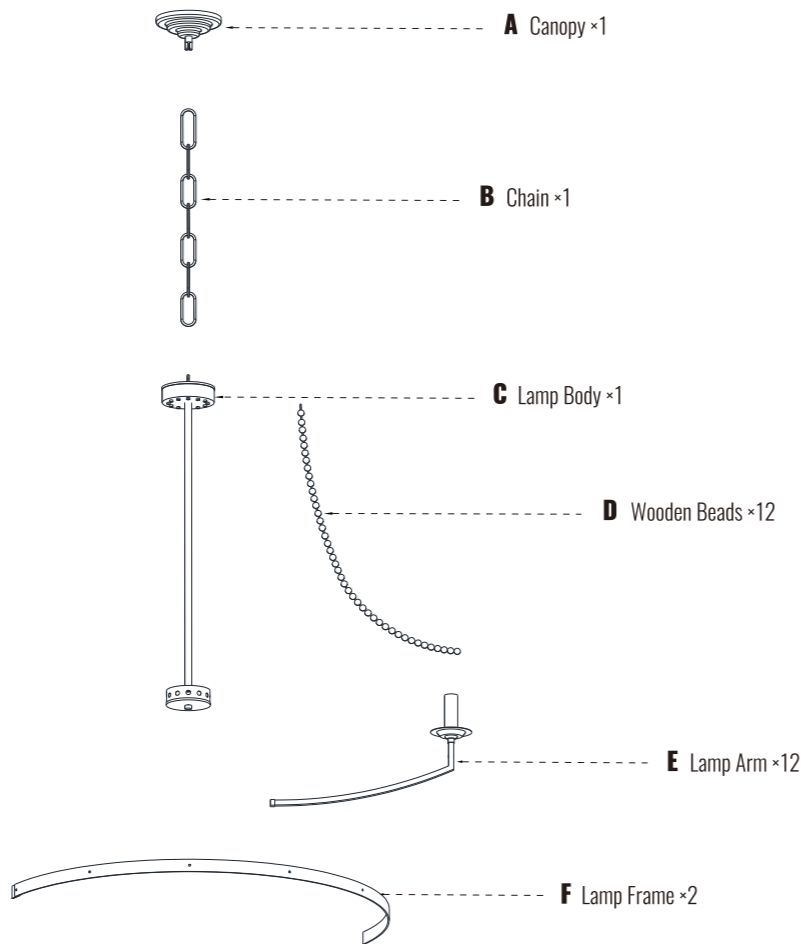


Screwdrivers



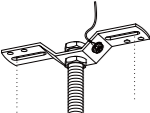
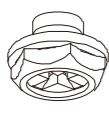






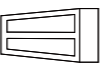


Scan for Installation Video

# PACKING LIST



**Note:**  
Wooden Beads (D) has a spare part.

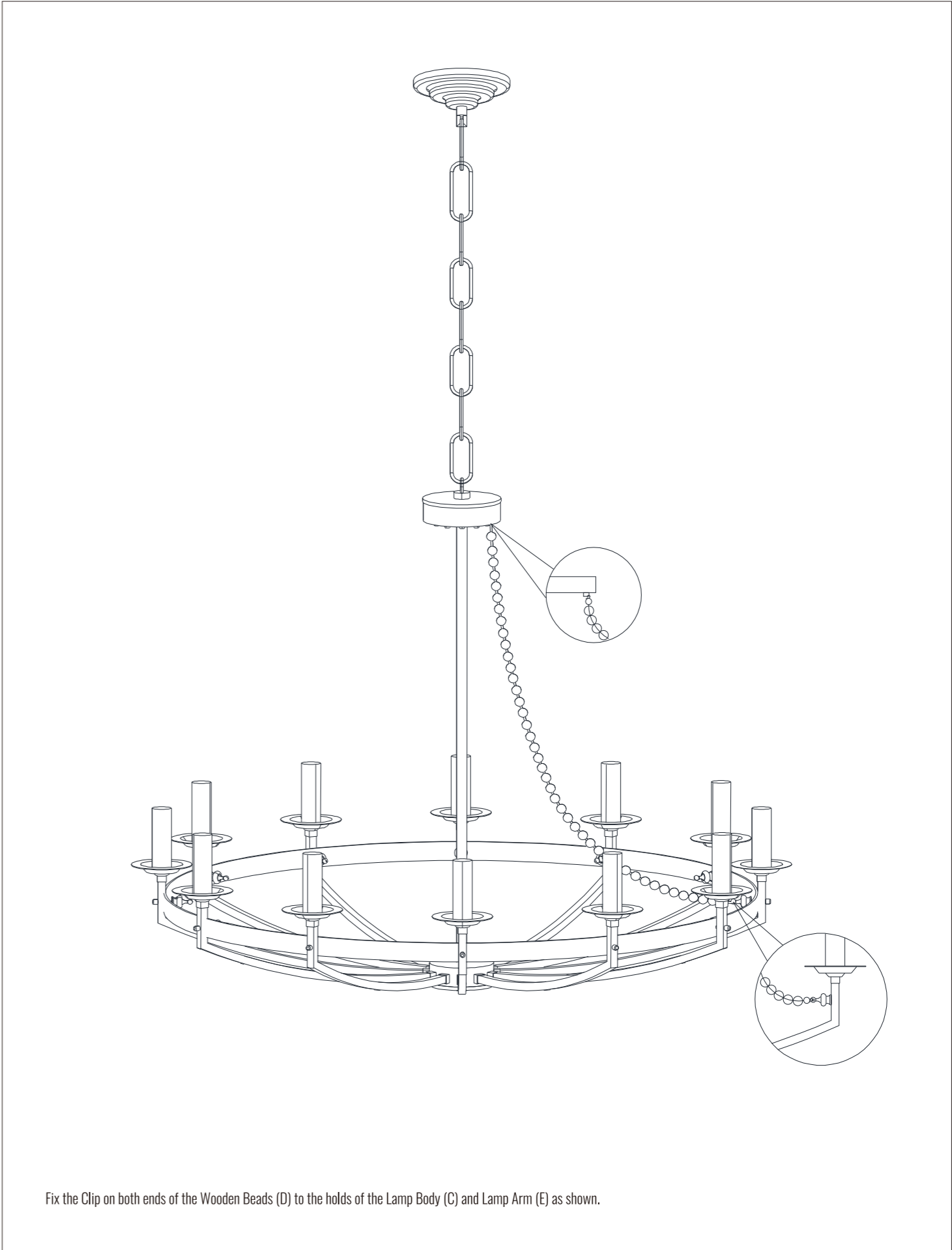
# INSTALLATION KIT

<b>AA</b>  Mounting Bracket 1x	<b>BB</b>  Ground Screw 1x	<b>CC</b>  Outlet Box Screw 4x	<b>DD</b>  Small Wire Nut 4x	<b>EE</b>  Large Wire Nut 4x
<b>FF</b>  Power Main Cable 2x	<b>GG</b>  Figure-Eight Buckle 1x	<b>HH</b>  Hex Nut 1x	<b>II</b>  Ground Wire 5x	<b>JJ</b>  Fixed Screw 12x
<b>KK</b>  Glove 1x				

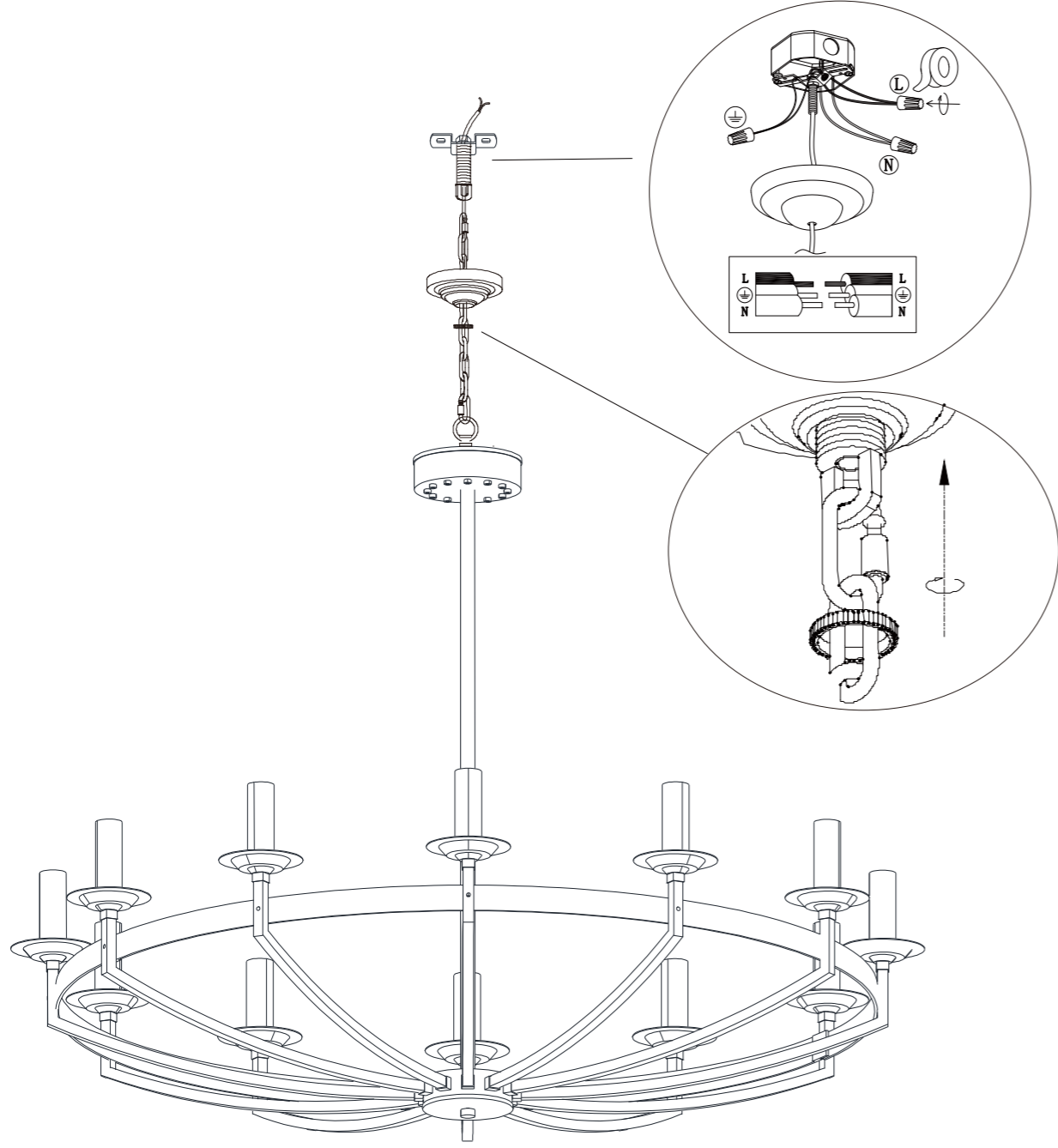
**Note:**  
1. Knurled Nut (JJ) have some extra pieces for back-up.  
2. BB/GG/HH has already been pre-installed with AA, and AA has already been pre-installed with Canopy (A).

# INSTALL BEADS AND BULBS

## 1. Install Wooden Beads



## 6. Connect the Wires

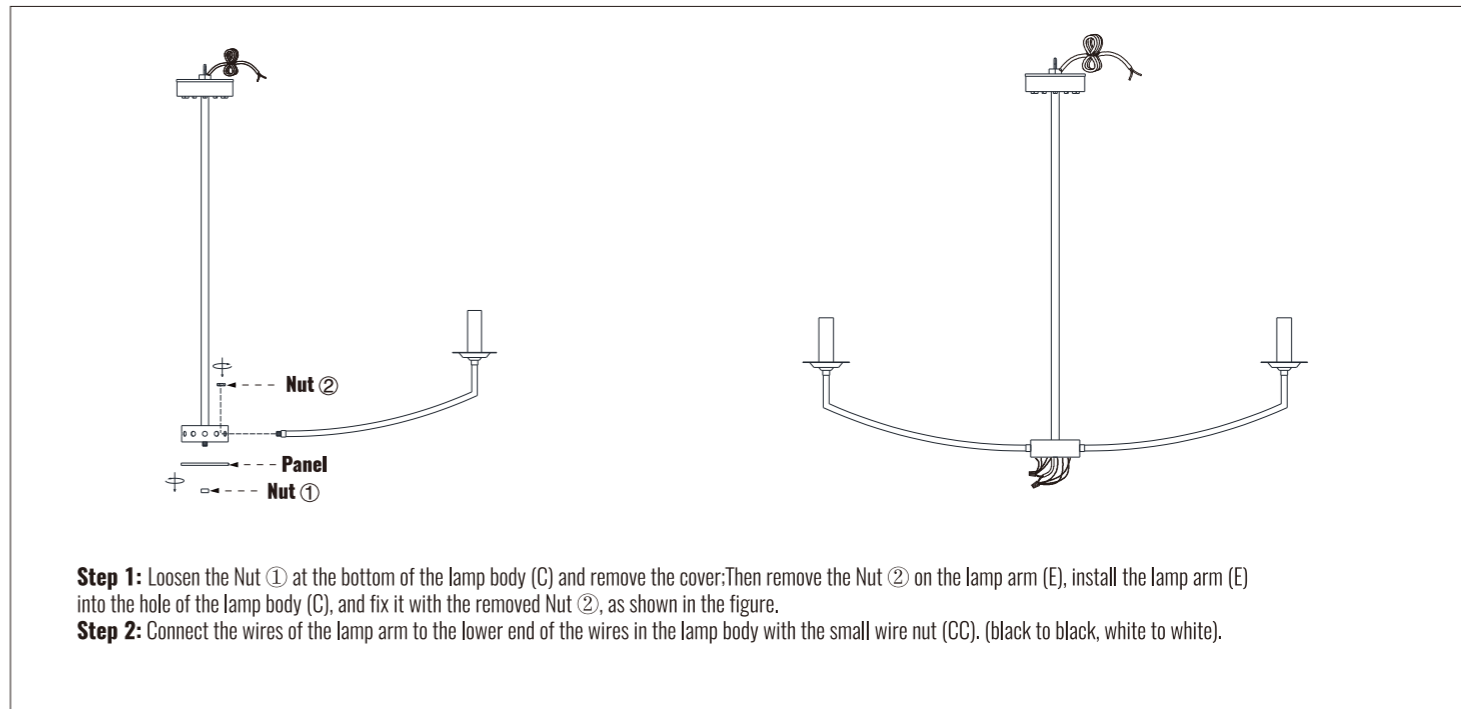


- Step 1:** Wrap the ground wire from the outlet box around the Ground Screw (BB) on the Mounting Bracket (AA), and then connect the ground wire from the fixture to the ground wire from the outlet box.
- Step 2:** Connect the wires from the fixture to the house supply wires, neutral (white) to neutral wire, and hot (black) to hot wire.
- Step 3:** Spread apart the wires so that the hot wires are on one side of the outlet box and the neutral wires are on the other.
- Step 4:** Lock the Loop Ring (HH) onto the Mounting Bracket (AA), then attach the Canopy (A) to the ceiling.

**Note:** Please test the fixture before installation to ensure it's working properly.

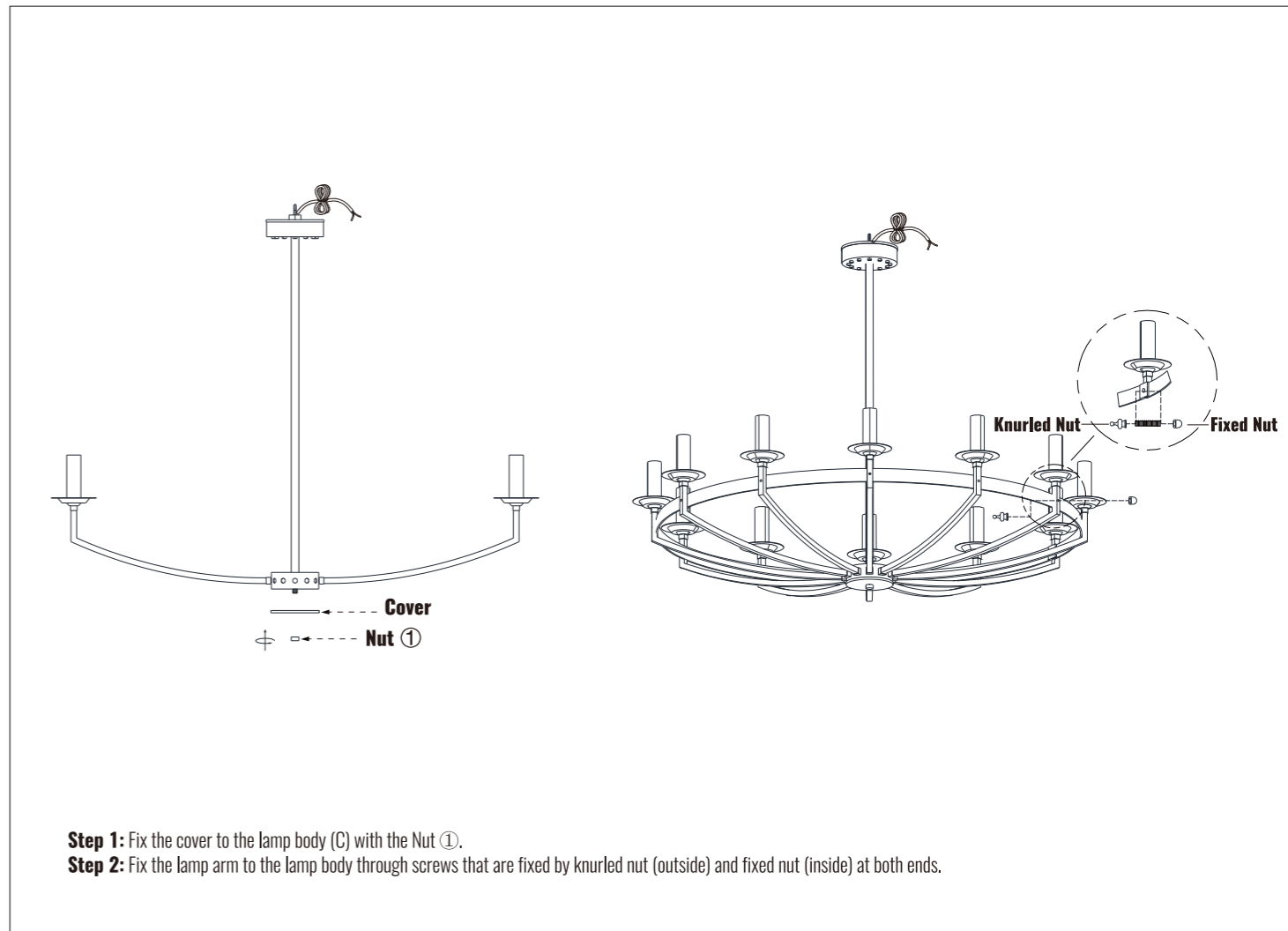
## MOUNTING AND WIRE

### 1. Install the Lamp Arm



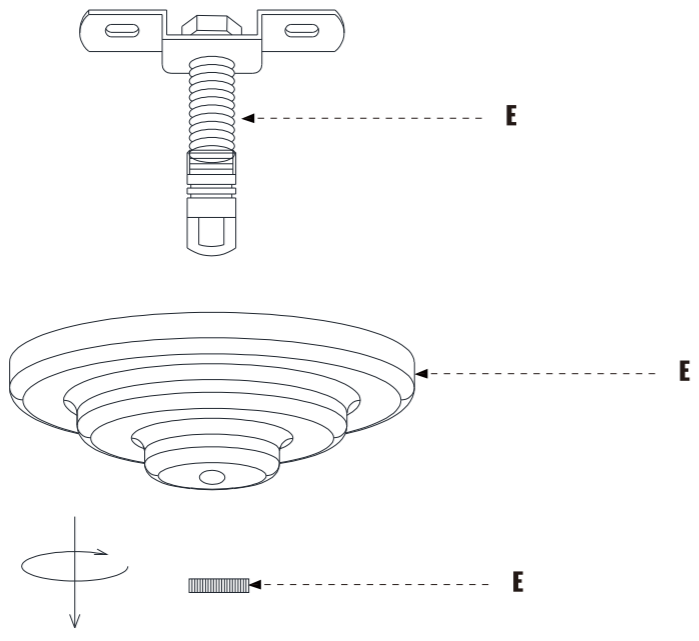
- Step 1:** Loosen the Nut ① at the bottom of the lamp body (C) and remove the cover; Then remove the Nut ② on the lamp arm (E), install the lamp arm (E) into the hole of the lamp body (C), and fix it with the removed Nut ②, as shown in the figure.
- Step 2:** Connect the wires of the lamp arm to the lower end of the wires in the lamp body with the small wire nut (CC). (black to black, white to white).

### 2. Install the Lamp Frame



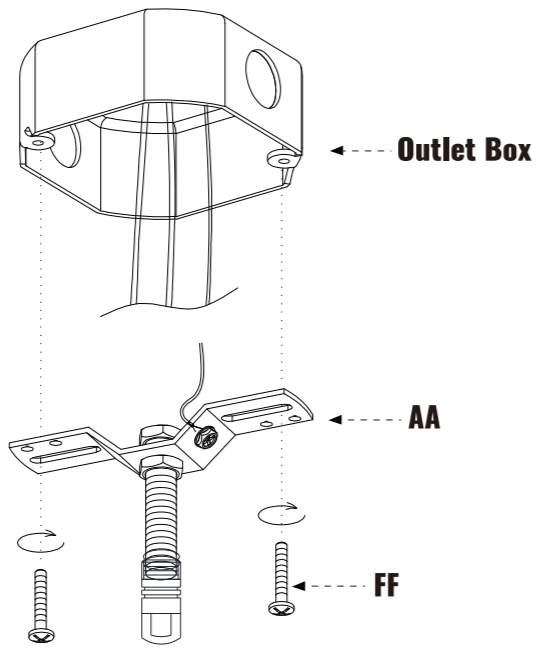
- Step 1:** Fix the cover to the lamp body (C) with the Nut ①.
- Step 2:** Fix the lamp arm to the lamp body through screws that are fixed by knurled nut (outside) and fixed nut (inside) at both ends.

**3. Remove the Mounting Bracket**



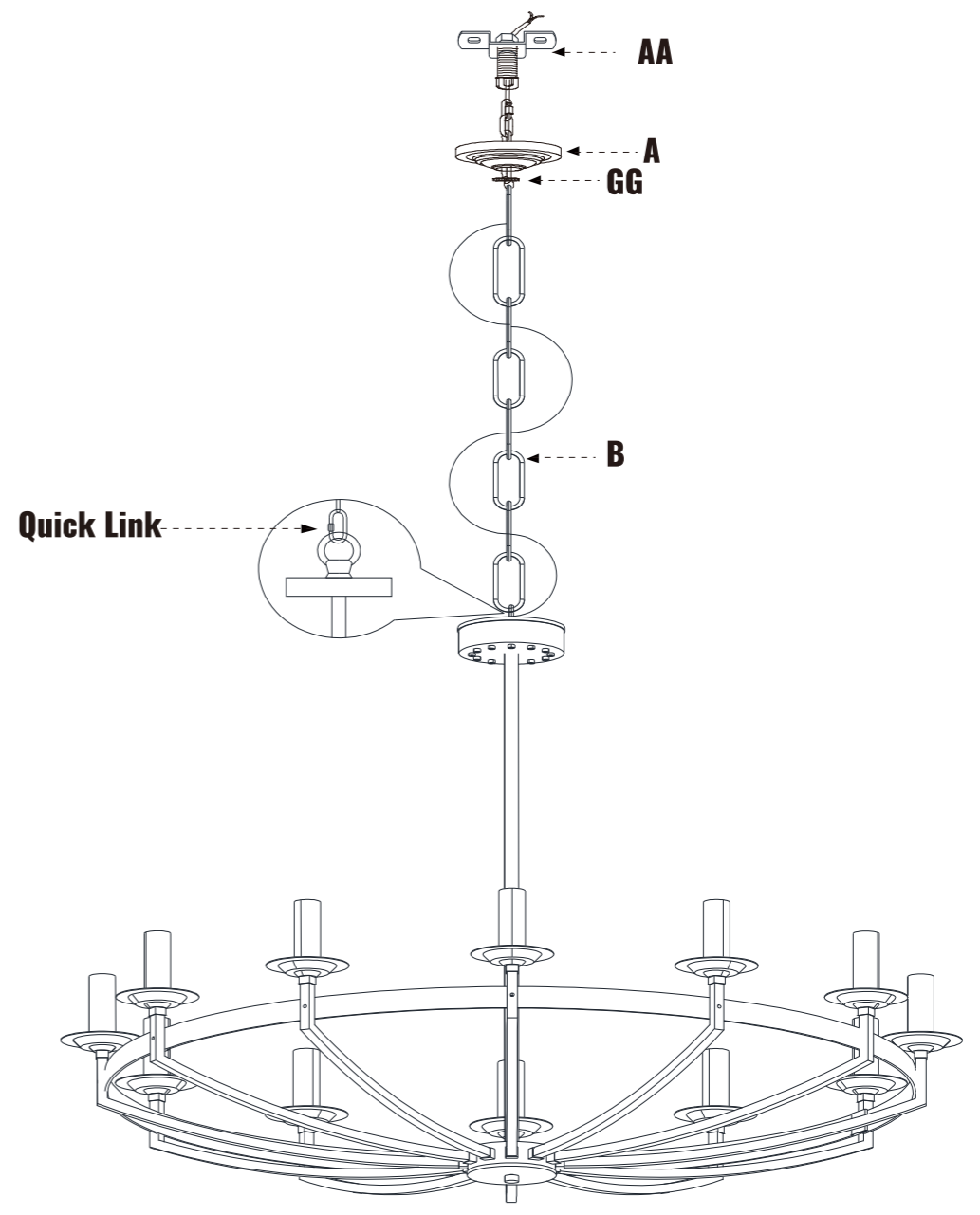
Loosen the Loop Ring (HH) from Canopy (A), take out the Mounting Bracket (AA).

**4. Install Mounting Bracket**



Take off the screws from outlet box, attach the mounting bracket to the box with screws taken off or outlet box screw.

**5. Pass the Wires**



**Step 1:** Pass the wires through Chain (B), Loop Ring (HH), Canopy (A) and Mounting Bracket (AA).  
**Step 2:** Open the Quick Link on Chain (B), then connect the Quick Link on both ends of Chain (B) to the Fixture Loop of the Lamp Body (C) and Loop Ring (GG) of the Mounting Bracket (AA), and finally lock the Quick Link tightly.