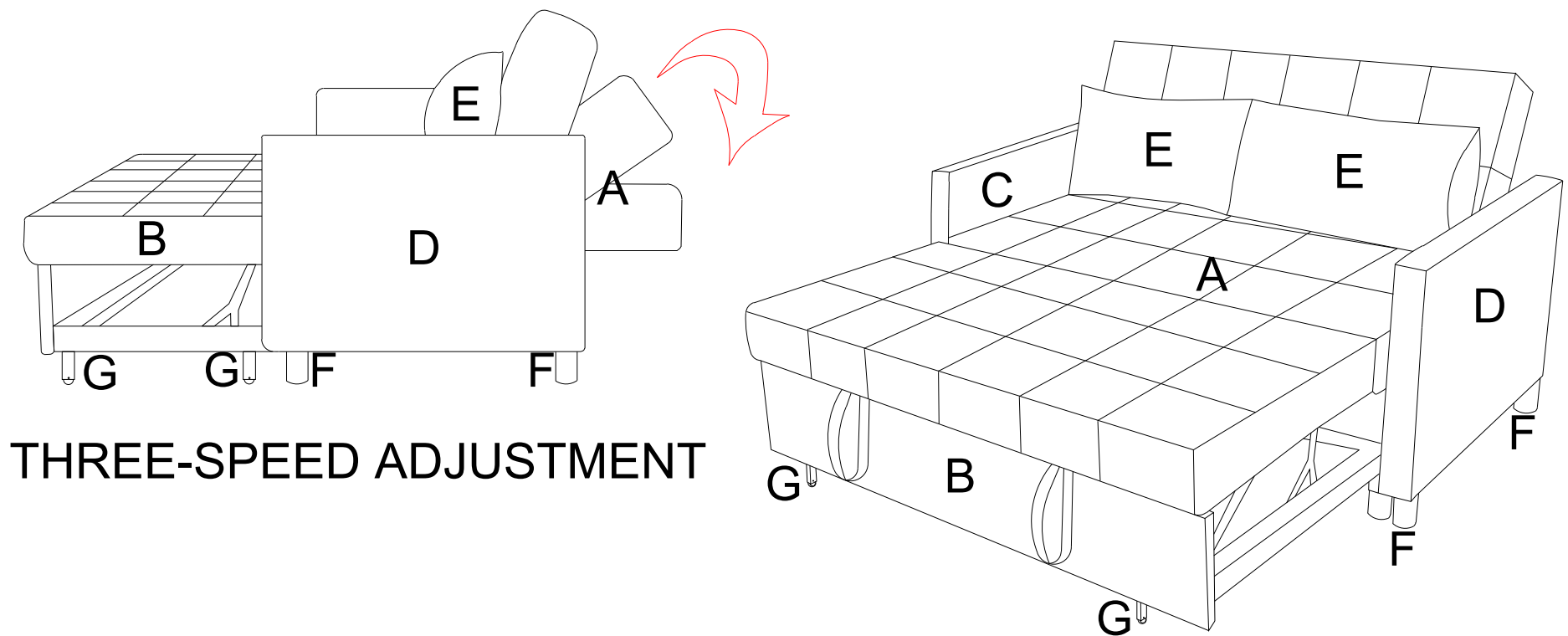


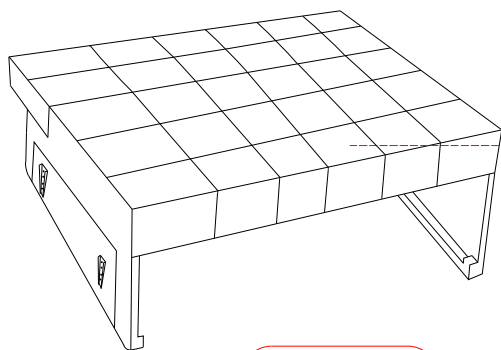
# INSTRUCTION



## SLEEPER SOFA

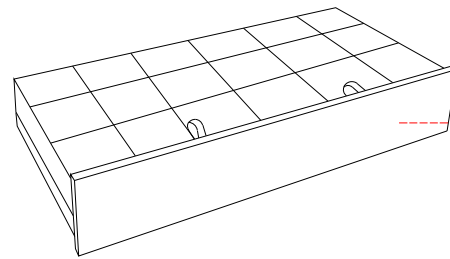


## PARTS LIST



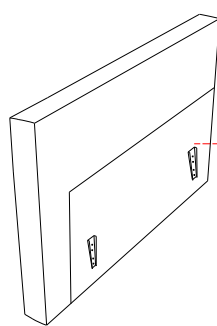
A X 1pc

Couch



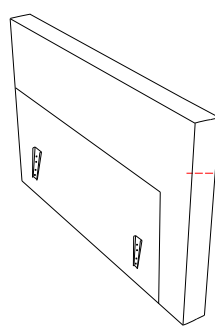
B X 1pc

Trundle bed



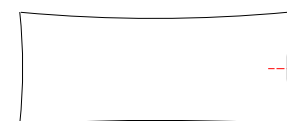
C X 1pc

Left arm



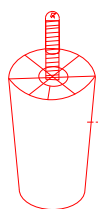
D X 1pc

Right arm



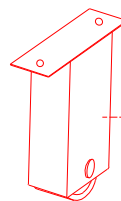
E X 2pc

Pillow



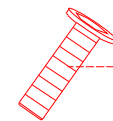
F X 8pc

Legs



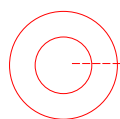
G X 4pc

Legs



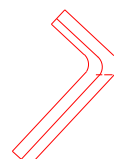
H X 8pc  
(M6\*25MM)

Short screw



J X 8pc  
(M6)

Washers

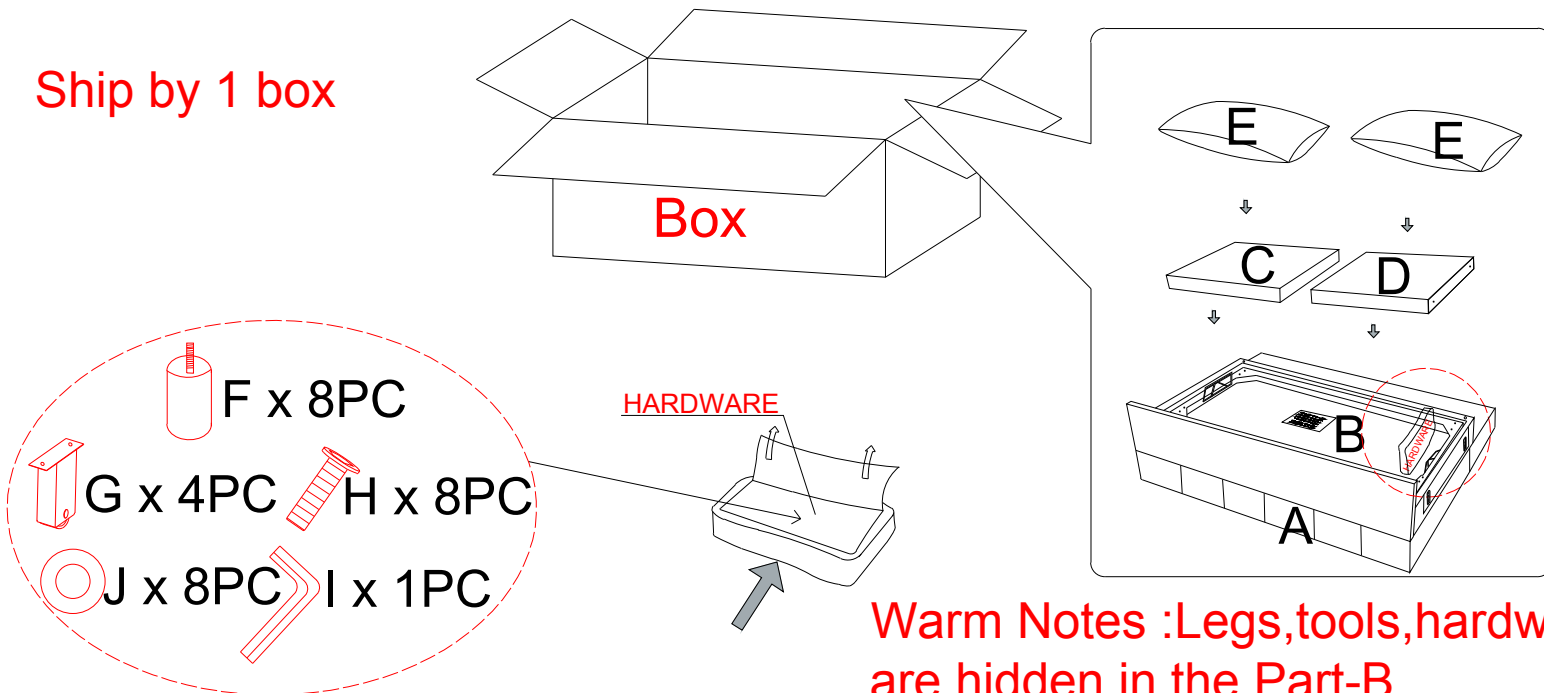


I X 1pc  
(M4)

L-Shaped Wrench

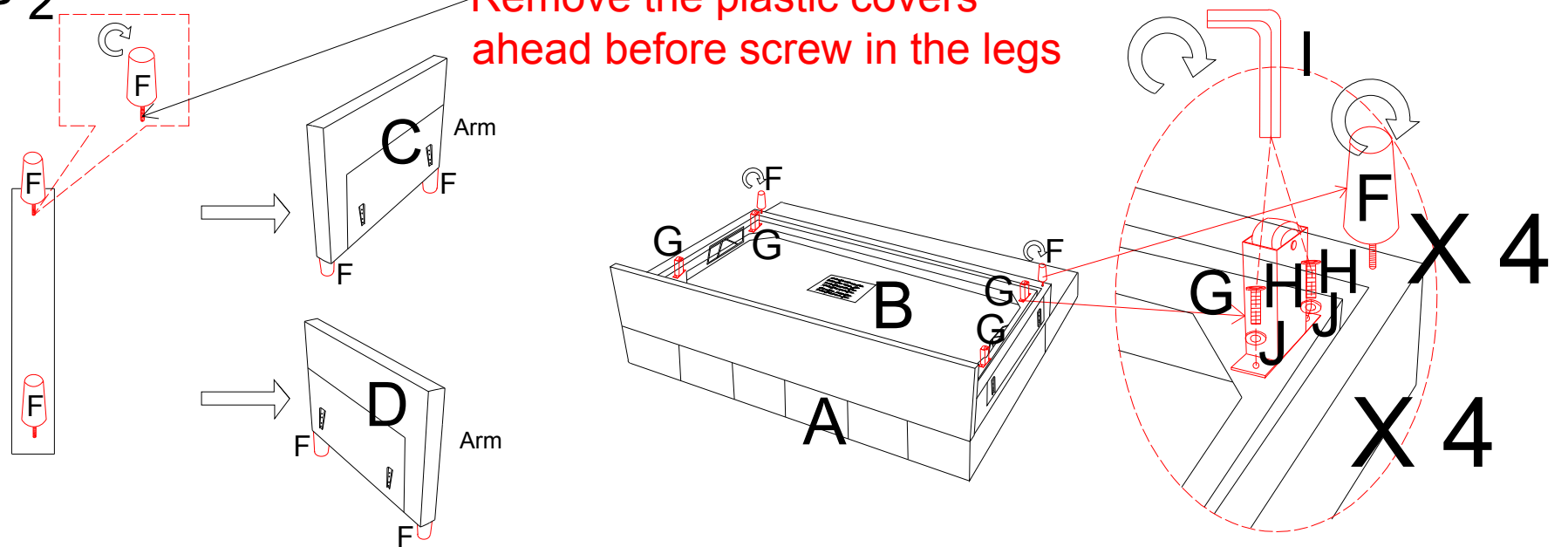
# STEP 1

Ship by 1 box

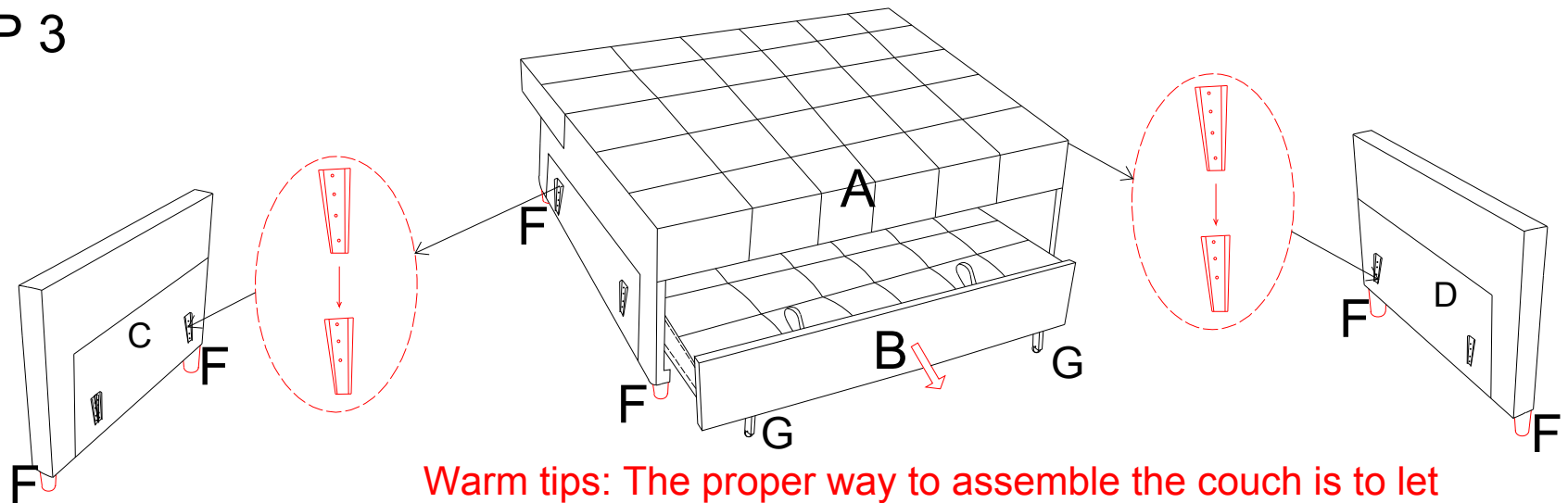


# STEP 2

Remove the plastic covers ahead before screw in the legs

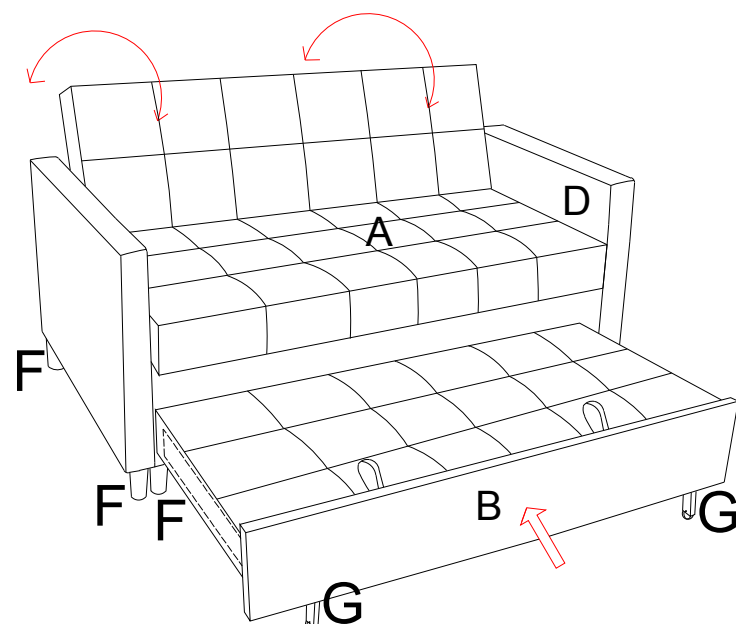


# STEP 3

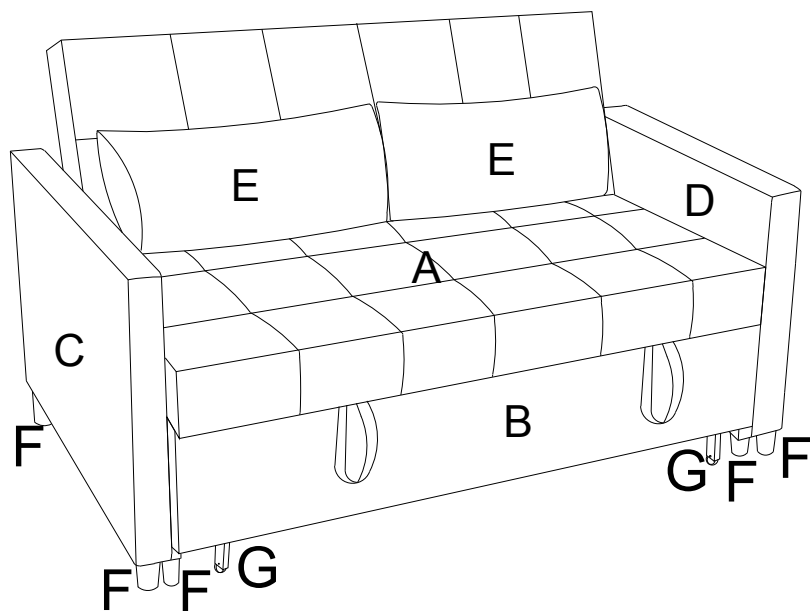


Warm tips: The proper way to assemble the couch is to let the arms stand first, then lift up the main body and lock it into the arms. 2persons are recommended in the assembly

# STEP 4



## STEP 5



### **Notice:**

Thank you for purchasing this quality product. Be sure to check all the packing material carefully for small parts, which may have come loose inside the carton during shipment. Identify and count all parts and compare with Part List on Page 1.