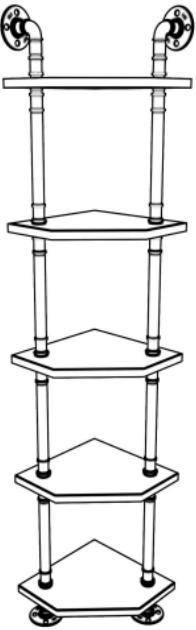





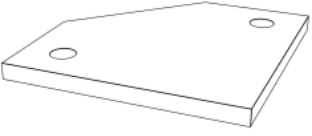








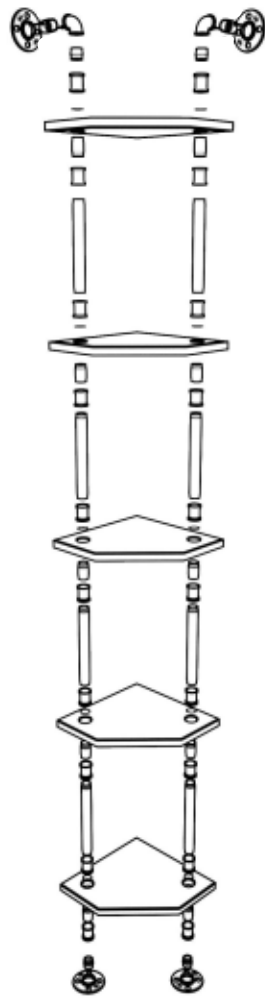
# SKU: 6090-BS505BRN

## ASSEMBLY INSTRUCTION

	<p>A</p>  <p>4 PCS</p>	<p>B</p>  <p>16PCS</p>	
	<p>C</p>  <p>2PCS</p>	<p>D</p>  <p>20PCS</p>	
<p>E</p>  <p>8PCS</p>	<p>F</p>  <p>5PCS</p>	<p>G</p>  <p>10PCS</p>	<p>H</p>  <p>8PCS</p>
<p>I</p>   <p>8PCS</p>	  <p>1PC</p>		

Please unscrew all spare parts before assembling.  
 If you find the screw thread is rusty, please don't worry,  
 it will not affect the installation and use.

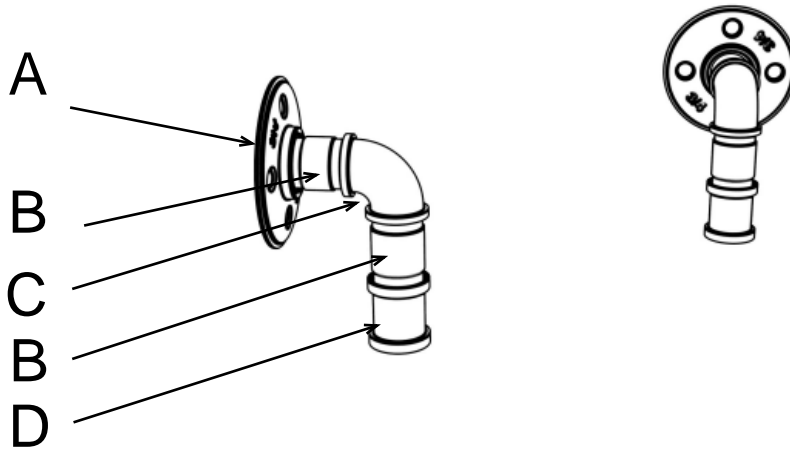
SKU: 6090-BS505BRN  
ASSEMBLY INSTRUCTION



Decomposition Diagram

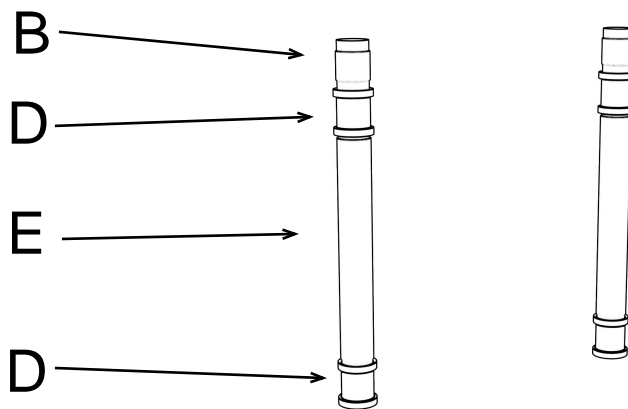
SKU: 6090-BS505BRN  
ASSEMBLY INSTRUCTION

STEP 1



2PCS

STEP 2

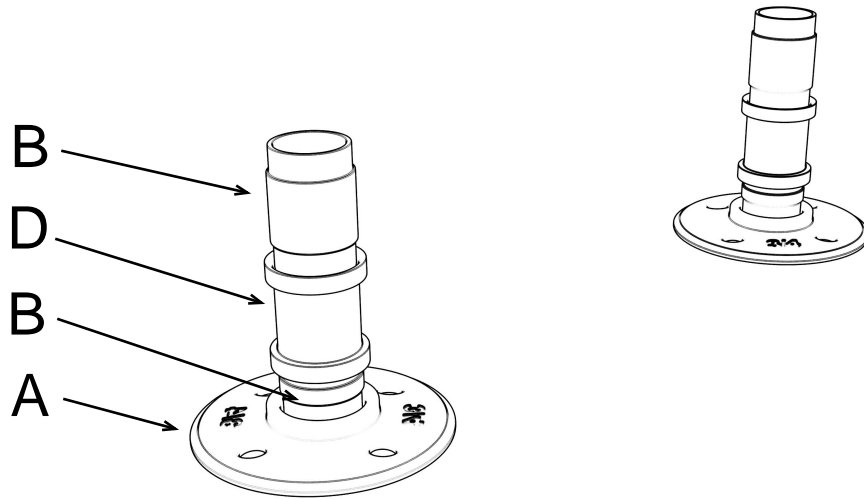


8PCS

# SKU: 6090-BS505BRN

## ASSEMBLY INSTRUCTION

STEP 3

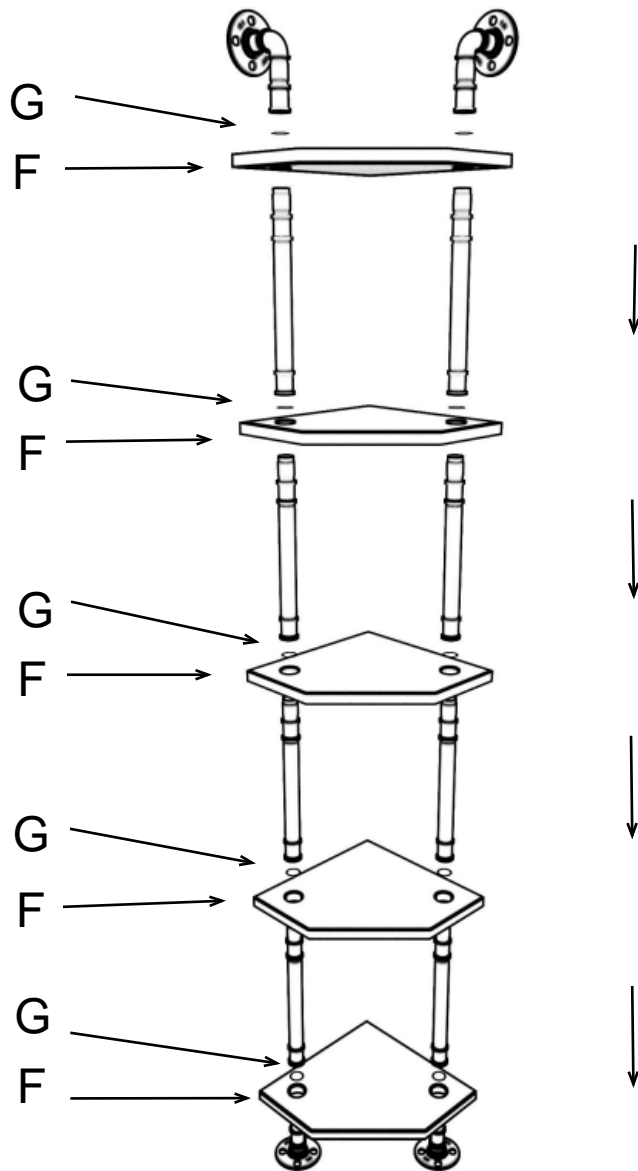


2PCS

# SKU: 6090-BS505BRN

## ASSEMBLY INSTRUCTION

### STEP 4



SKU: 6090-BS505BRN  
ASSEMBLY INSTRUCTION

STEP 5

