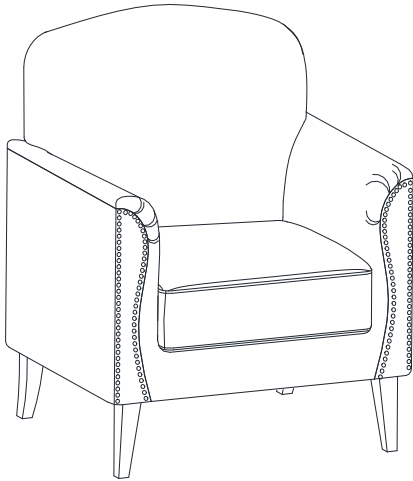
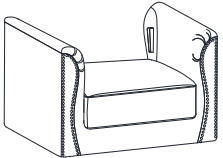
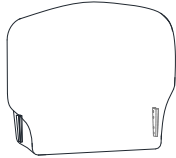



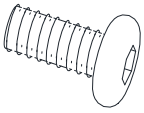
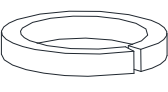
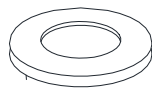



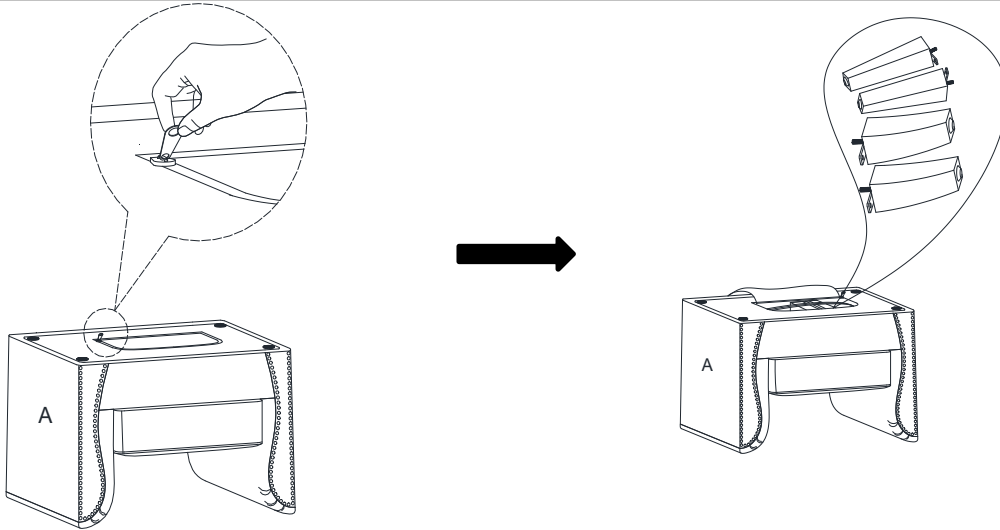
Assembly Instructions

1. Remove all parts from the carton and place them on a protected surface or carpet.



NO.	Parts	NO.	Parts
A	 *1	B	 *1
C	 *1	D	 *1
E	 *2	①	 *4
②	 *4	③	 *4
④	 *1		

2. Take out the wood legs (C&D&E) out from the Seat(A).



3. Attach the wood front legs (C&D) & back legs (E) to the corners of the seat cushion (A) as shown. Be careful not to hurt your hand when attach the wood legs.

4. Attach the back cushion (B) to the seat cushion (A) by sliding the receivers into the mechanism posts located on the seat cushion (A).

