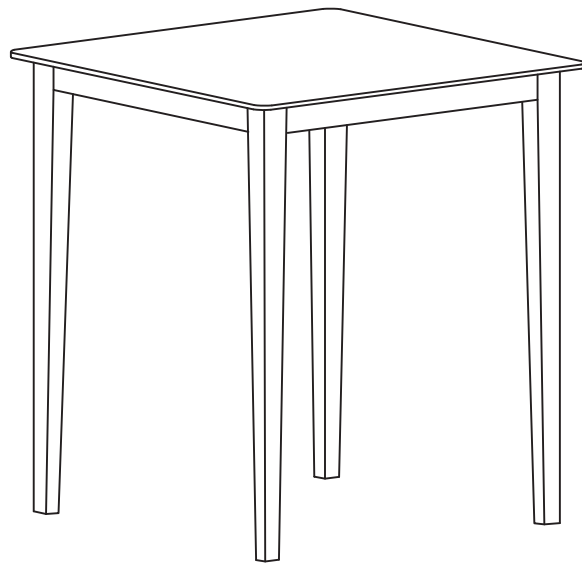


Tapered Leg Pub Table



Congratulations! You have purchased a stylish piece. We strive to provide fine furniture products, built with quality materials and hand finished details. Please carefully follow the assembly instructions to ensure your furniture is assembled correctly to provide long lasting enjoyment.



Please note, the assembly hardware is located in a plastic bag that is attached to the underside of the seat bottom.





Should you experience any missing or damaged parts, **do not return to the store.** Please contact us directly.

Care: Use a soft clean cloth that will not scratch the surface when dusting. Use of furniture polish is not necessary. Should you choose to use polishes, test in an inconspicuous area first. Use of solvents of any kind may damage your furniture's finish. To clean, simply use a soft clean cloth moistened with lukewarm water, then buff with a dry soft clean cloth.

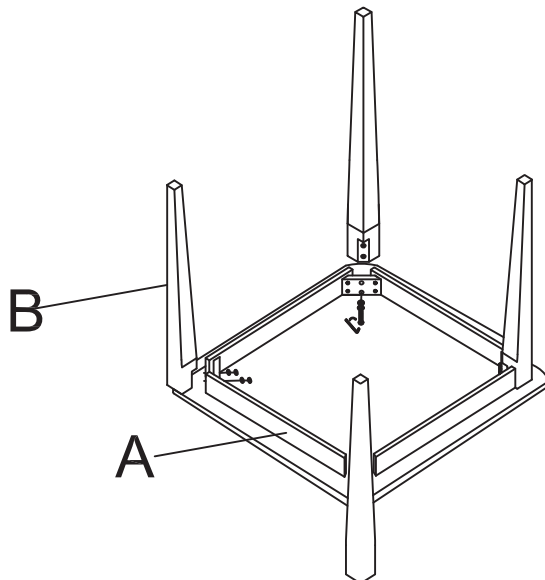
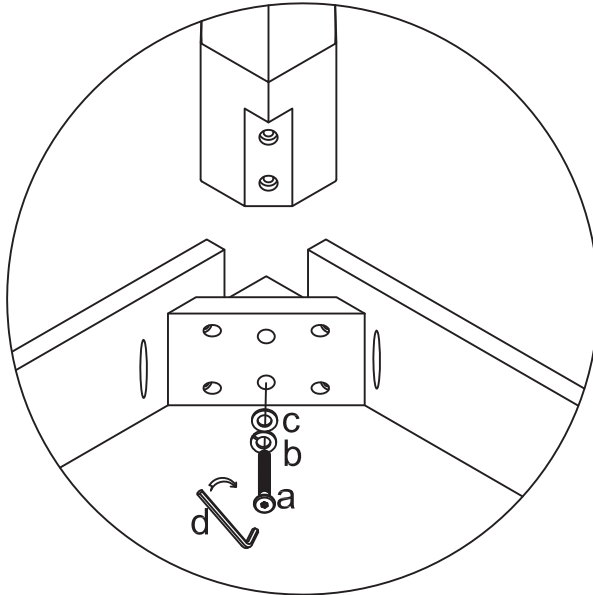
ASSEMBLY INSTRUCTIONS

DESCRIPTION: TAPERED LEG PUB TABLE

Part Lists			
No.	Description	Sketch	Q'ty
A	TABLE FRAME		1 PC
B	LEG		4 PCS

Hardware Lists			
No.	Description	Sketch	Q'ty
a	BOLT (5/16 x60")		8 PCS
b	SPRING WASHER		8 PCS
c	FLAT WASHER		8 PCS
d	ALLEN WRENCH		1 PC

Attach legs (B) to the table frame (A) using the bolts (a), spring washers(b) and flat washers (c) completely with supplied Allen wrench (d)



Limited Manufacturers Warranty

Our Products are warranted against defects in material and workmanship for a period of 90 days beginning from the date of sale. Should any parts be missing or defective, we will replace or repair the parts for a period of 90 days from the date of purchase.

Should you experience any missing or damaged parts, do not return to the store. Please contact us directly.

This warranty gives the purchaser specified legal rights in addition to any rights which may vary from state to state.

In accordance with the "Moss-Magnuson Warranty Act" of July 10, 1975, this is termed a "limited warranty" which in no way compromises our high standards of Quality and Workmanship.