

WARNING!!

Children have died from furniture tipover. Tip restraints have been included with this product; you must install the tip restraints according to these instructions in order to minimize the risk of furniture tipping. If you have any questions about this product or the tip restraint, please send us an email at tip_restraint_help@Noblehousefurniture.com

NEVER allow children to climb or hang on furniture, including drawers or cabinet doors.

In addition to installing the restrains, to help prevent tip-over

1. **NEVER** put a TV or other heavy objects on top of this product.

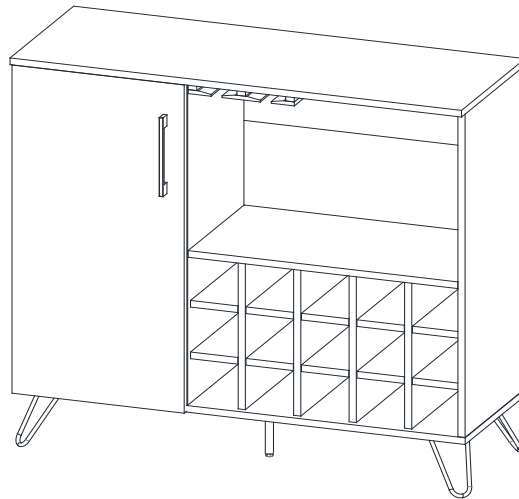
2. Do not stand on the product







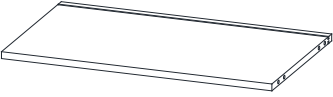
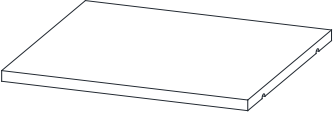

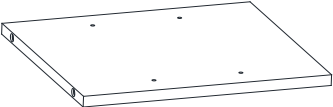
Assembly Instructions

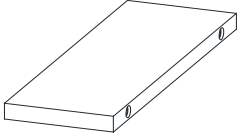

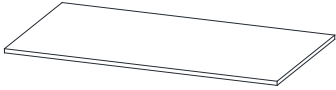

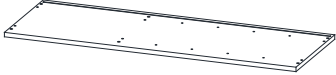
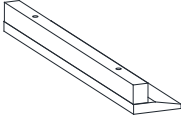
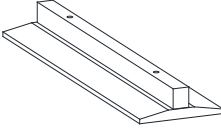



Caution : You must read this before you proceed









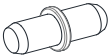

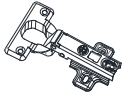


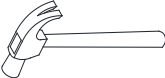

WINE CABINET

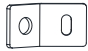






Parts List

Label	Picture	Description	QTY
A		Top Panel	1
B		Left Side Panel	1
C		Right Side Panel	1
D		Center Panel	1
E		Middle Panel	1
F		Shelf Panel	1
G		Door Panel	1
H		Lower Spacer	4

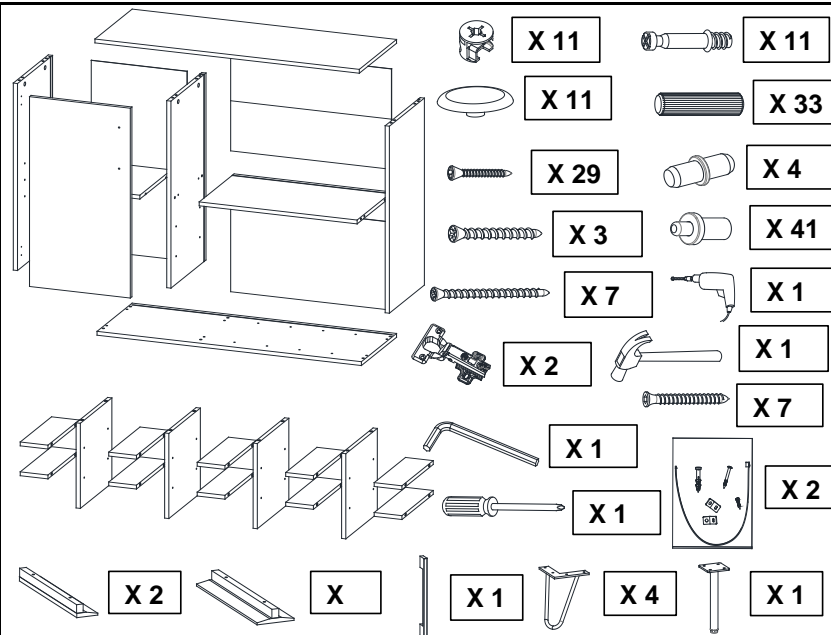
I		Lower Middle Panel	10
J		Upper Back Panel	1
K		Lower Back Panel	1
L		Side Back Panel	1
M		Bottom Panel	1
N		Side Glass Holder	2
O		Middle Glass Holder	1
P		Handle	1
Q		Leg	4
R		Center Leg	1

Hardware			
Label	Picture	Description	QTY
①		Cam Lock	11
②		Cam Bolt	11
③		Cam Cap	11
④		Positioning Dowel (8*30mm)	33
⑤		Screw (3.5*16mm)	29
⑥		Screw (4*25mm)	3
⑦		Screw (4*38mm)	7
⑧		Cap Wood Screw (M6*50mm)	7
⑨		Metal Shelf Support	5
⑩		Spring Door Support	41
⑪		Connector	2
⑫		Allen Key	1
⑬		Screwdriver (not provided)	1
⑭		Hammer (not provided)	1
⑮		Power Drill (not provided)	1

Cabinet Restraint Device Hardware			
①6		Metal Bracket	4
①7		Wall Plug	2
①8		Wall Plug Screw	2
①9		Pan Head Screw	2
②0		Cabinet Restraint Strap	2

Assembly Preparation

Before Beginning Assembly:



- Read instructions, cover to cover-



- Have 2 adults on hand for assembly-



- Do not assemble on flooring or carpet-



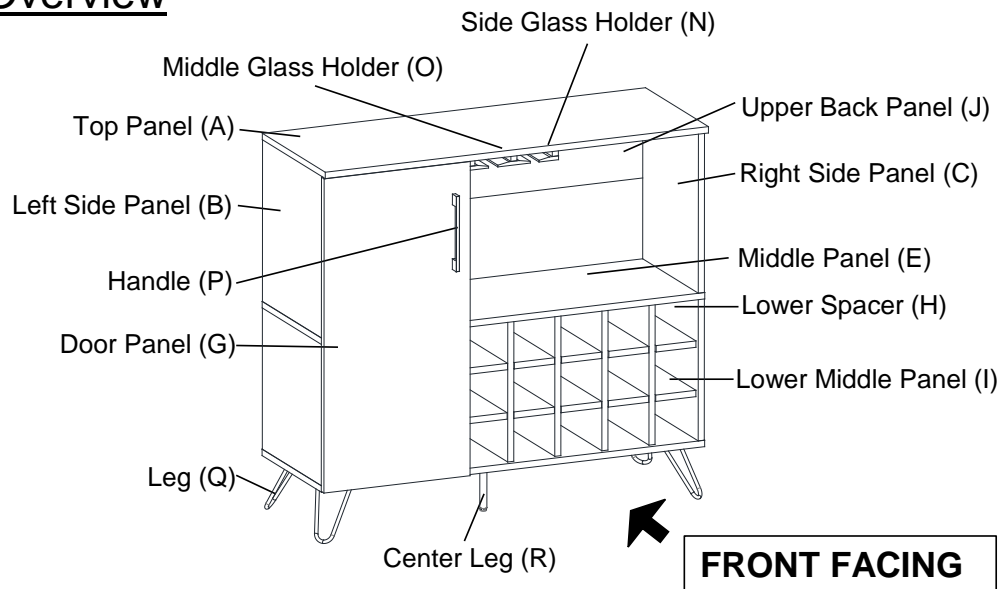
- Assemble on a clean non-marring surface (packing foam)-



- Save all packaging until finished-

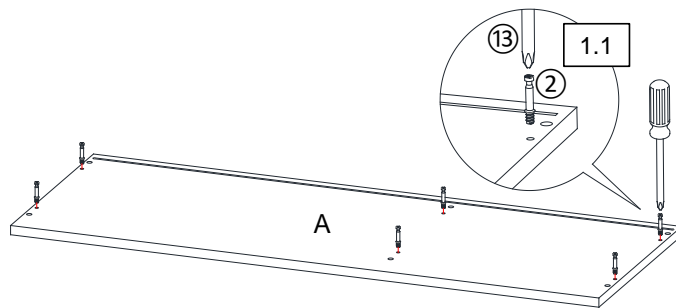
Assembly Steps

Overview



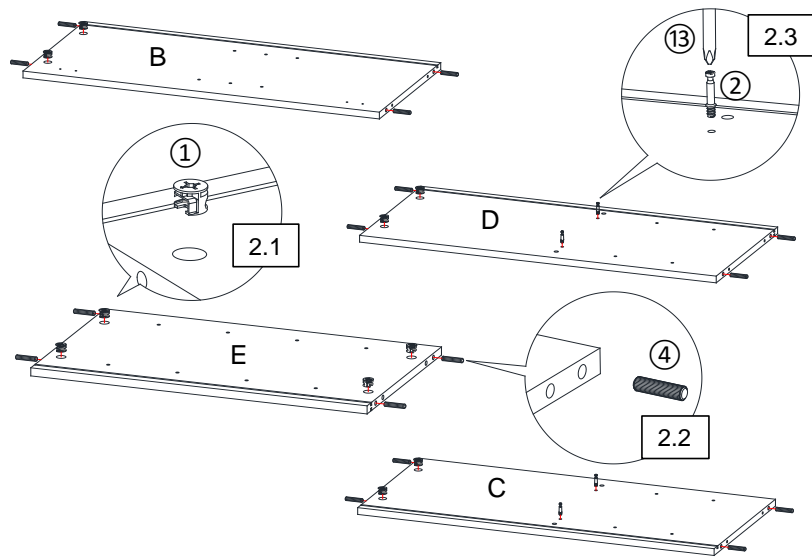
This Wine Cabinet has multiple parts and may require up to some 60 minutes to assemble. To give you an overview of the Wine Cabinet parts, the above picture is to help you put the various parts into perspective. Please read through the instructions below to familiarise yourself with the parts and steps before assembly.

Step 1



Unpack and place all parts on a clean, non-marring surface.
1.1) Attach Cam Bolts(②) to the mounting positions on the Top Panel (A) with a Screwdriver(⑬).

Step 2

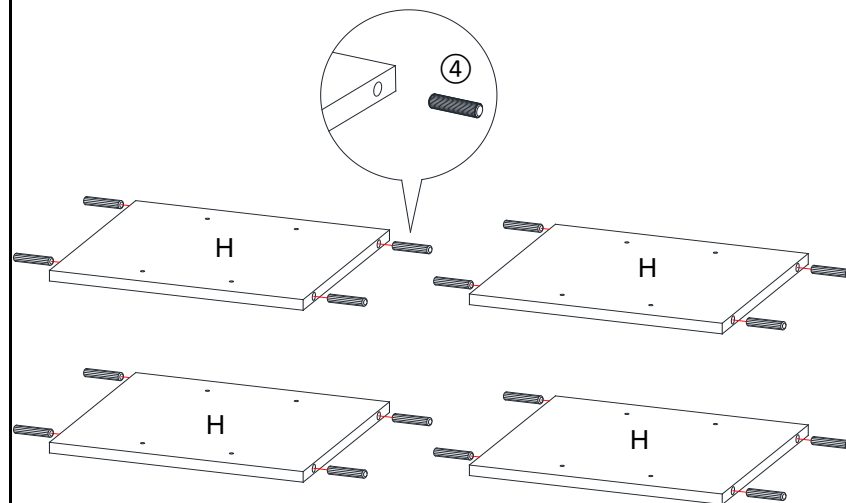


2.1) Insert Cam Locks(①) into the mounting positions on the Left Side Panel (B), the Right Side Panel (C), the Center Panel (D) and the Middle Panel (E) by hand.

2.2) Insert Positioning Dowels(④) into the mounting positions on the Left Side Panel (B), the Right Side Panel (C), the Center Panel (D) and the Middle Panel (E) by hand.

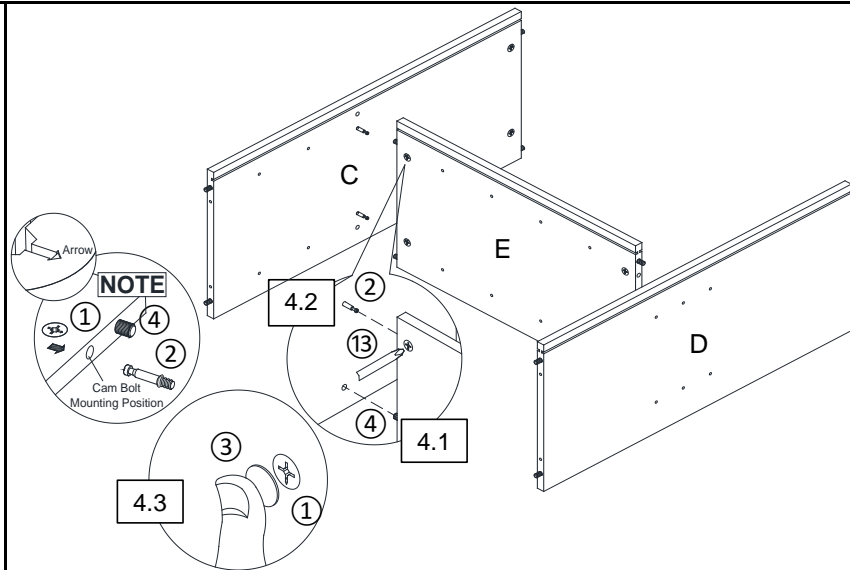
2.3) Attach Cam Bolts(②) to the mounting positions on the Right Side Panel (C) and the Center Panel (D) with a Screwdriver(⑬).

Step 3



Insert Positioning Dowels(④) into the mounting positions on the Lower Spacer (H) by hand.

Step 4



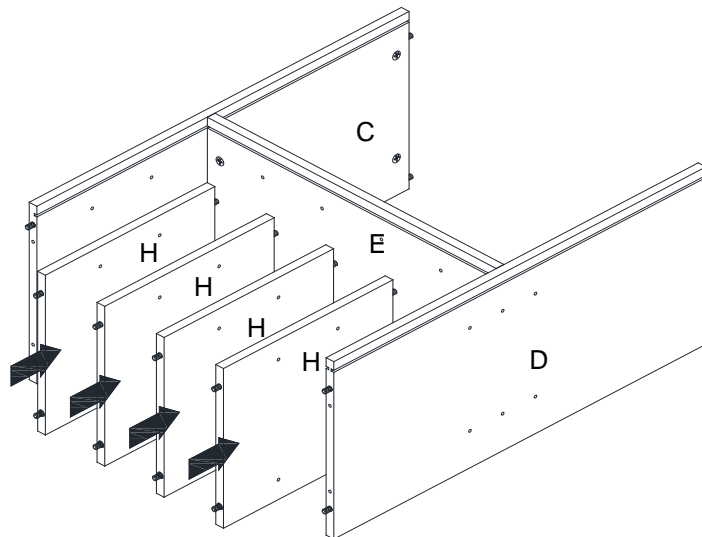
4.1) Insert the Positioning Dowels(④) of the Middle Panel (E) into the mounting positions on the Right Side Panel (C) and the Center Panel (D).
Note: Ensure the arrows on the Cam Lock head points towards the Cam Bolt mounting position.

Insert Cam Bolts(②) on the Right Side Panel (C) and the Center Panel (D) into the mounting positions on the Middle Panel (E).

4.2) Turn the Cam Locks(①) clockwise with the Screwdriver(⑬) until they all lock into place.

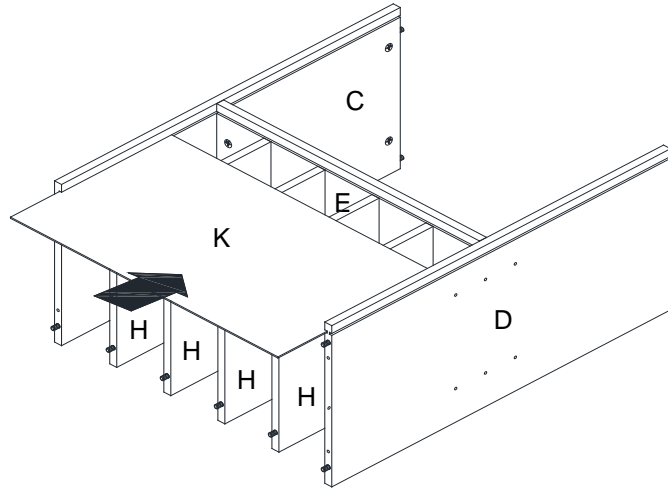
4.3) Cover Cam Locks(①) with the Cam Caps(③) by hand.

Step 5



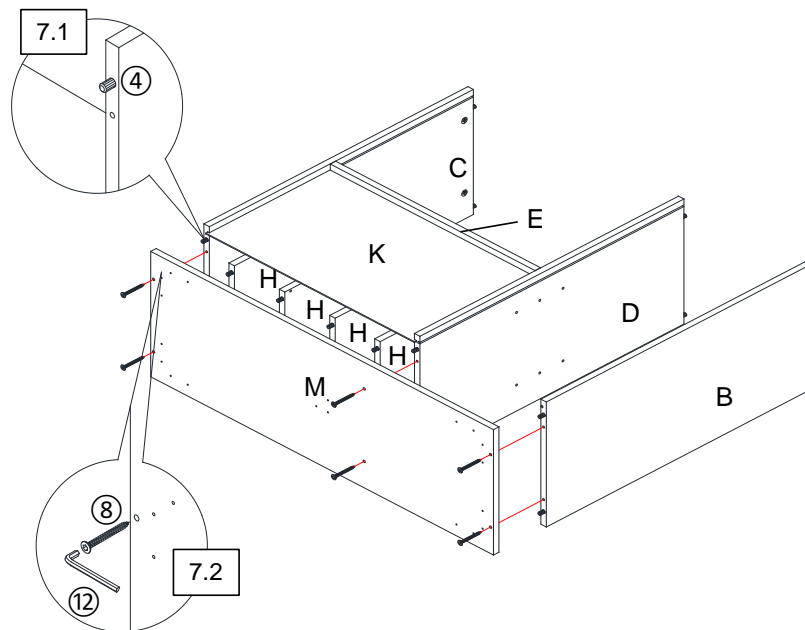
5.1) Insert the Positioning Dowels(④) of the Lower Spacer (H) into the mounting positions on the Middle Panel (E).

Step 6



Insert the Lower Back Panel (K) along the slot on the Right Side Panel (C) and the Center Panel (D).

Step 7

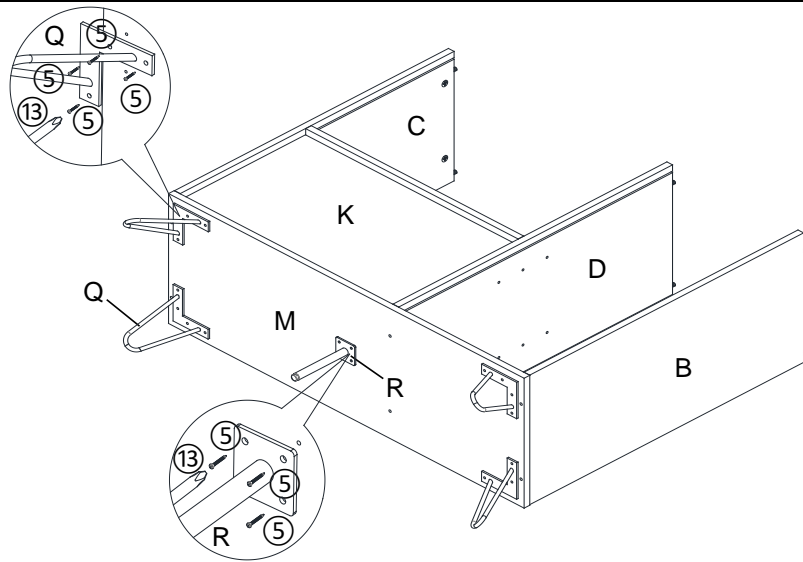


Make sure all panels which have grooves are facing upwards

7.1) Insert the Positioning Dowels(④) of the Left Side Panel (B), the Right Side Panel (C), the Center Panel (D) and the Lower Spacer (H) into the mounting positions on the Bottom Panel (M).

7.2) Attach the Bottom Panel (M) to the Cabinet using the Cap Wood Screws(⑧) and the Allen Key(⑫).

Step 8

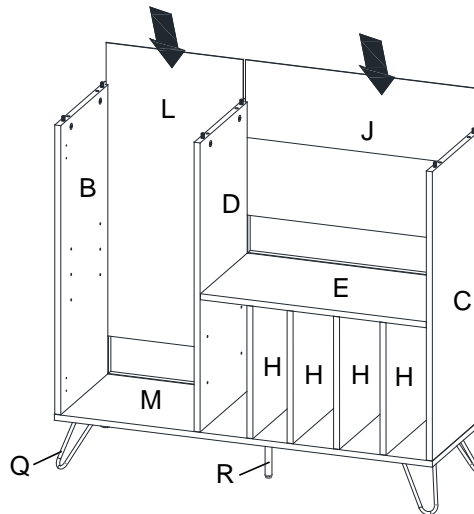


Attach the Legs (Q) and the Center Leg (R) to the Bottom Panel (M) using Screws(5) and a Screwdriver(13).

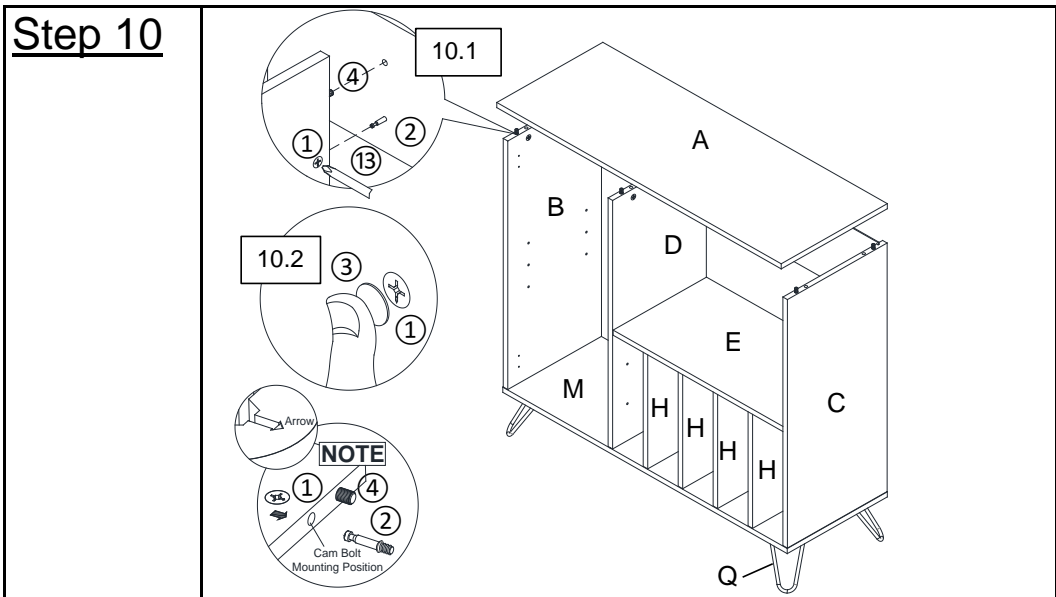
Tighten the Screws fully in a sequential manner.

Note: Legs (Q) should be facing outwards. Misassembly and reassembly may cause damage and instability to the product. There are pre-existing mounting positions on the Bottom Panel to attach the Legs.

Step 9



Insert the Upper Back Panel (J) and the Side Back Panel (L) along the slot on the Left Side Panel (B), the Right Side Panel (C) and the Center Panel (D).

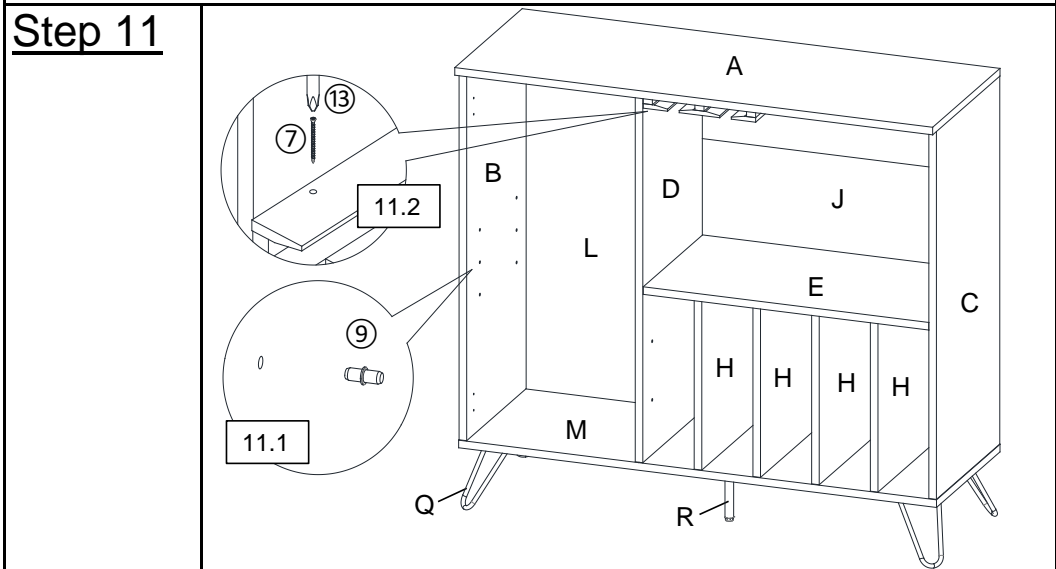


10.1) Insert the Positioning Dowels(4) of the Left Side Panel (B), the Right Side Panel (C) and the Center Panel (D) into the mounting positions in the Top Panel (A).

Note: Ensure the arrows on the Cam Lock heads point towards the Cam Bolt mounting positions.

Insert Cam Bolts(2) on the Top Panel (A) into the mounting positions on the Left Side Panel (B), the Right Side Panel (C) and the Center Panel (D). Turn the Cam Locks(1) clockwise with the Screwdriver(13) until they all lock into place.

10.2) Cover the Cam Locks(1) with Cam Caps(3).

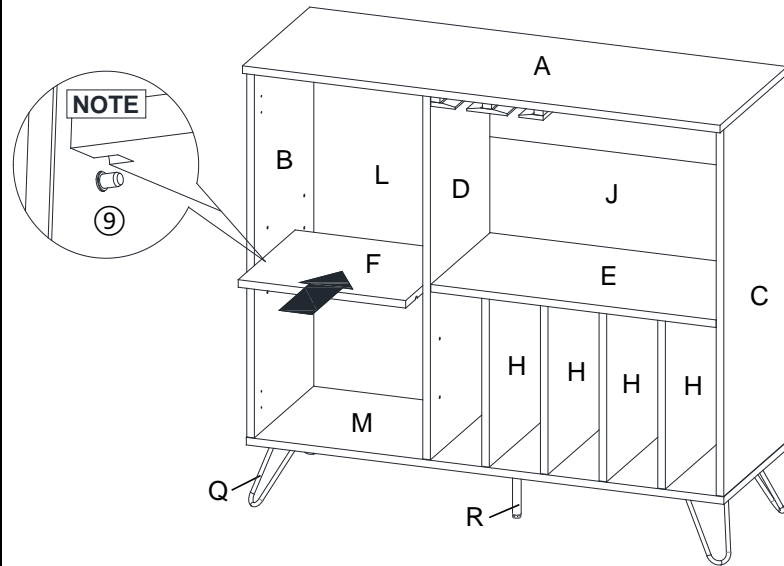


Flip the whole Wine Cabinet over.

11.1) Insert the Metal Shelf Support(9) into the mounting positions on the Left Side Panel (B) and the Center Panel (D) by hand.

11.2) Attach the Side Glass Holder (N) and the Middle Glass Holder (O) to the Top Panel (A) using Screws(7)and a Screwdriver(13).

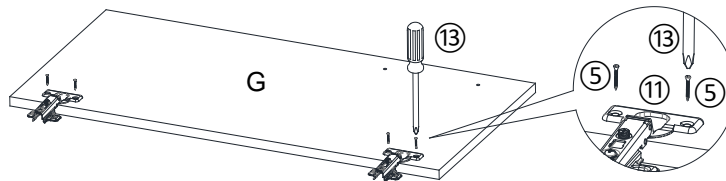
Step 12



Put the Shelf Panel (F) in place on the Metal Shelf Supports(9).

Note: There are lead mounting positions on the Shelf Panels (F) to fit the Metal Shelf Supports(9).

Step 13

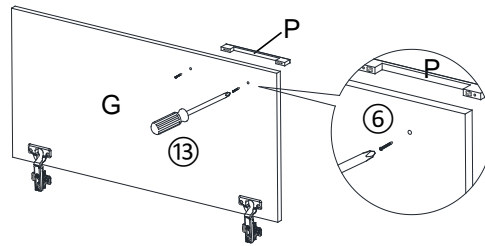


Attach the Connectors(11) to the Door Panel(G) using Screws(5) and a Screwdriver(13).

Tighten the Screws fully in a sequential manner.

Note: There are pre-existing mounting positions on the Door Panel to attach the Connectors.

Step 14

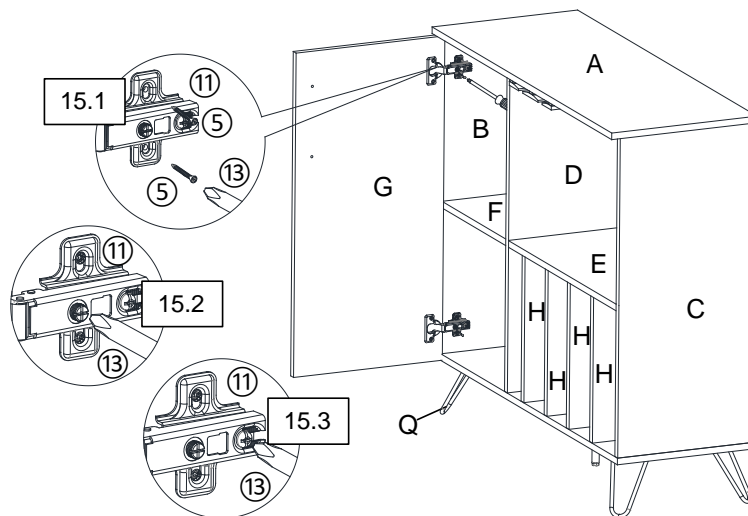


Attach the Handle (P) to the Door Panel (G) using Screws(⑥) and a Screwdriver(⑬).

Tighten the Screws fully in a sequential manner.

Note: There are pre-existing mounting positions on the Door Panel to attach the Handle.

Step 15



15.1) Attach the Connectors(⑪) to the Left Side Panel (B) using Screws(⑤) and a Screwdriver(⑬).

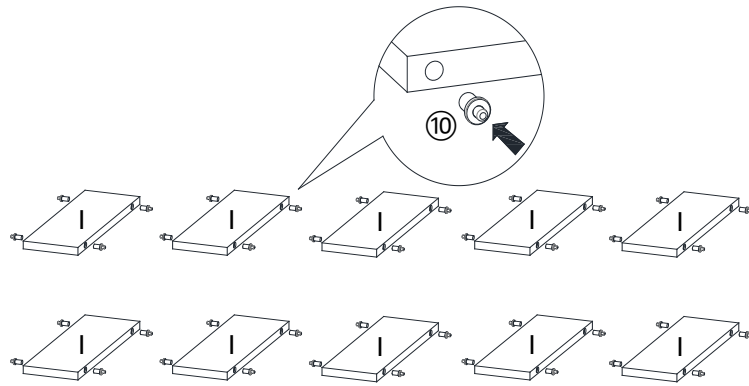
Tighten the Screws fully in a sequential manner.

15.2) Rotate the first screw on the Connectors(⑪) to adjust the left-right position of the Door Panel (G) when necessary.

15.3) Rotate the second screw on the Connectors(⑪) to adjust the in-out position of the Door Panel (G) when necessary.

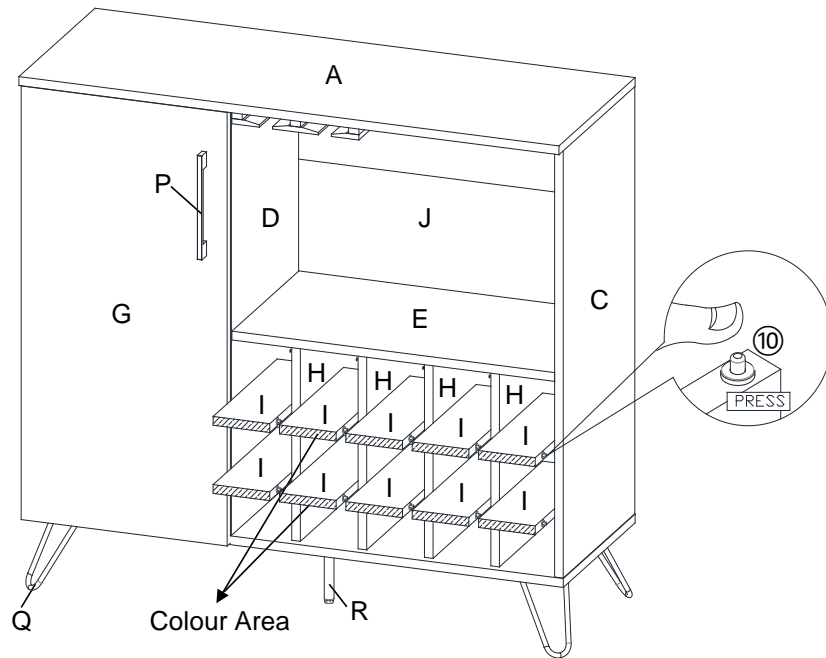
Note: There are pre-existing mounting positions on the Left Side Panel to attach the Connectors.

Step 16



Insert the Spring Door Support(10) into the mounting positions on the Lower Middle Panel (I) by hand.

Step 17



Insert the Lower Middle Panel (I) with the colour Area facing the front in between the Lower Spacer (H).

Cabinet Restraint Device Installation Instructions

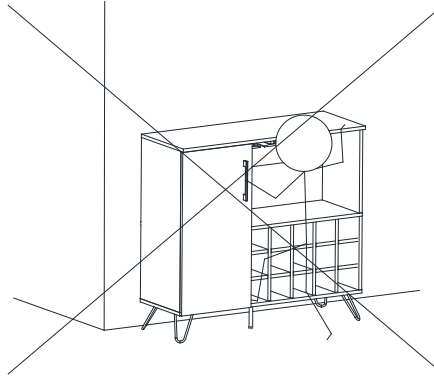


WARNING

Serious or fatal crushing injuries can occur from tipping furniture.

To help prevent tip-over: **ALWAYS** secure this furniture to the wall using Cabinet Restraint Device.

See product instructions for more ways to help prevent furniture tip-over.

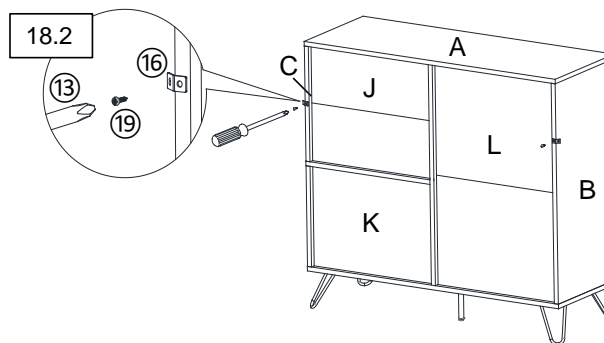


Usage For Cabinet Restraint Device:

To Secure the Wine Cabinet against the wall, attach Metal Brackets(16) to the wall and the product, and use Cabinet Restraint Straps(20) to connect the Metal Brackets(16).

Instructions:

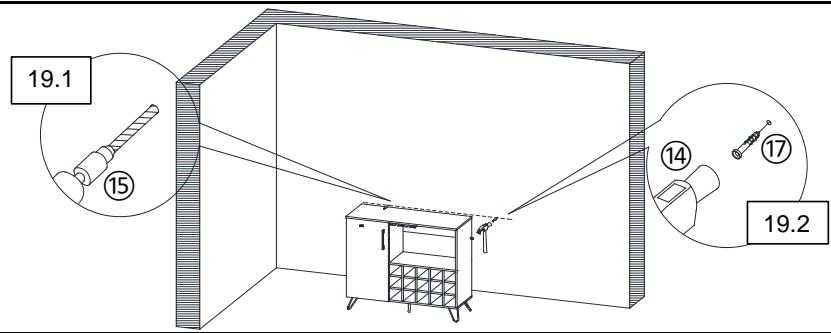
Step 18



18.1) Turn the Wine Cabinet so the back side faces you.

18.2) Attach Metal Brackets(16) to the Left Side Panel (B) and the Right Side Panel (C) using Pan Head Screws(19) and a Screwdriver(13).

Step 19



19.1) Using a Power Drill(15), Drill two holes into the wall at the same height as Metal Brackets(16) that you have placed on the Wine Cabinet.

You can mark these points in the following ways:

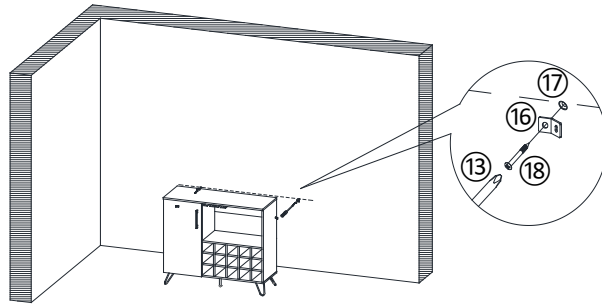
1) Move the Wine Cabinet back to the wall. Mark two points on the wall, the same height as the Wine Cabinet.

Note: The Metal Brackets need to be secured to a solid, load bearing surface. Please use a Stud Finder (not supplied) if needed to locate the Wall Frame.

2) Measure the height of the Metal Brackets(16) with a ruler/measuring tape and mark on wall to keep them accurate and at the same height.

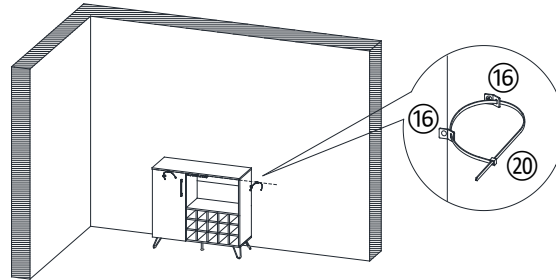
19.2) Insert the Wall Plugs(17) into the holes in the wall, using a Hammer(14).

Step 20



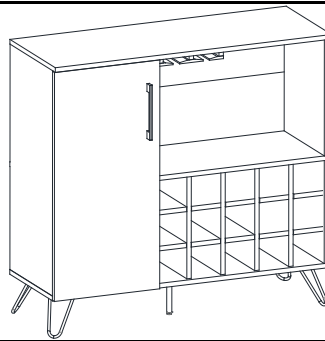
Attach the Metal Brackets(16) to the Wall Plugs(17) using Wall Plug Screws(18) and a Screwdriver(13).

Step 21



Move the Wine Cabinet back against wall. Pull the Cabinet Restraint Straps(20) through the Metal Brackets(16) on the wall and the Wine Cabinet one by one, and pull the Cabinet Restraint Straps(20) tight.





















Step 22



Your Wine Cabinet is ready for use.

This Wine Cabinet can only be used on a flat, level surface.

Care & Maintenance

-   ● Do not put hot items directly on furniture surface
 -   ● Do not clean furniture with harsh cleansers or polish.
 -   ● Do not place furniture under direct sunlight.
 -   ● Do not place furniture near heating or cooling vents.
 -   ● Do not write on furniture without a padded barrier to protect the surface.
 -   ● Do not place furniture outside . For indoor use only .
 -   ● Not for commercial use . For residential use only .
 -   ● Stains may be removed with mild soap solution and damp cloth .
 -   ● Children should not climb or jump on the furniture .
-
-   ● Dust and pick-up spills using a clean, non-colored, lint-free cloth .