

## NOTICE

- \* Please make sure that you have all parts indicated and they are in good condition before you begin assembly of this item. Refer to part list and hardware list below for guidance.
- \* This item should be assembled on a soft surface to prevent scratching the finish during assembly.
- \* This item may require periodic tightening.
- \* If you are having difficulty, our friendly Customer Care team is always here to help.

## PREPARATION

- \* Before beginning assembly of product, make sure all parts are present. Compare parts with part contents list and hardware contents list.
- \* If any part is missing or damaged, do not attempt to assemble the product.
- \* Estimated Assembly Time: **15 minutes**.
- \* Tools Required for Assembly (included): **Allen Key**

## CARE AND MAINTENANCE

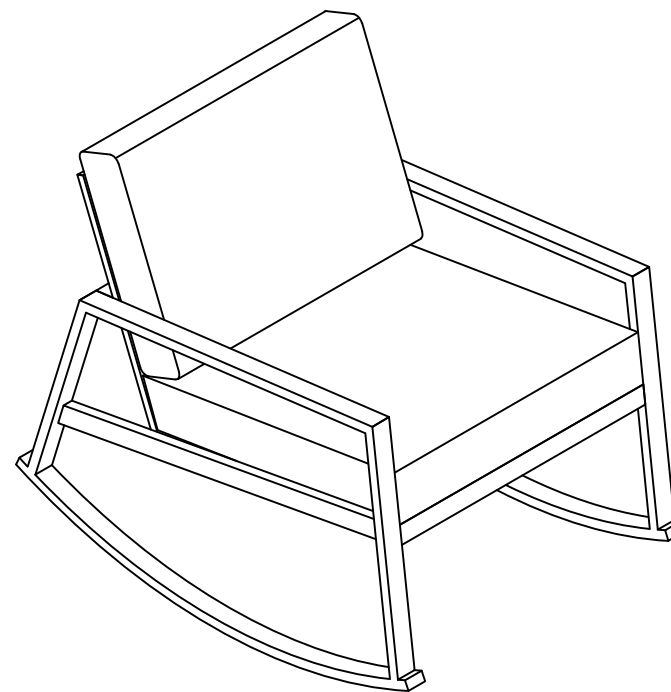
Store outdoor furniture indoors or cover well when not in use. Remove wooden furniture from standing water. Dust regularly with small brush or vacuum. Spills should be taken care of immediately before they harden or stain with a slightly dampened sponge. Do not use bleach solutions

### Part List and Hardware List

PIECE	DESCRIPTION	PICTURE	QUANTITY
A	Left Leg Chair		1X
B	Right Leg Chair		1X
C	Back Chair		1X
D	Seat Chair		1X
E	Support Chair		1X
CSH1	Back Cushion		1X
CSH2	Seat Cushion		1X
HW1	Allen Bolt: M6x0.5x60 mm		2X
HW2	Allen Bolt: M6x0.5x25 mm		6X
HW3	Flat Washer M6x1 mm		6X
HW4	Split Lock Washer 6 mm		2X
HW5	Allen Key		1X

### Product Dimensions

25.98"W x 37.01"D x 29.13"H (Chair)



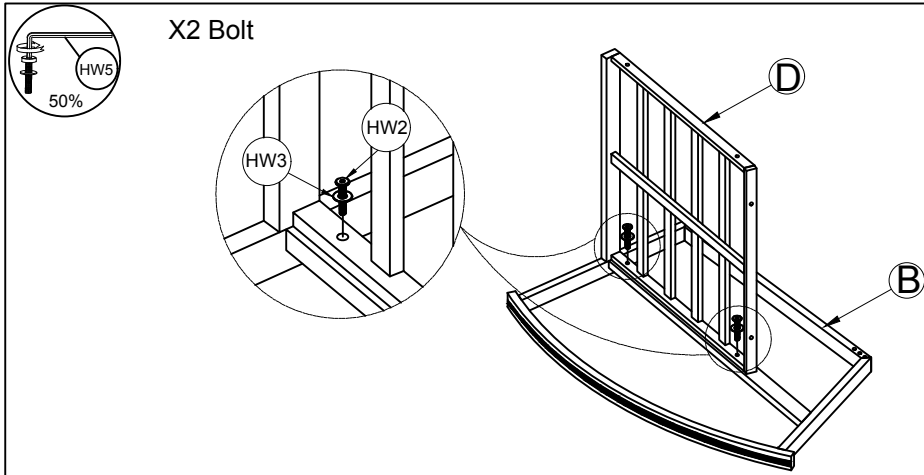
Weight Capacity : 352 lbs ( Chair)

Warning : Do not stand on Table/Chair

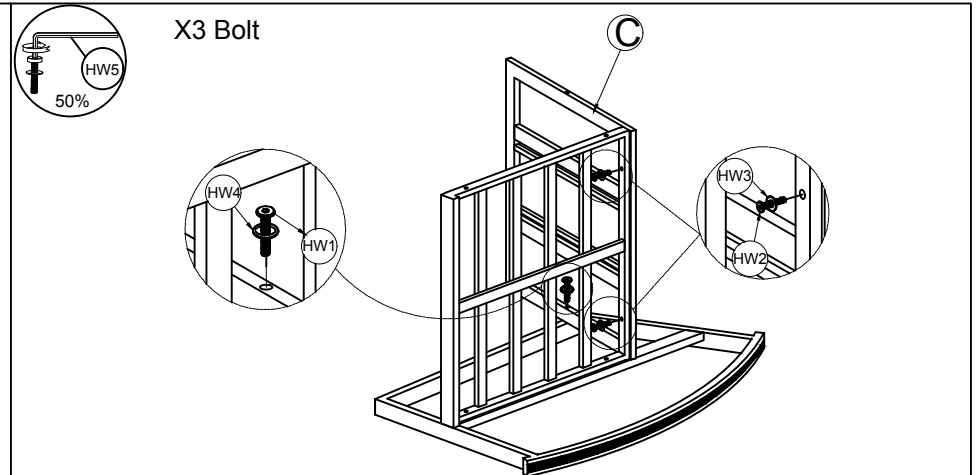
Warning : Do not over torque bolts/screws

## PREPARATION

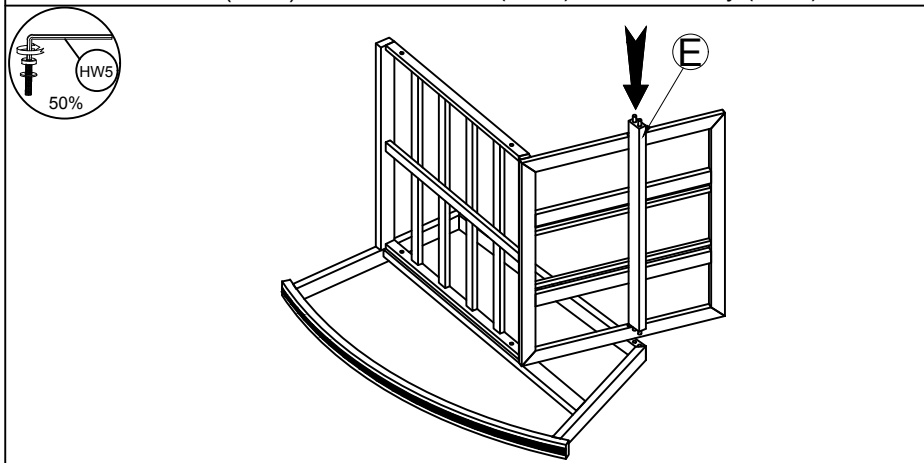
- \* Before beginning assembly of product, make sure all parts are present. Compare parts with part contents list and hardware contents list.
- \* If any part is missing or damaged, do not attempt to assemble the product.
- \* Estimated Assembly Time: **15 minutes.**
- \* Tools Required for Assembly (included): **Allen Key**
- \* If you are having difficulty, our friendly Customer Care team is always here to help.



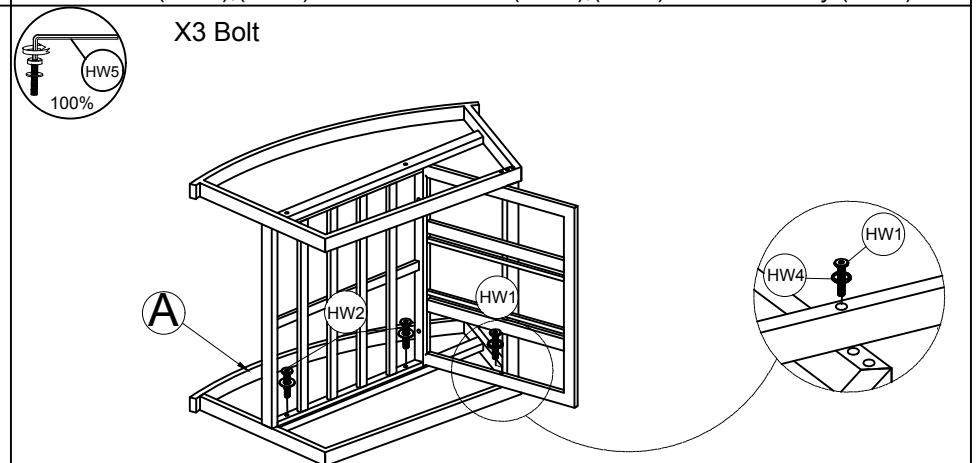
STEP 1: Connect Right Leg Chair (B) & Seat Chair (D) by tightening Allen Bolt (HW2) and Flat Washer (HW3) with Allen Key (HW5).



STEP 2: Connect the part from Step 1 with Back Chair Frame (C) by tightening Allen Bolt (HW1), (HW2) and Flat Washer (HW3), (HW4) with Allen Key (HW5).



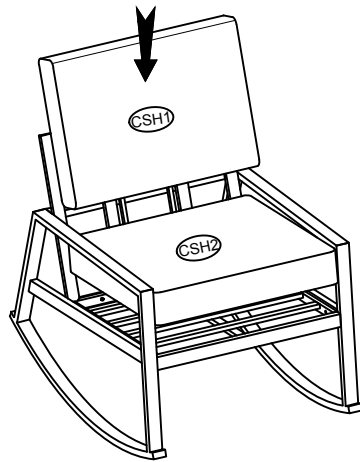
STEP 3: Connect the part from Step 2 with Support Chair (E) by Hand.



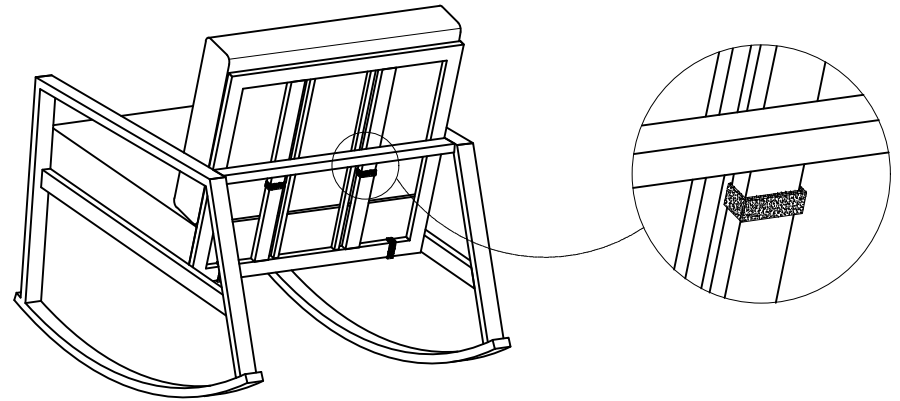
STEP 4: Connect the part from Step 3 with Left Leg Chair (A) by tightening Allen Bolt (HW1), (HW2) and Flat Washer (HW3), (HW4) with Allen Key (HW5). **2-3**

## PREPARATION

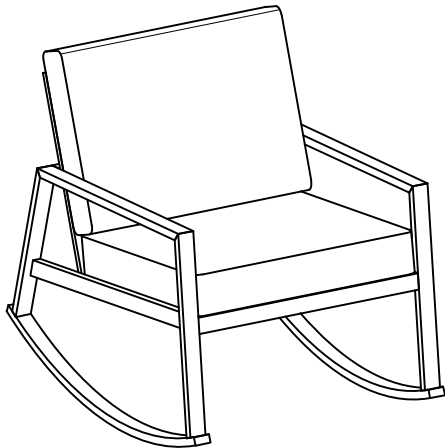
- \* Before beginning assembly of product, make sure all parts are present. Compare parts with part contents list and hardware contents list.
- \* If any part is missing or damaged, do not attempt to assemble the product.
- \* Estimated Assembly Time: **15 minutes.**
- \* Tools Required for Assembly (included): **Allen Key**
- \* If you are having difficulty, our friendly Customer Care team is always here to help.



STEP 5: Place Seat Cushion (CSH2) & Back Cushion (CSH1) to Finish Chair.



STEP 6: Tie Cushion to Finished Chair.



STEP 7: Finish.