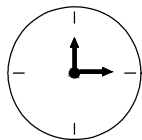
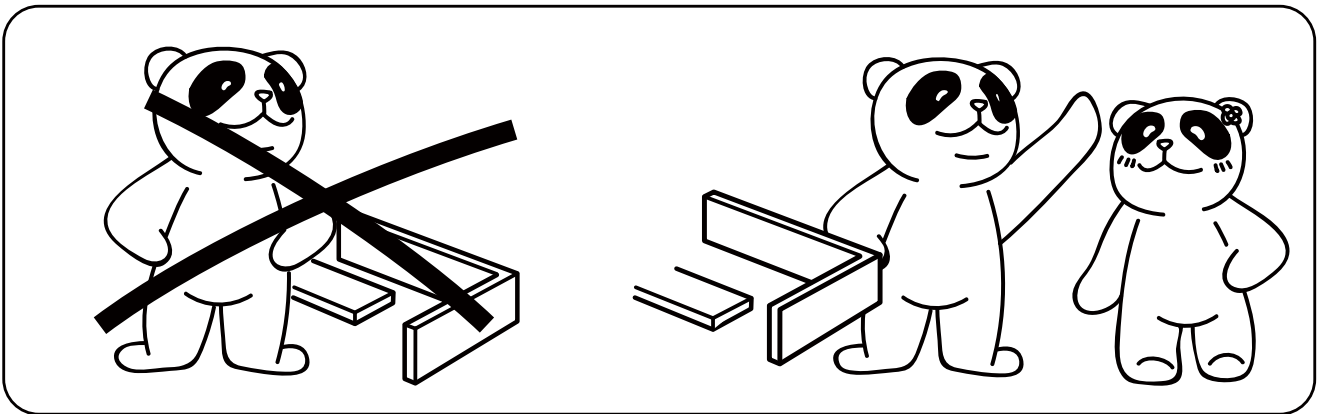
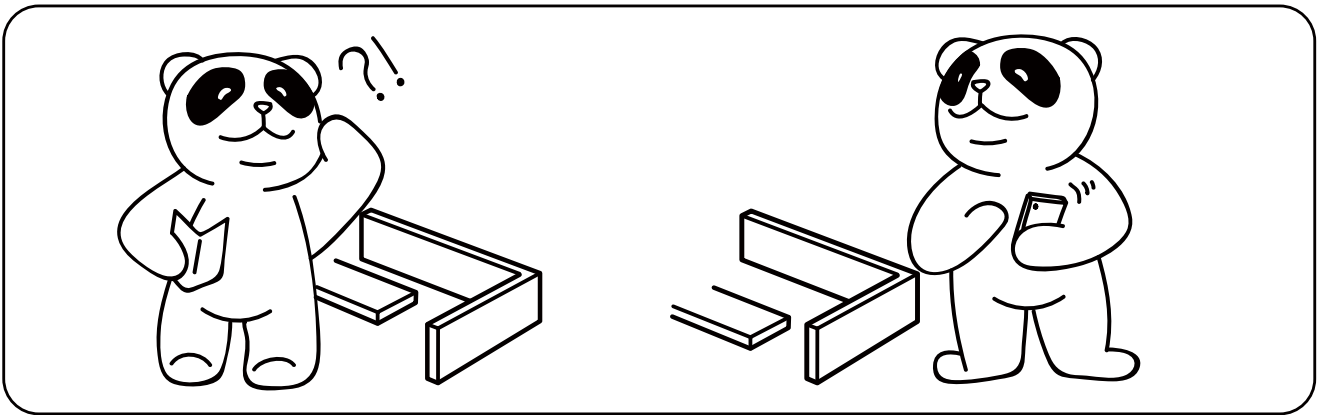
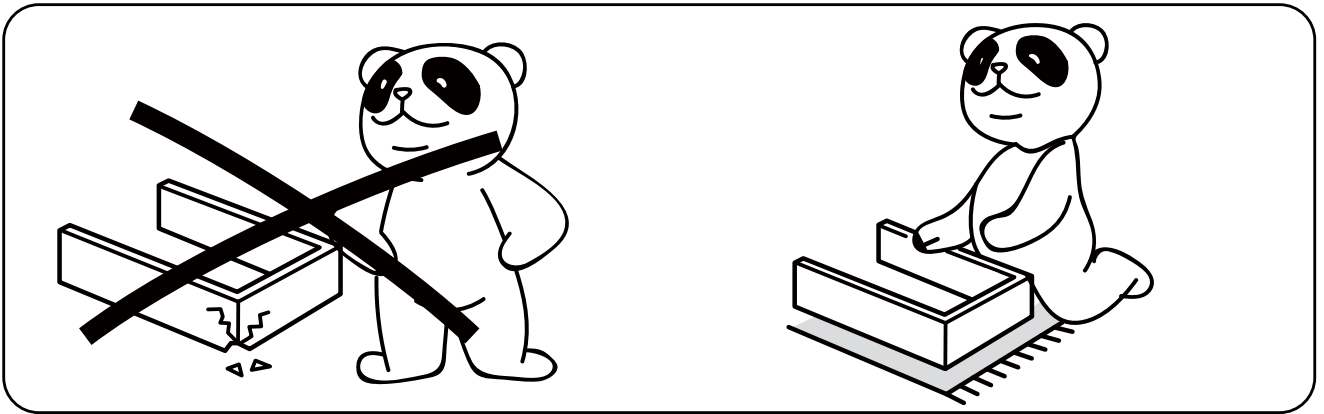
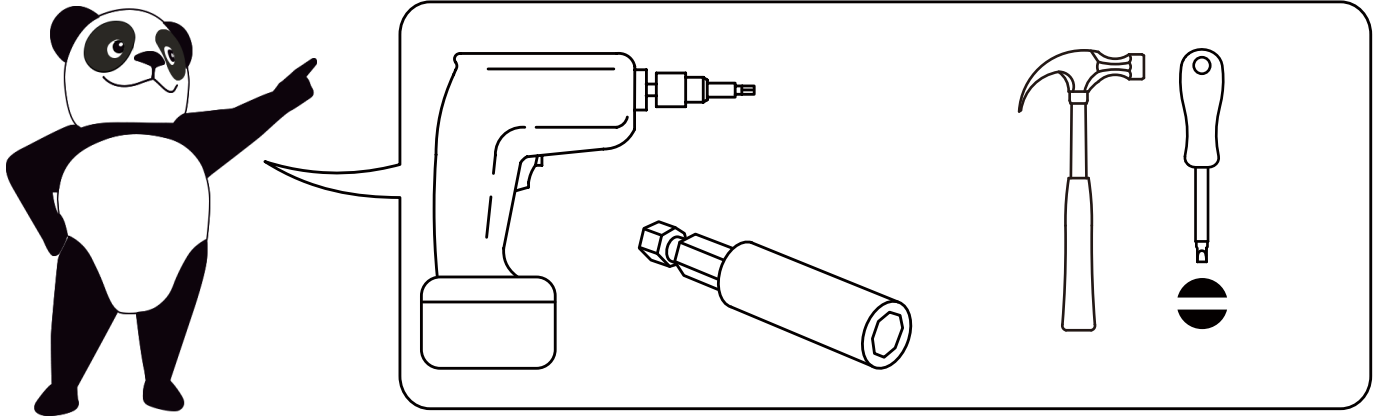


2 PERS.



210 MIN



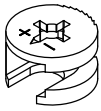
Installation parts



A

x56(+2)

Ø6x35mm



B

x56(+2)

Ø15x10mm



C

x72(+3)

Ø6x30mm



D

x38(+3)

Ø3.5x10mm

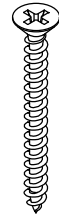


E1



E2

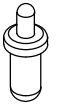
x5



F

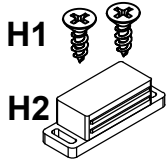
x41(+2)

Ø4x35mm



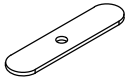
G

x2



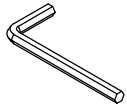
H

x2



I

x2



J

x1



K

x8



L

x10



M

x2



N

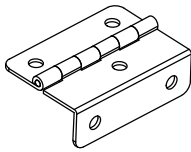
x2

Ø4x12mm



O

x5



P

x2



Q

x2



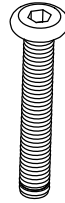
R1



R2

R

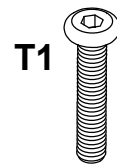
x1



S

x6

Ø6x40mm



T1

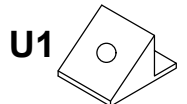


T2

T

x6

Ø6x30mm



U1



U2

U

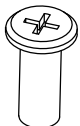
x16(+1)



V

x2

Ø6x15mm



W

x2

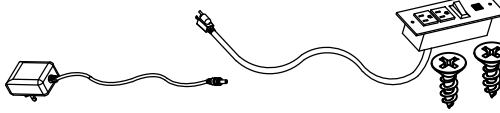
Ø8x20mm



X

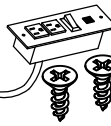
x10

Ø3.5x12mm



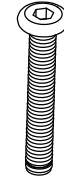
Y

x1



Z

x1



AA

x2

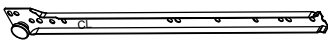
Ø6x50mm



BB

x2

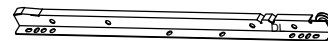
Ø10x10mm



CL

x3

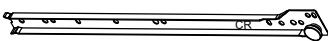
L300mm



DL

x3

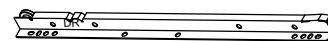
L300mm



CR

x3

L300mm



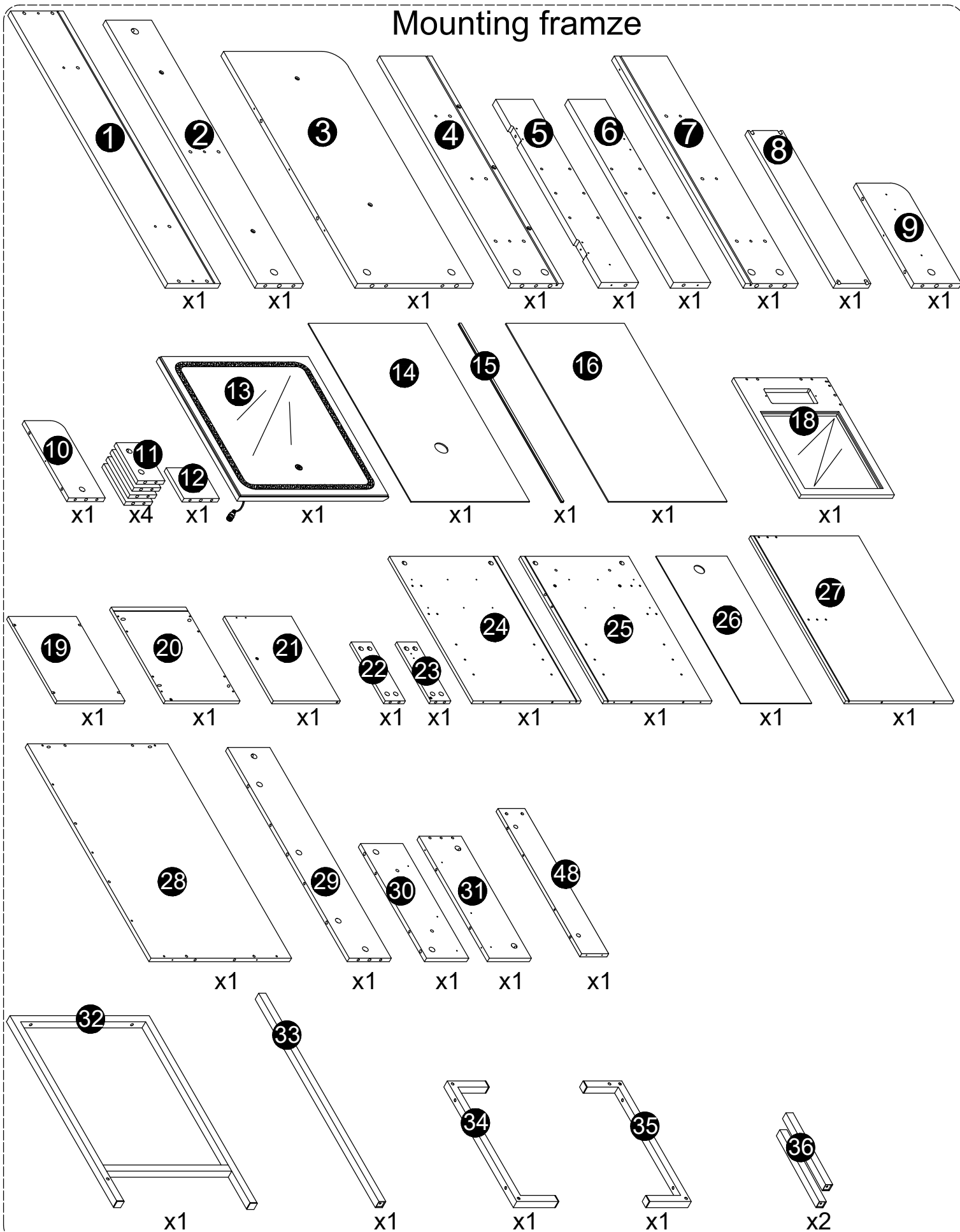
DR

x3

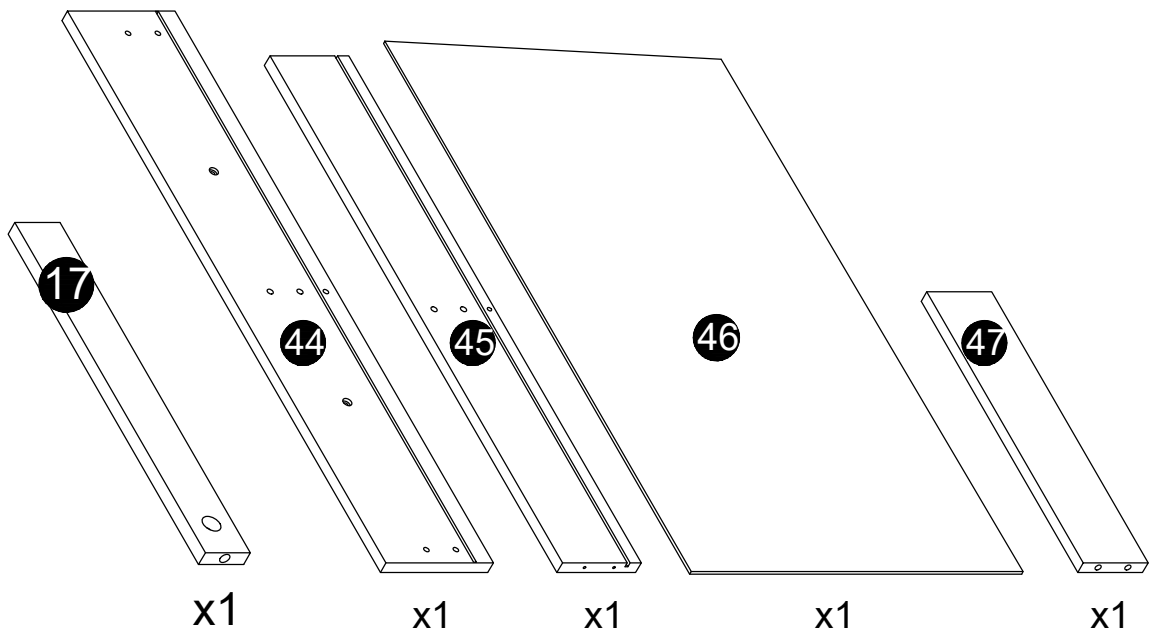
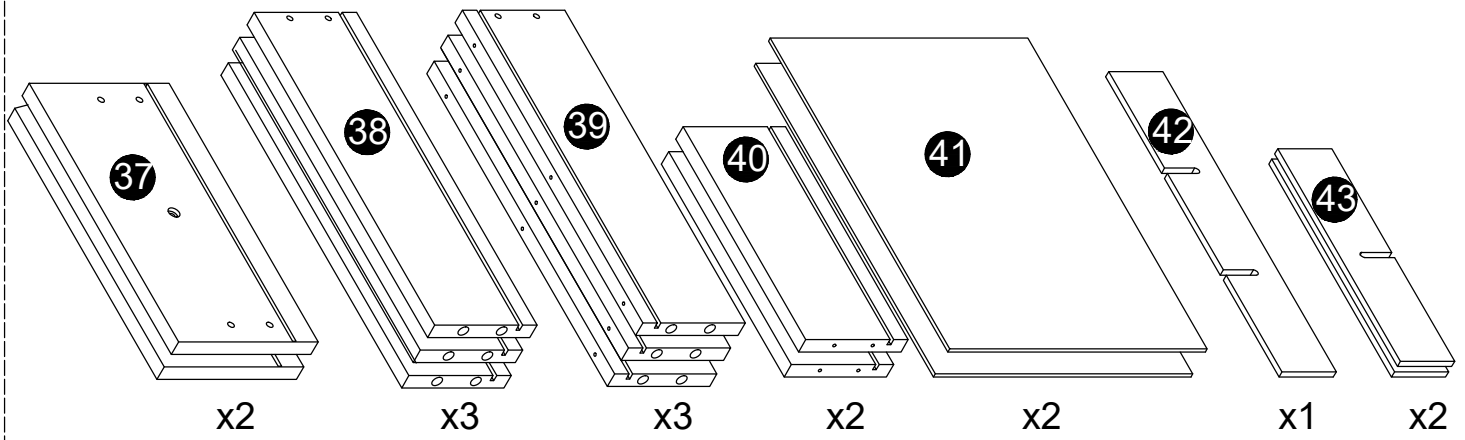
L300mm

Please place all the boards in the order shown in the picture below, the installation will be easy and smooth.

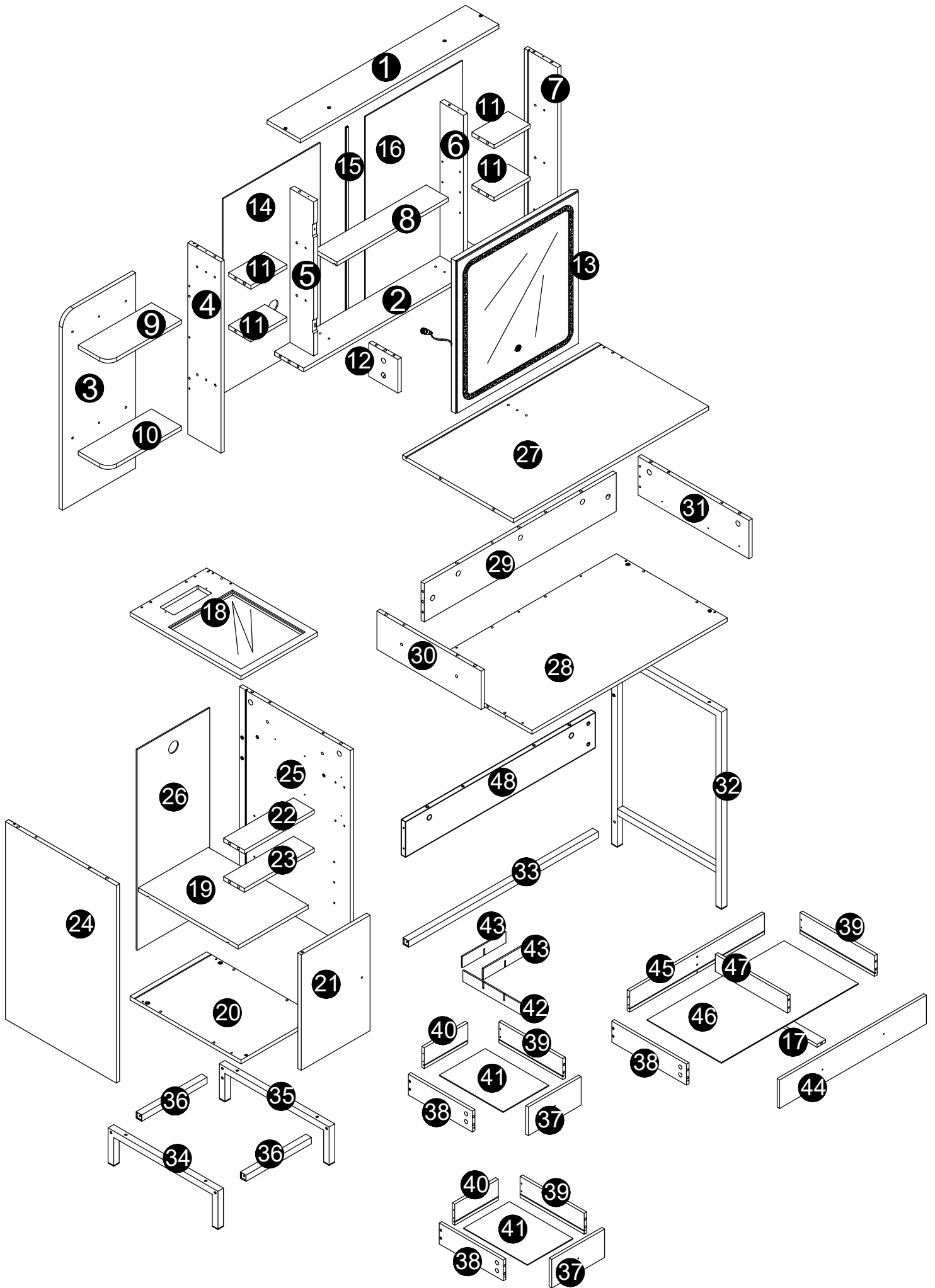
Mounting framze



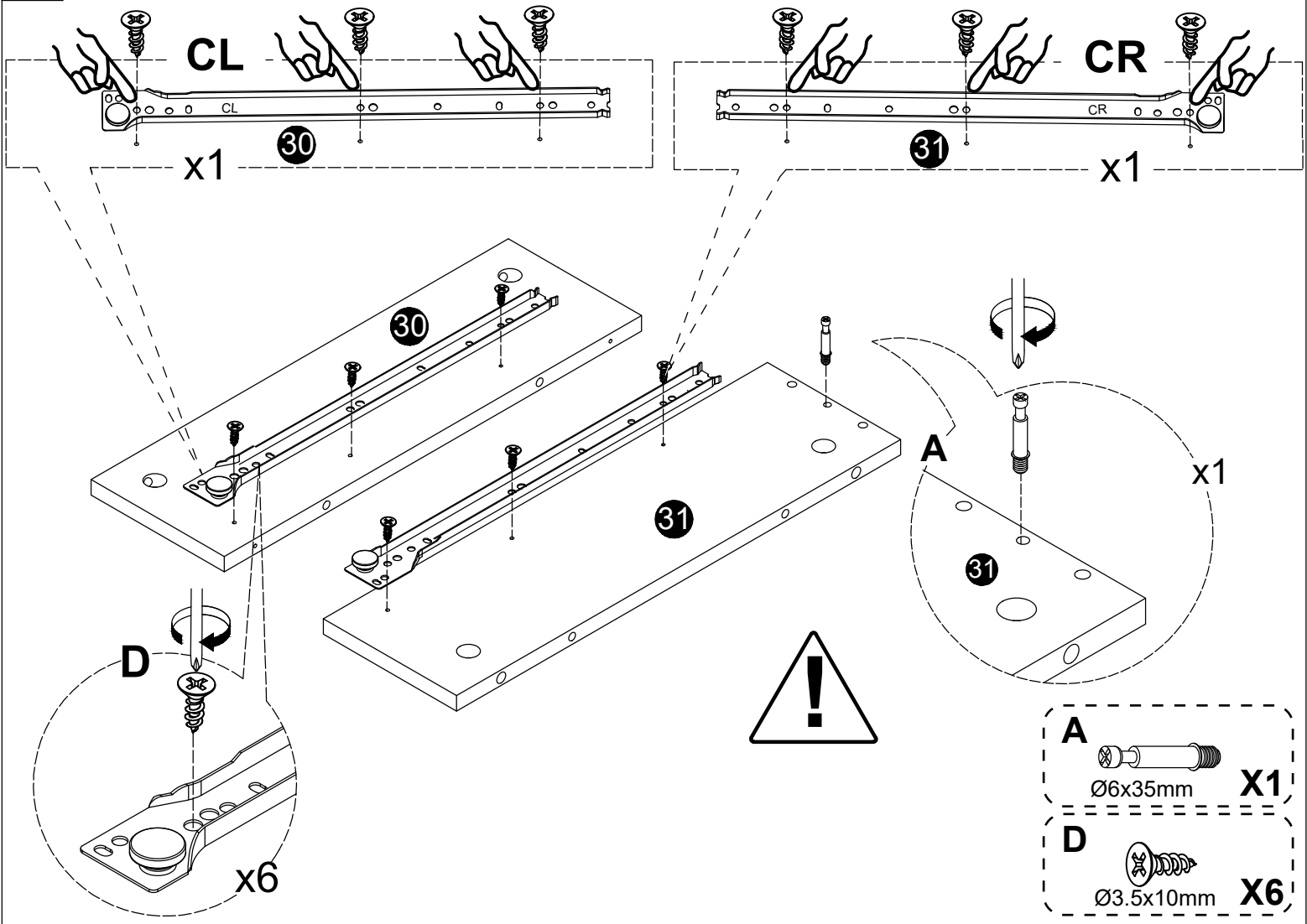
Drawer board



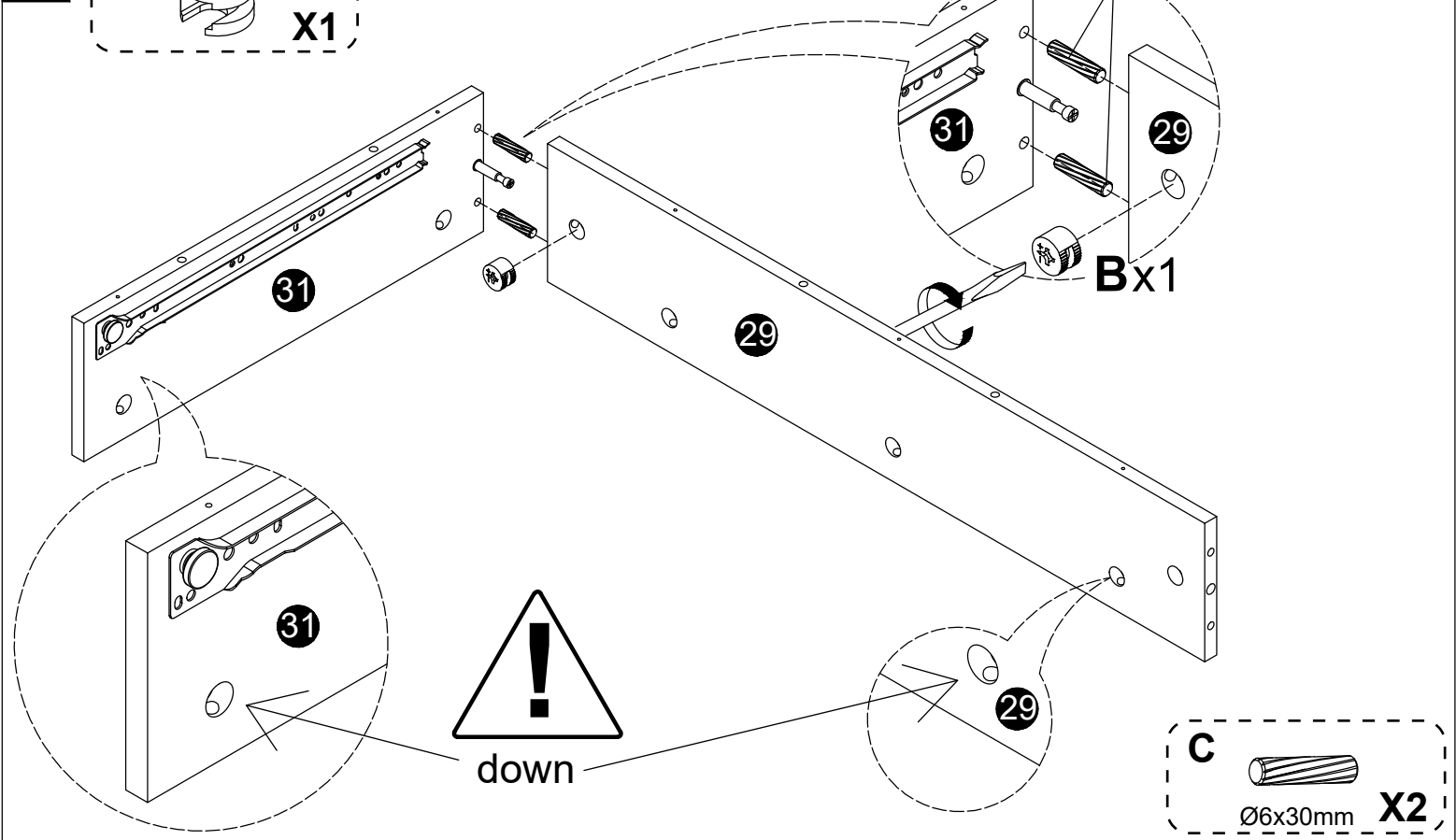
Please use each screw in strict accordance with the instructions



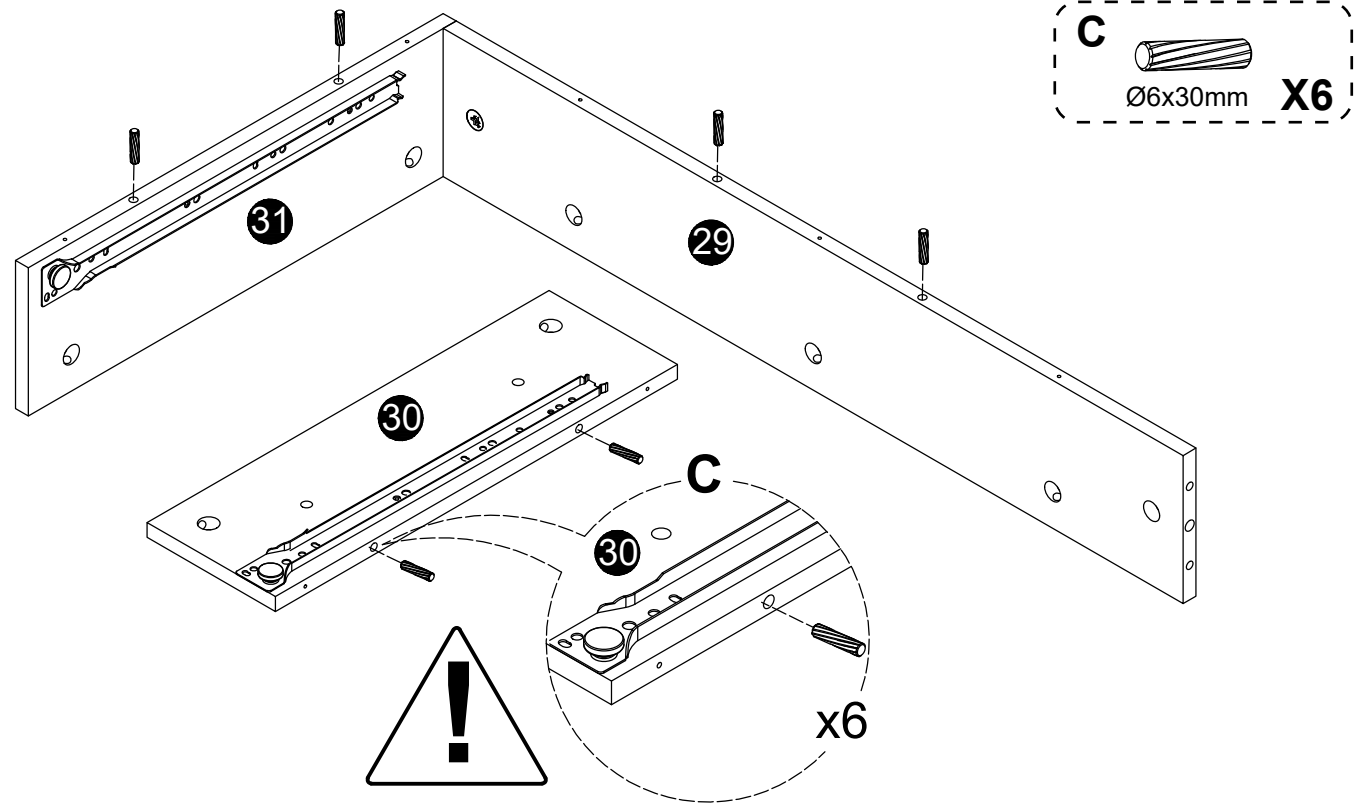
1



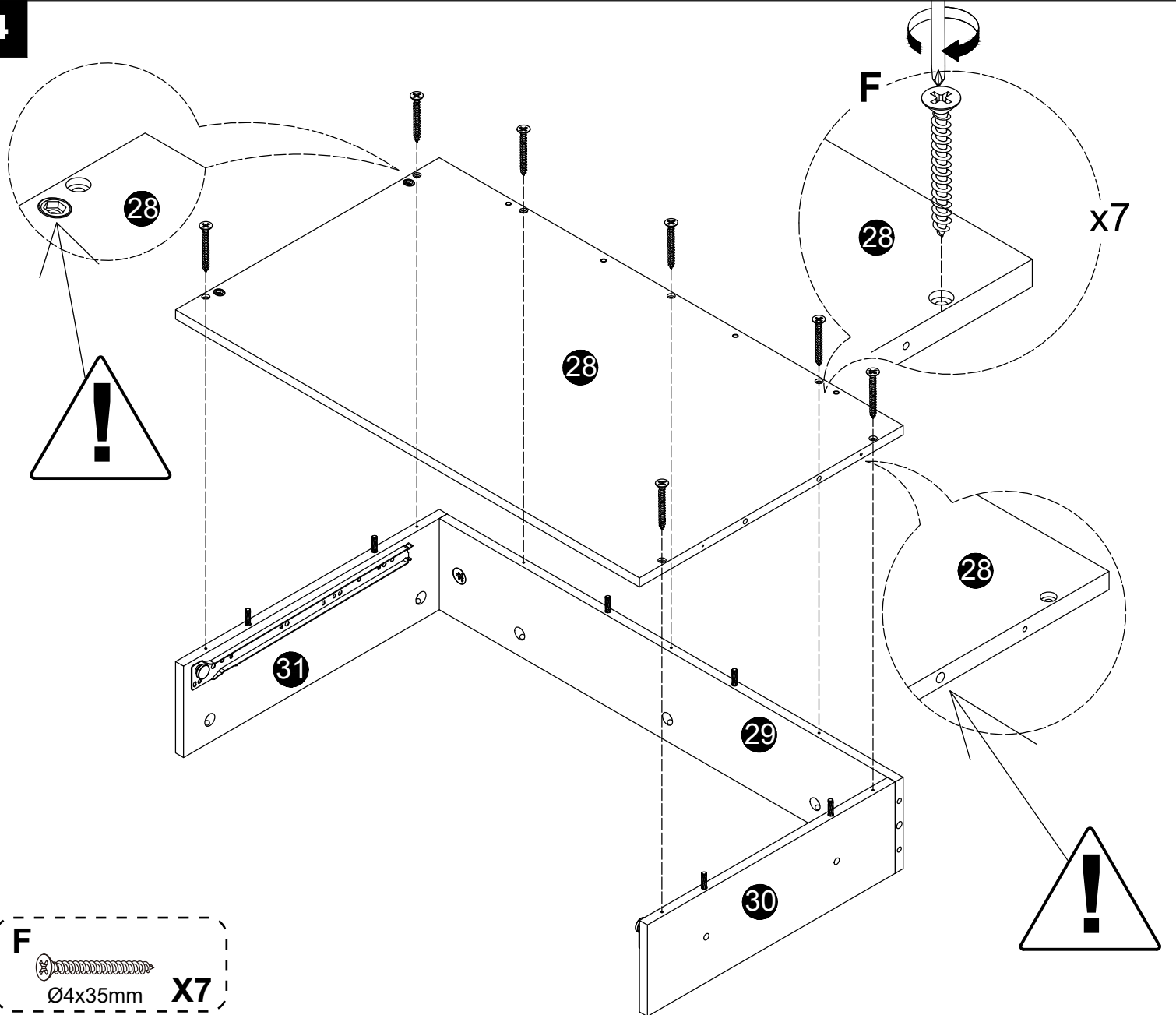
2



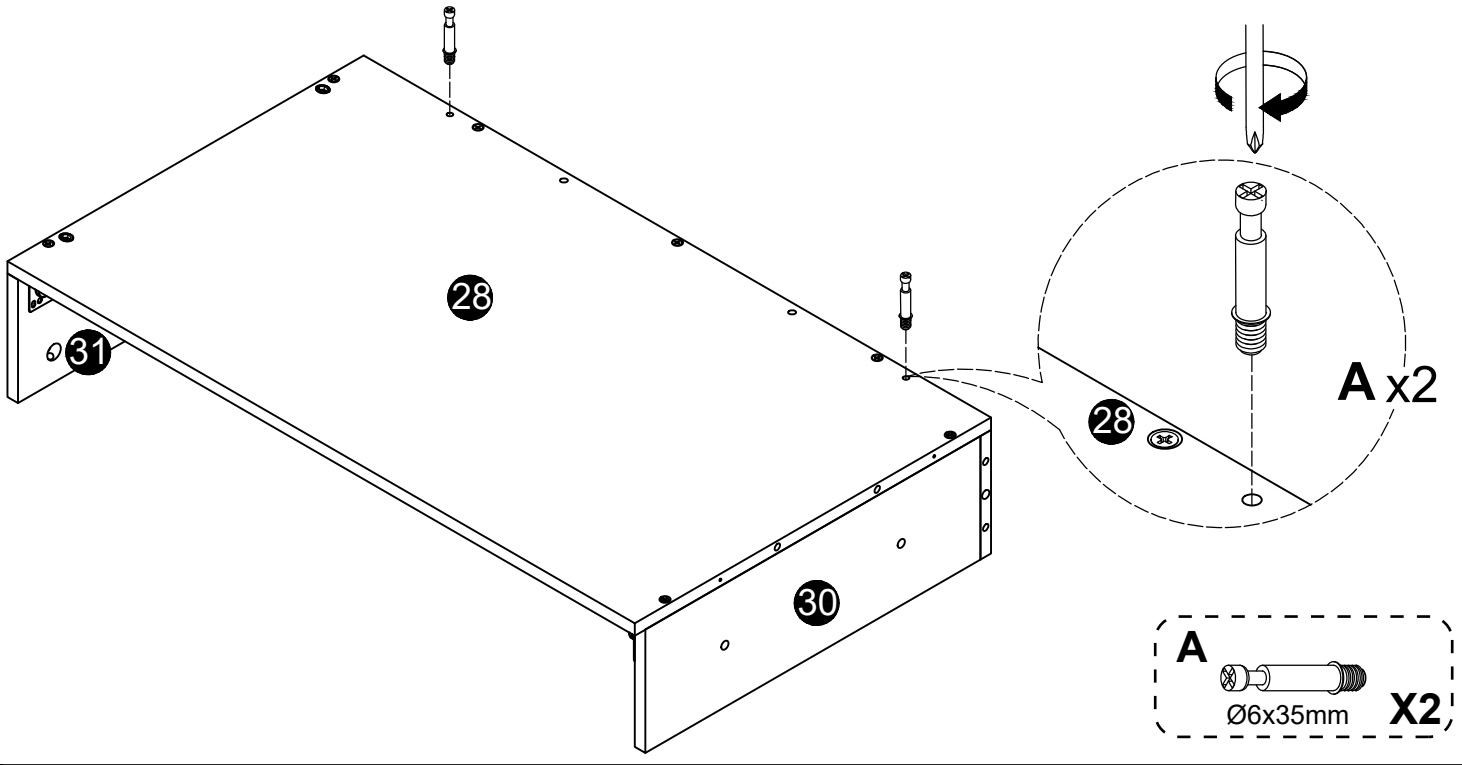
3



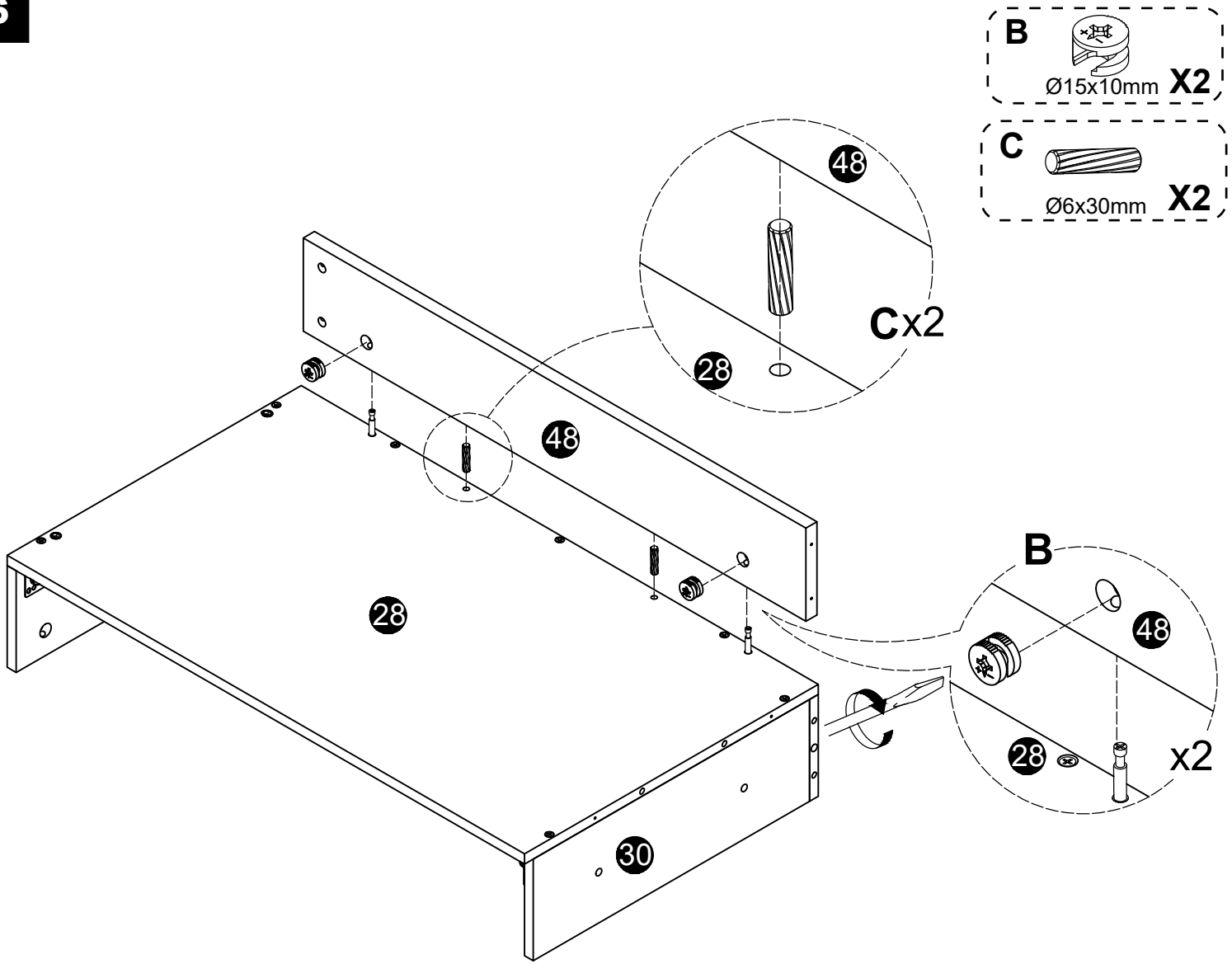
4

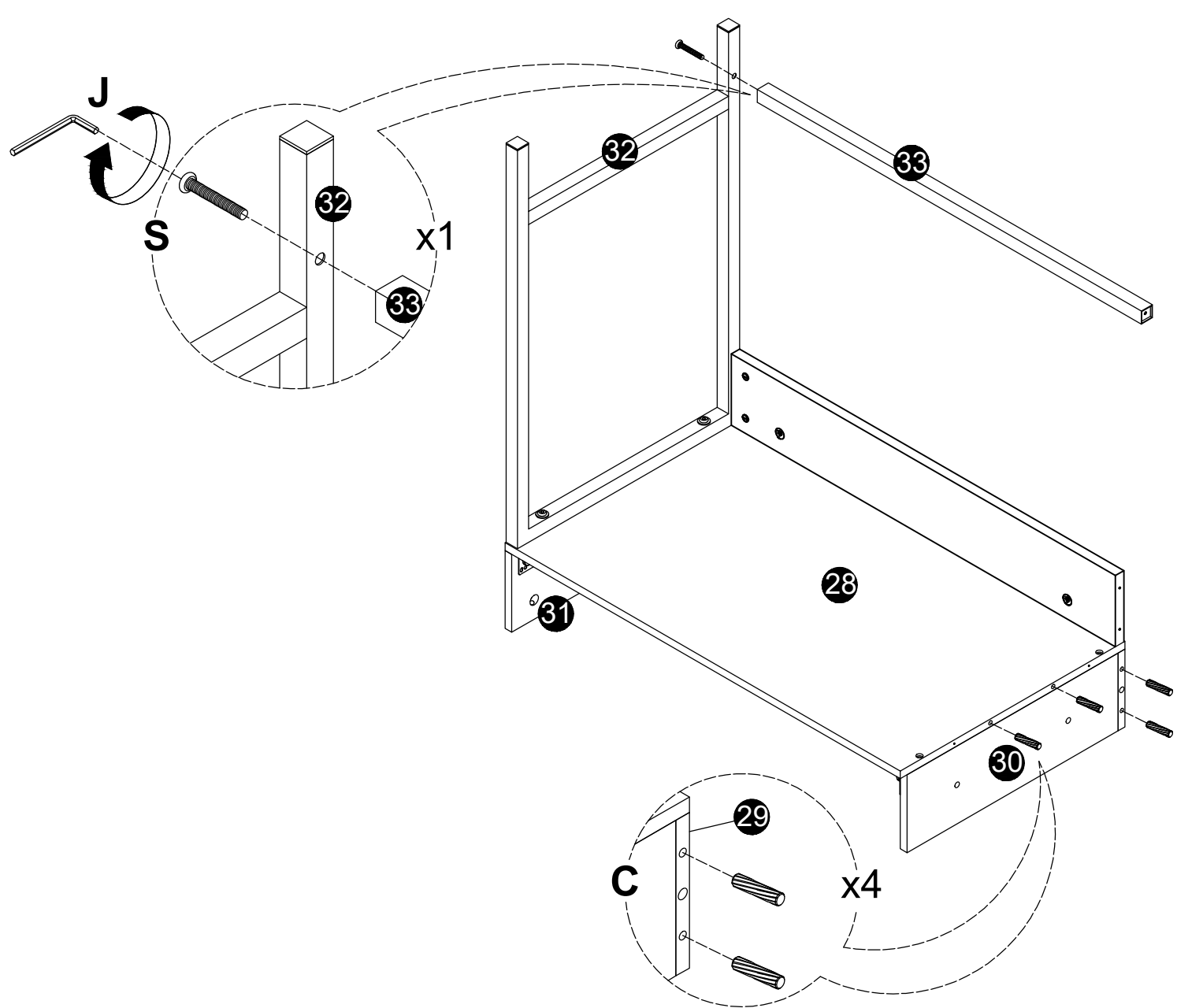



5




6

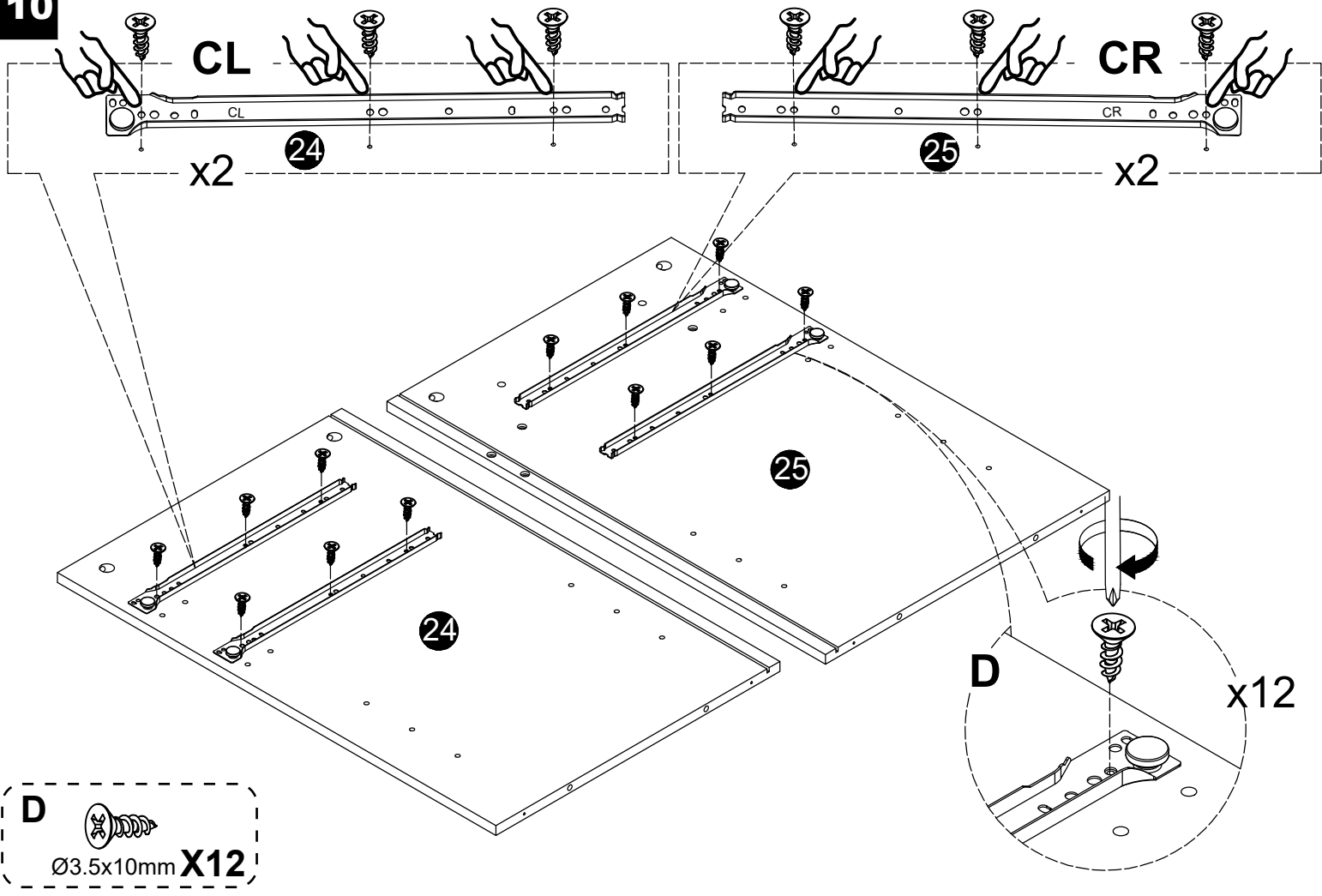




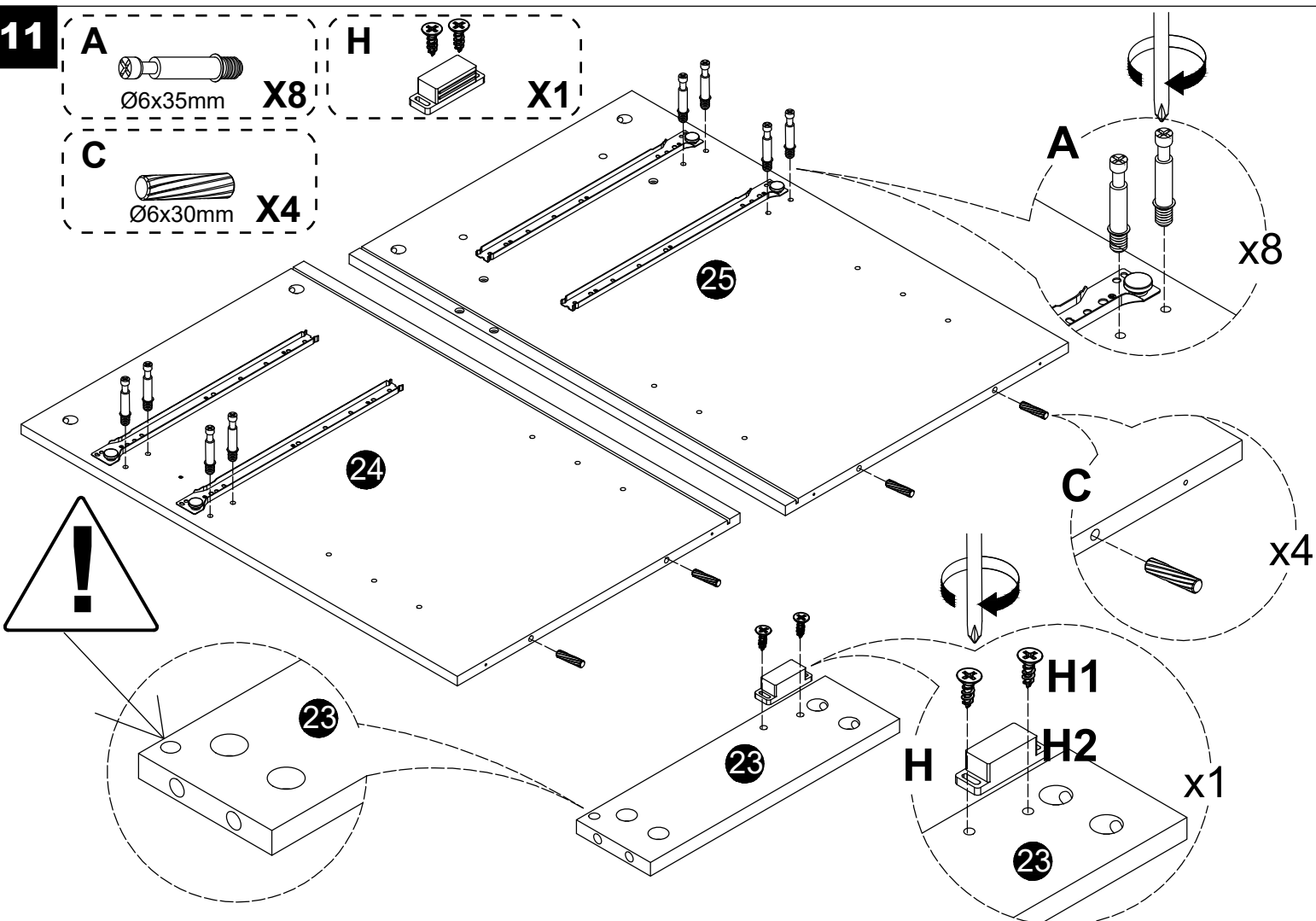
C  $\text{\O}6 \times 30\text{mm}$ **X4**

S  $\text{\O}6 \times 40\text{mm}$ **X1**

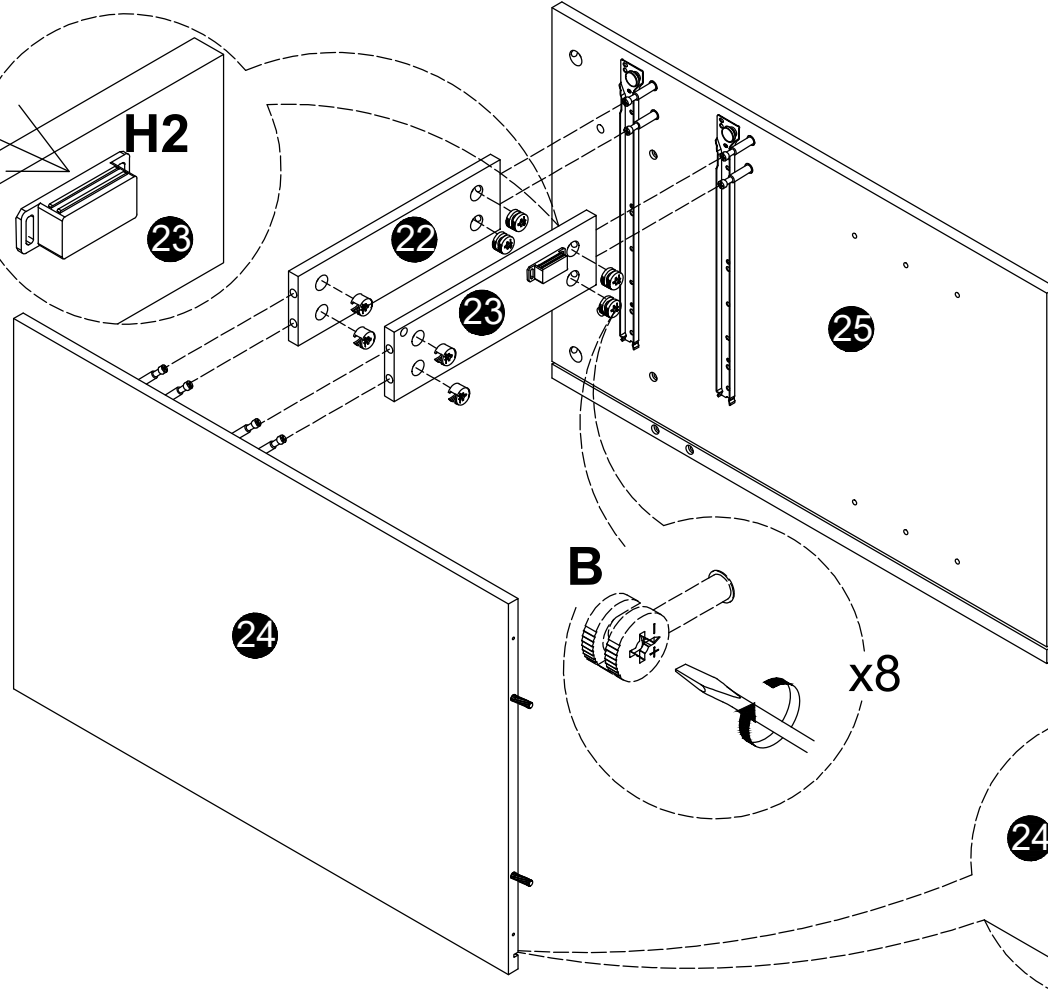
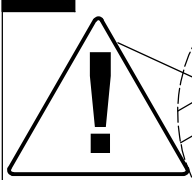
10

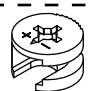


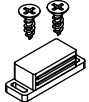
11




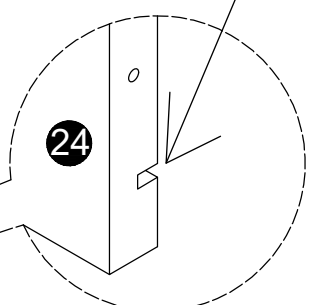
12



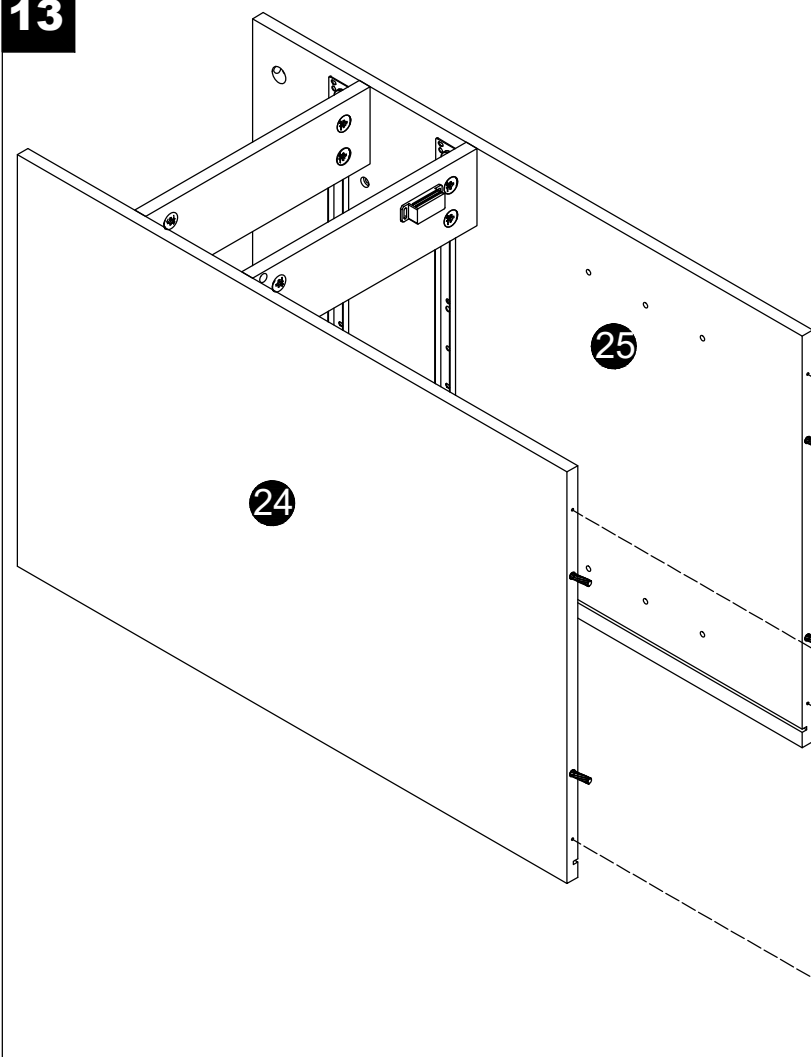
B  $\varnothing 15 \times 10 \text{mm}$ **X8**


H  **X1**


B  **x8**



13



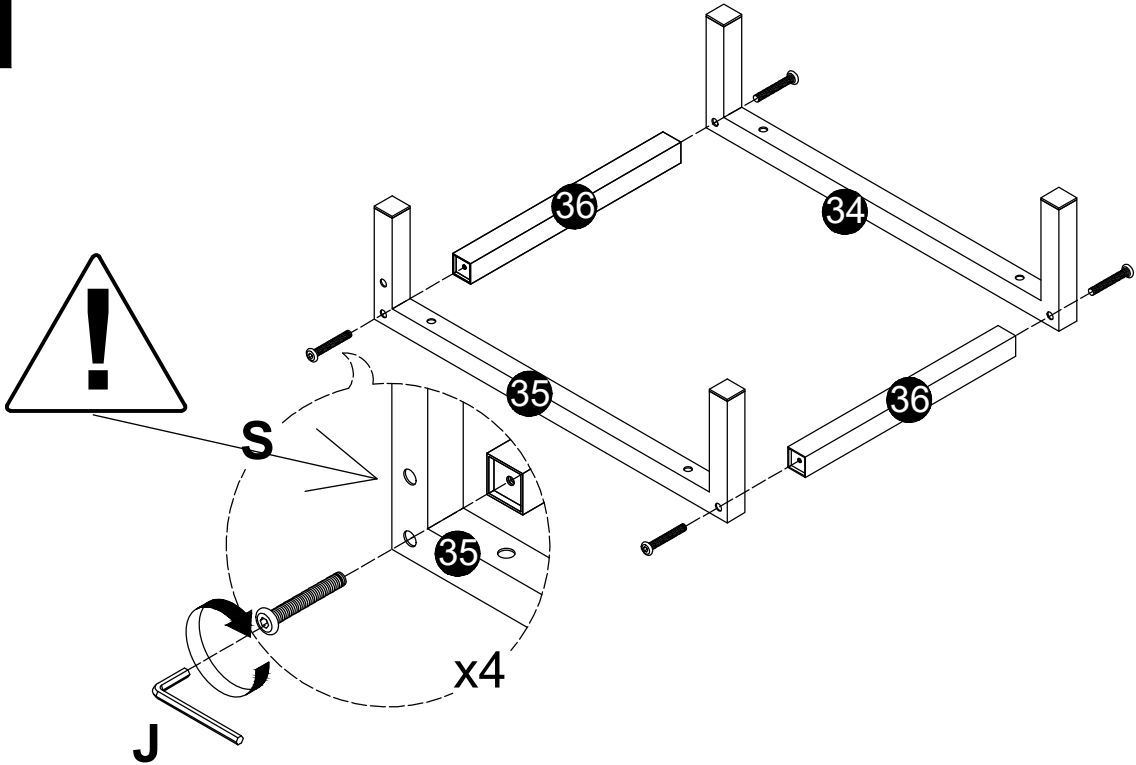
F  $\varnothing 4 \times 35 \text{mm}$ **X4**

F **20**  **x4**

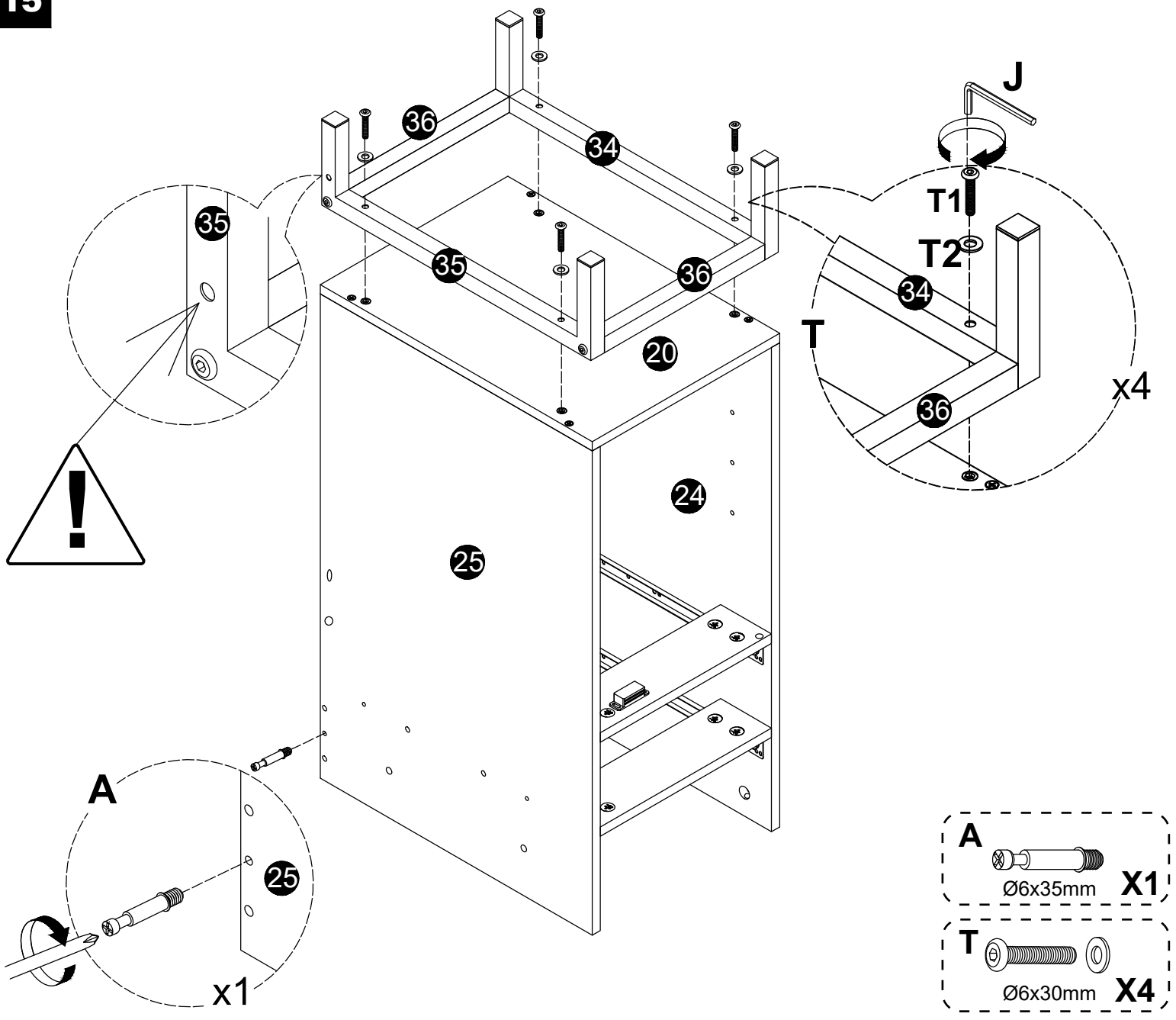
90°

14

S
Ø6x40mm **X4**





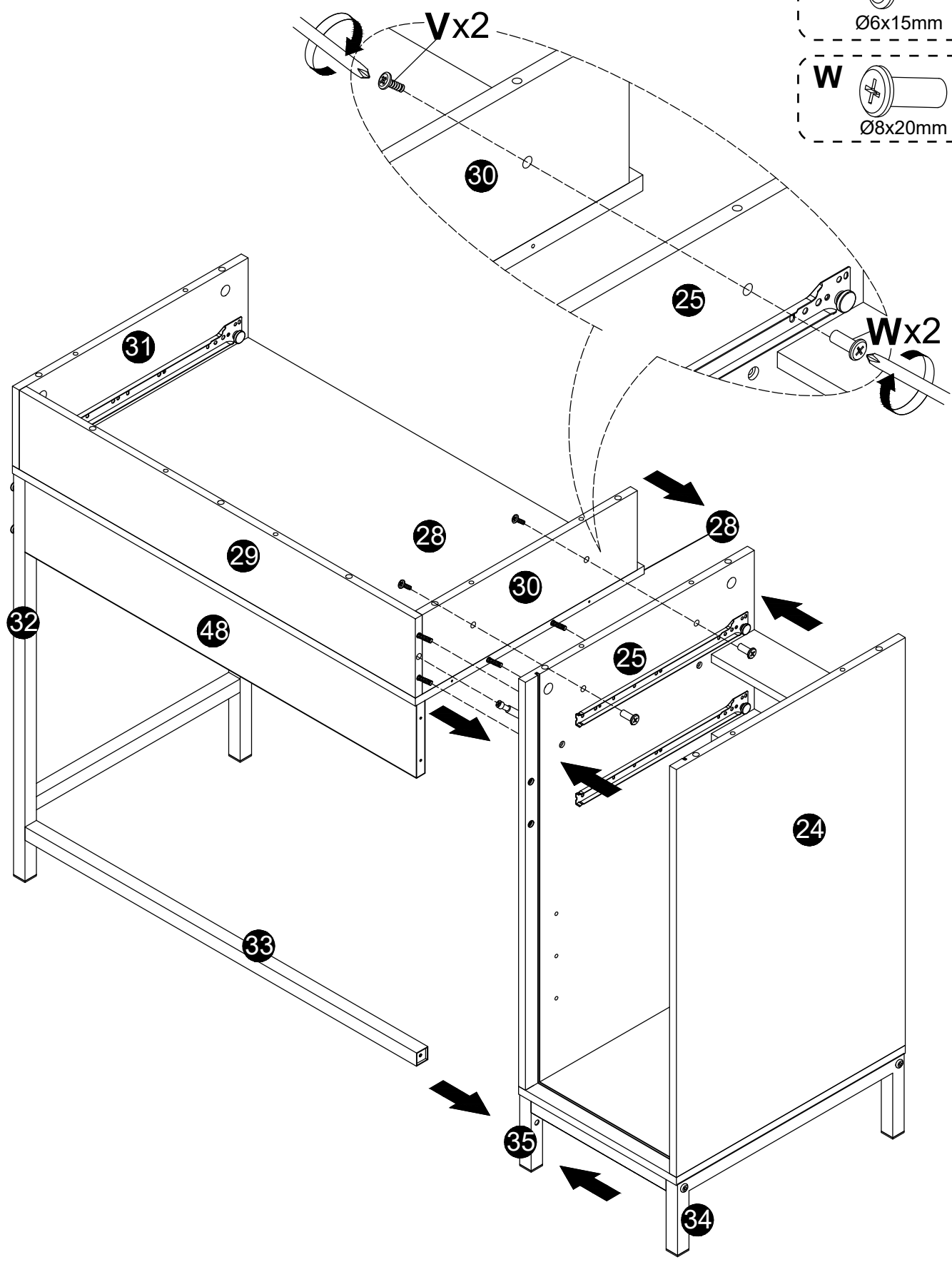
15





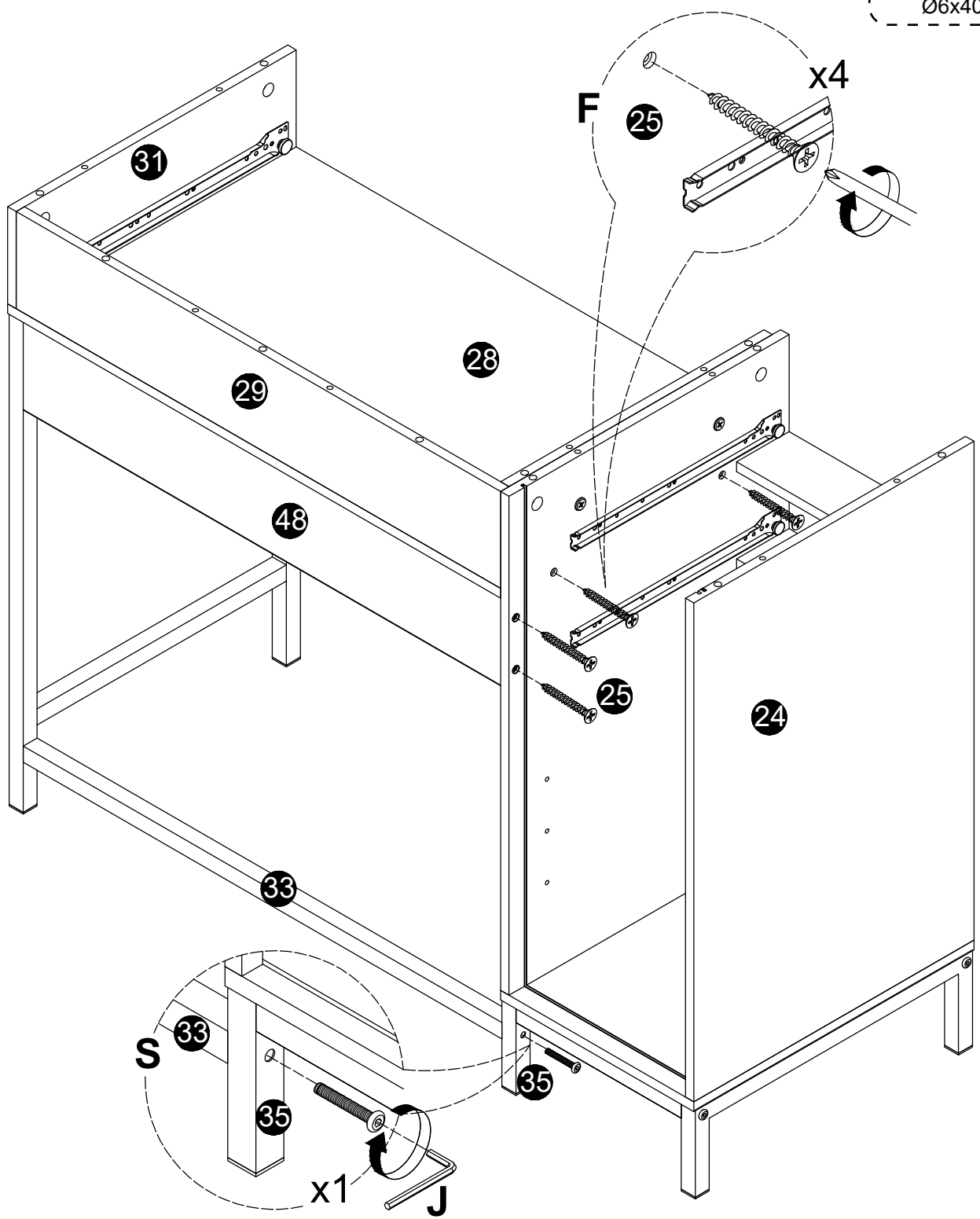
A
Ø6x35mm **X1**

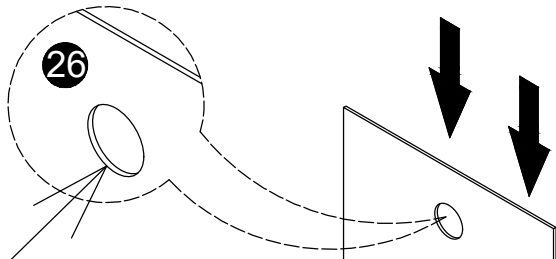
T
Ø6x30mm **X4**

- V**  Ø6x15mm **X2**
- W**  Ø8x20mm **X2**

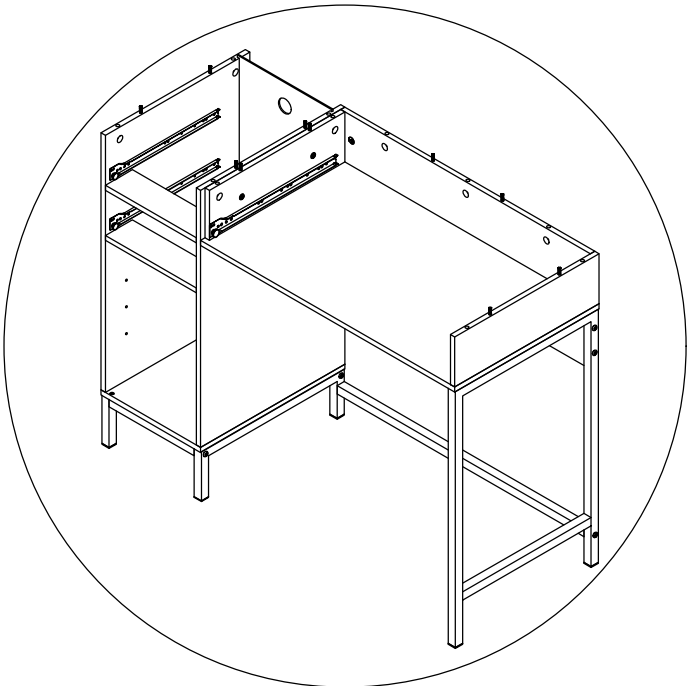
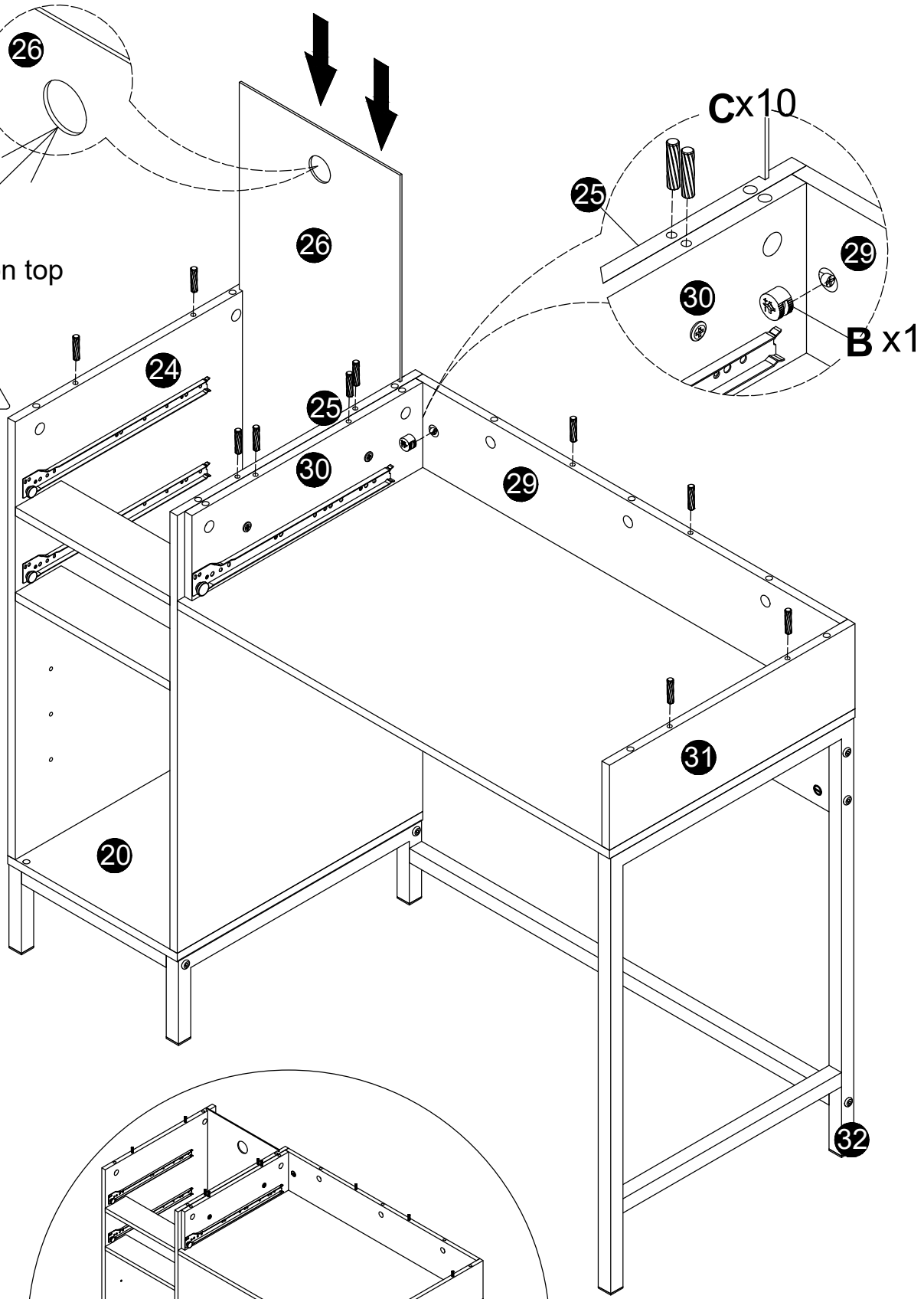




- F**  Ø4x35mm **X4**
- S**  Ø6x40mm **X1**



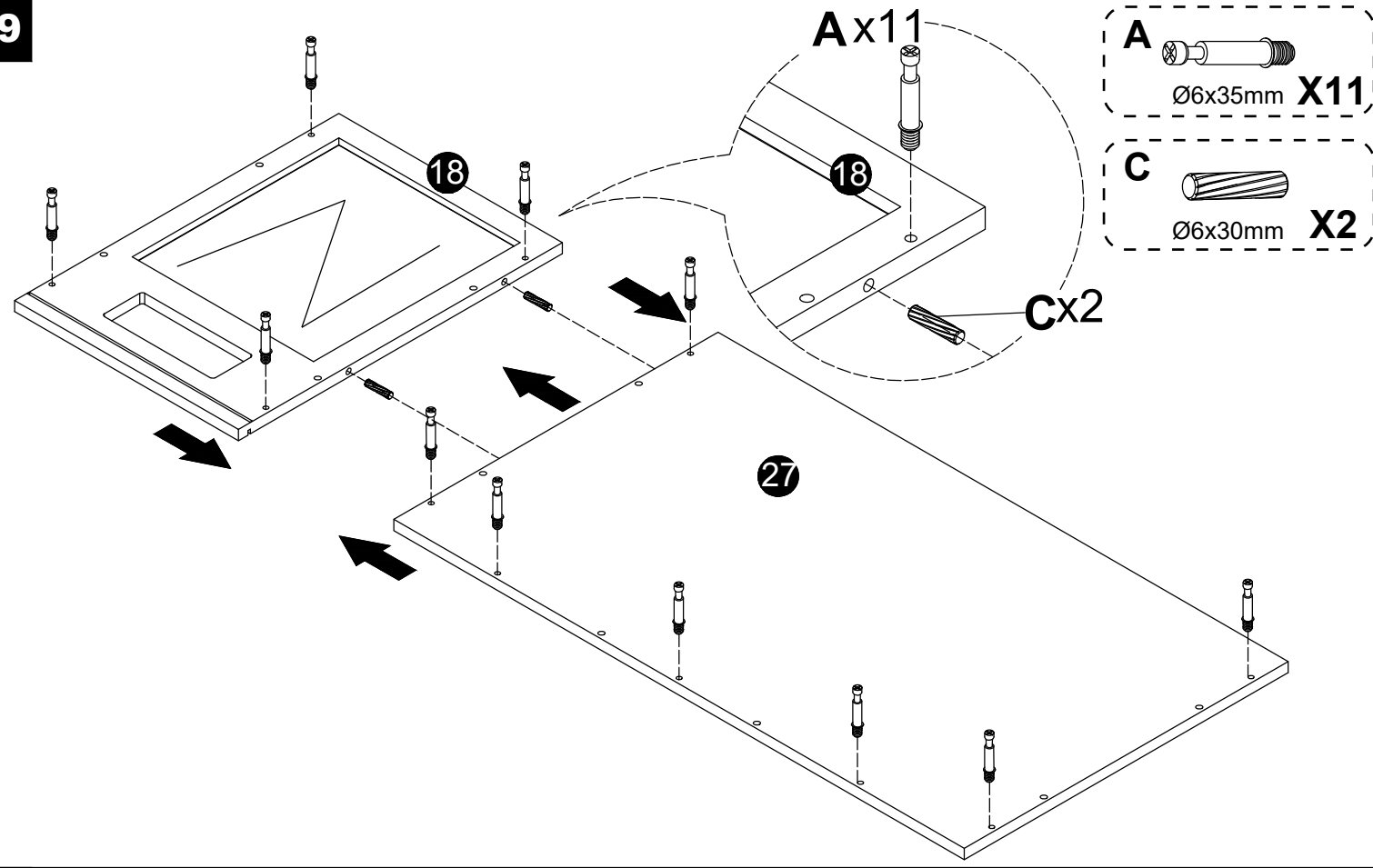


Hole on top

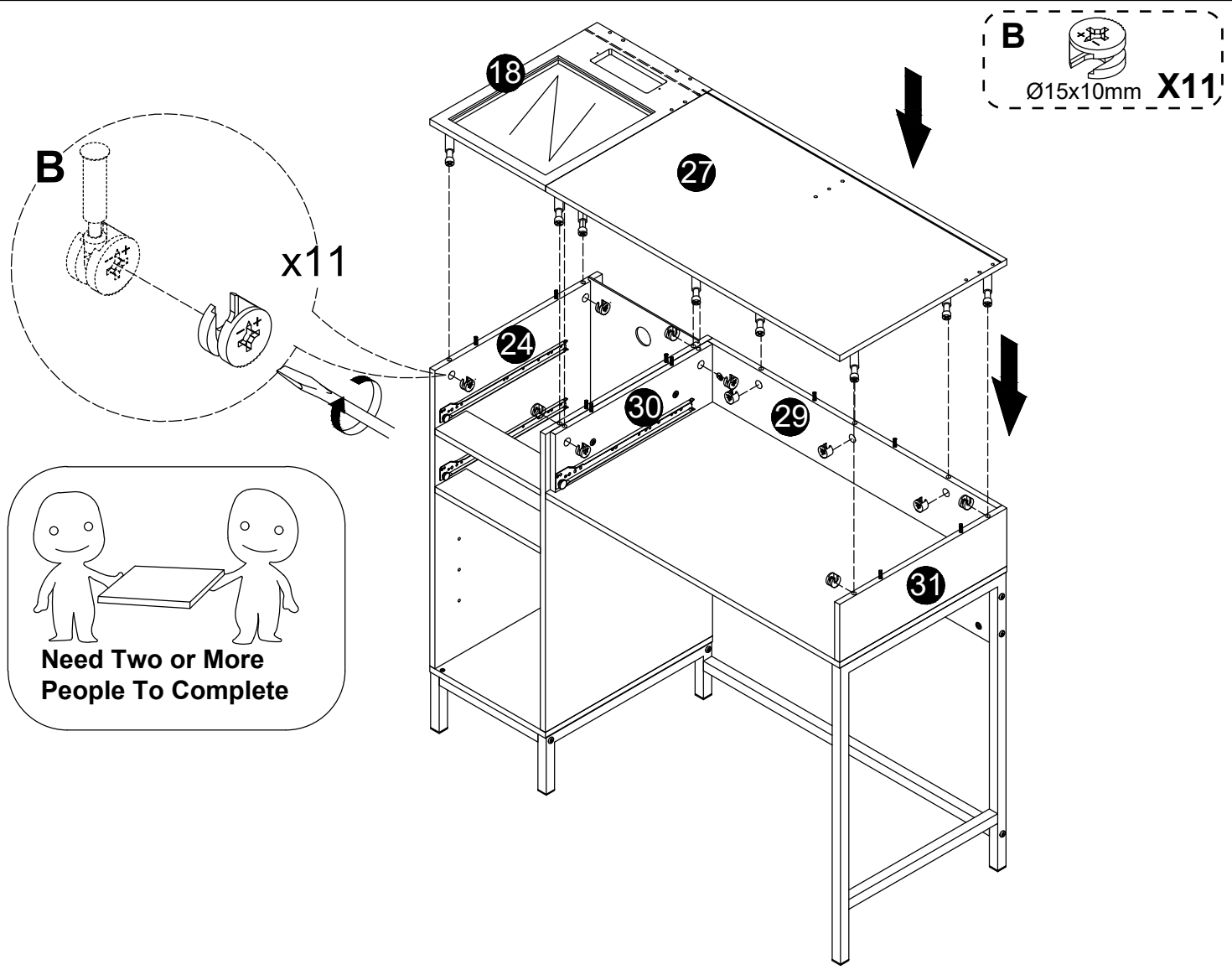


- B**  $\text{\O}15 \times 10 \text{mm}$ X1
- C**  $\text{\O}6 \times 30 \text{mm}$ X10

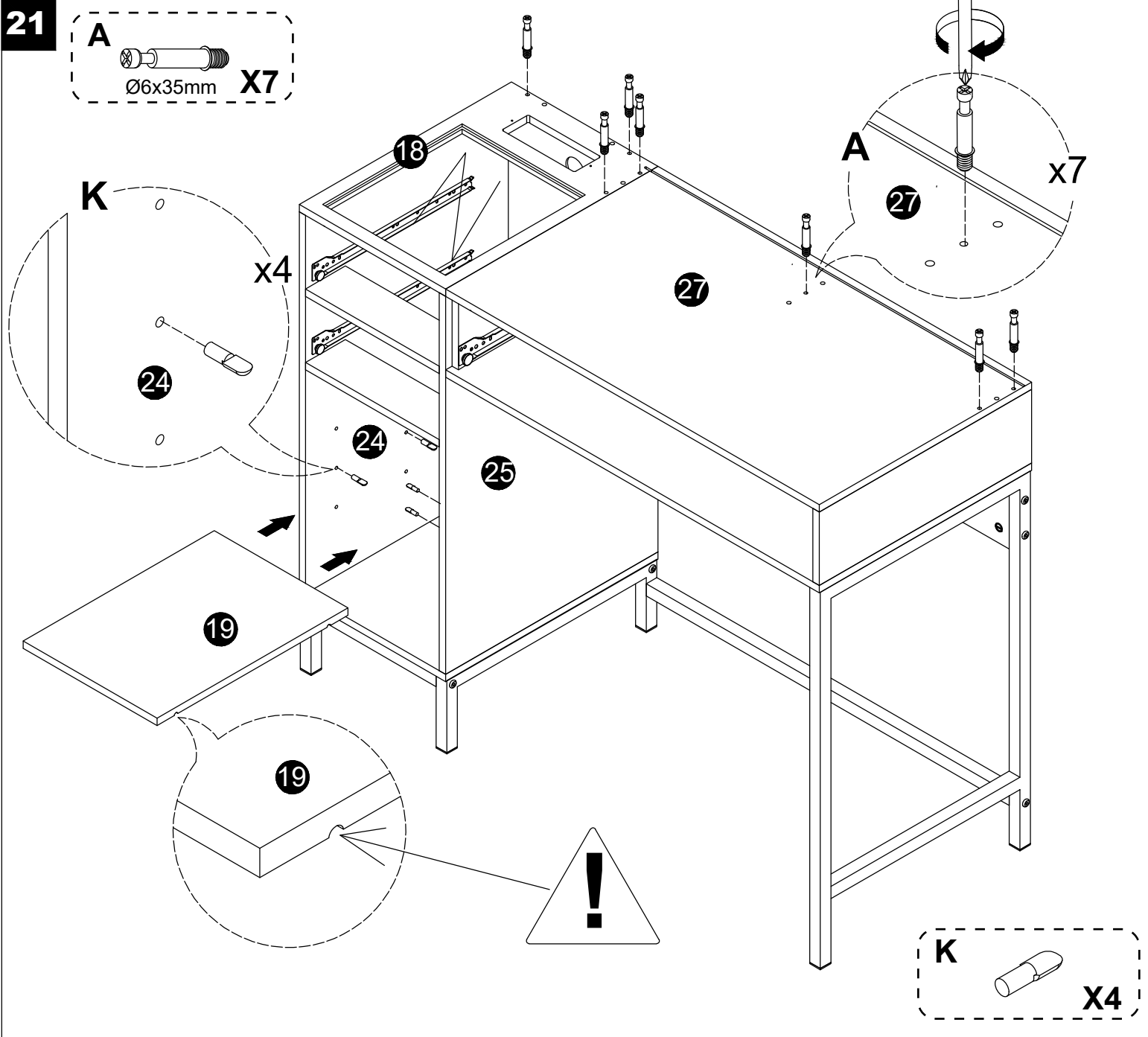
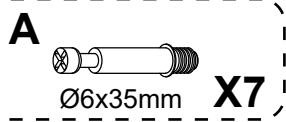
19



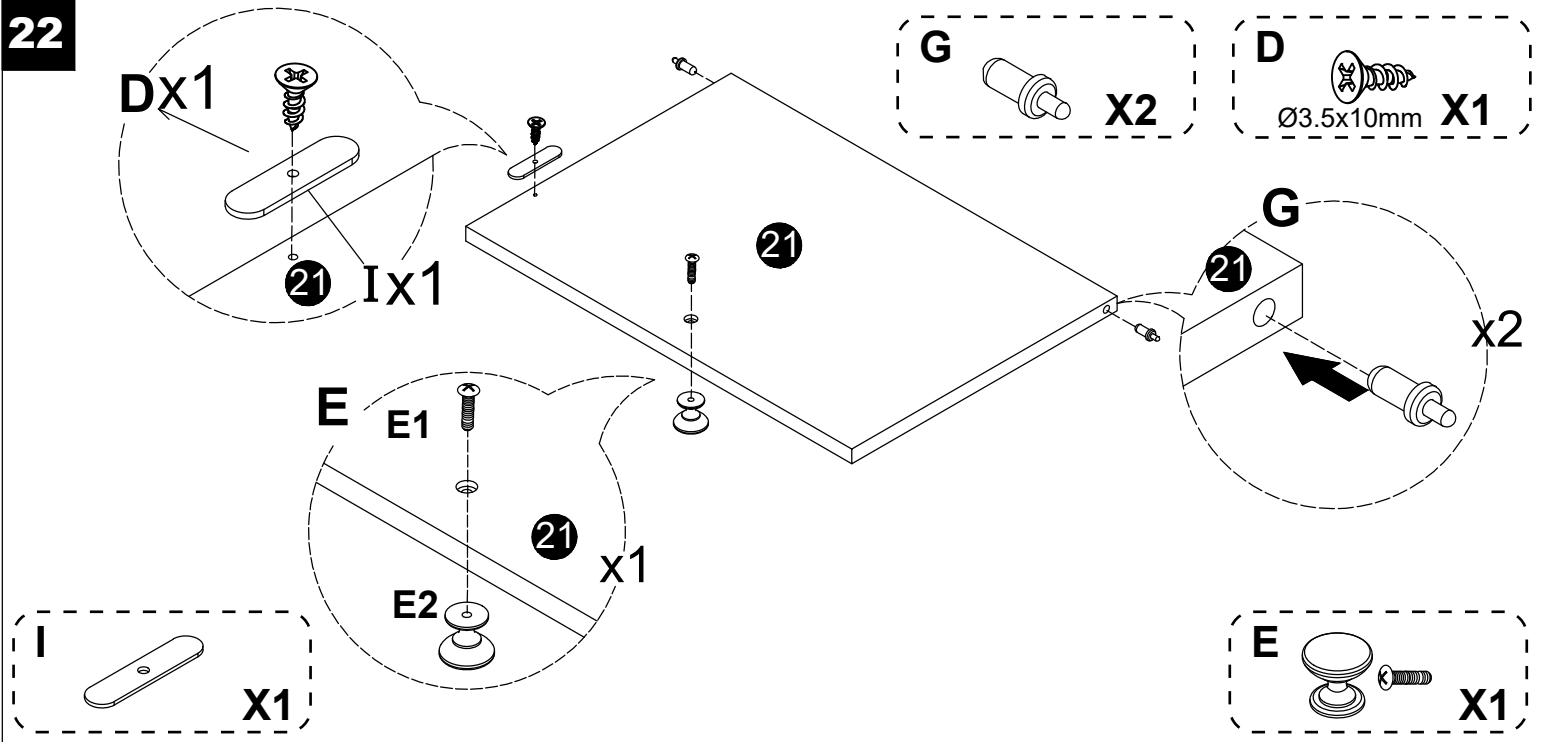
20

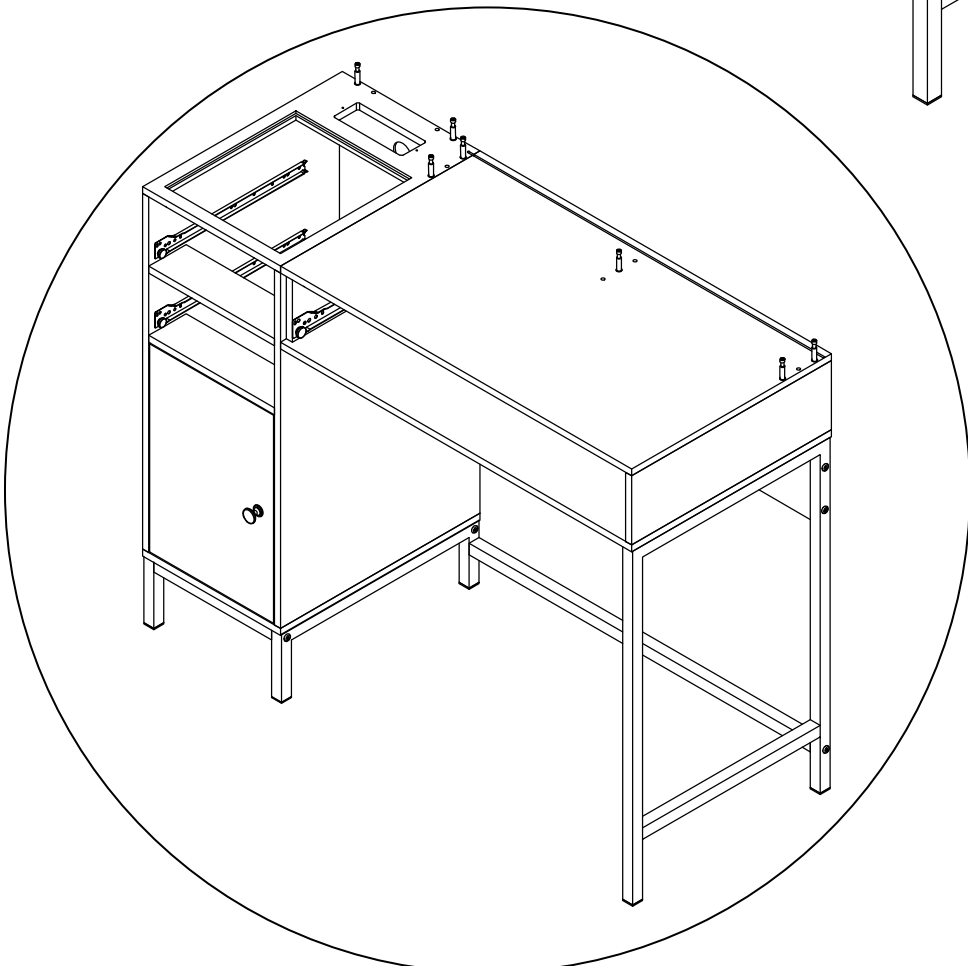
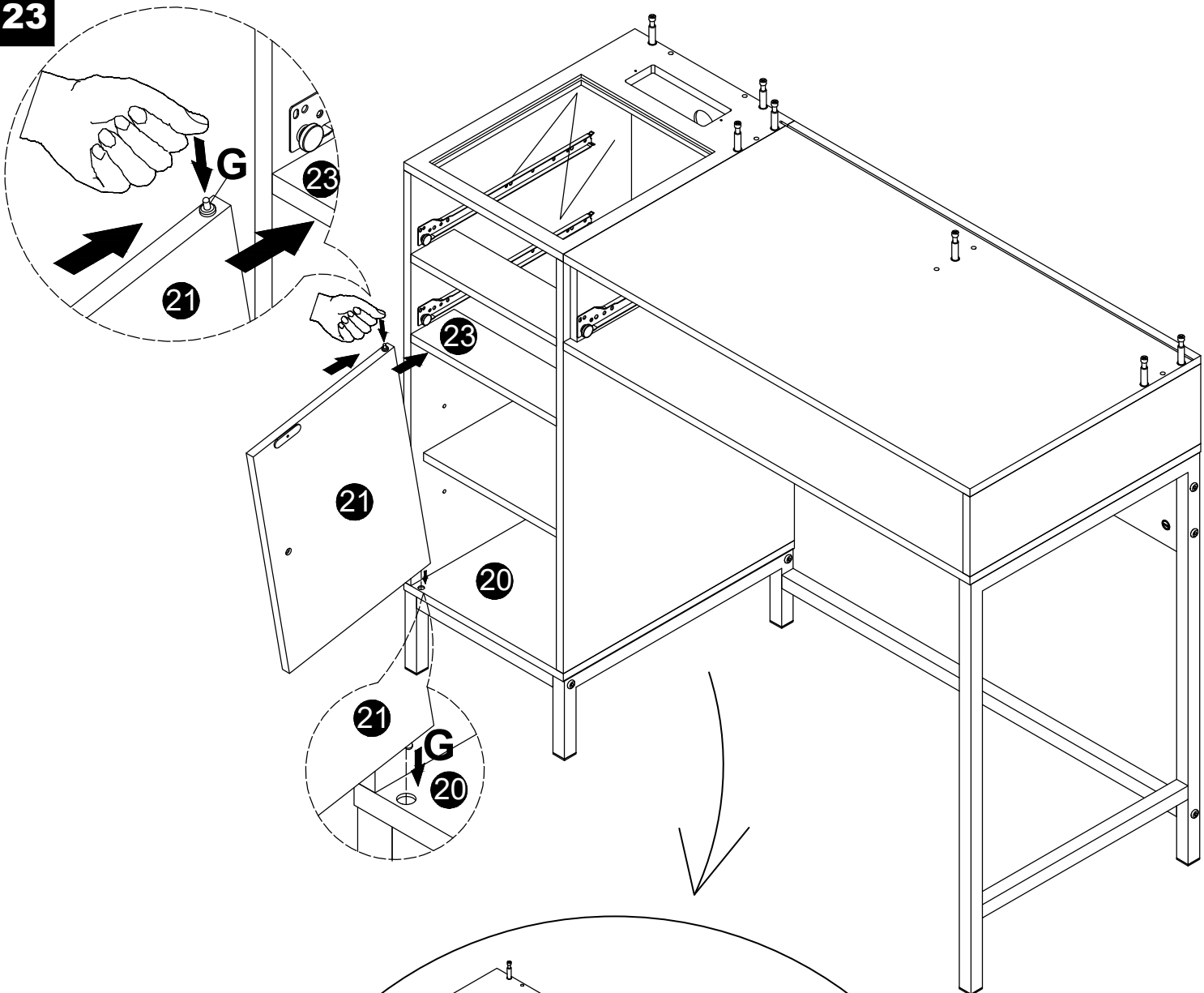


21

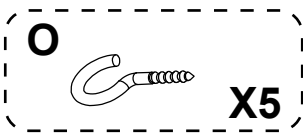
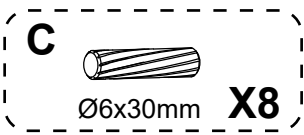
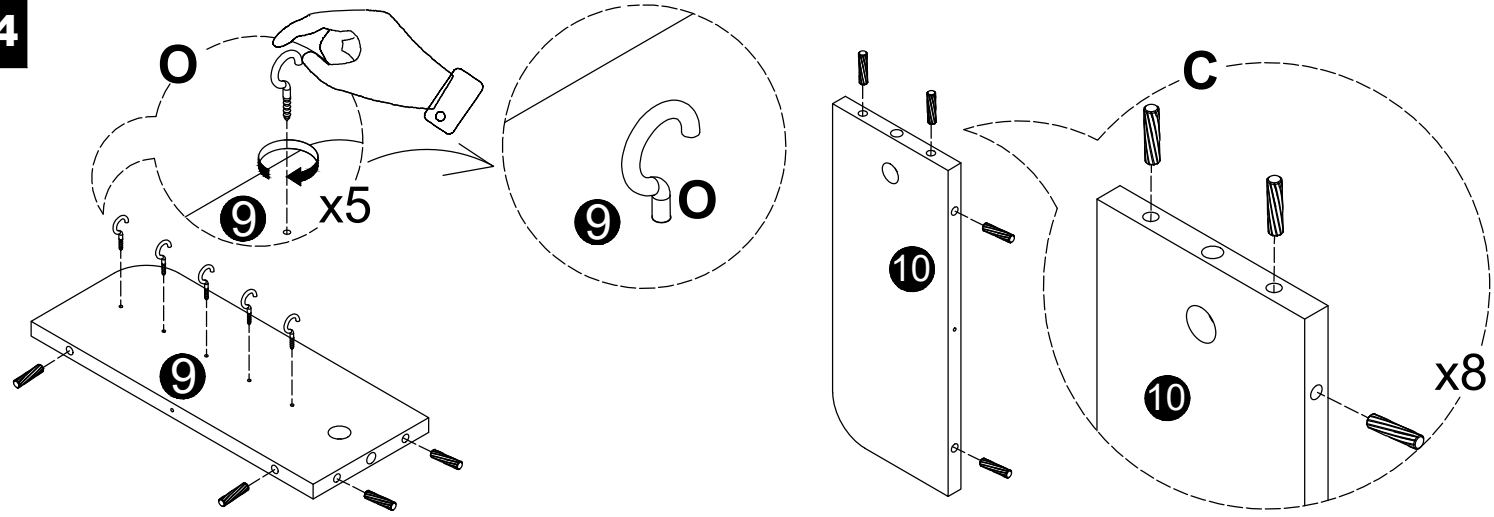


22

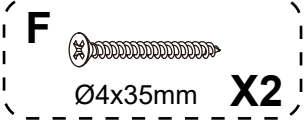
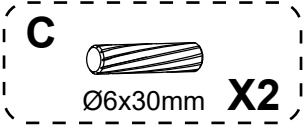
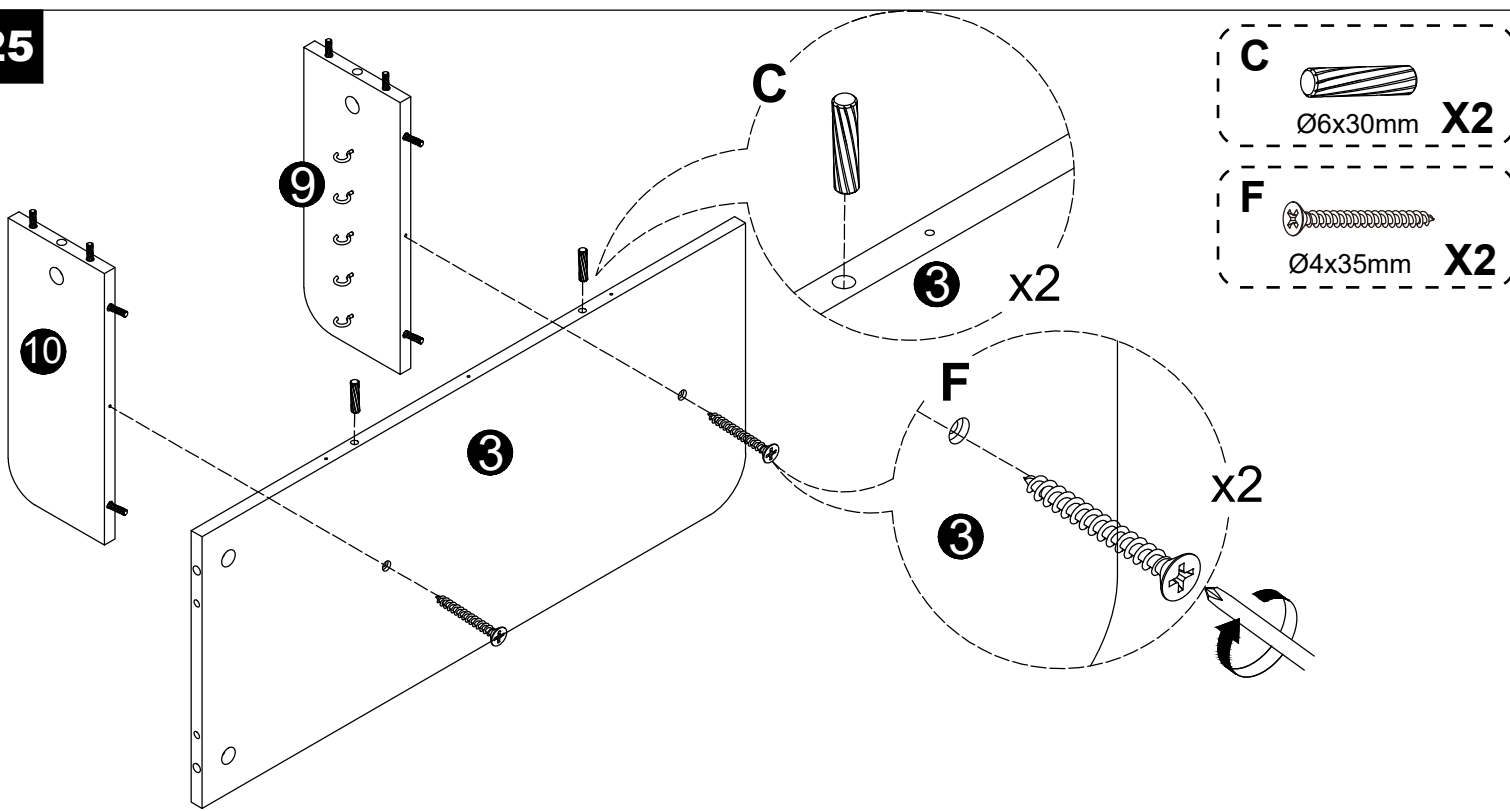




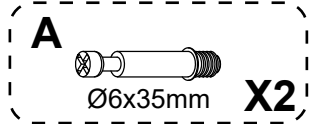
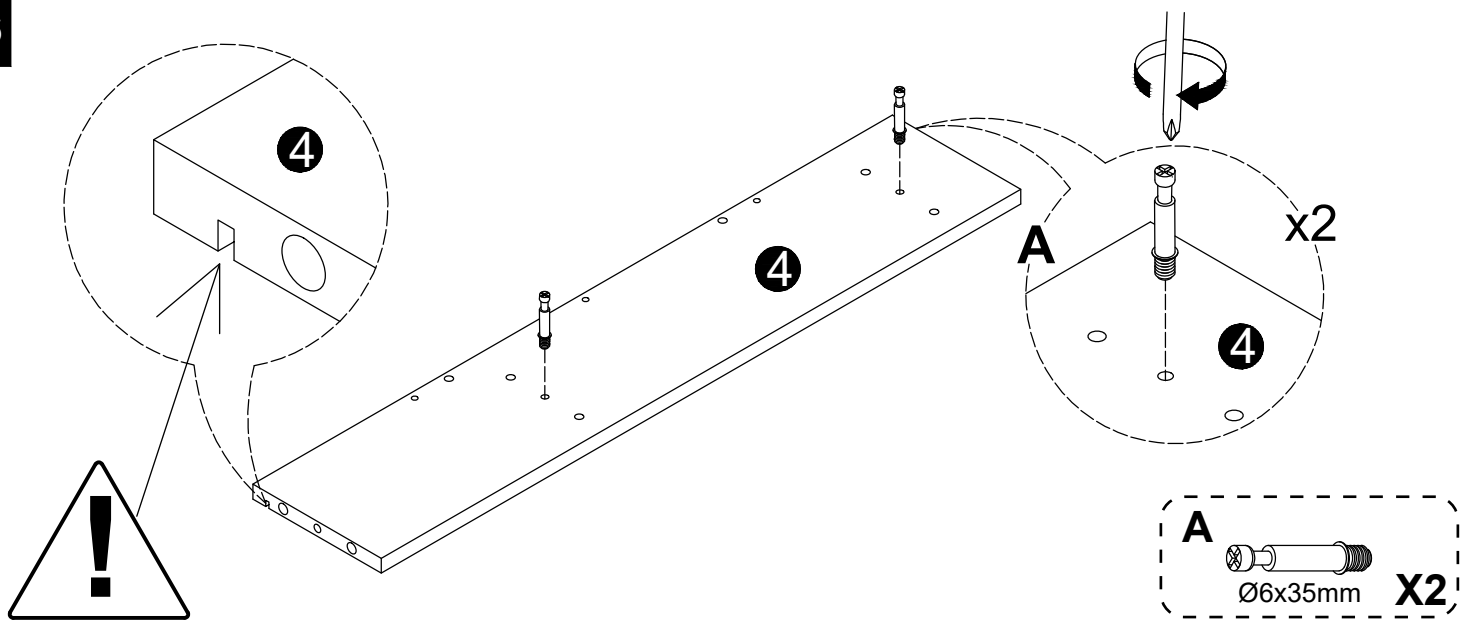
24



25



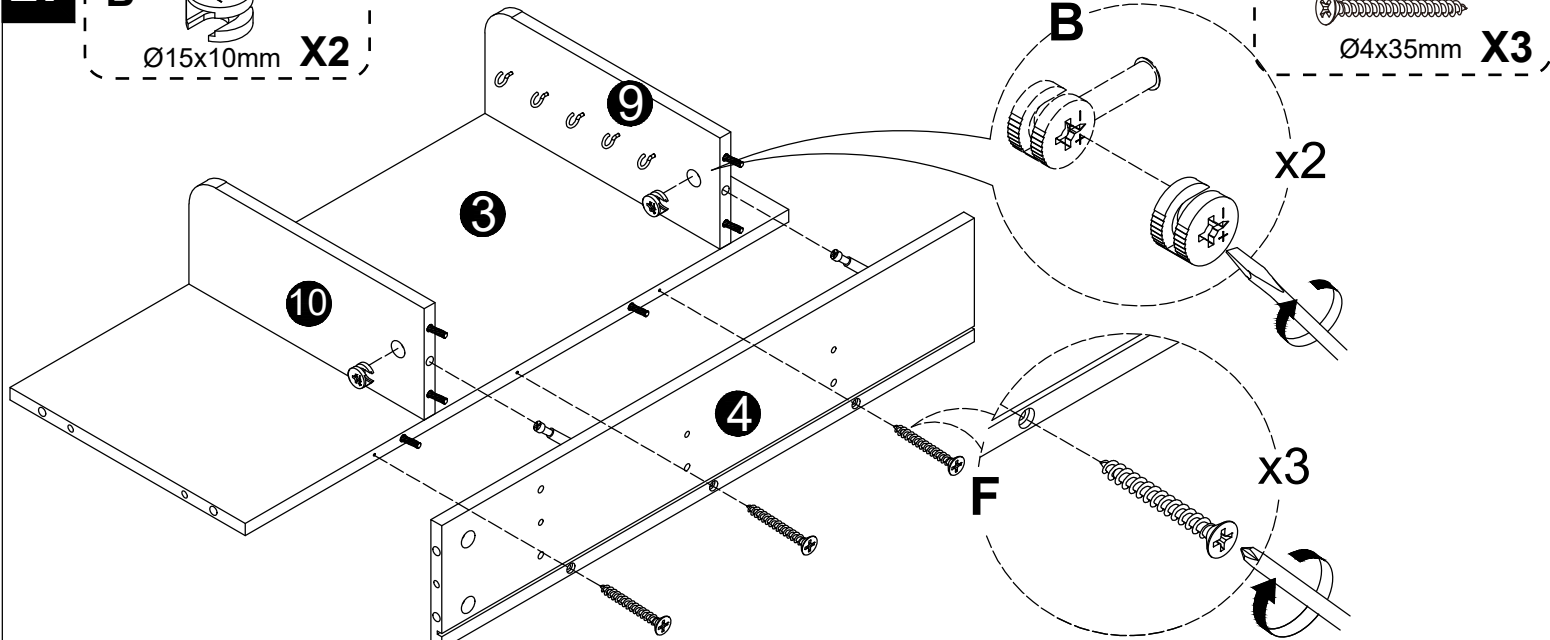
26



27

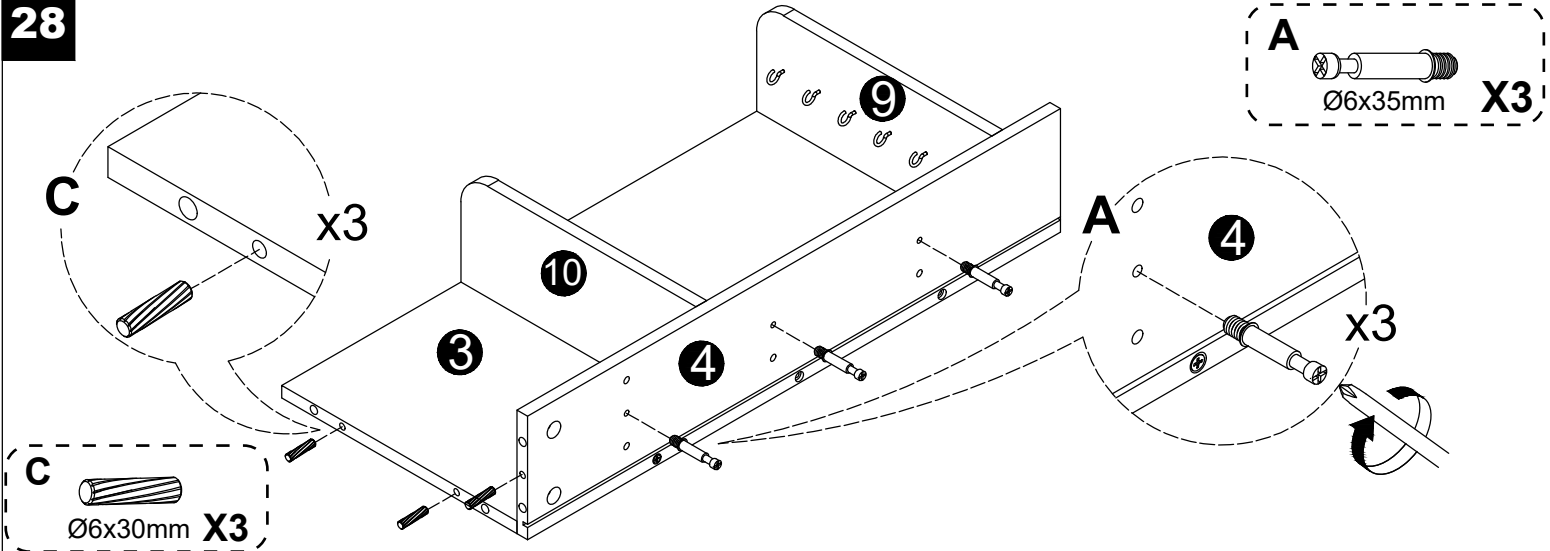
B
Ø15x10mm **X2**

F
Ø4x35mm **X3**



28

A
Ø6x35mm **X3**

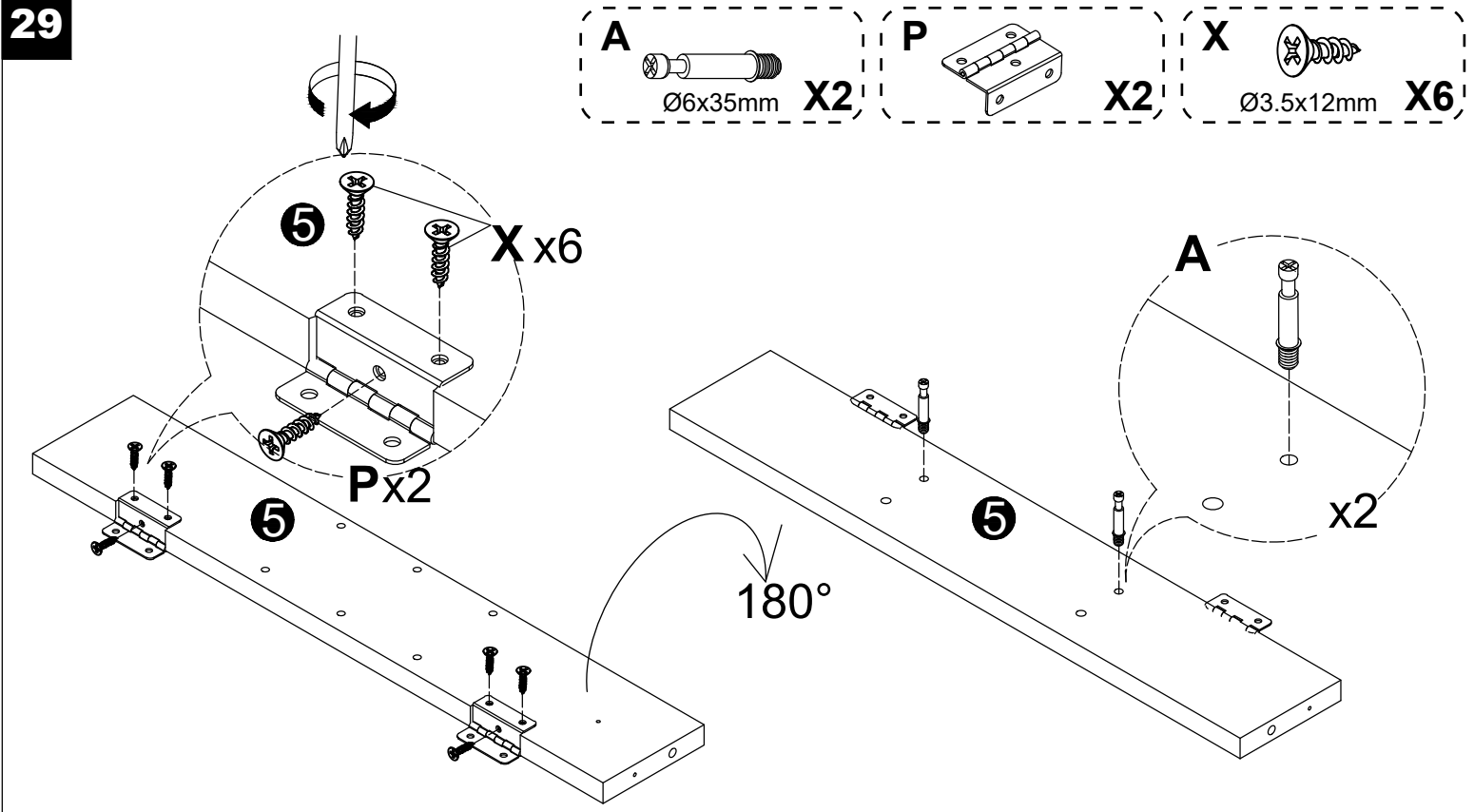


29

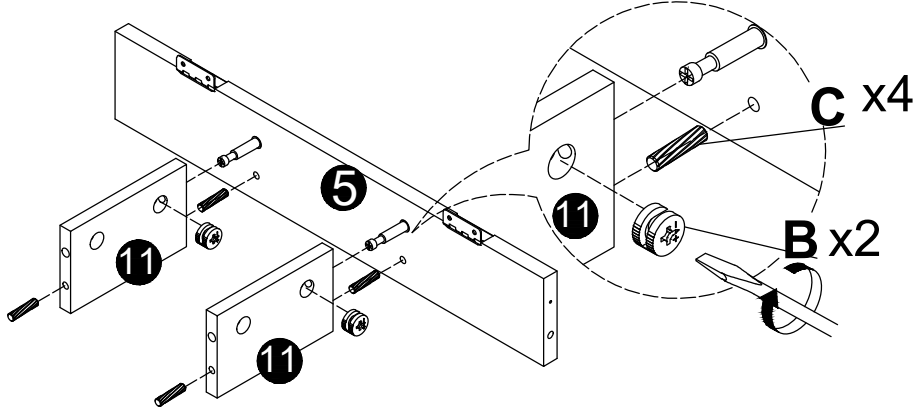
A
Ø6x35mm **X2**



P
X2

X
Ø3.5x12mm **X6**

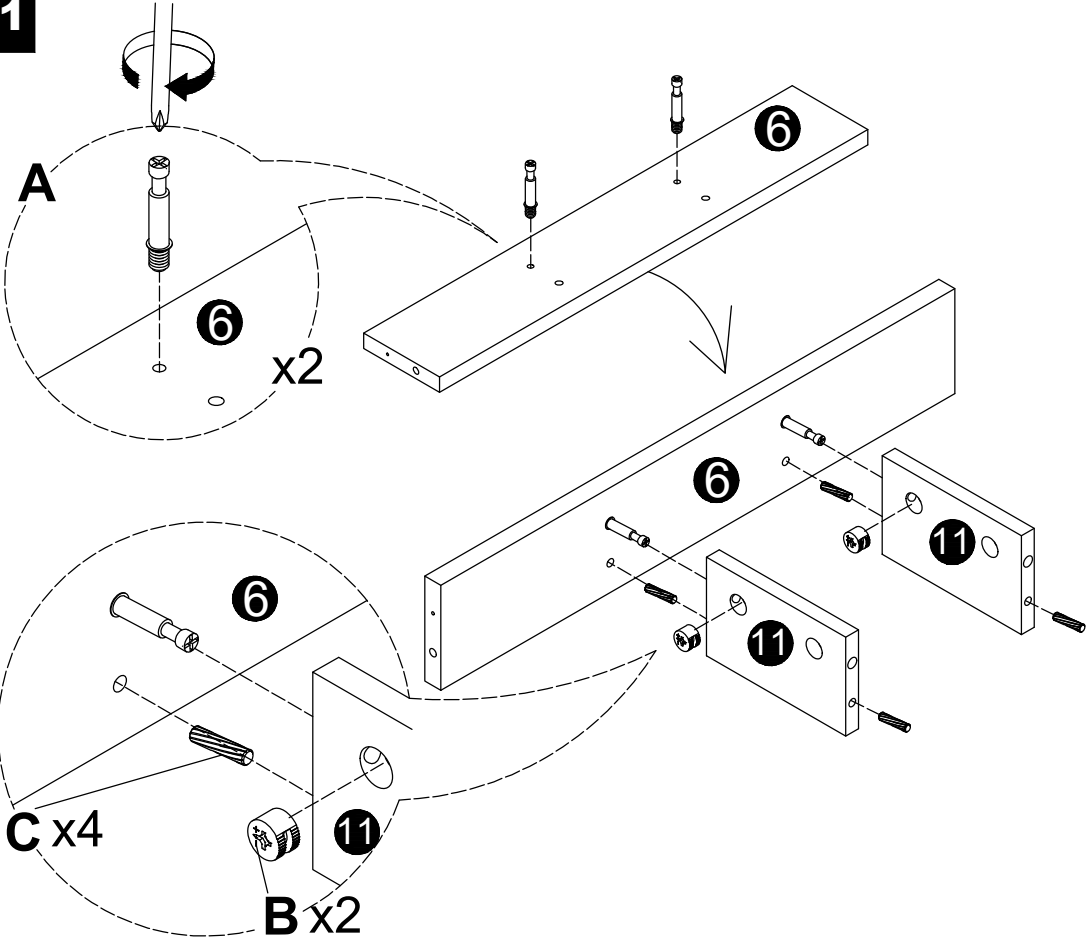


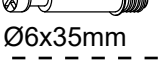


30



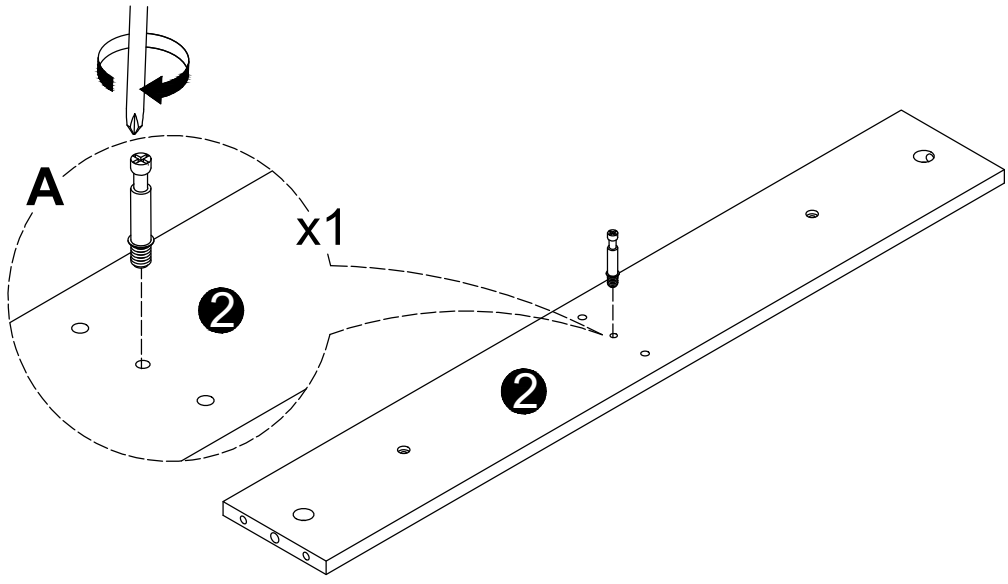
- B**  $\text{\O}15 \times 10 \text{mm}$ **X2**
- C**  $\text{\O}6 \times 30 \text{mm}$ **X4**

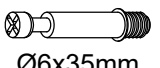
31

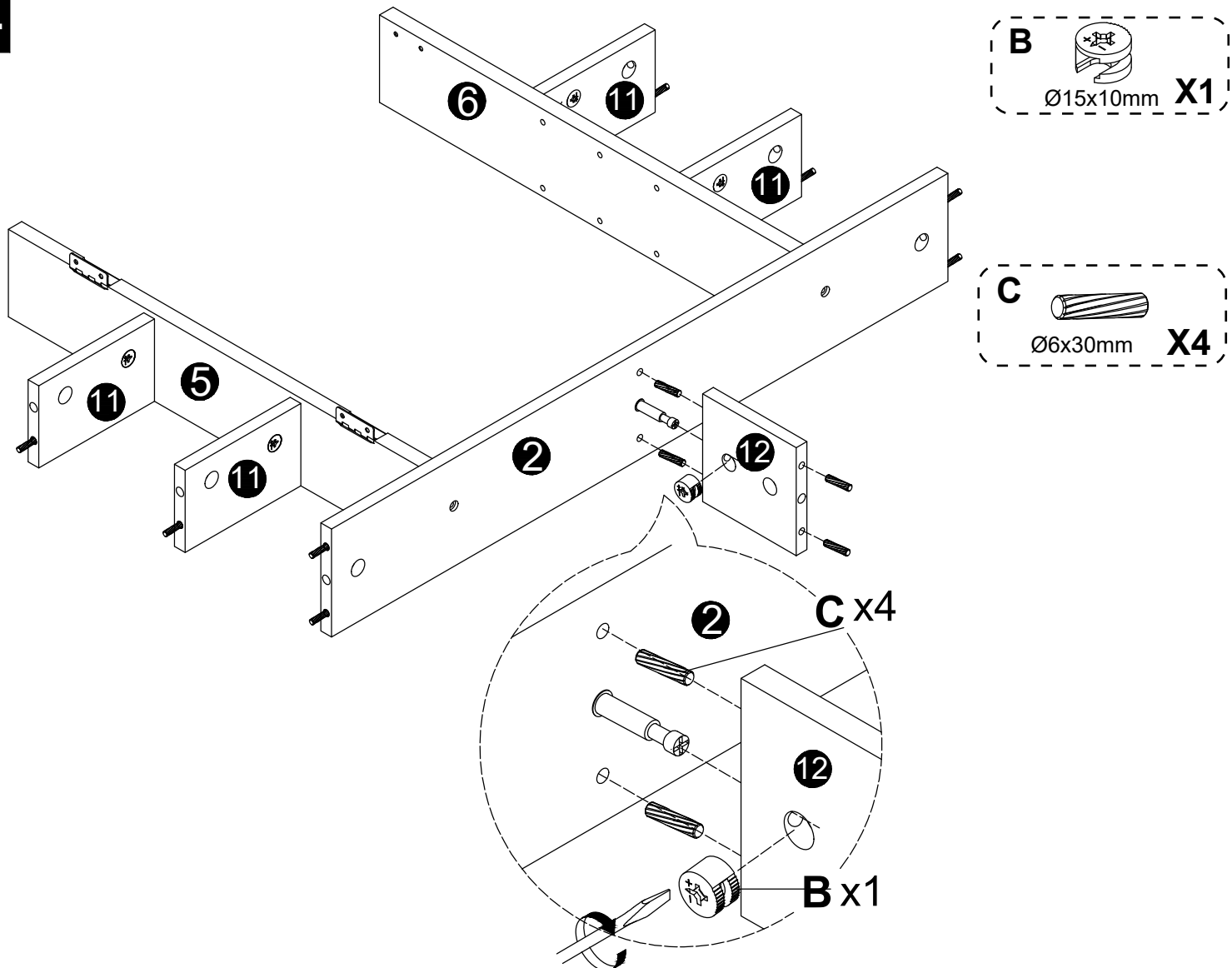
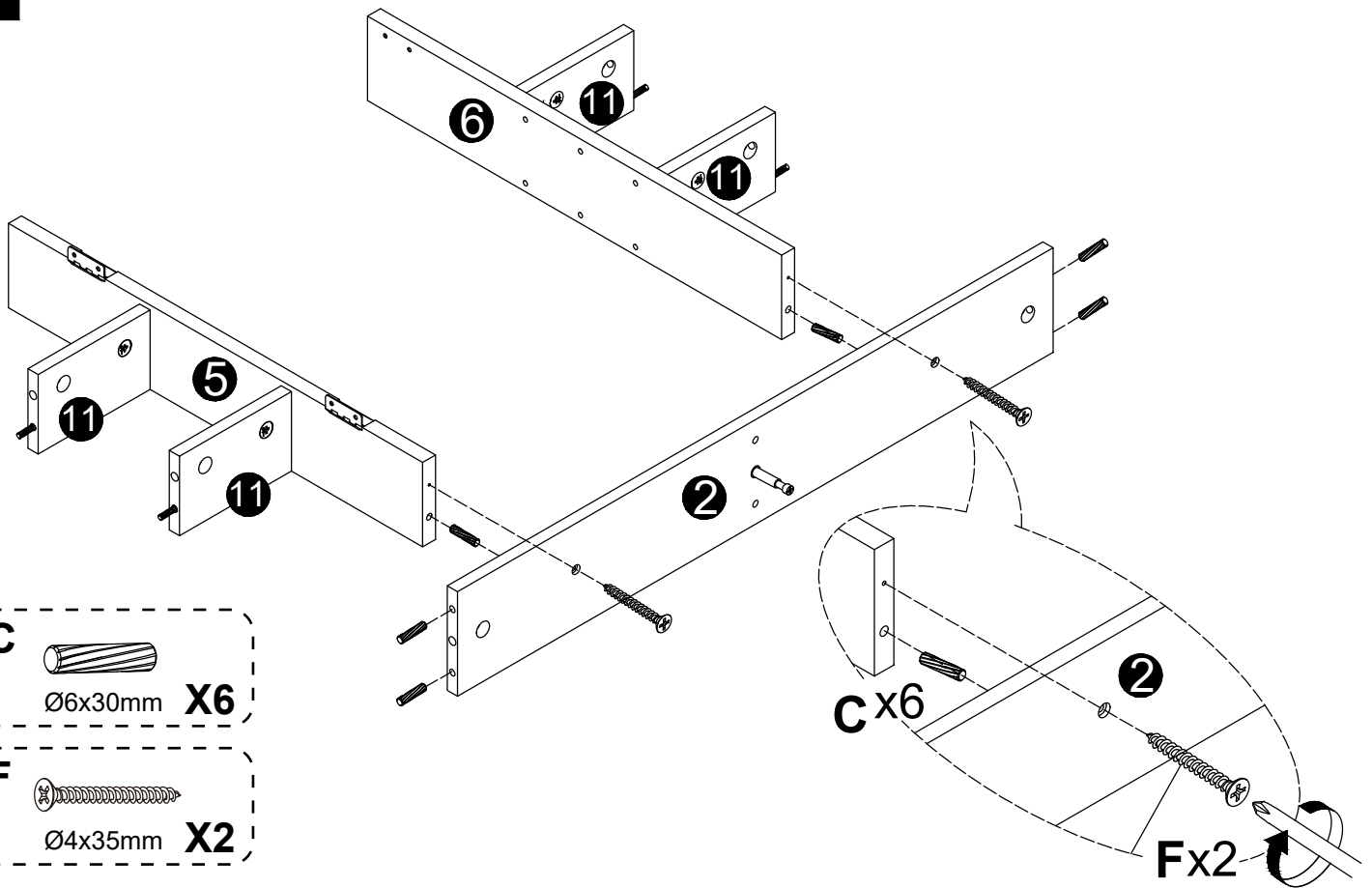


- A**  $\text{\O}6 \times 35 \text{mm}$ **X2**
- B**  $\text{\O}15 \times 10 \text{mm}$ **X2**
- C**  $\text{\O}6 \times 30 \text{mm}$ **X4**

32

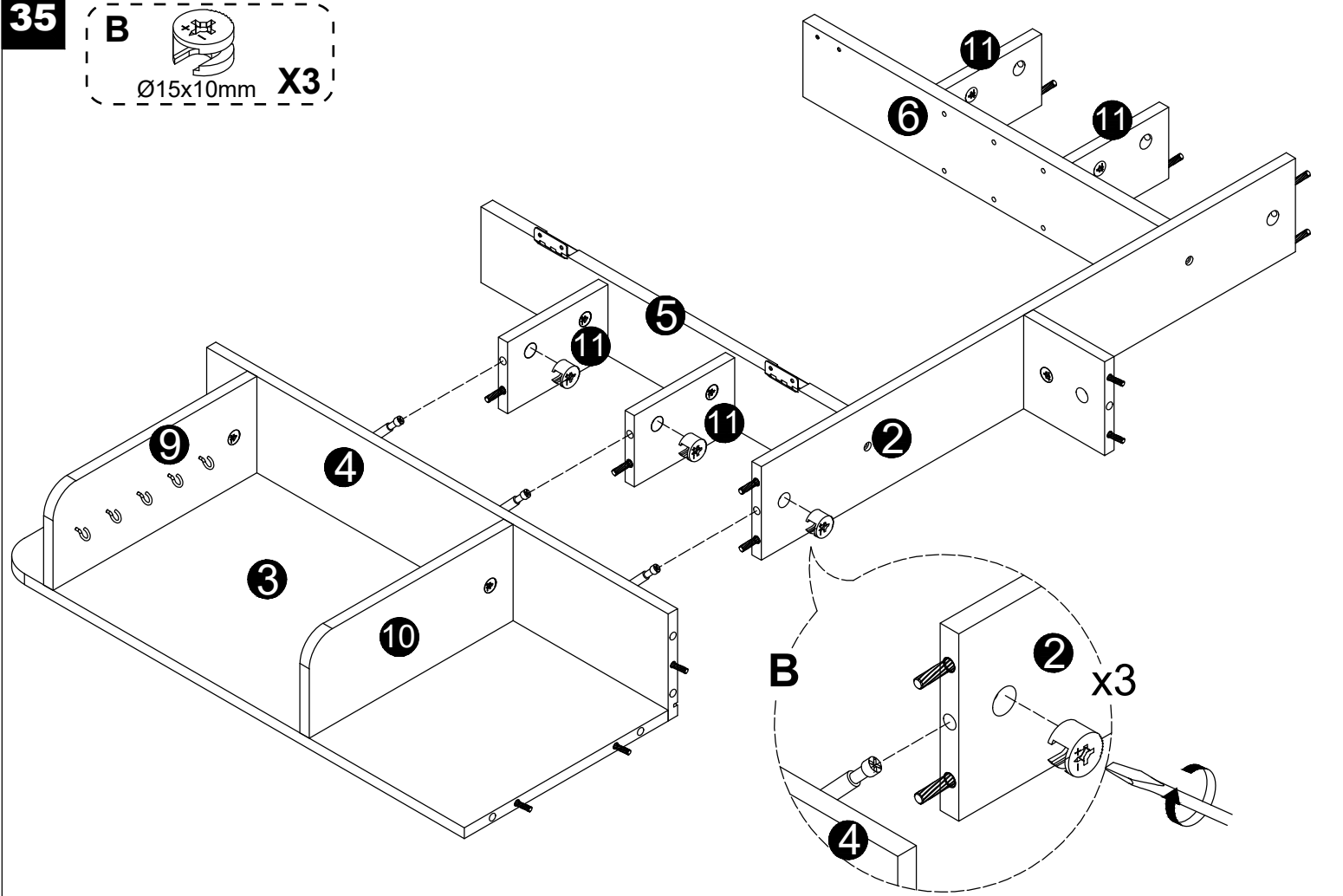


- A**  $\text{\O}6 \times 35 \text{mm}$ **X1**

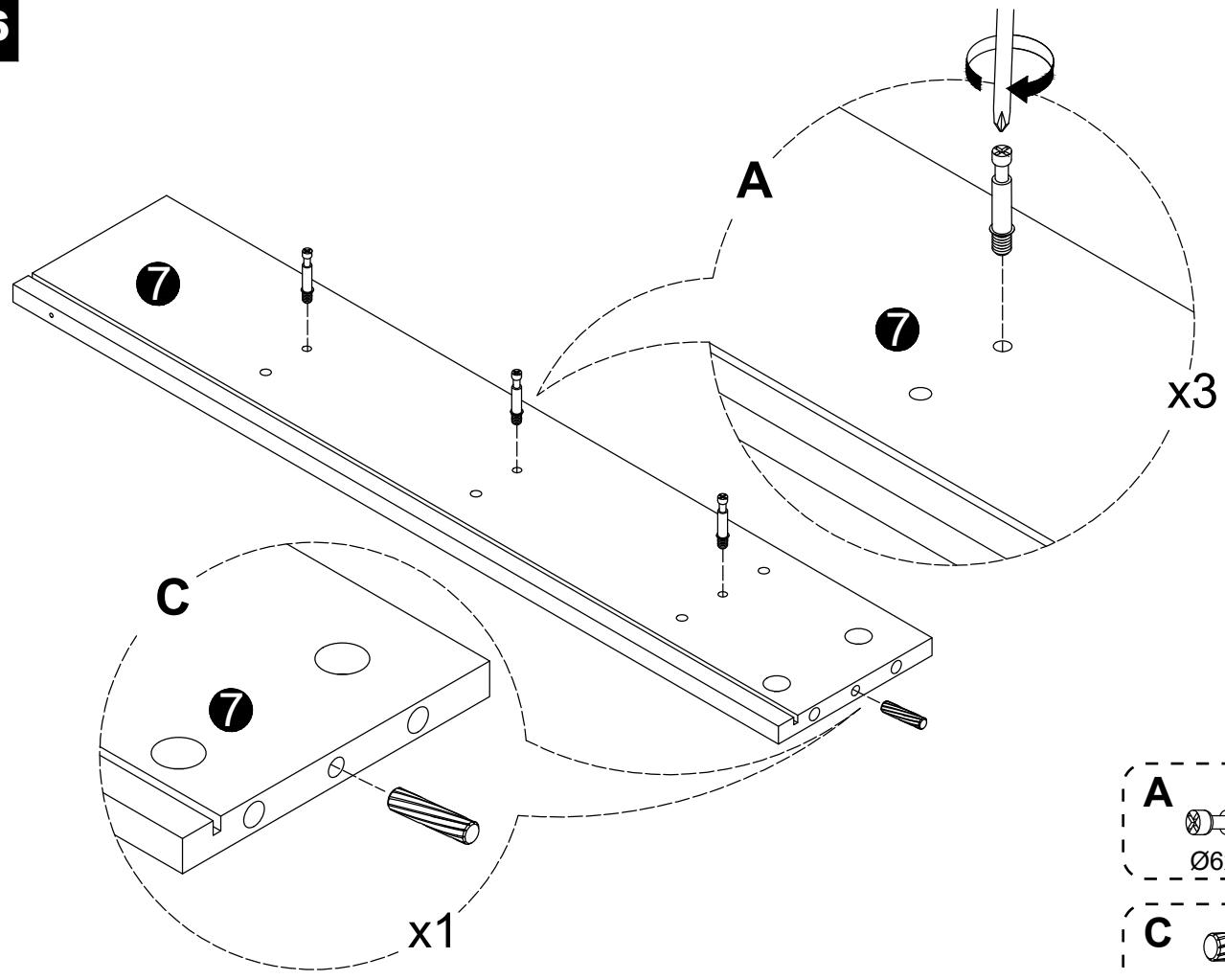


35

B
Ø15x10mm **X3**




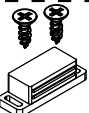
36

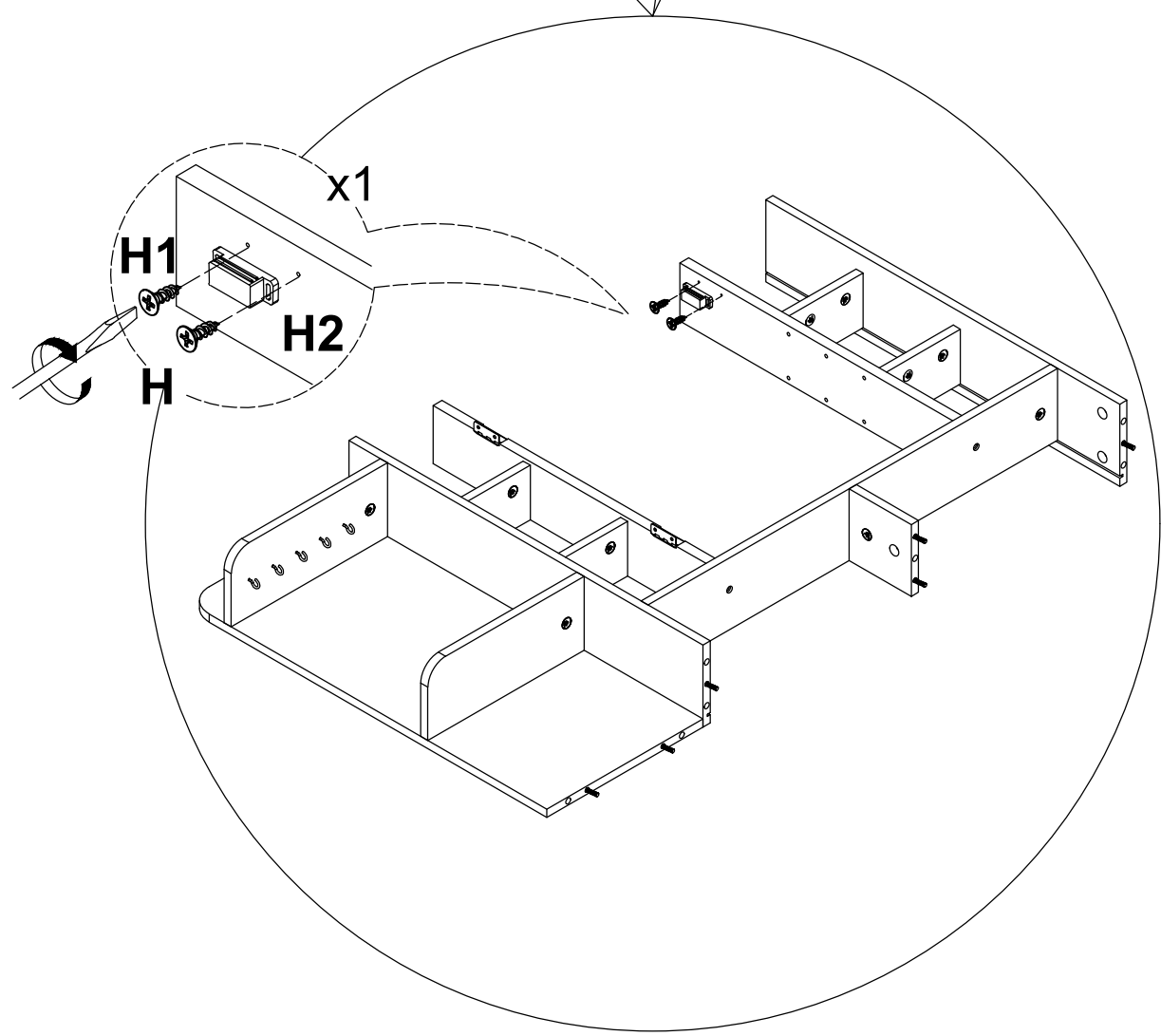
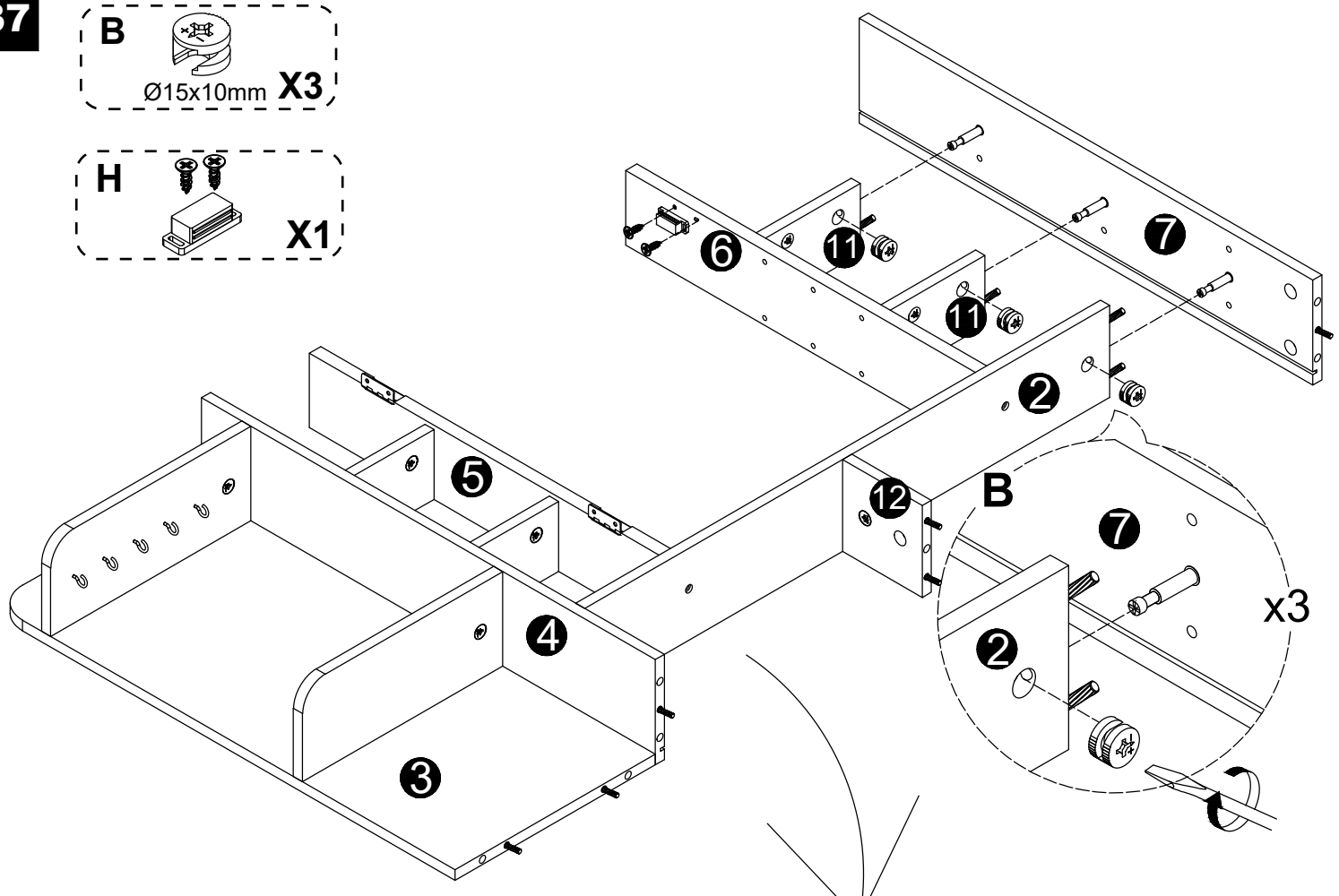


A
Ø6x35mm **X3**

C
Ø6x30mm **X1**

B  $\varnothing 15 \times 10 \text{mm}$ **X3**

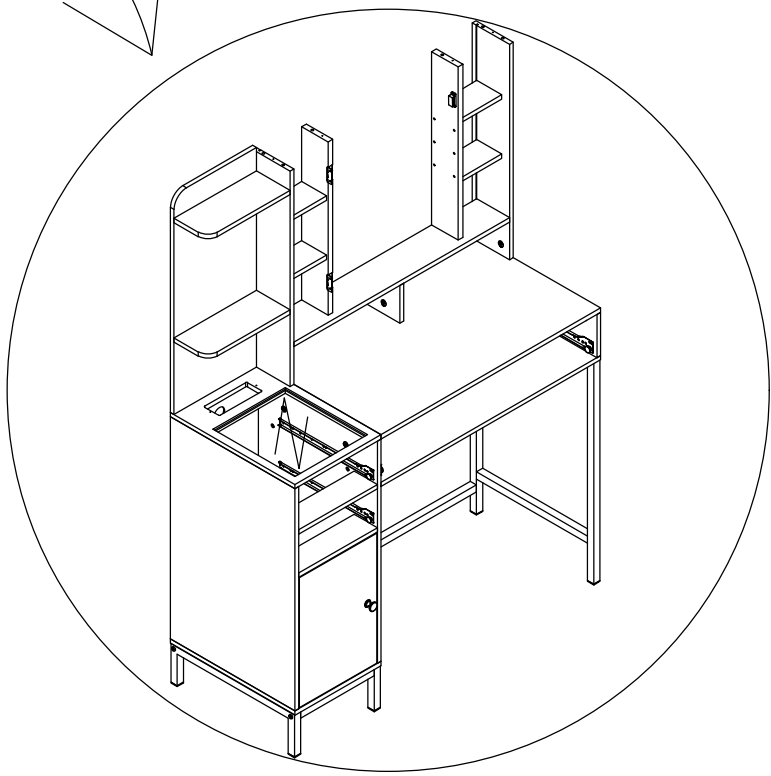
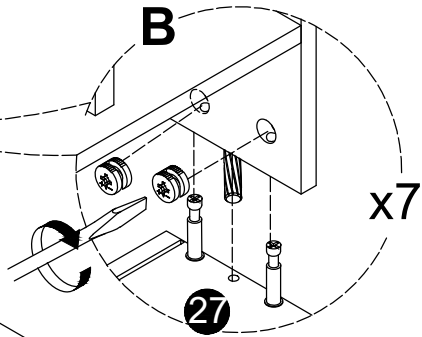
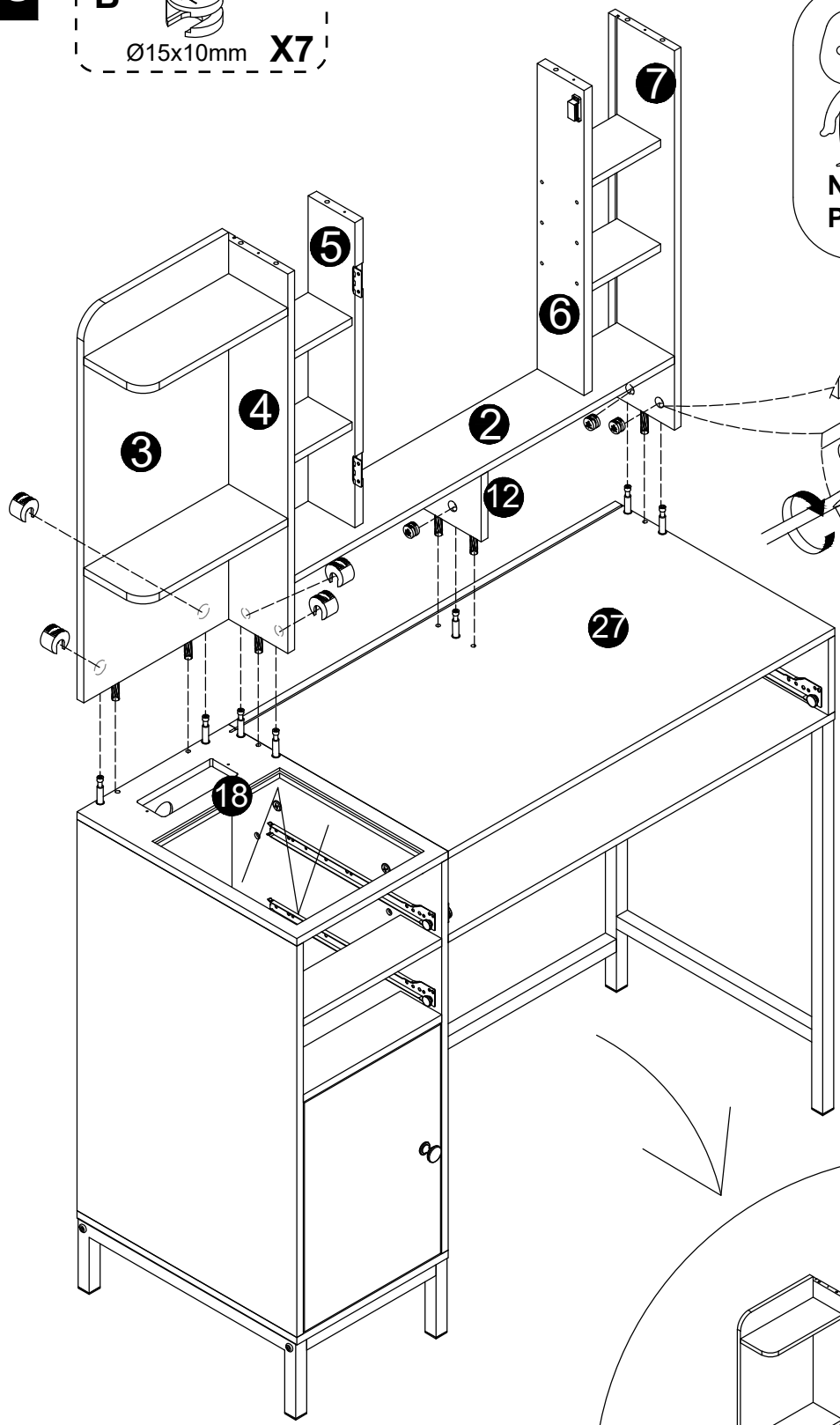
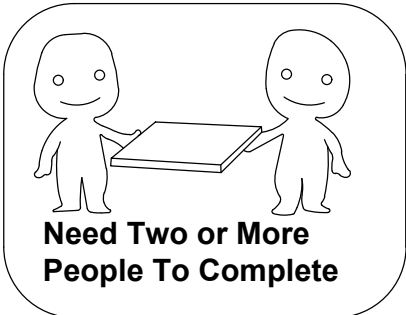
H  **X1**

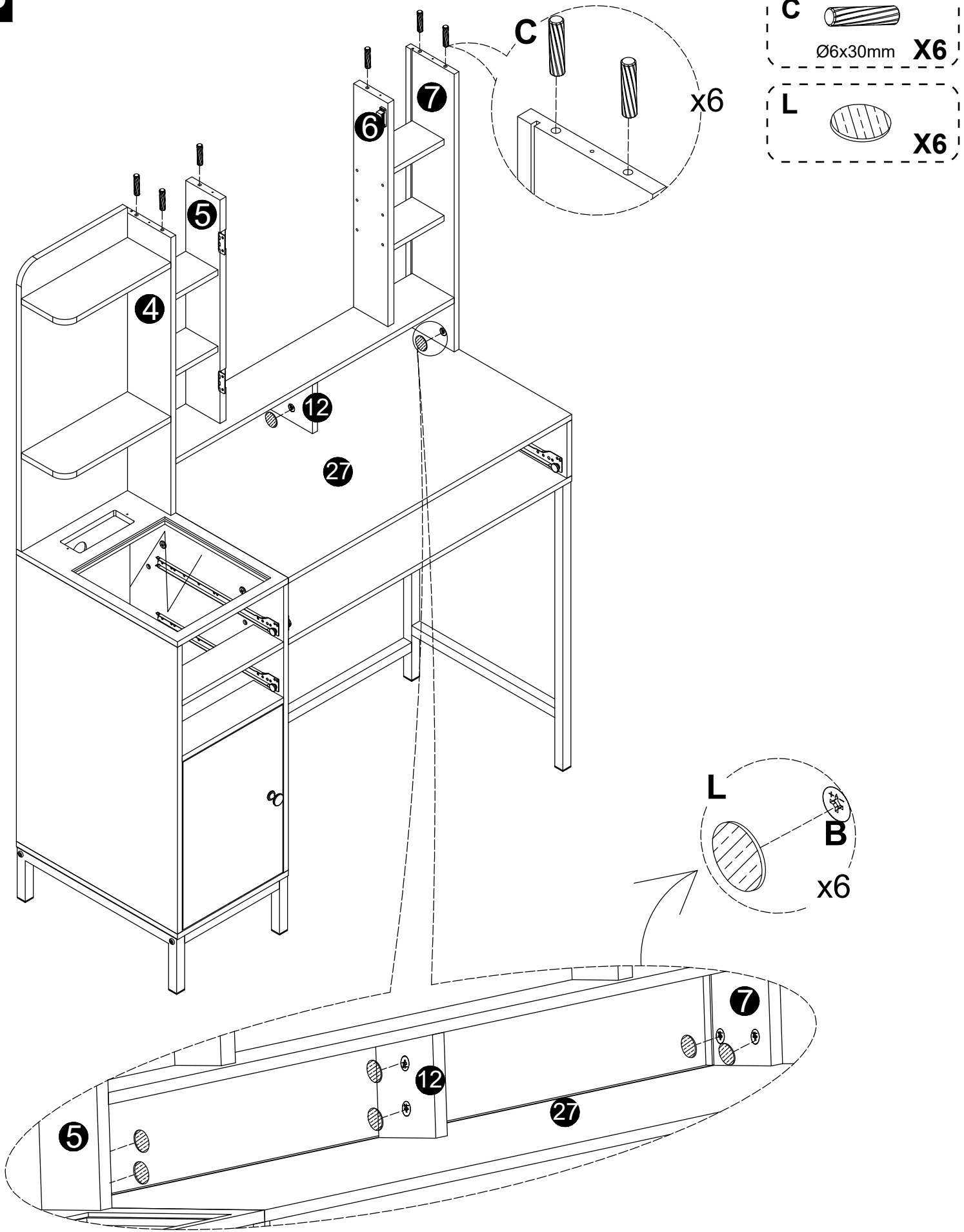


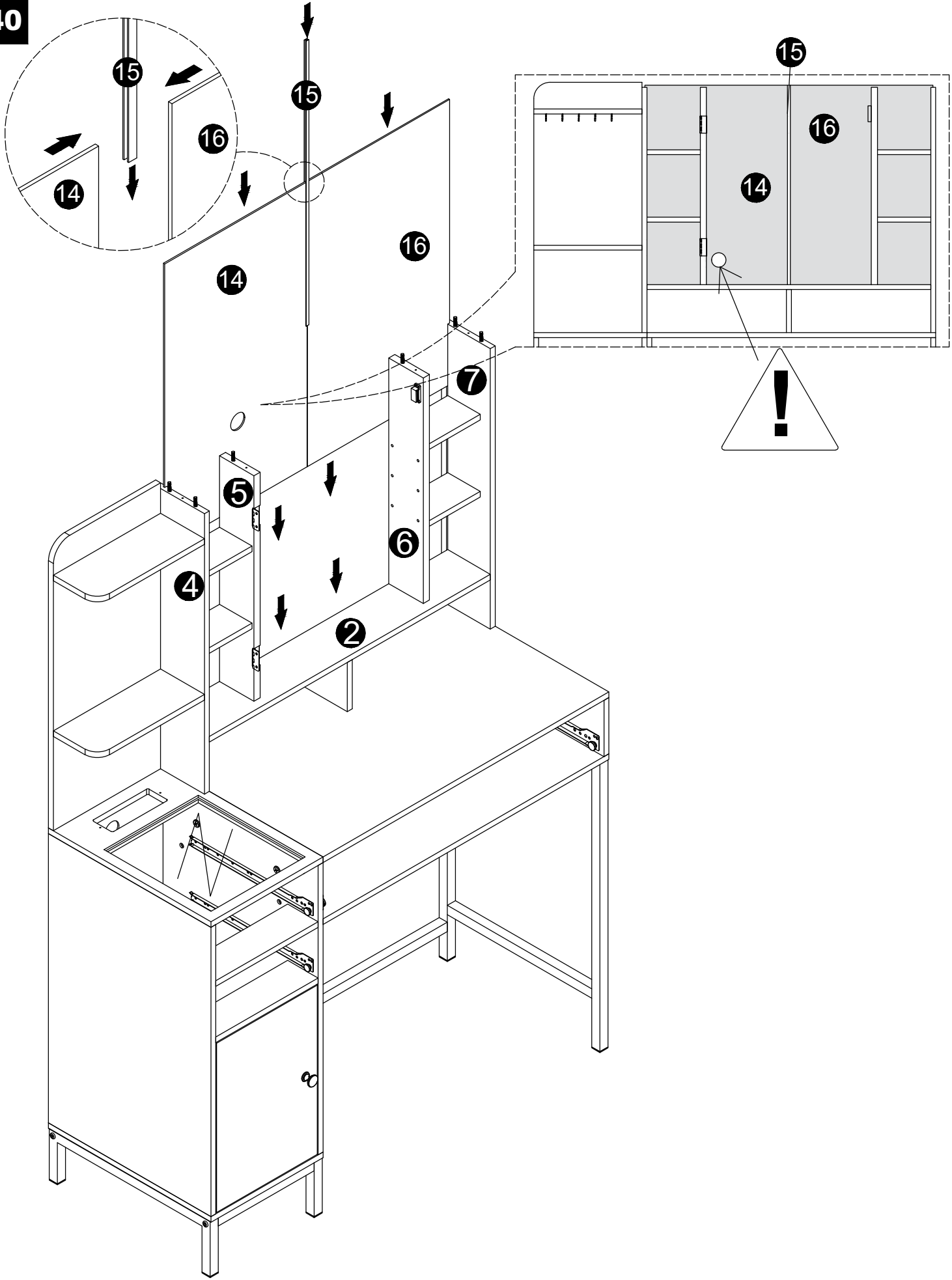
B

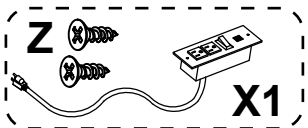
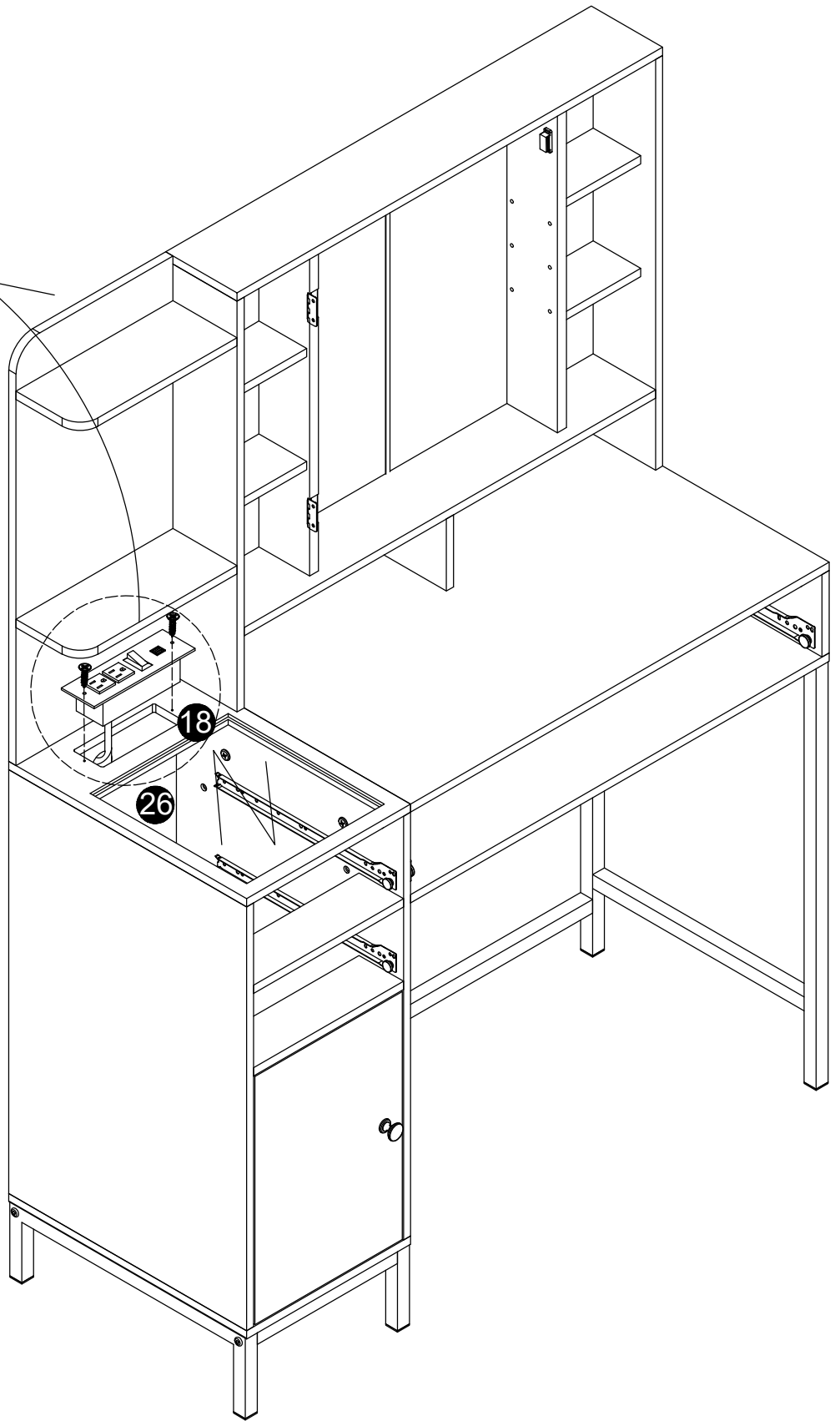
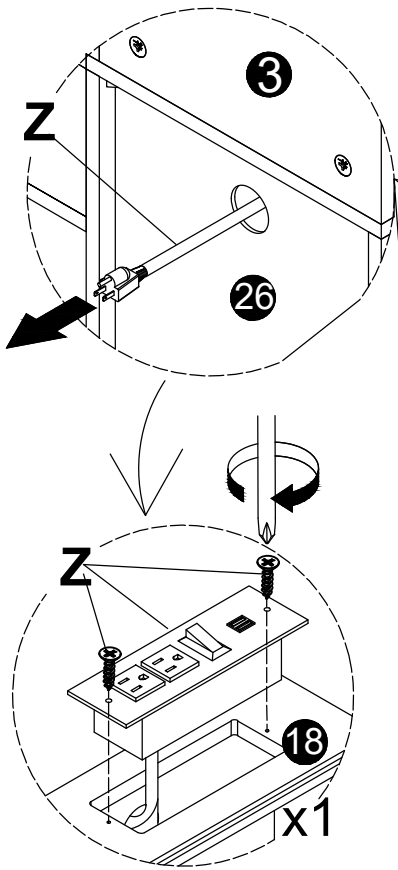


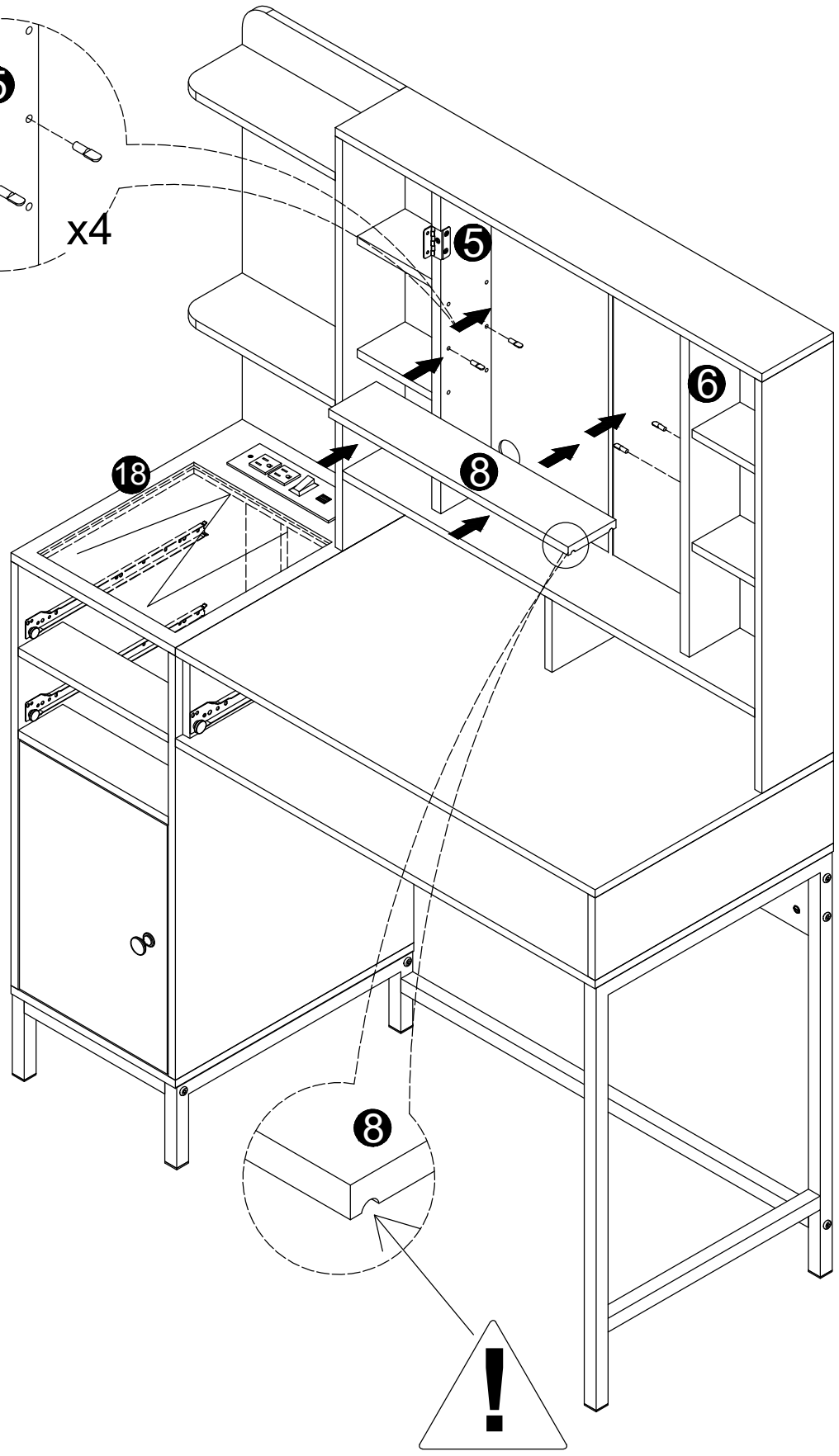
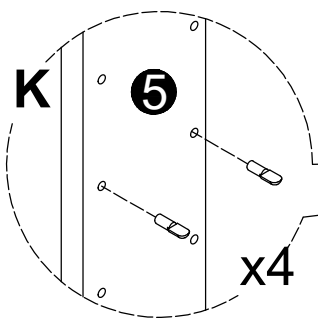
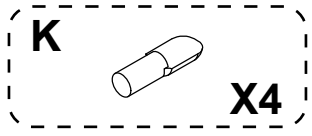
Ø15x10mm X7

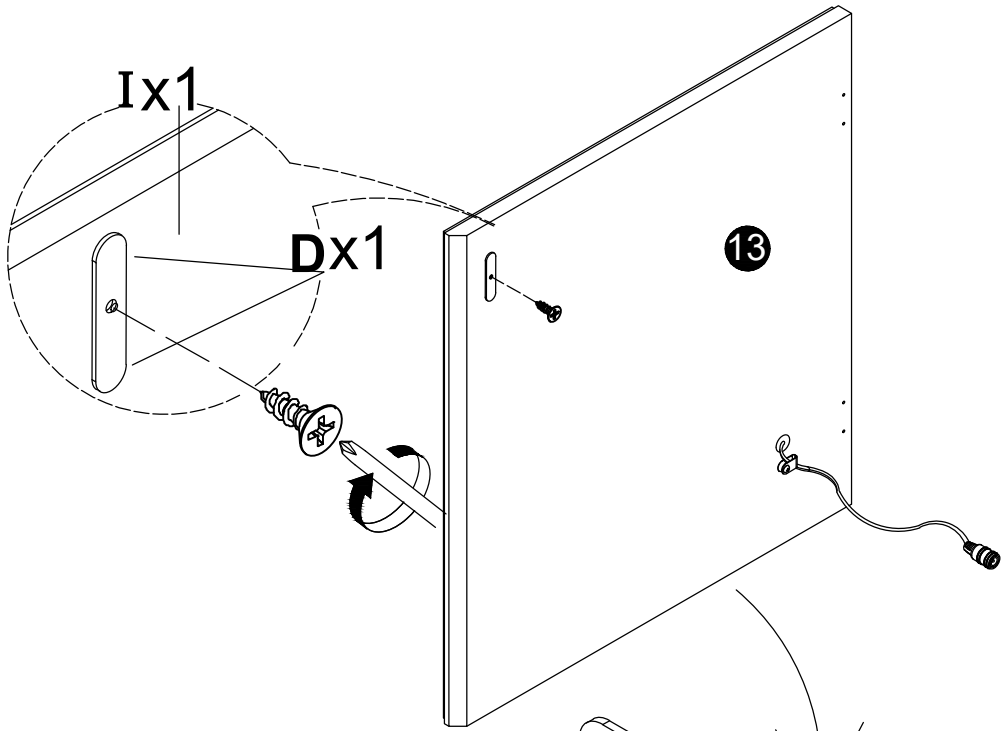



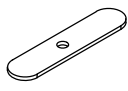



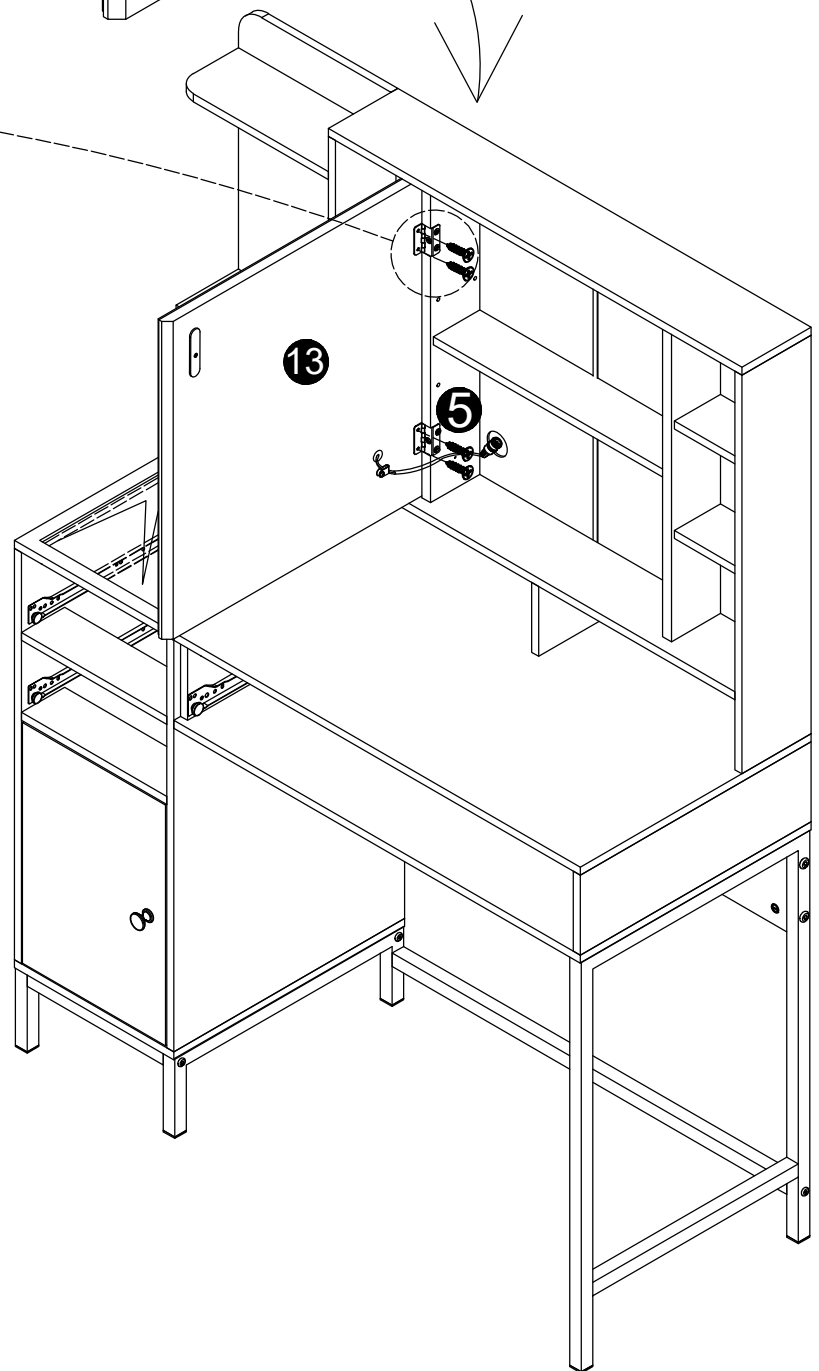
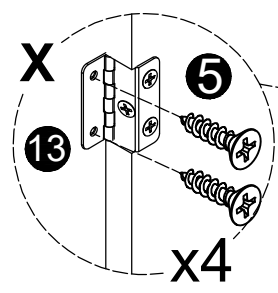


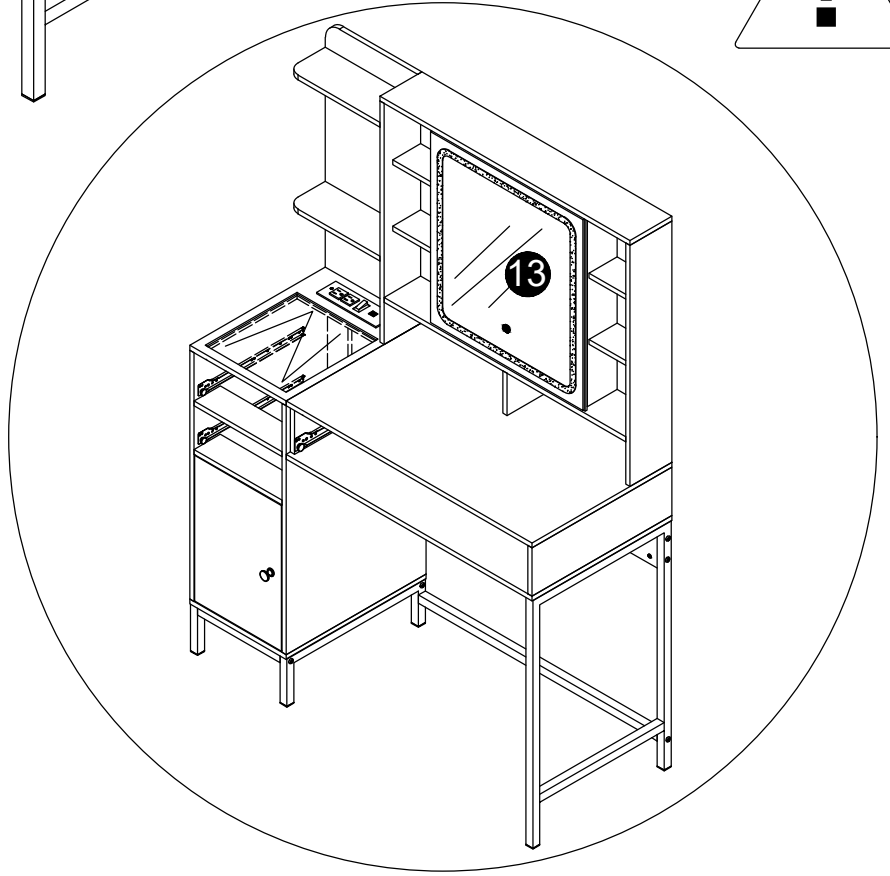
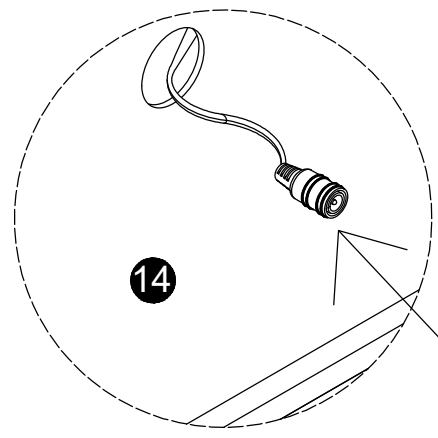
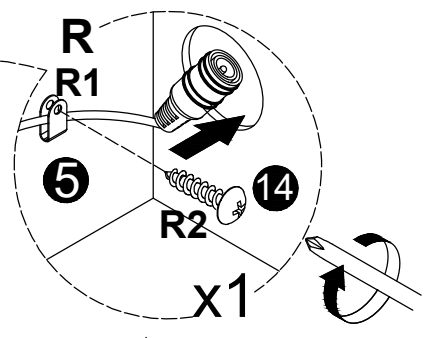
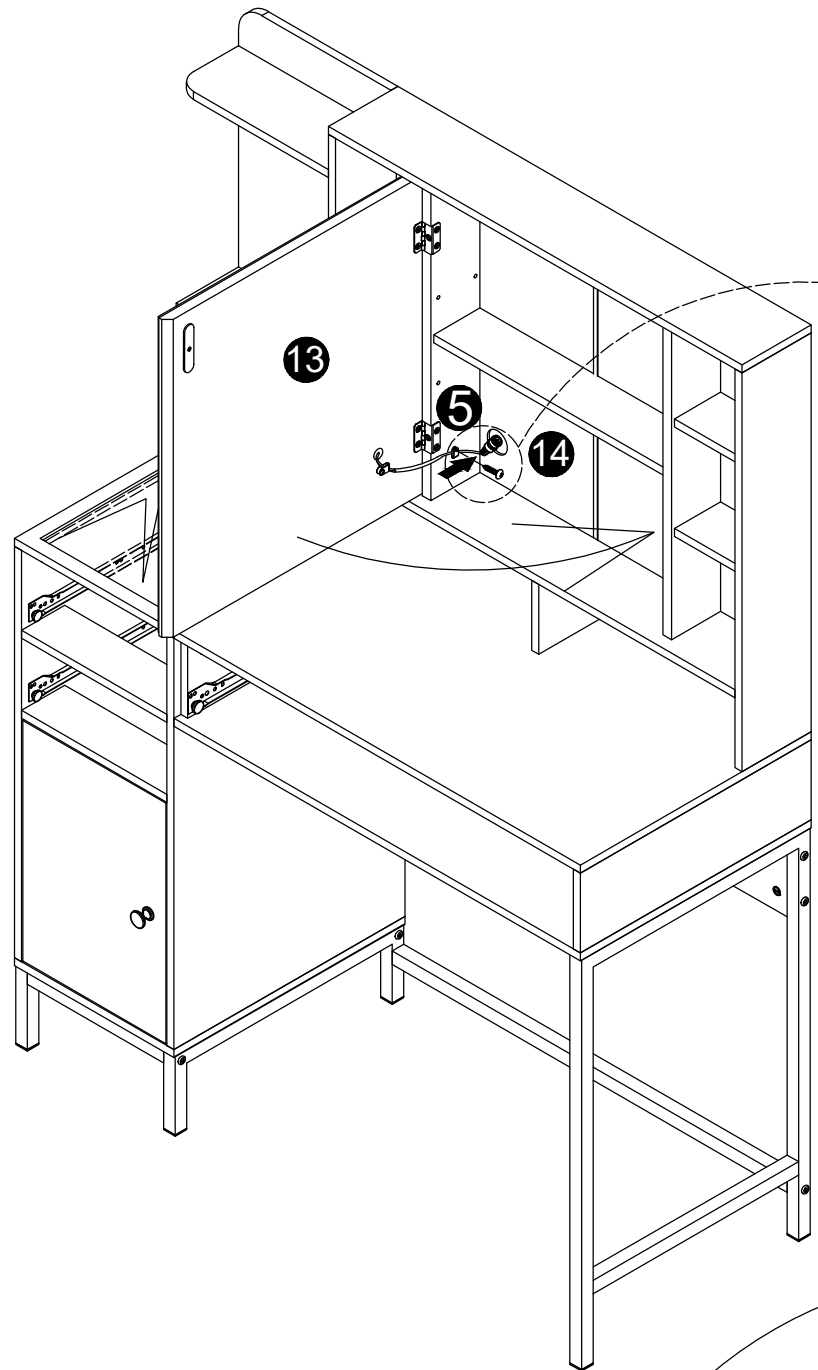
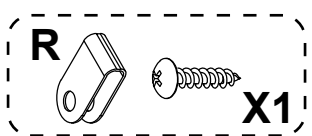


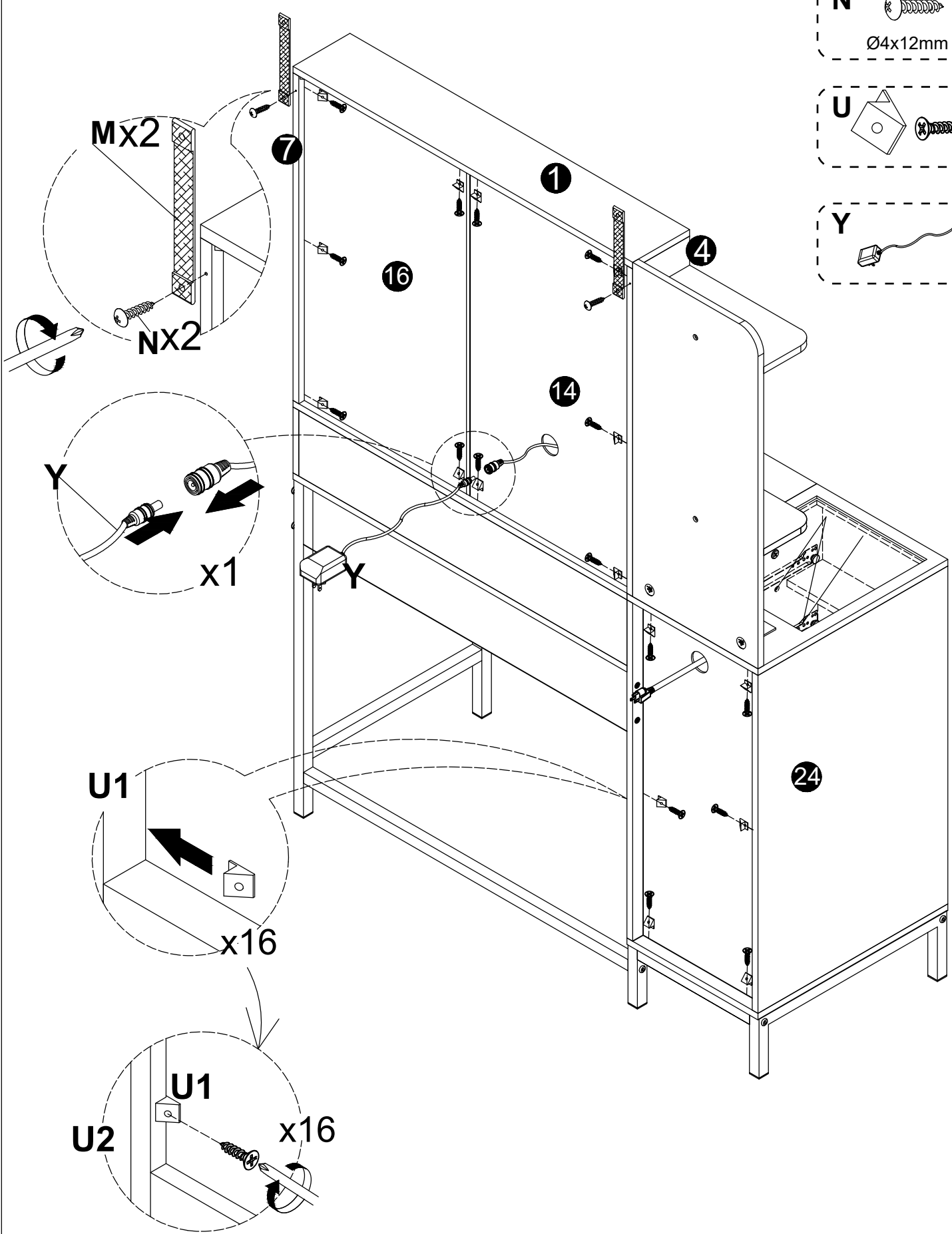
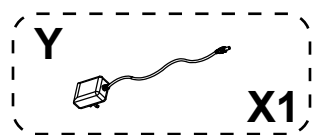
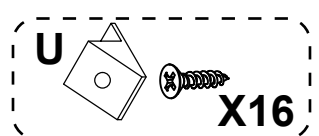
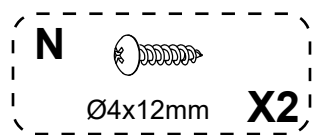
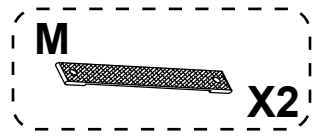


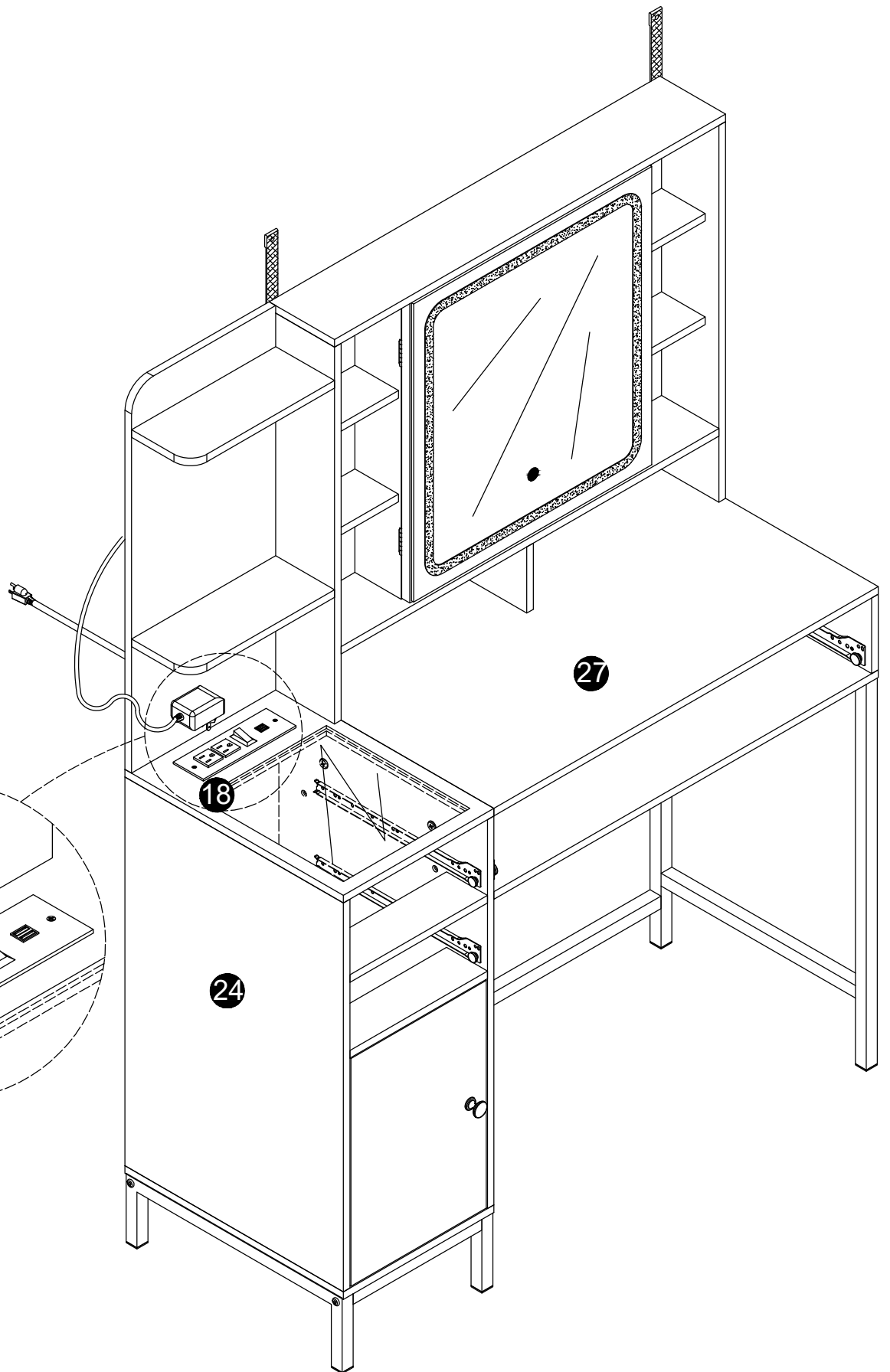


- D**  Ø3.5x10mm **X1**
- I**  **X1**
- X**  Ø3.5x12mm **X4**

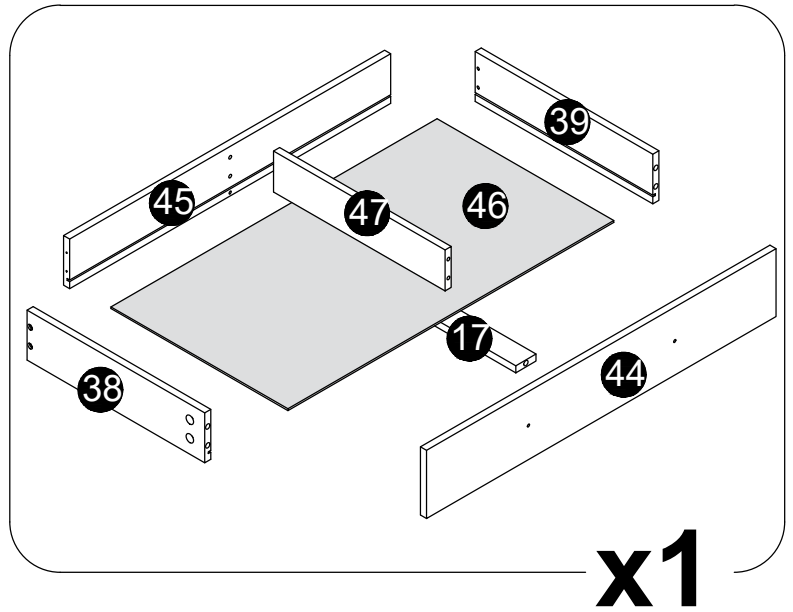
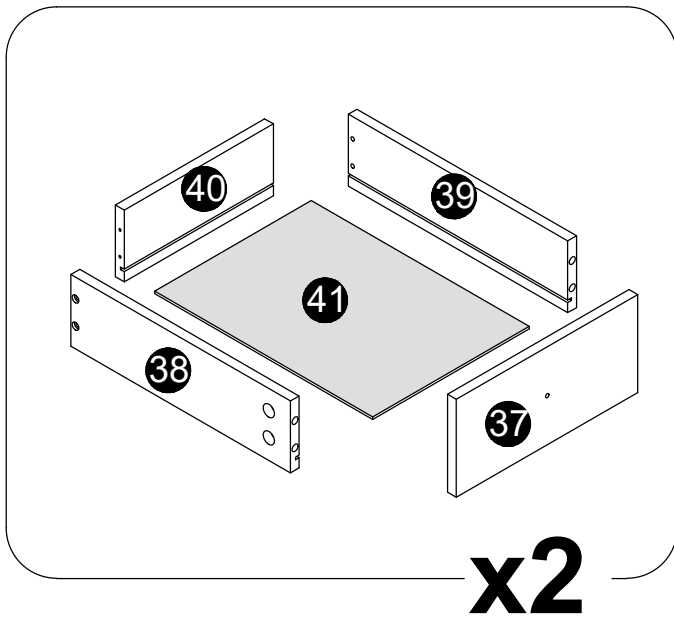




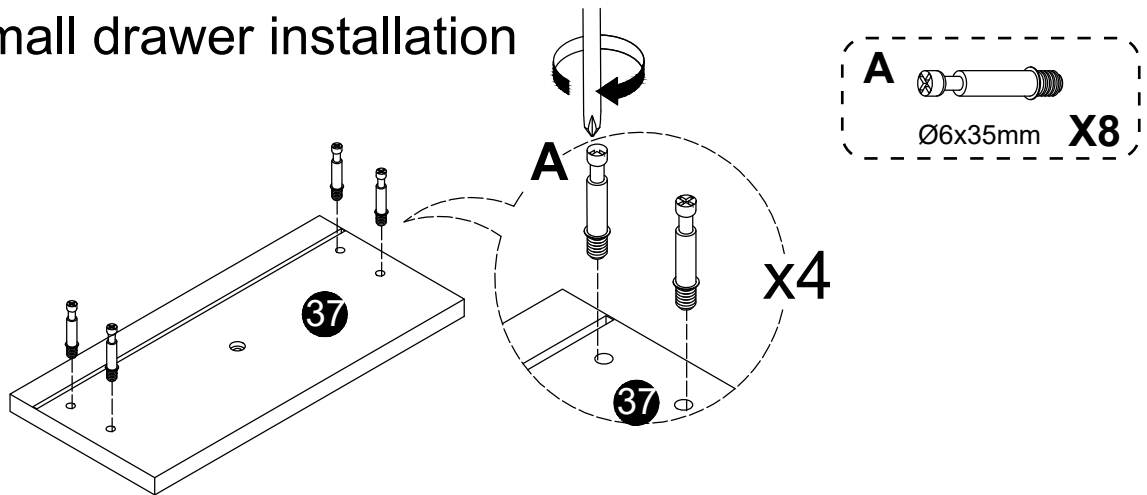




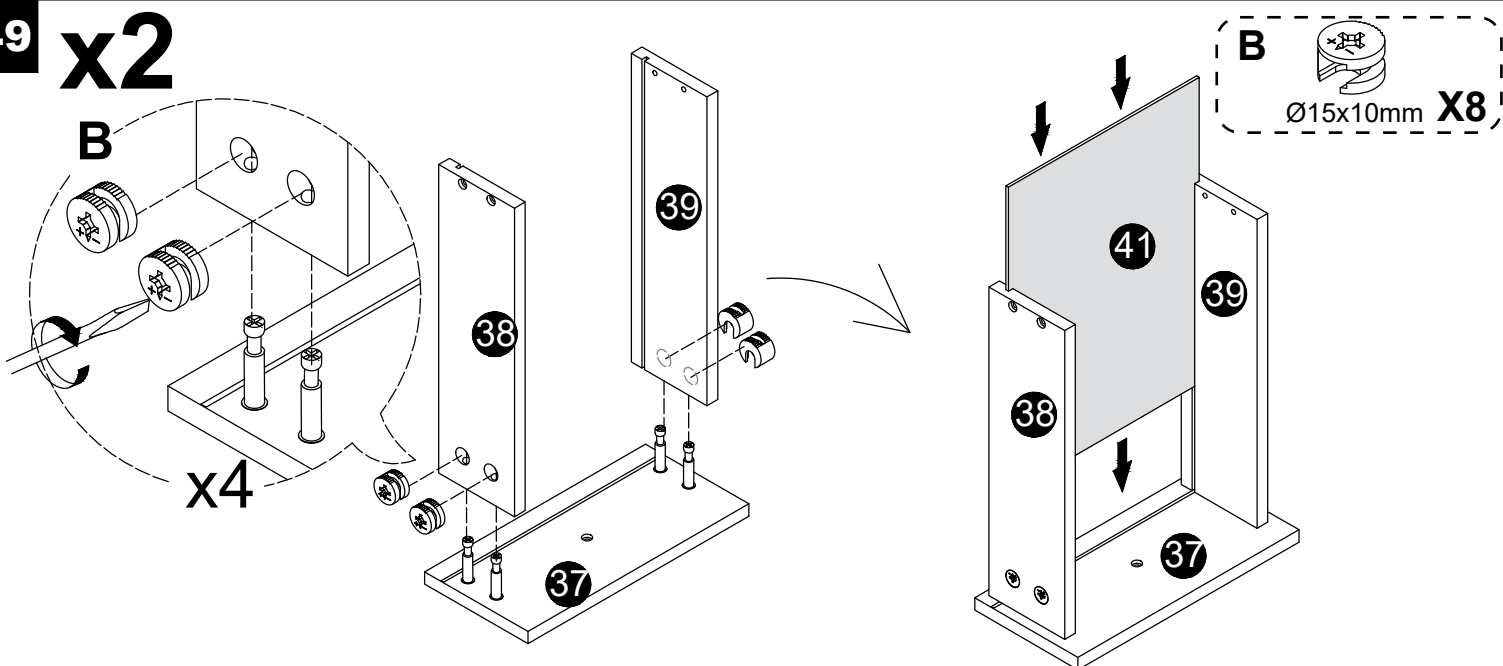
Rest awhile, installing drawers next is a repetitive task
 Drawer installation



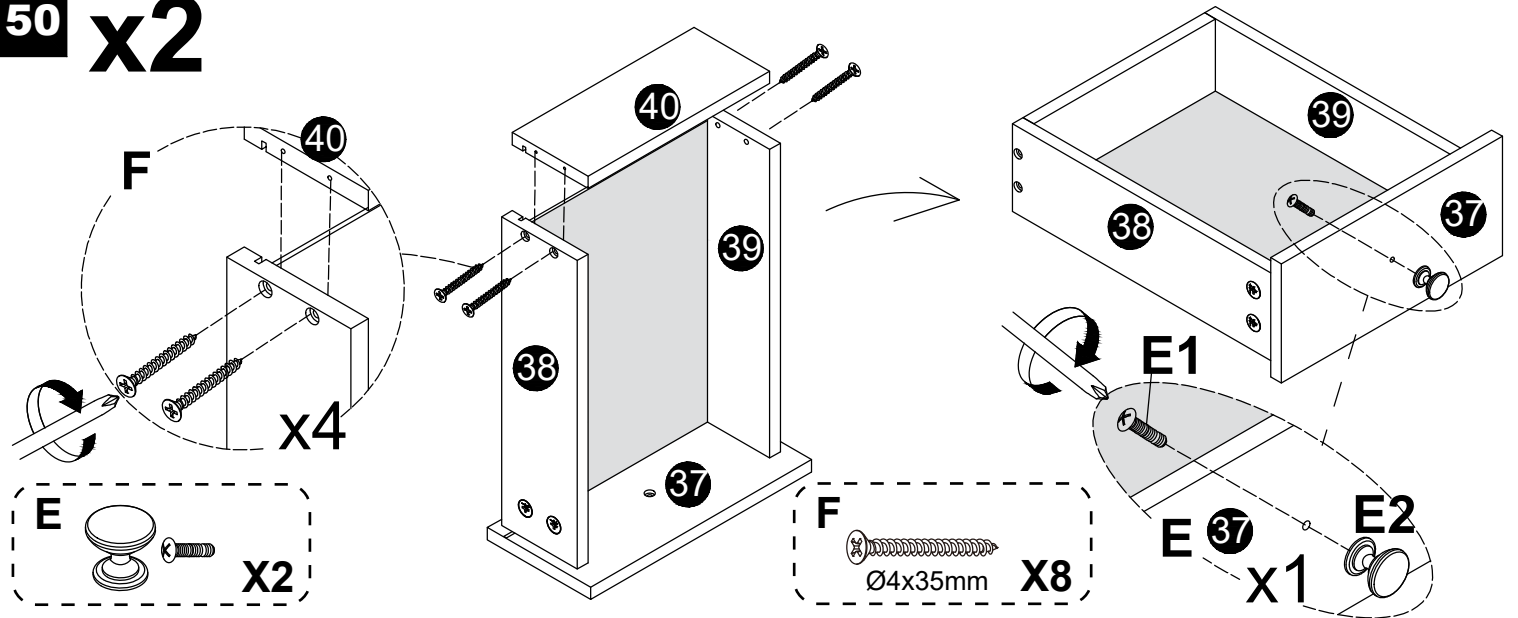
48 **x2** Small drawer installation



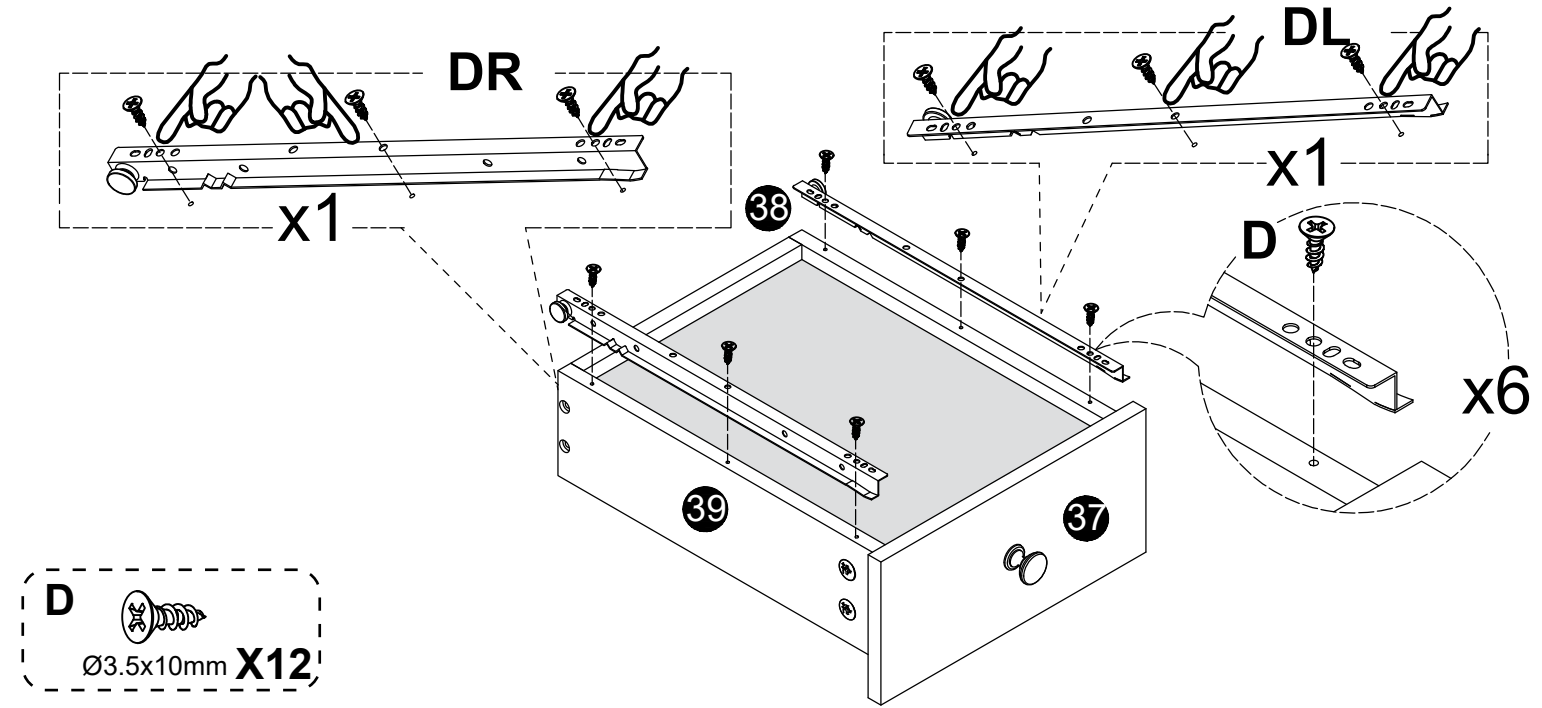
49 **x2**



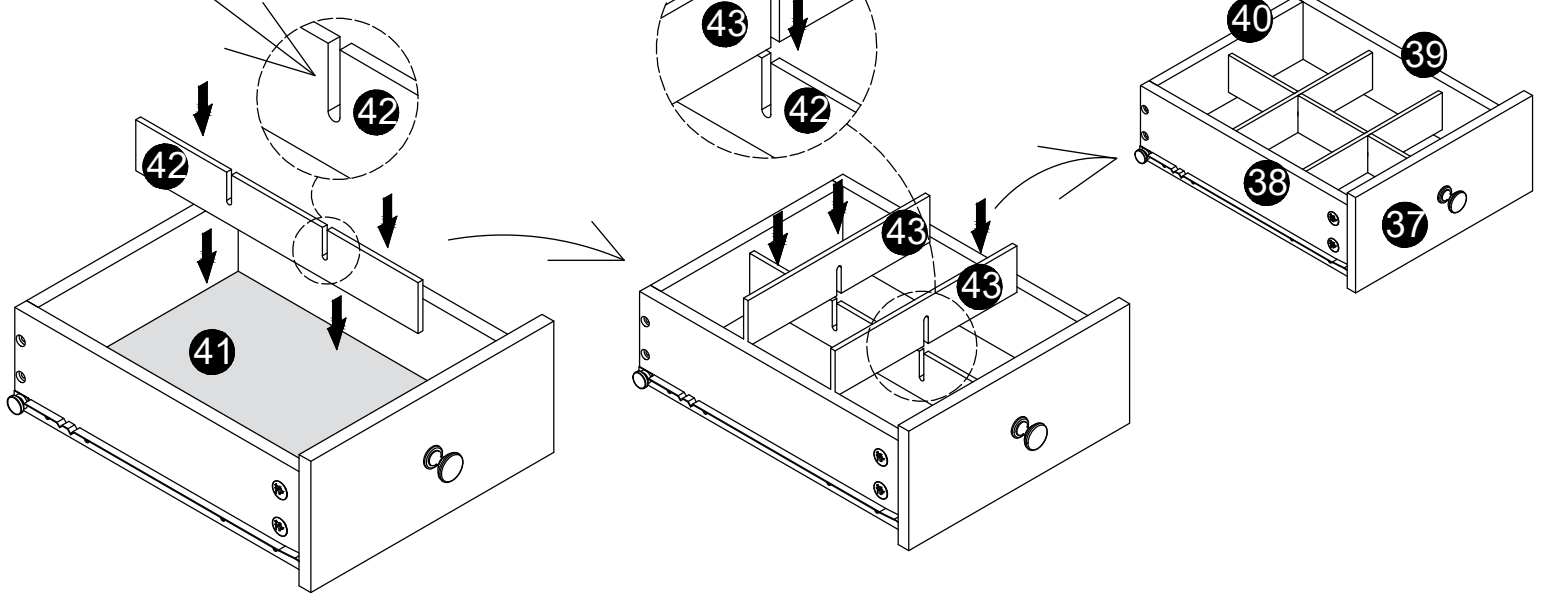
50 x2

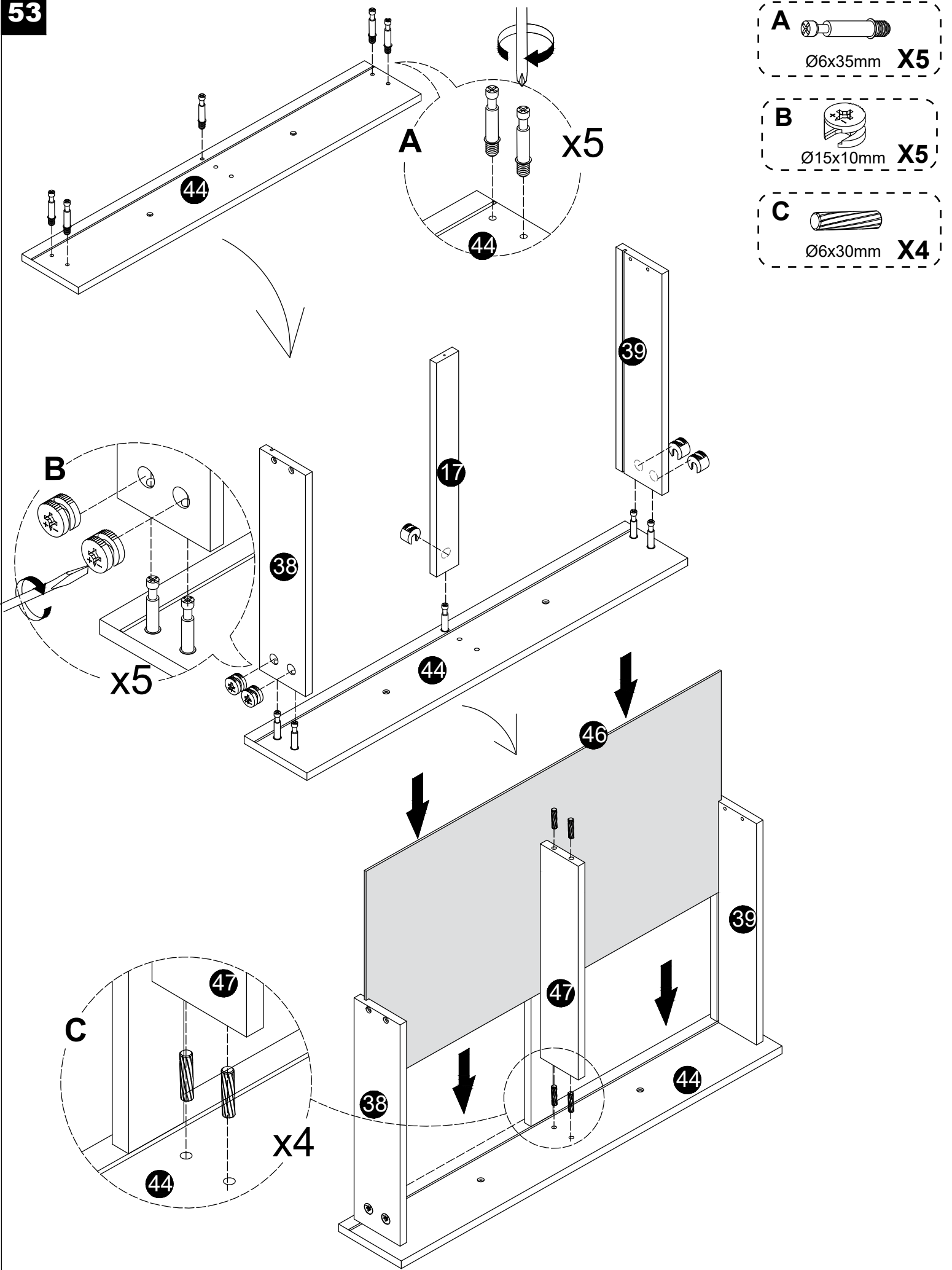


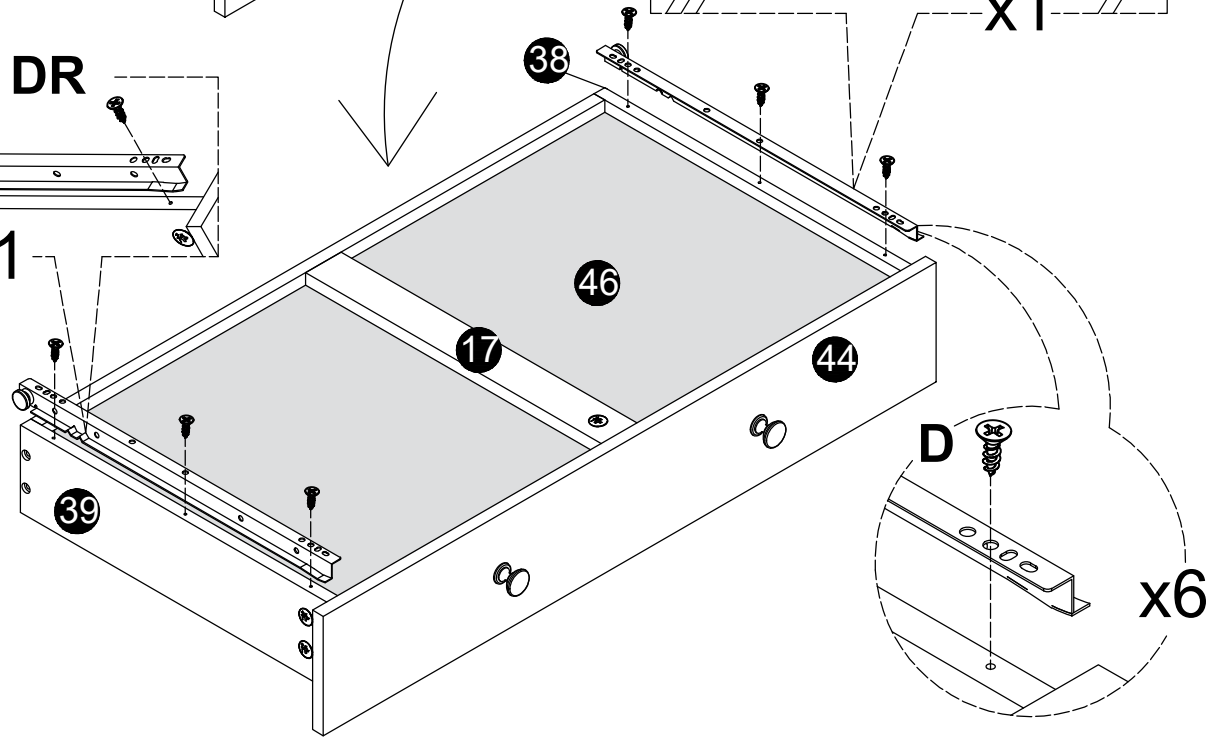
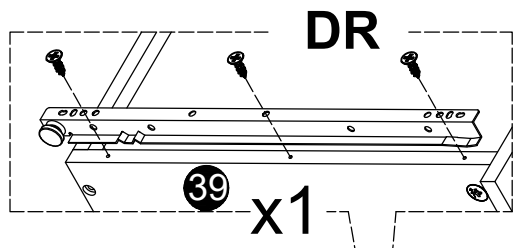
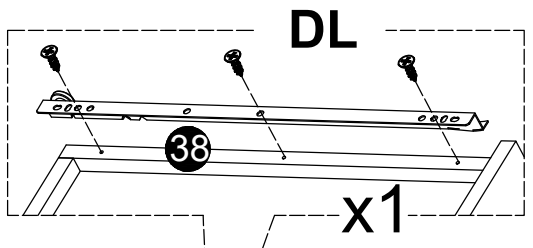
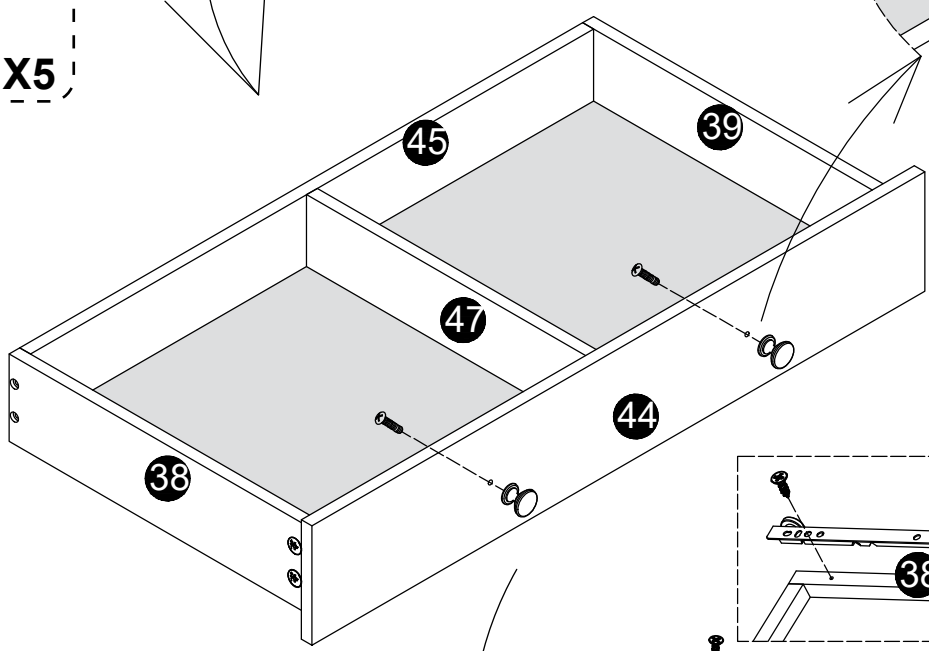
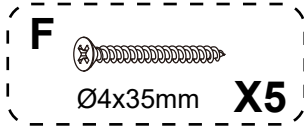
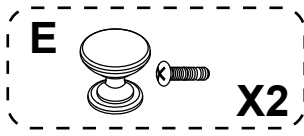
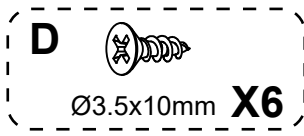
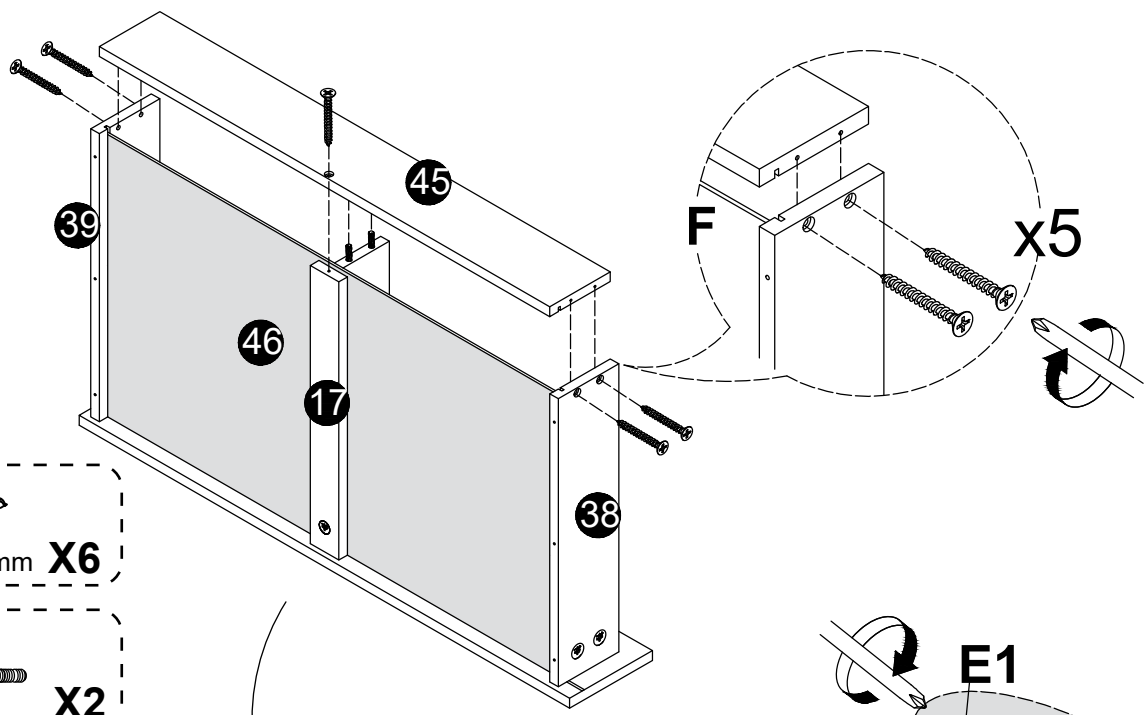
51 x2



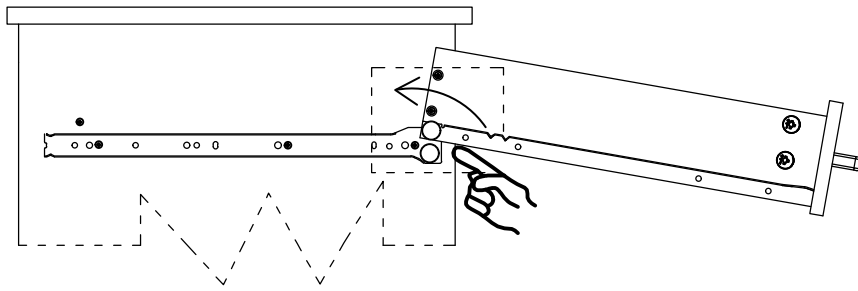
52



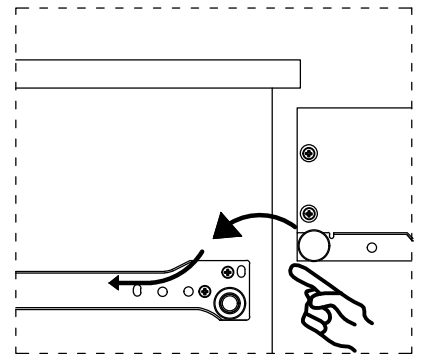
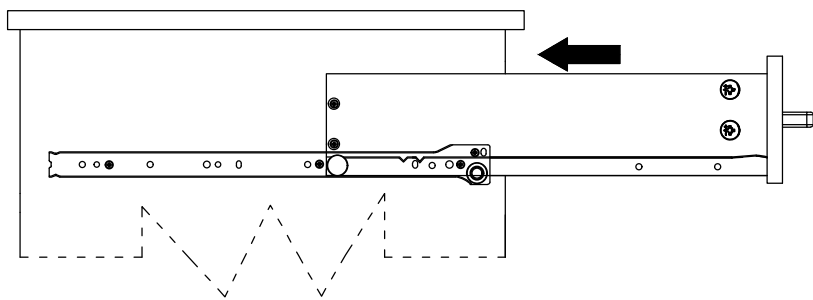




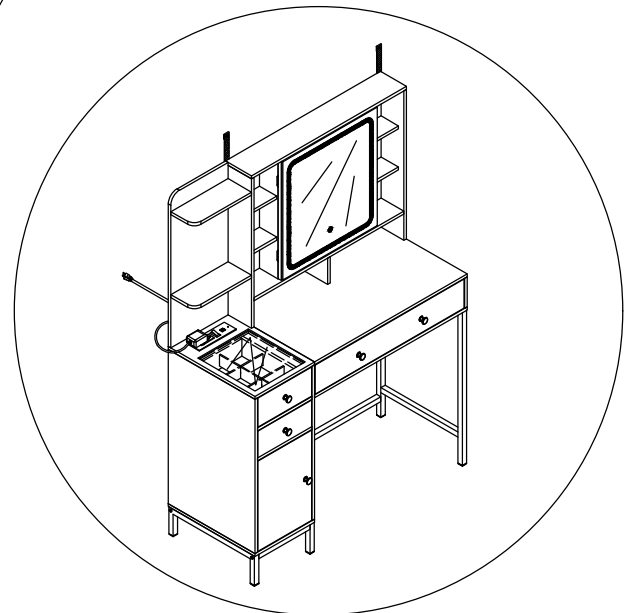
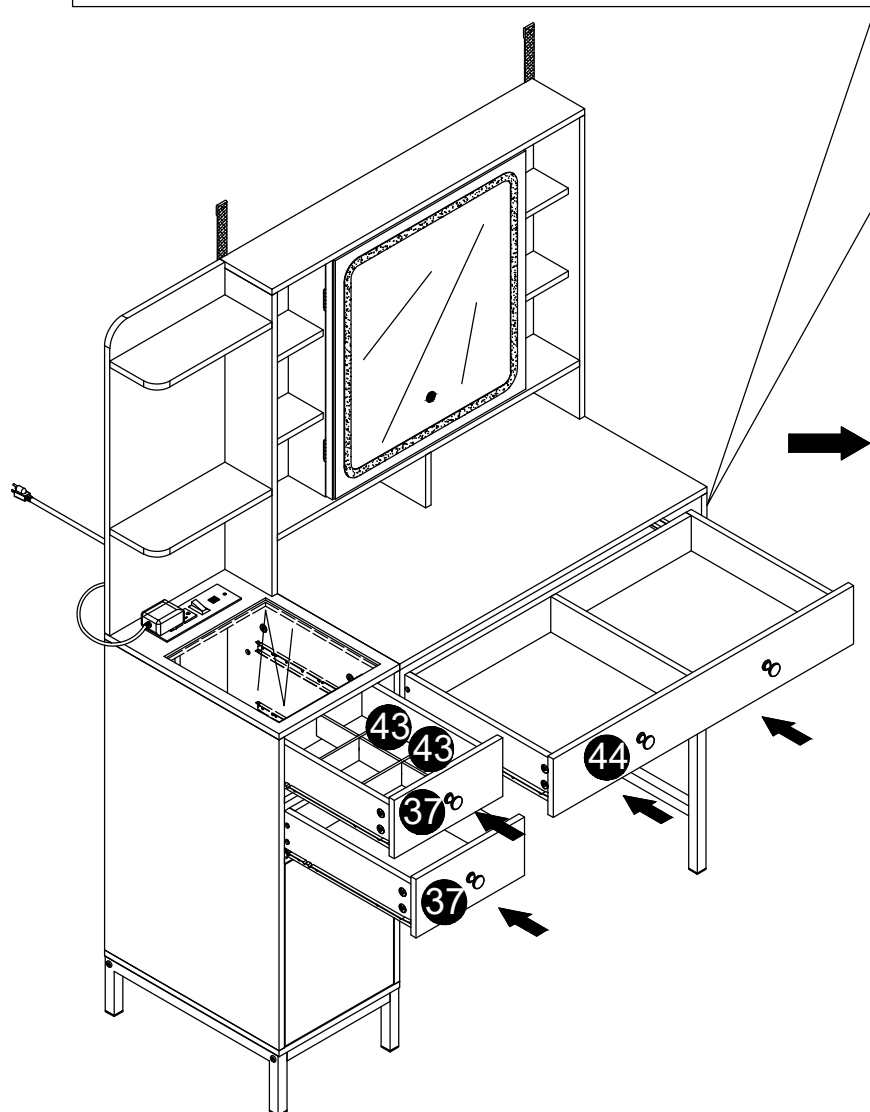
(1)

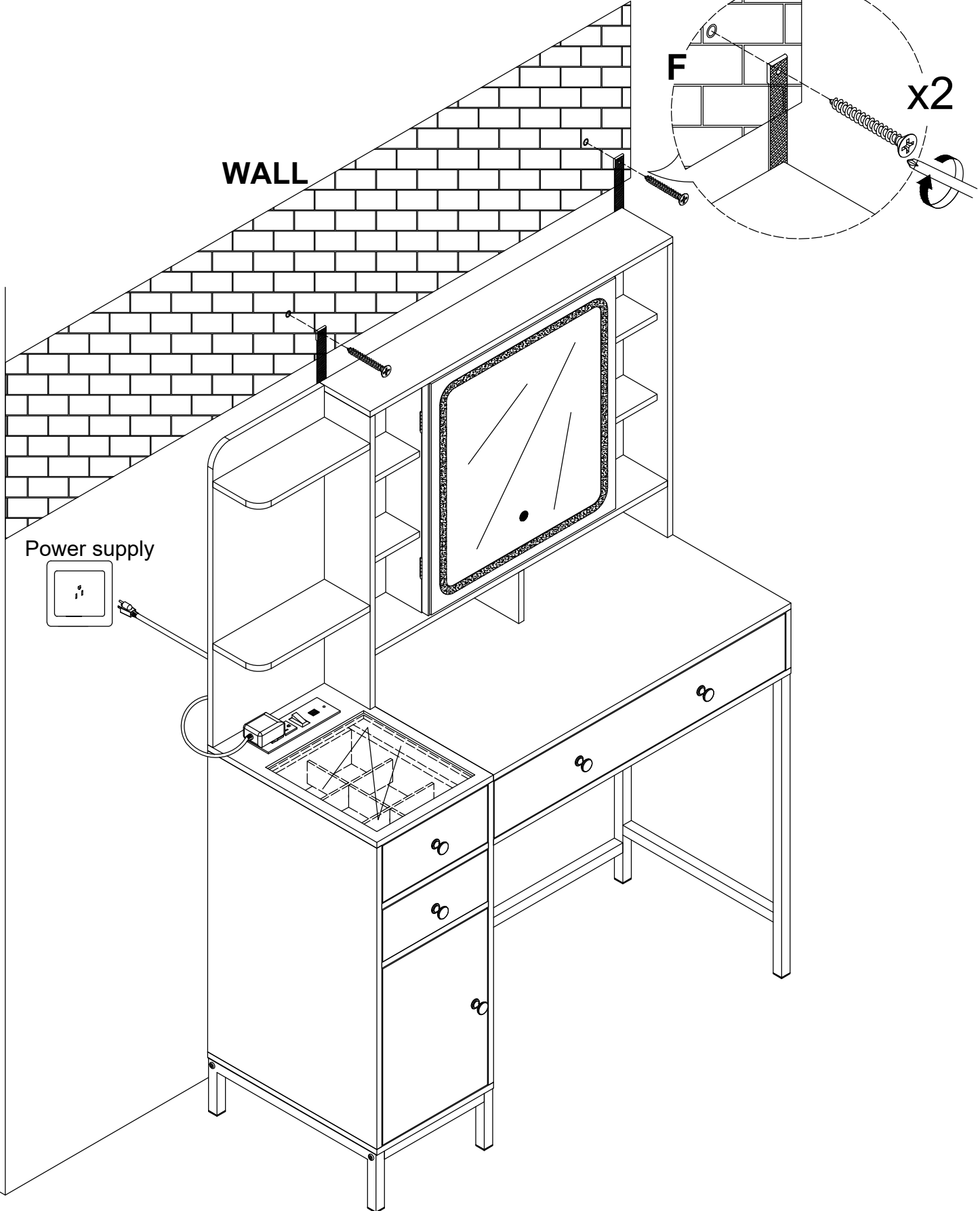
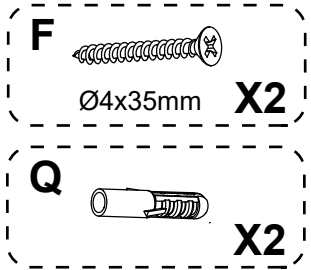
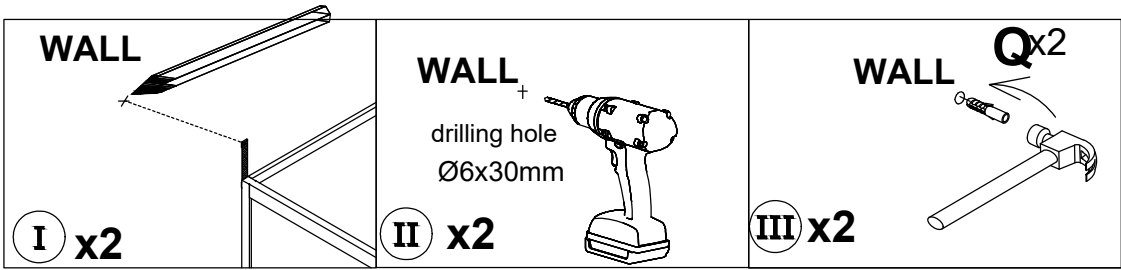


(2)



x3





Complete!

